



US00D714446S

(12) **United States Design Patent**
Sul

(10) **Patent No.:** **US D714,446 S**

(45) **Date of Patent:** **** Sep. 30, 2014**

(54) **OPERATION PANEL FOR MEDICAL DEVICE**

(71) Applicant: **Samsung Electronics Co., Ltd.**,
Suwon-si (KR)

(72) Inventor: **Sung-Woo Sul**, Yongin (KR)

(73) Assignee: **Samsung Electronics Co., Ltd.** (KR)

(**) Term: **14 Years**

(21) Appl. No.: **29/468,802**

(22) Filed: **Oct. 3, 2013**

(30) **Foreign Application Priority Data**

May 24, 2013 (KR) 30-2013-0027190

(51) **LOC (10) Cl.** **24-01**

(52) **U.S. Cl.**
USPC **D24/158**

(58) **Field of Classification Search**
USPC D24/158-161, 185, 186; 378/4, 15, 17,
378/21, 23-27, 62, 68, 196-198, 95, 98;
600/410, 421, 422; D13/162, 164, 168,
D13/171; D14/381, 388, 443; 200/296
See application file for complete search history.

(56) **References Cited**

U.S. PATENT DOCUMENTS

D551,347 S * 9/2007 Baba D24/158
D554,755 S * 11/2007 Iwasaki et al. D24/158
D558,351 S * 12/2007 Diener et al. D24/186
D566,660 S * 4/2008 Ludwig et al. D13/162
D569,352 S * 5/2008 Gordon et al. D13/168

7,841,575 B1 * 11/2010 Sliger 248/454
D638,943 S * 5/2011 Daniel D24/172
D671,216 S * 11/2012 Moon et al. D24/158
D681,814 S * 5/2013 Nenoki D24/158
D699,354 S * 2/2014 Chung et al. D24/158
2008/0279331 A1 * 11/2008 Huang 378/68
2010/0094132 A1 * 4/2010 Hansen et al. 600/443
2013/0121477 A1 * 5/2013 Lee et al. 378/198

* cited by examiner

Primary Examiner — Anhdao Doan

(74) *Attorney, Agent, or Firm* — Cantor Colburn LLP

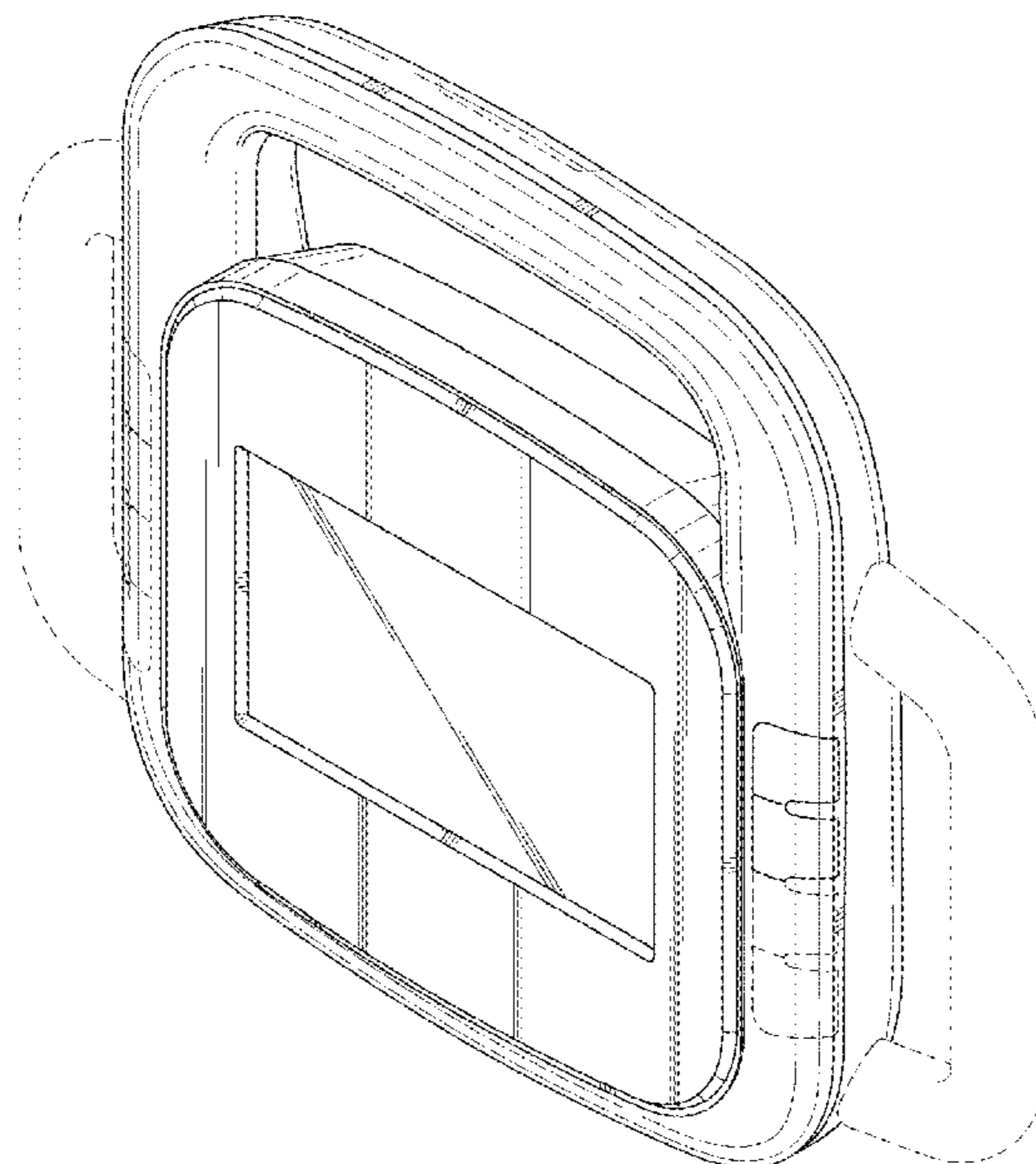
(57) **CLAIM**

The ornamental design for an operation panel for medical device, as shown and described.

DESCRIPTION

FIG. 1 is a top front perspective view of an operation panel for medical device showing my new design;
FIG. 2 is a front view thereof;
FIG. 3 is a rear view thereof;
FIG. 4 is a left side view thereof;
FIG. 5 is a right side view thereof;
FIG. 6 is a top view thereof;
FIG. 7 is a bottom view thereof; and,
FIG. 8 is another top front perspective view thereof, showing the operation panel being mounted in an X-ray environment. The broken lines illustrating portions of the operation panel for medical device are for environmental purposes only and form no part of the claimed design.

1 Claim, 4 Drawing Sheets



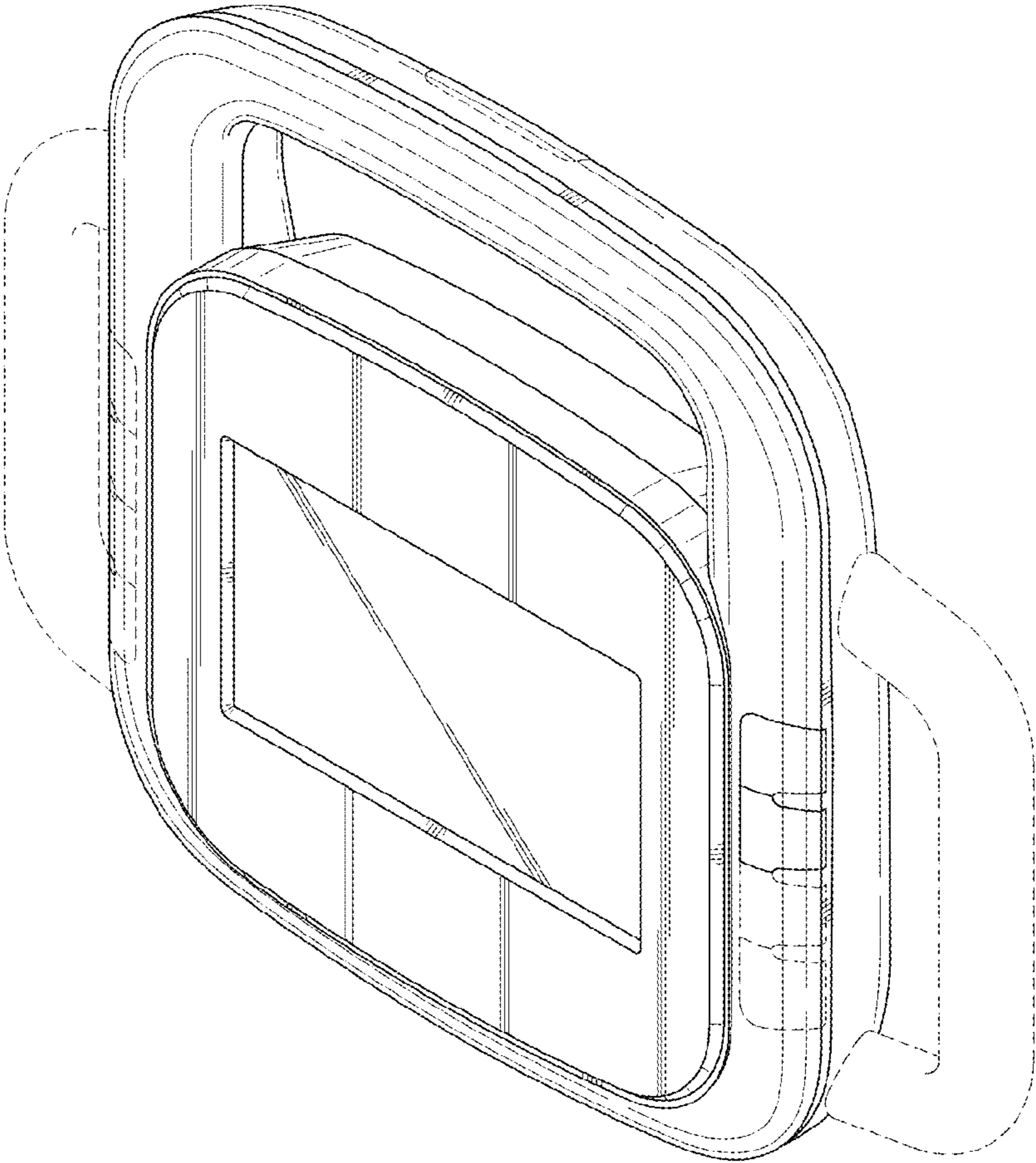


FIG.1

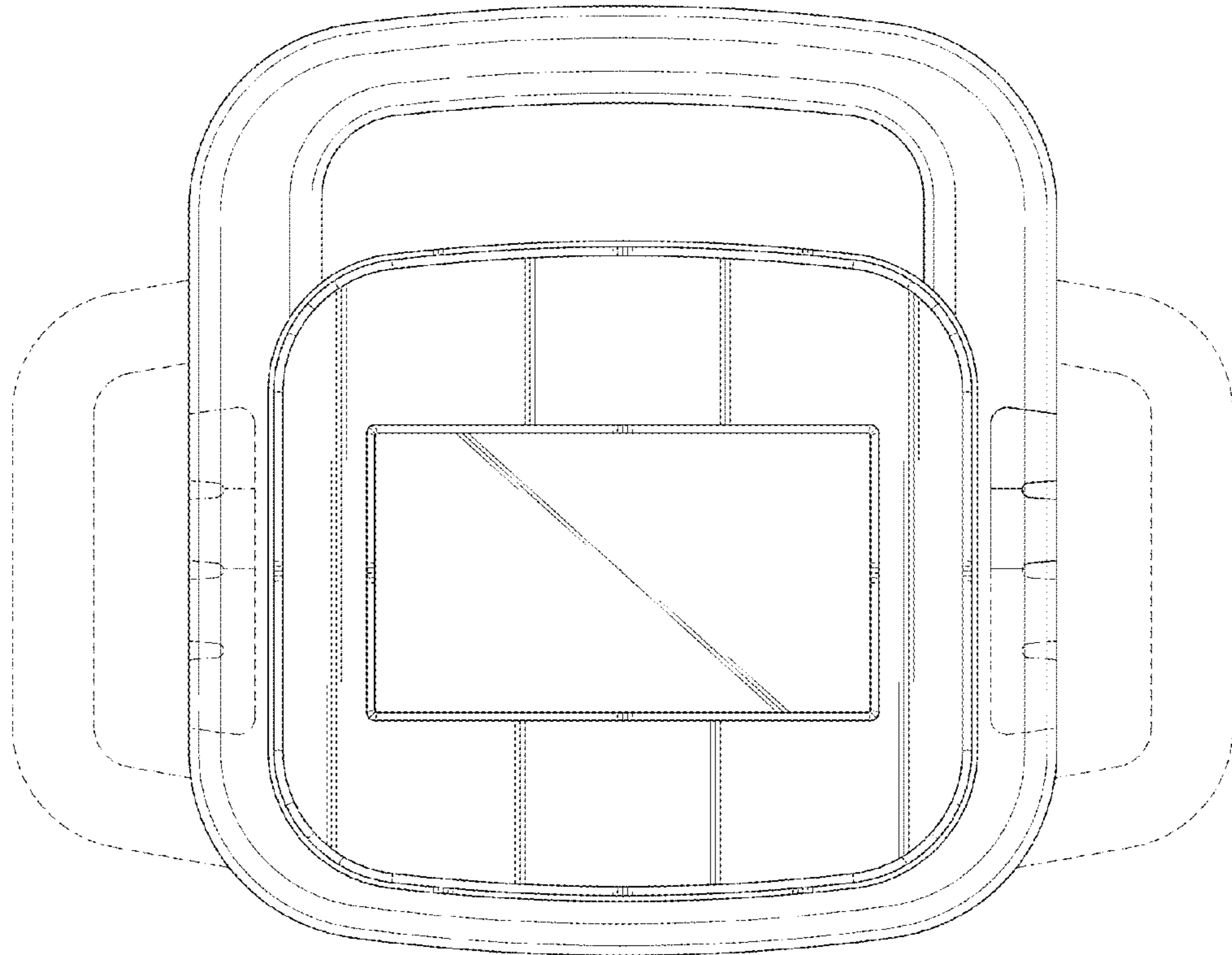


FIG. 2

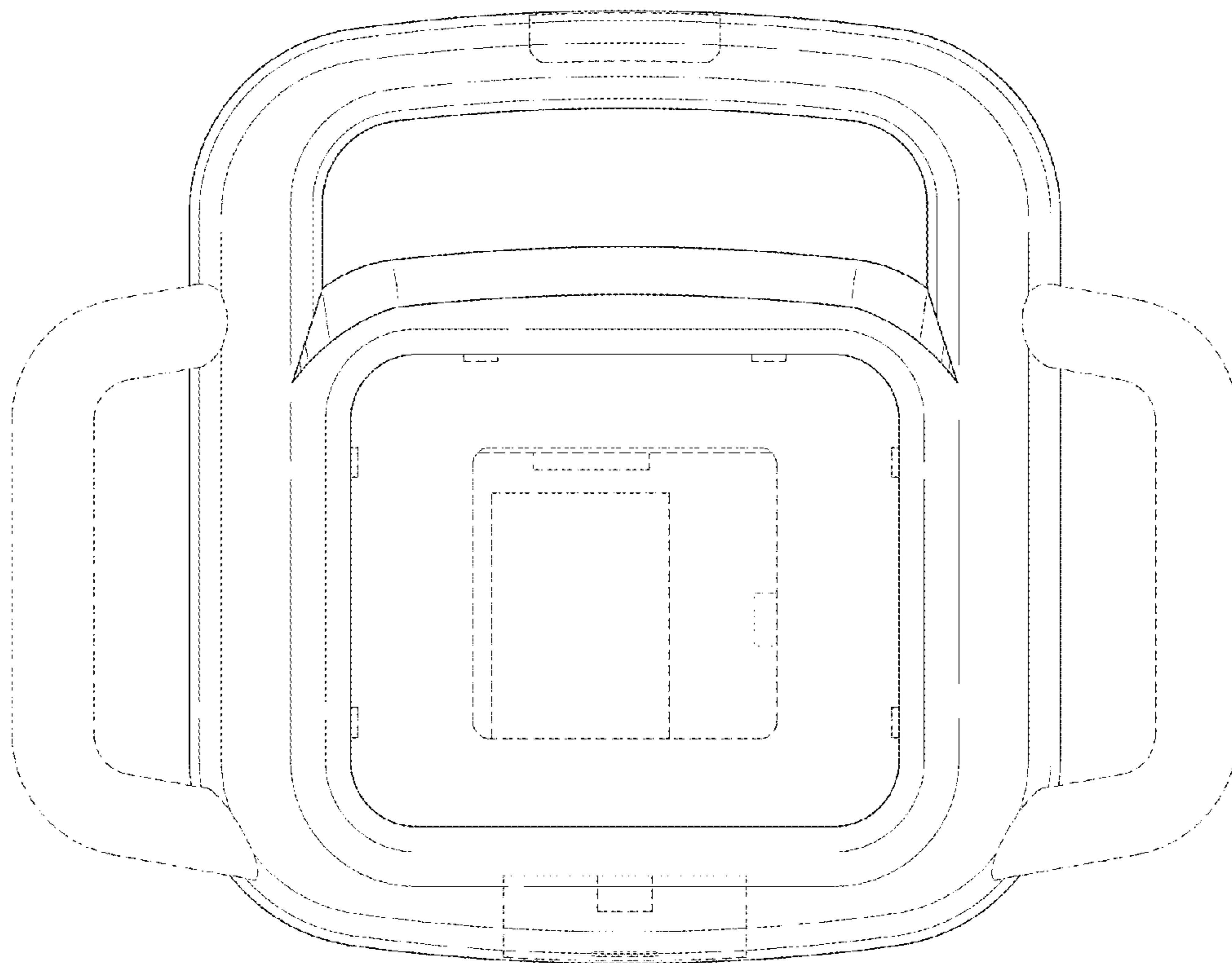


FIG. 3

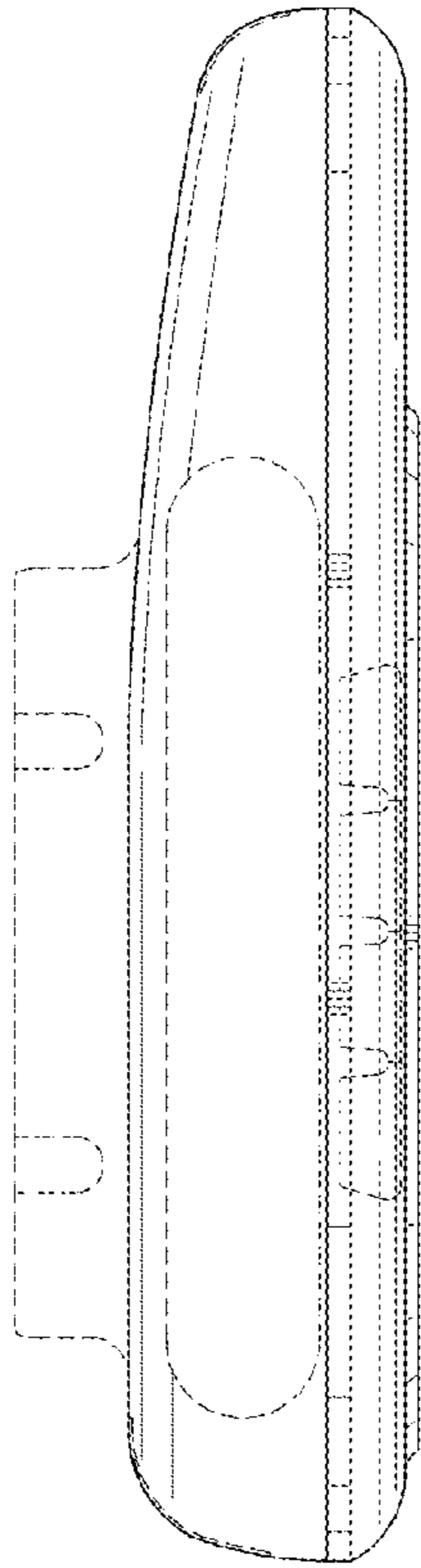


FIG. 4

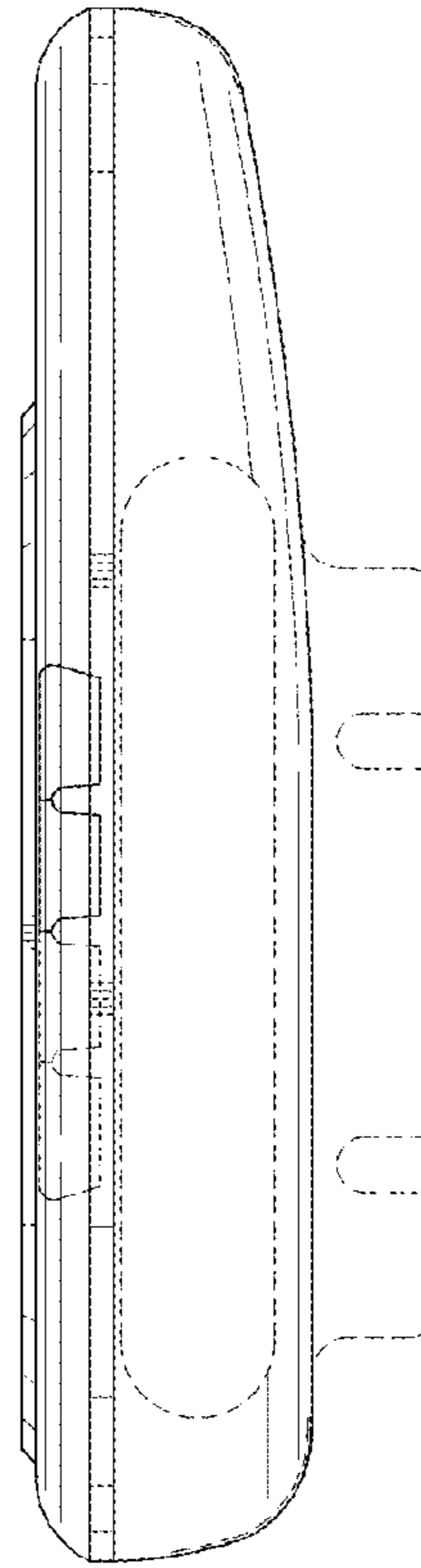


FIG. 5

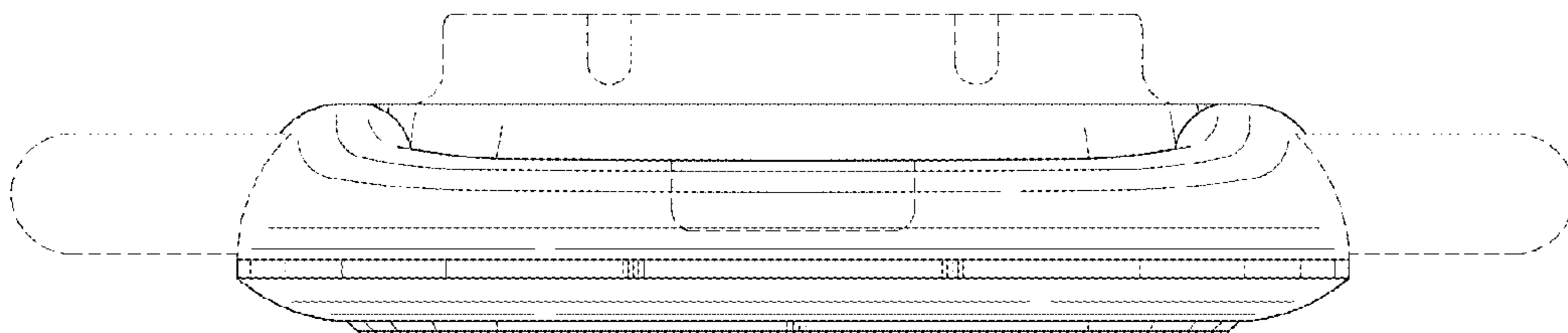


FIG. 6

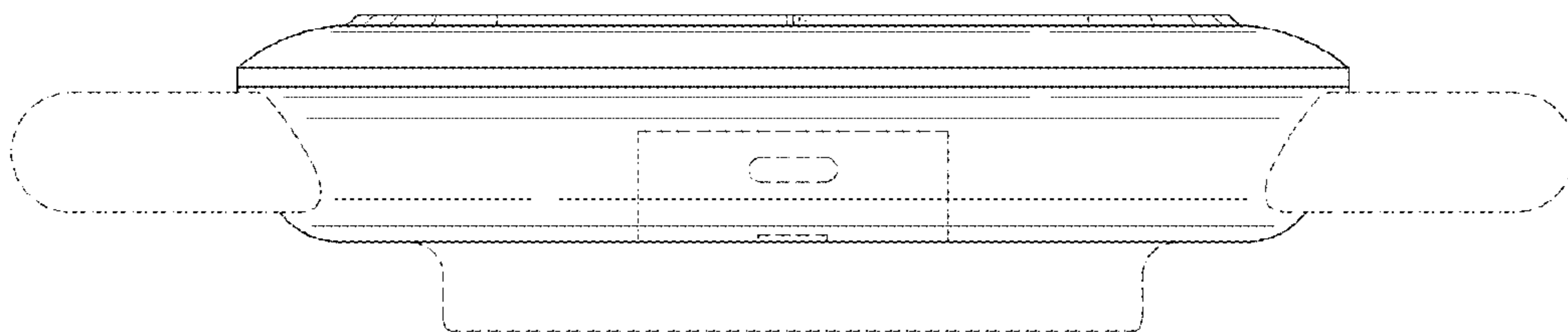


FIG. 7

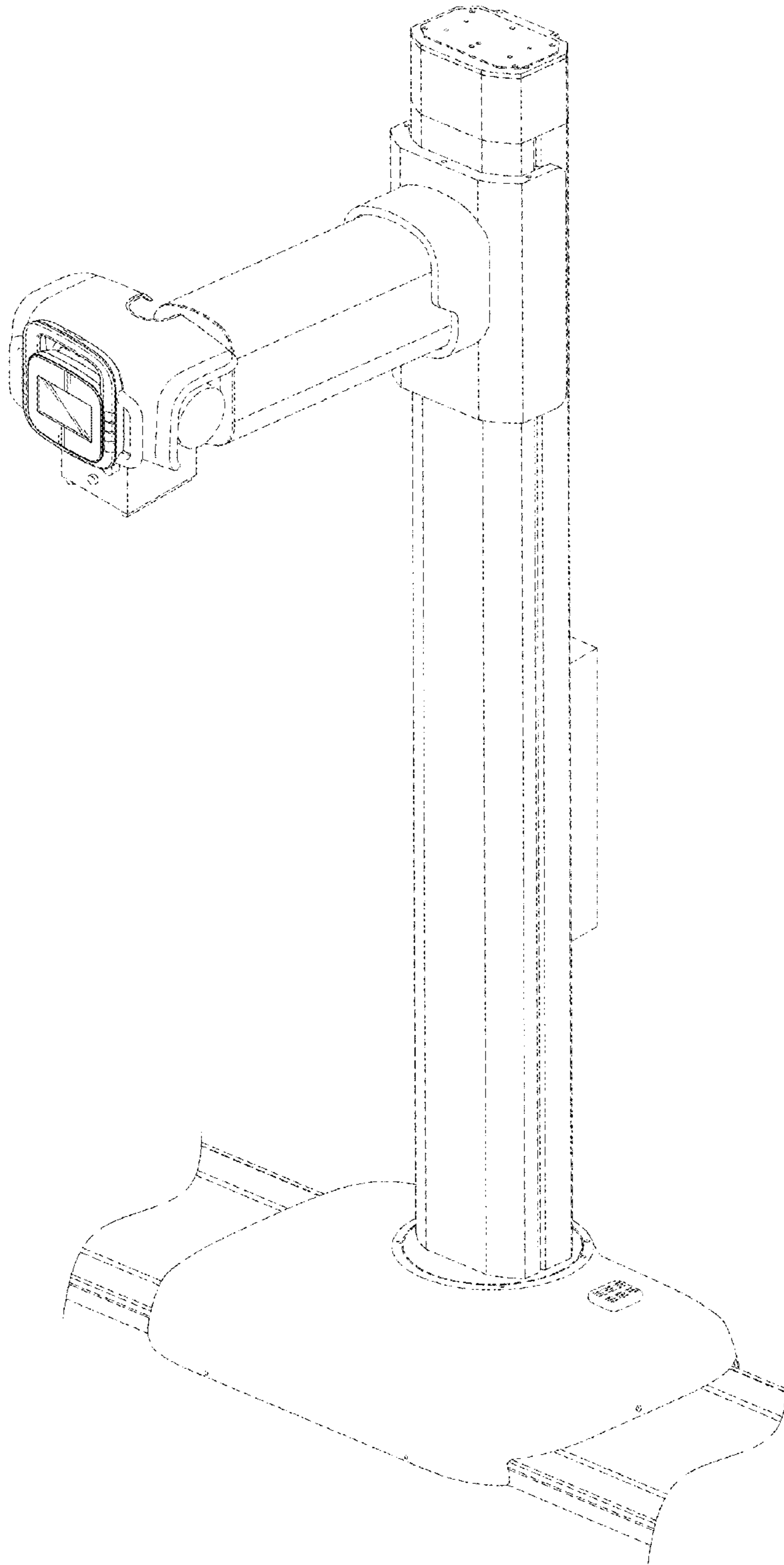


FIG. 8