



US00D714444S

(12) **United States Design Patent**  
**Ogura**

(10) **Patent No.:** **US D714,444 S**

(45) **Date of Patent:** **\*\* Sep. 30, 2014**

(54) **X-RAY DIGITAL IMAGING DEVICE**

(71) Applicant: **FUJIFILM Corporation**, Tokyo (JP)

(72) Inventor: **Ryosuke Ogura**, Ashigarakami-gun (JP)

(73) Assignee: **FUJIFILM Corporation**, Tokyo (JP)

(\*\*) Term: **14 Years**

(21) Appl. No.: **29/466,217**

(22) Filed: **Sep. 5, 2013**

(30) **Foreign Application Priority Data**

Mar. 28, 2013 (JP) ..... 2013-007011

(51) **LOC (10) Cl.** ..... **24-01**

(52) **U.S. Cl.**  
USPC ..... **D24/158**

(58) **Field of Classification Search**  
USPC ..... D24/158-161, 186; 378/169, 171, 172;  
250/370.09, 484.04, 582; D14/481,  
D14/482, 435; D16/250  
See application file for complete search history.

(56) **References Cited**

**U.S. PATENT DOCUMENTS**

5,990,487 A \* 11/1999 Ngo ..... 250/589  
D450,848 S \* 11/2001 Hayashi ..... D24/158

D546,453 S \* 7/2007 McNair, Jr. .... D24/161  
7,381,964 B1 \* 6/2008 Kump et al. .... 250/370.11  
D601,254 S \* 9/2009 Weichert ..... D24/161  
D611,149 S \* 3/2010 Riley ..... D24/158  
7,852,985 B2 \* 12/2010 Liu et al. .... 250/370.09  
D659,249 S 5/2012 Ogura  
D683,459 S \* 5/2013 Haltof et al. .... D24/161

\* cited by examiner

*Primary Examiner* — Anhdao Doan

(74) *Attorney, Agent, or Firm* — Sughrue Mion, PLLC

(57) **CLAIM**

The ornamental design for a X-ray digital imaging device, as shown and described.

**DESCRIPTION**

FIG. 1 is a top, front and side perspective view of an X-ray digital imaging device showing my new design;  
FIG. 2 is a top, rear and side perspective view thereof;  
FIG. 3 is a front elevational view thereof;  
FIG. 4 is a rear elevational view thereof;  
FIG. 5 is a top plan view thereof; and,  
FIG. 6 is an enlarged partial cross-sectional view of a portion defined between arrowheads VI-VI of FIG. 3, in which internal structure thereof is omitted.

The portions of the x-ray digital imaging device in broken lines are shown for illustrative purposes only and form no part of the claimed design; the two-dot chain lines immediately adjacent the shaded areas represent the bounds of the claim.

**1 Claim, 5 Drawing Sheets**

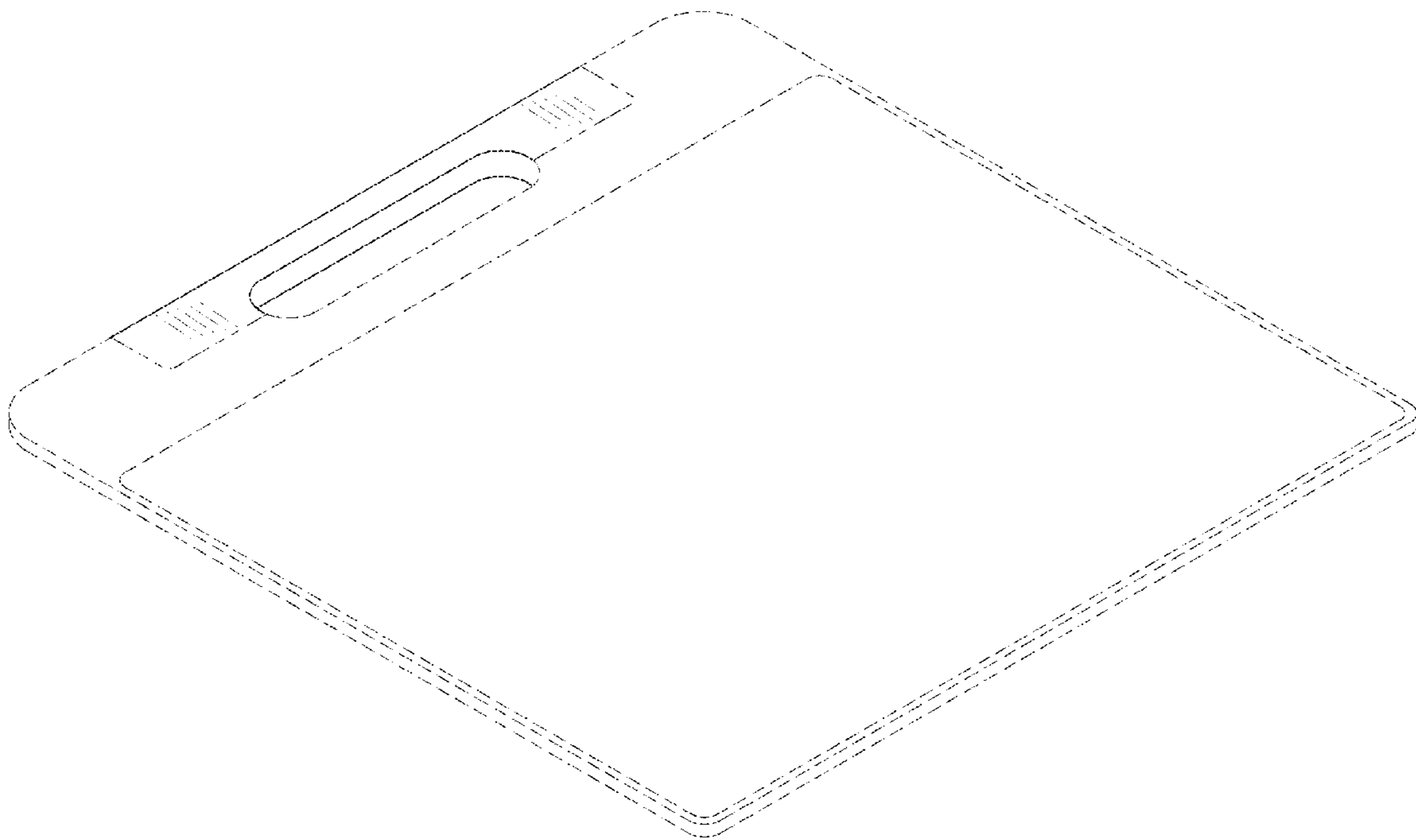


FIG. 1

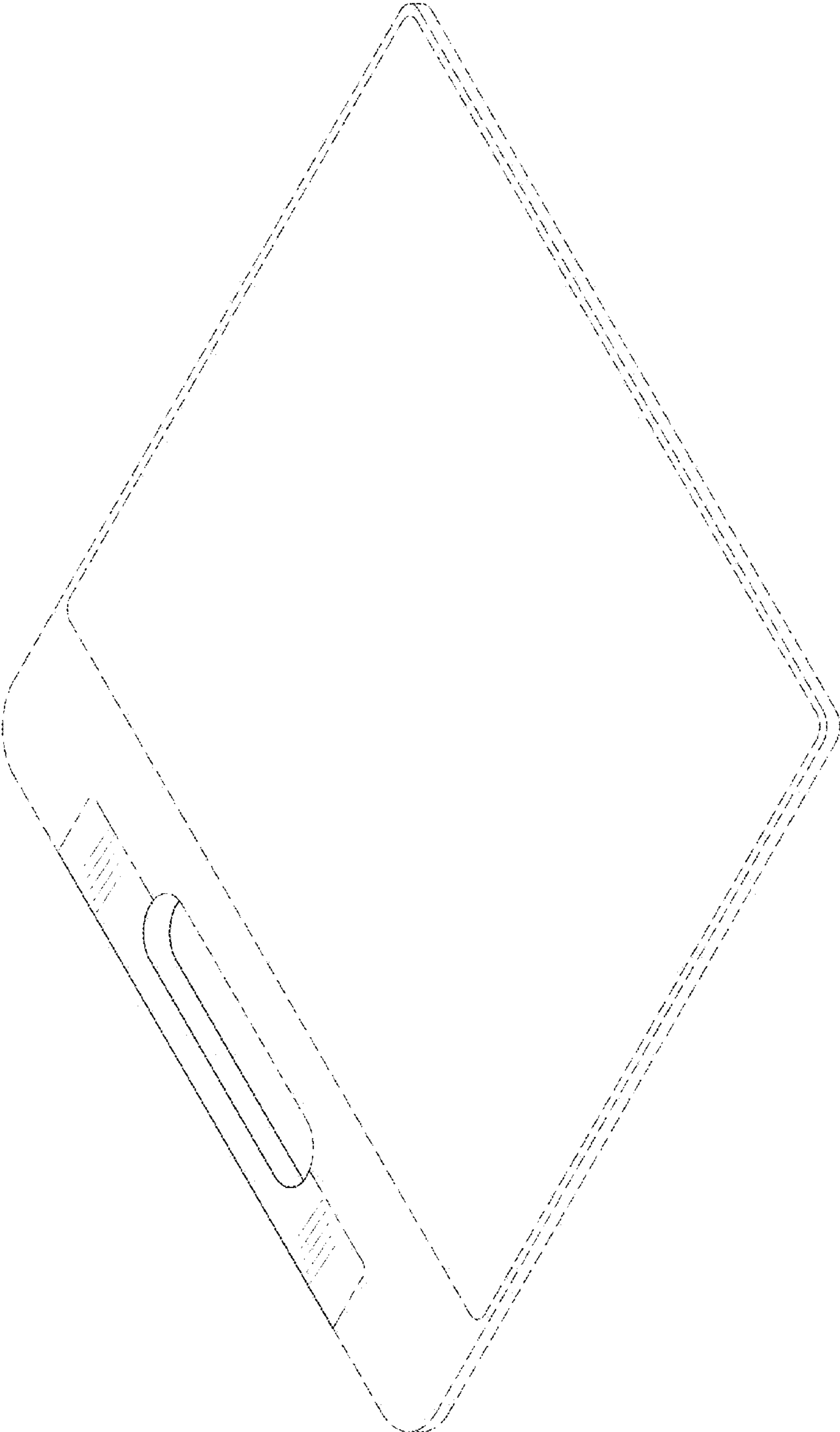


FIG. 2

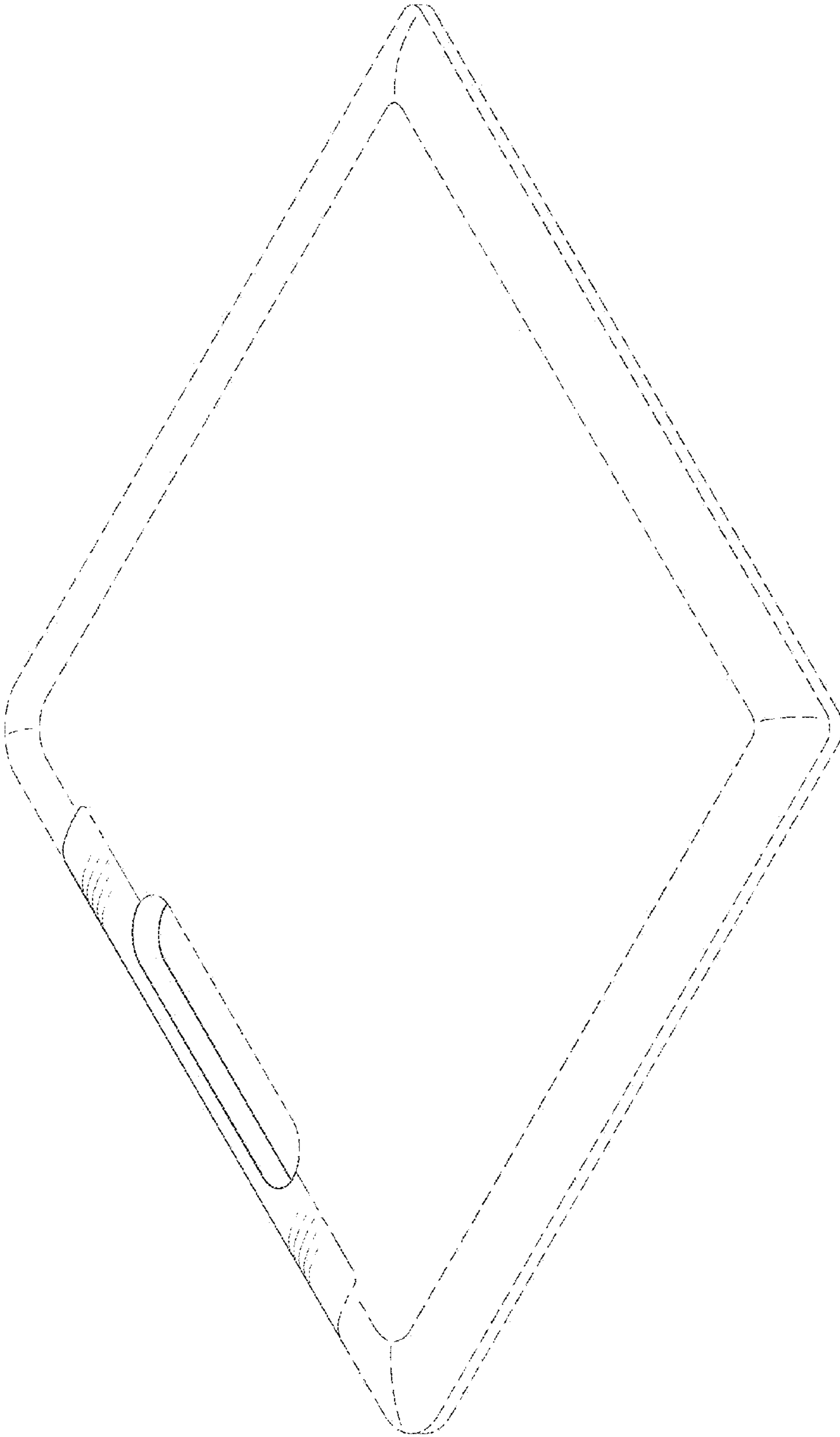


FIG.3

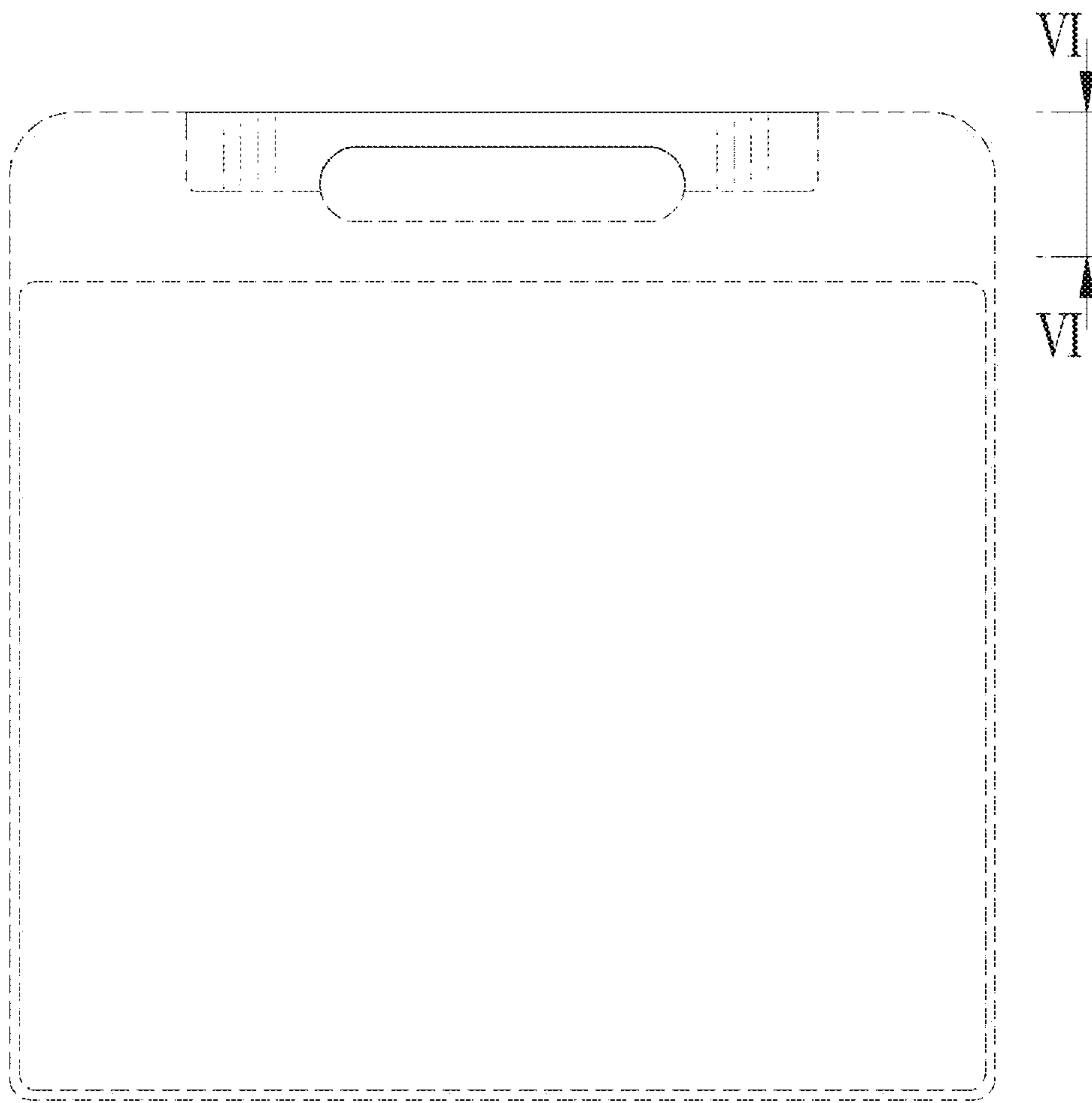


FIG.4

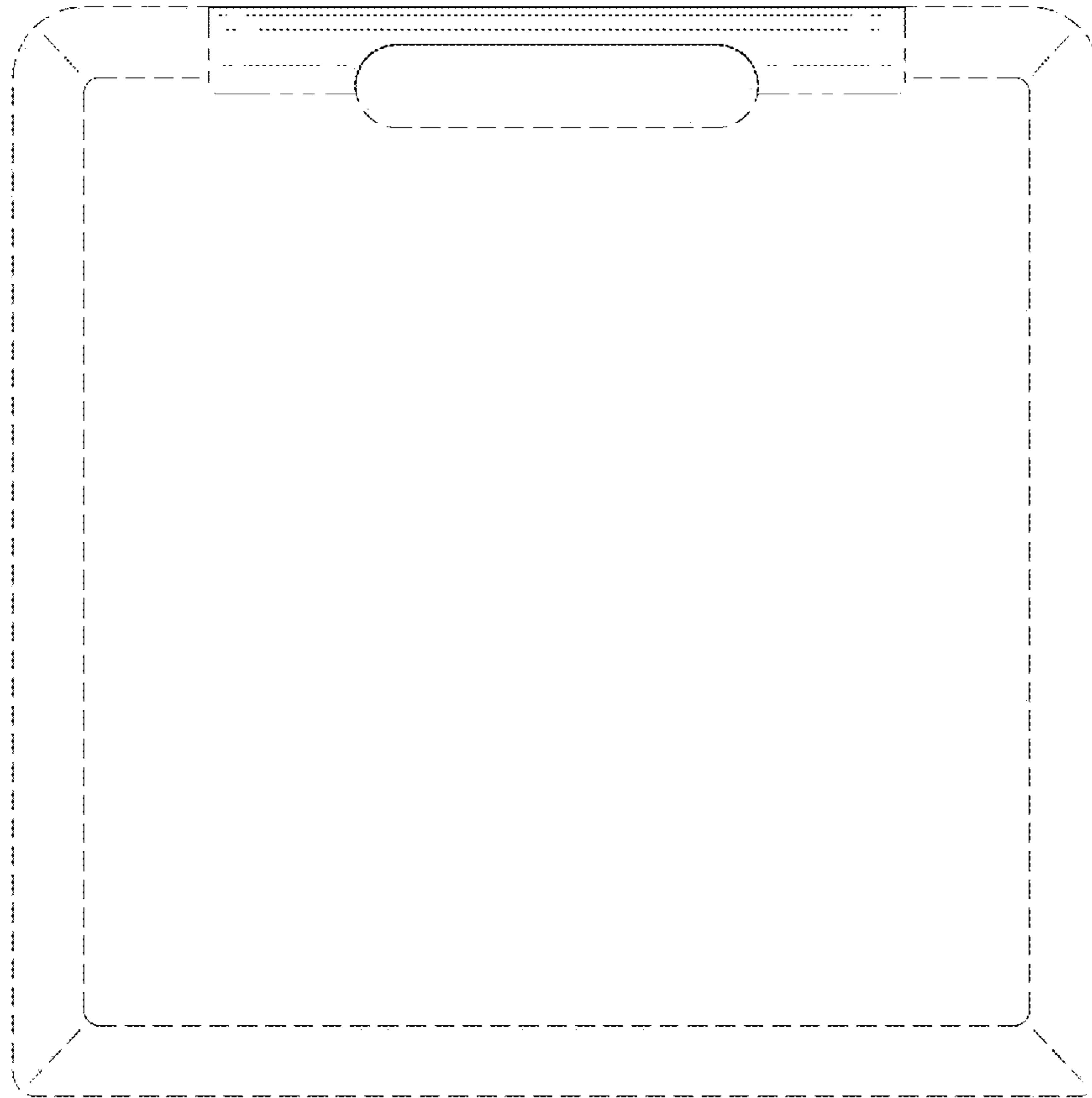


FIG.5

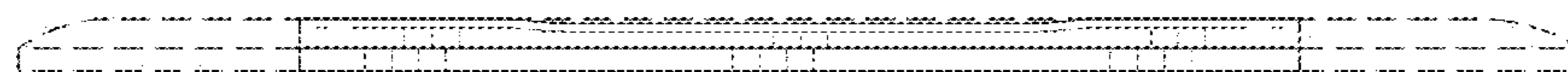


FIG.6

