

US00D714441S

(12) **United States Design Patent**  
**Lowsky**

(10) **Patent No.:** **US D714,441 S**

(45) **Date of Patent:** **\*\* Sep. 30, 2014**

(54) **ORAL-MOTOR THERAPY DEVICE**

(75) Inventor: **Evan Lowsky**, Columbia, SC (US)

(73) Assignee: **ARK Therapeutic Services, Inc.**,  
Columbia, SC (US)

(\*\*) Term: **14 Years**

(21) Appl. No.: **29/416,195**

(22) Filed: **Mar. 20, 2012**

(51) **LOC (10) Cl.** ..... **24-02**

(52) **U.S. Cl.**  
USPC ..... **D24/152**

(58) **Field of Classification Search**

USPC ..... D24/146-147, 133, 152, 154, 200, 214;  
D8/80, 83, 97; D4/138, 199; D28/30;  
D32/49; D26/41, 45, 48, 50; 15/143.1,  
15/176.2, 105, 160, 167.1, 167.2;  
601/141; 433/85, 141, 229; D7/653,  
D7/642, 401.2

See application file for complete search history.

(56) **References Cited**

**U.S. PATENT DOCUMENTS**

4,660,582	A *	4/1987	Taylor	.....	15/167.1
D315,408	S *	3/1991	Duk	.....	D24/214
D354,624	S *	1/1995	Gupta	.....	D24/146
5,711,759	A *	1/1998	Smith et al.	.....	601/139
D415,569	S *	10/1999	Wyrwa et al.	.....	D24/214
7,070,603	B2 *	7/2006	Eicoff	.....	606/162
D542,541	S	5/2007	Lowsky, Jr.		
D674,905	S	1/2013	Lowsky		

**OTHER PUBLICATIONS**

Catalog excerpt from ARK Therapeutic Services, Inc., Speech Therapy Tools and Other Healthcare Products Catalog 2011-2012.

\* cited by examiner

*Primary Examiner* — Wan Laymon

(74) *Attorney, Agent, or Firm* — Nelson Mullins Riley & Scarborough, LLP

(57) **CLAIM**

The ornamental design for an oral-motor therapy device, as shown and described.

**DESCRIPTION**

FIG. 1 is a front perspective view of an oral-motor therapy device in accordance with a first embodiment of the present invention;

FIG. 2 is a top plan view thereof;

FIG. 3 is a right side plan view thereof;

FIG. 4 is a bottom side plan view thereof;

FIG. 5 is a left side plan view thereof;

FIG. 6 is a back side elevation view thereof;

FIG. 7 is a front side elevational thereof;

FIG. 8 is a front perspective view of an oral-motor therapy device in accordance with a second embodiment of the present invention;

FIG. 9 is a front perspective view of an oral-motor therapy device in accordance with a third embodiment of the present invention;

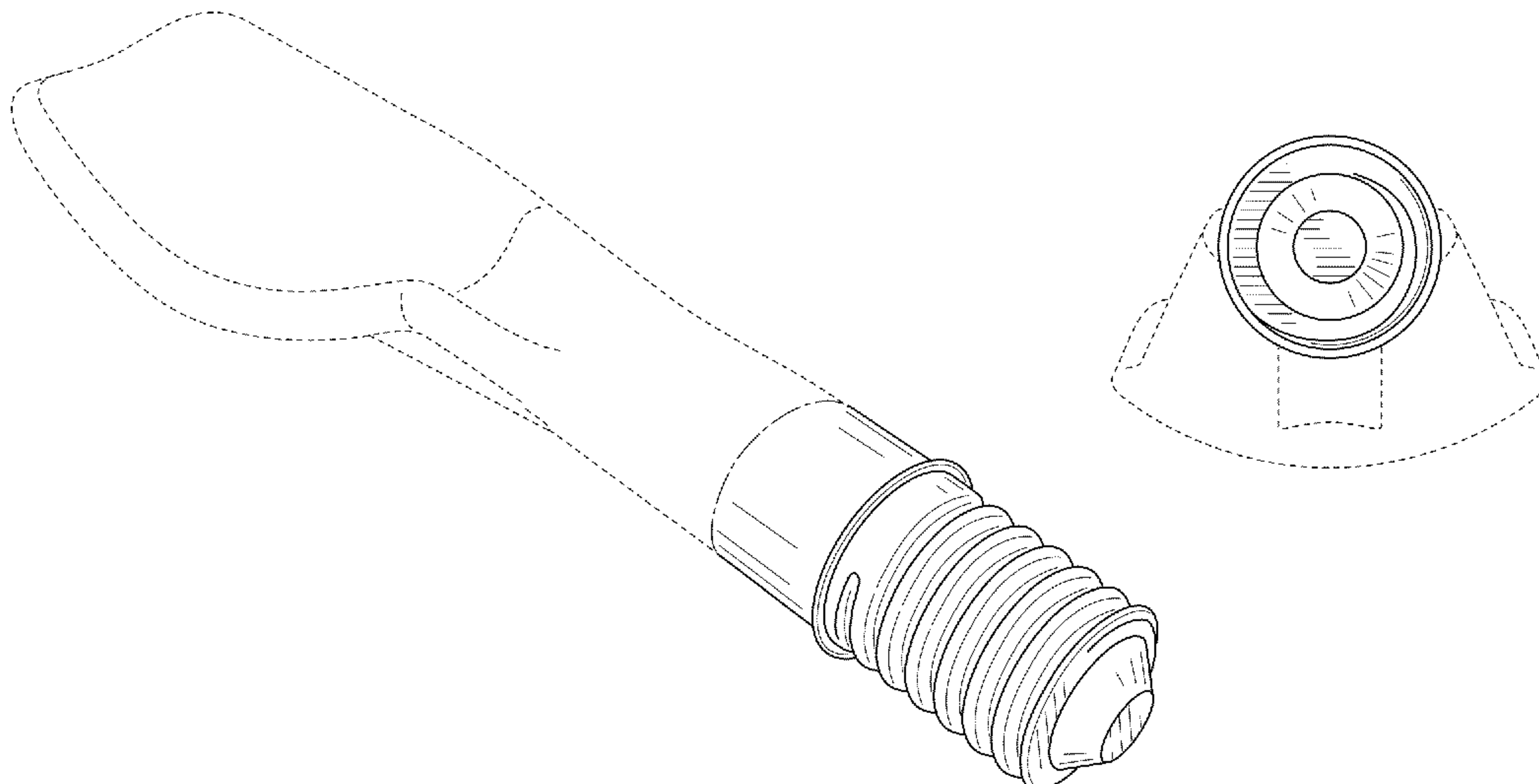
FIG. 10 is a front perspective view of an oral-motor therapy device in accordance with a fourth embodiment of the present invention;

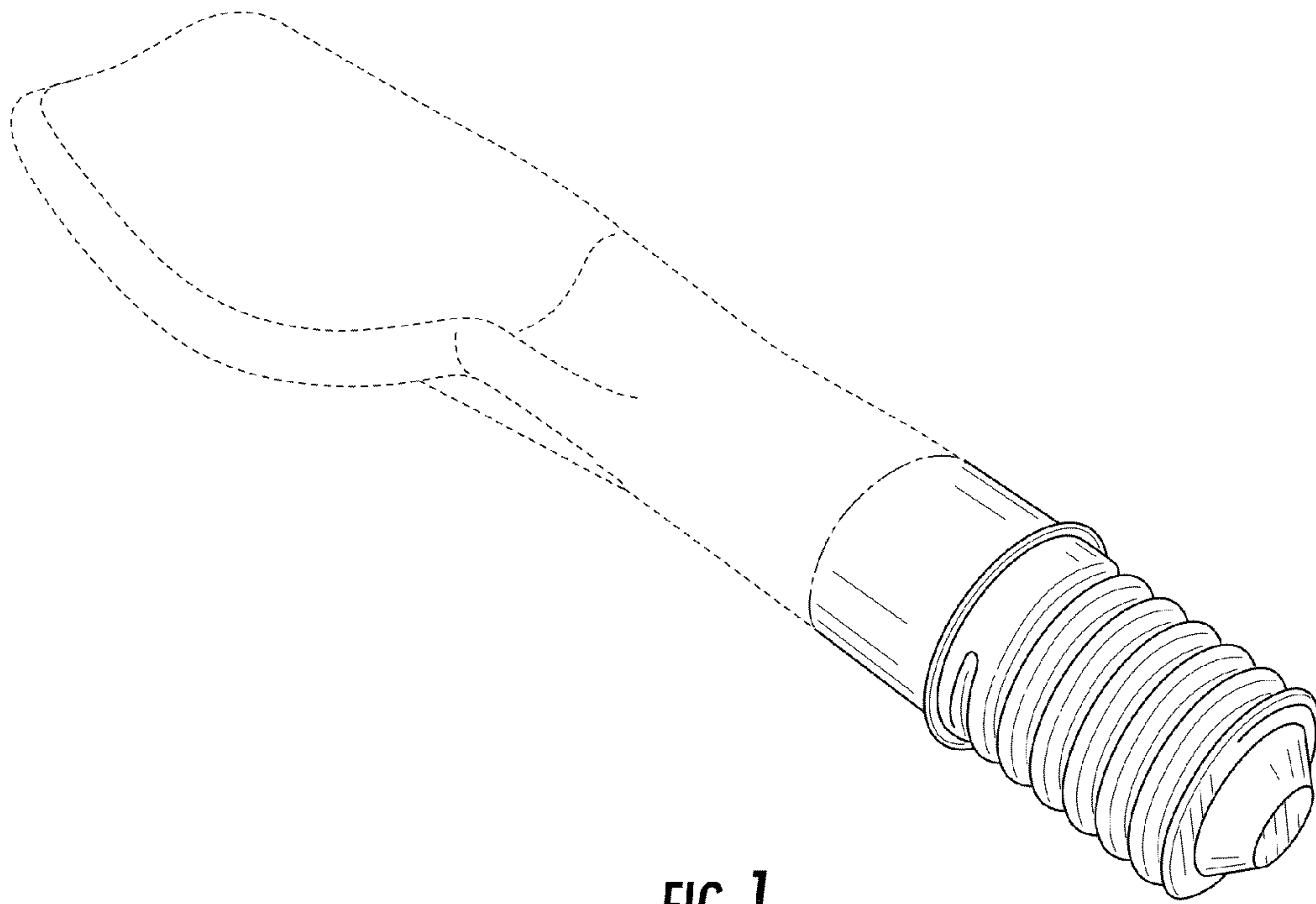
FIG. 11 is a front perspective view of an oral-motor therapy device in accordance with a fifth embodiment of the present invention; and,

FIG. 12 is a front perspective view of an oral-motor therapy device in accordance with a sixth embodiment of the present invention.

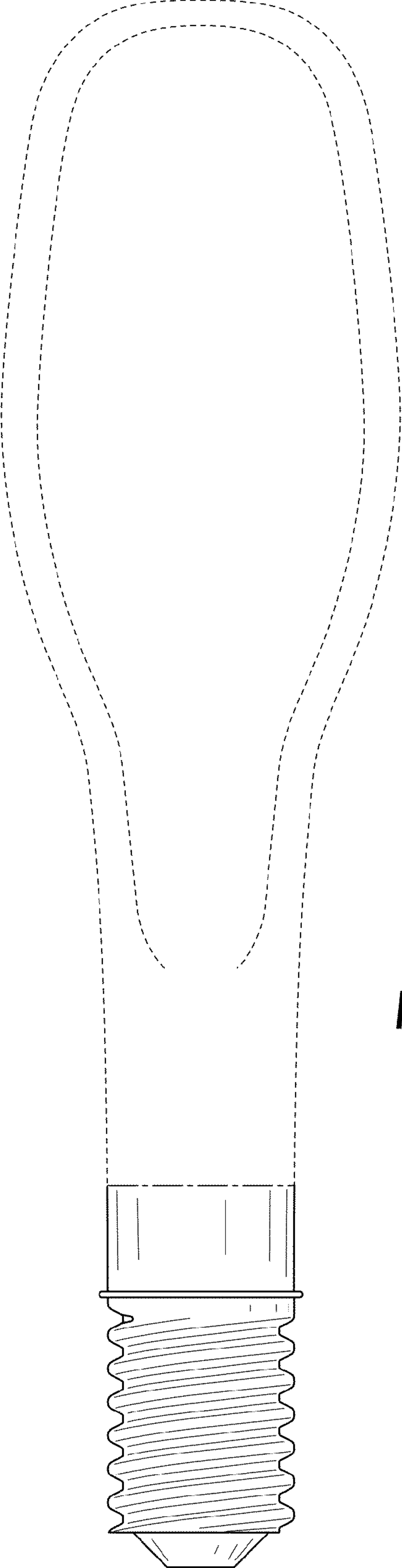
The dash-dot-dash broken lines and the even dash broken lines immediately adjacent the shaded areas define the boundary lines of the claimed design. The even dash broken lines shown in the figures are included for the purpose of illustrating environmental structure and form no part of the claimed design.

**1 Claim, 9 Drawing Sheets**

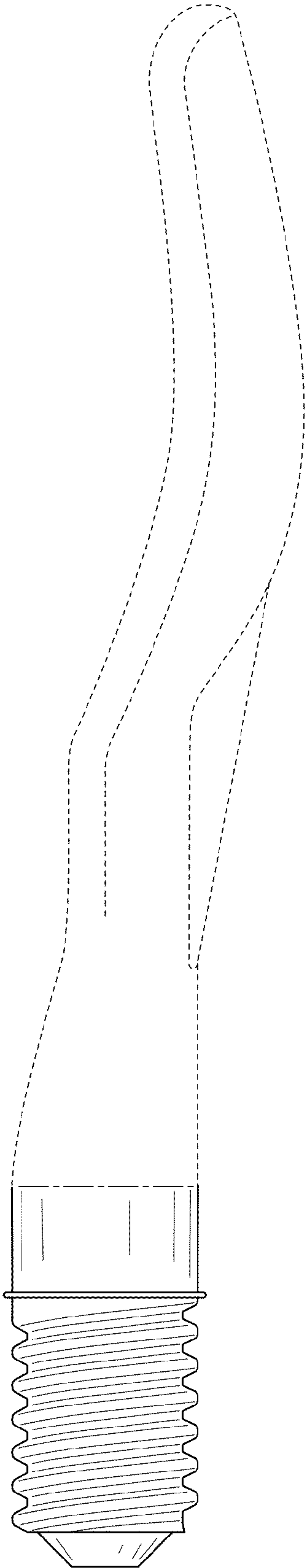




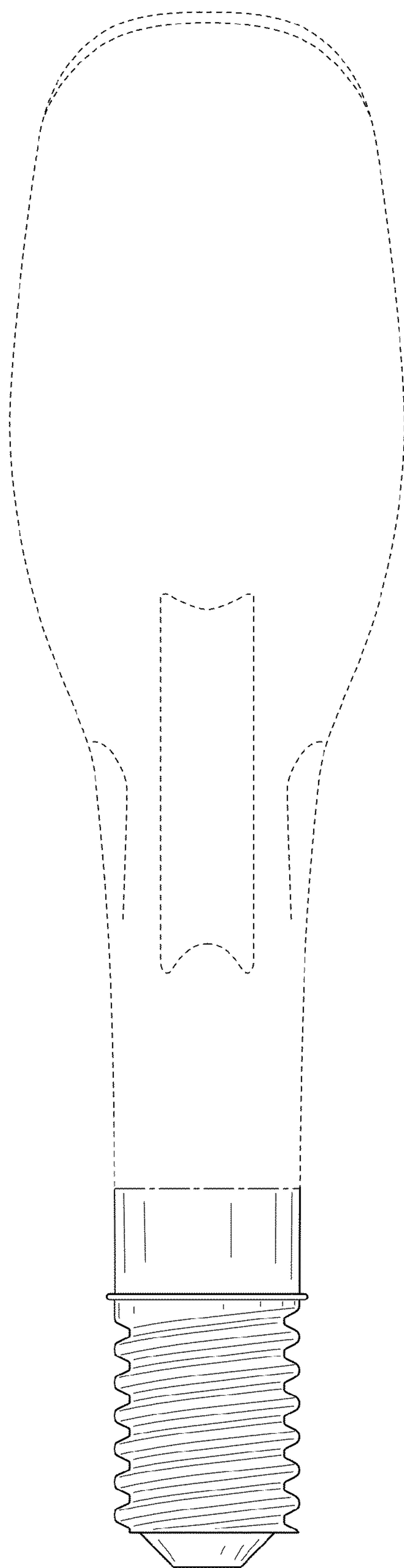
**FIG. 1**



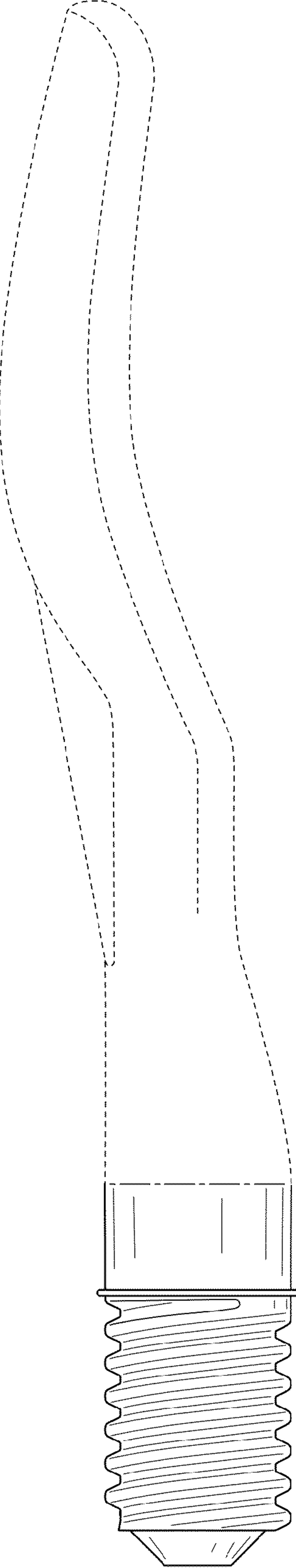
**FIG. 2**



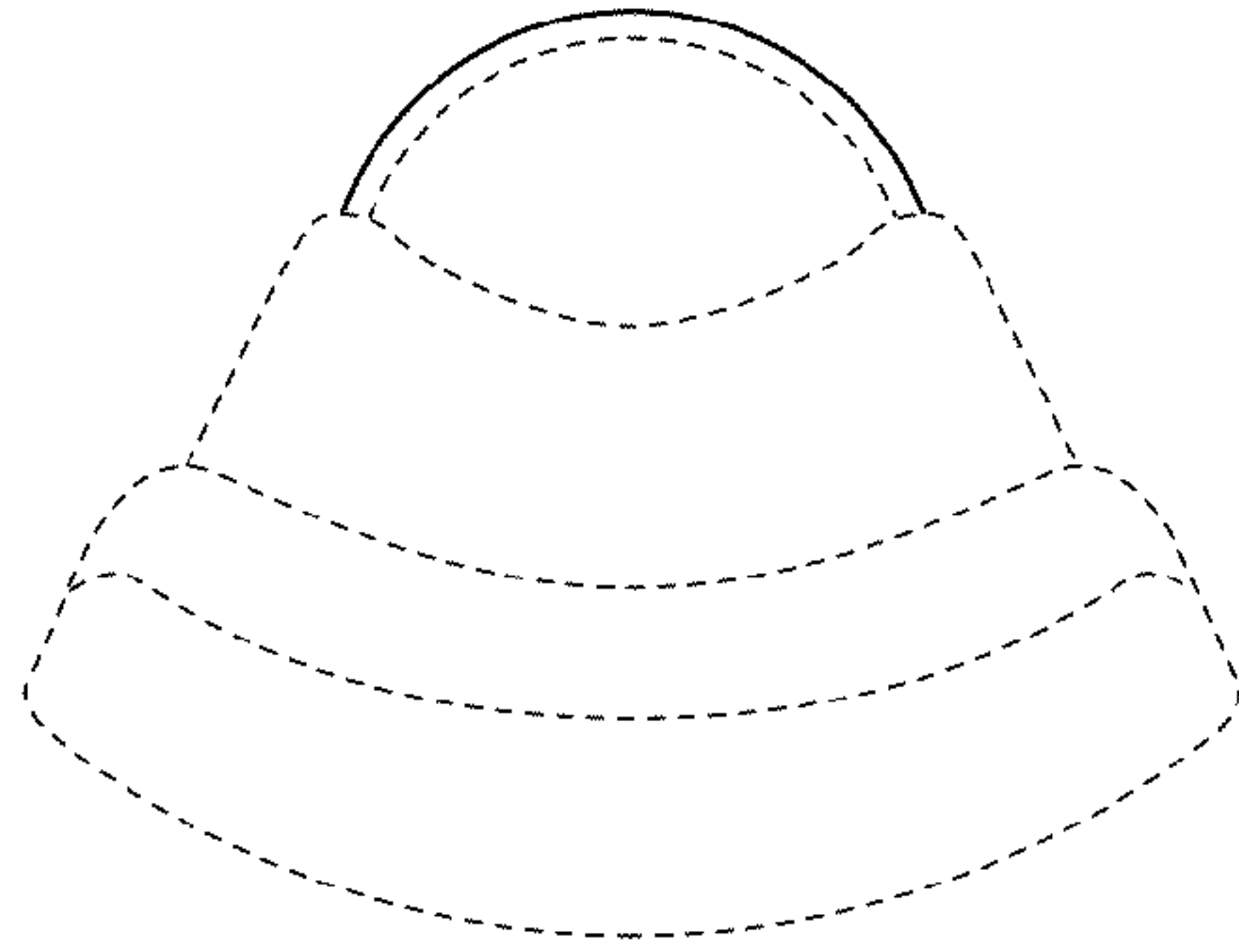
**FIG. 3**



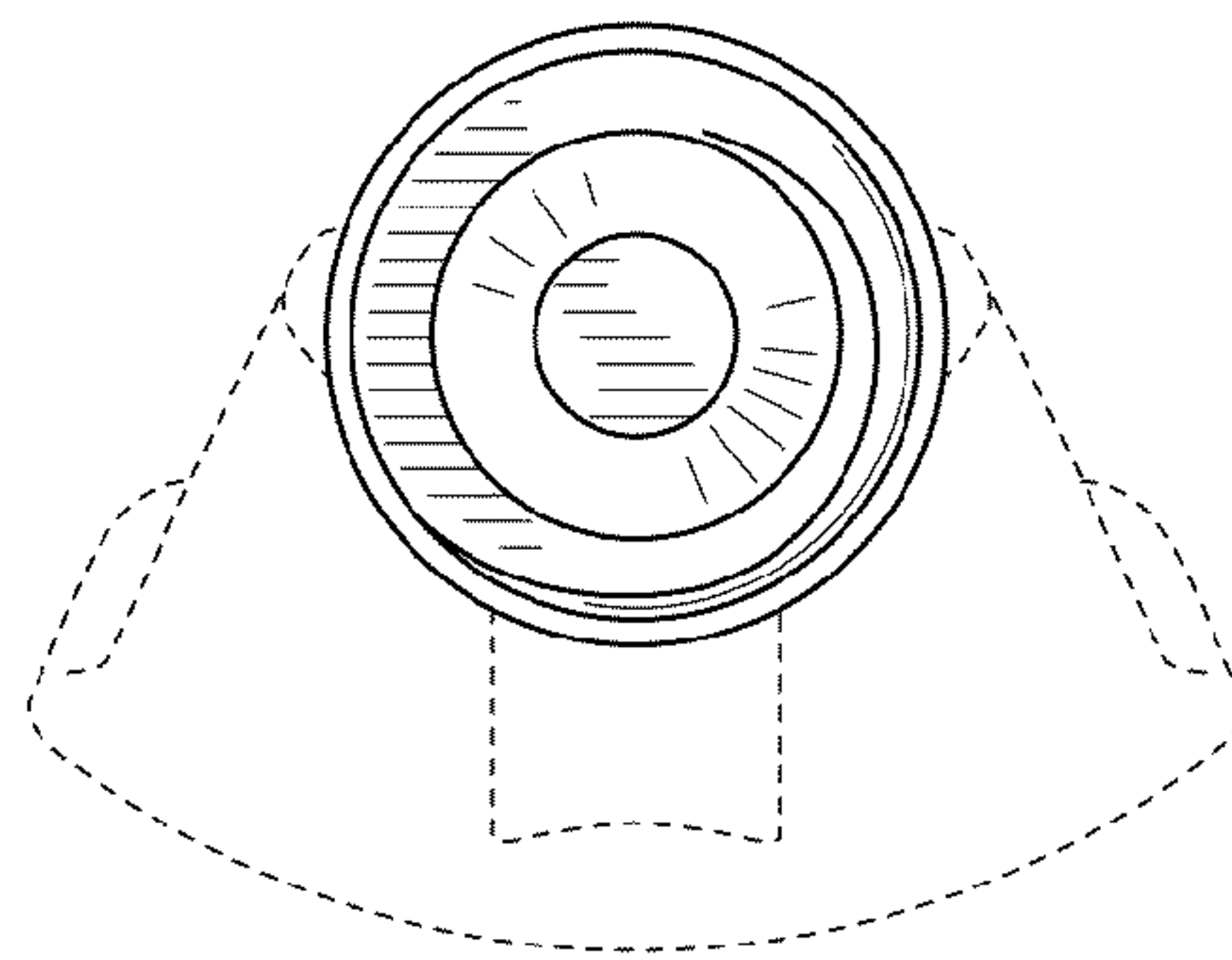
**FIG. 4**



**FIG. 5**

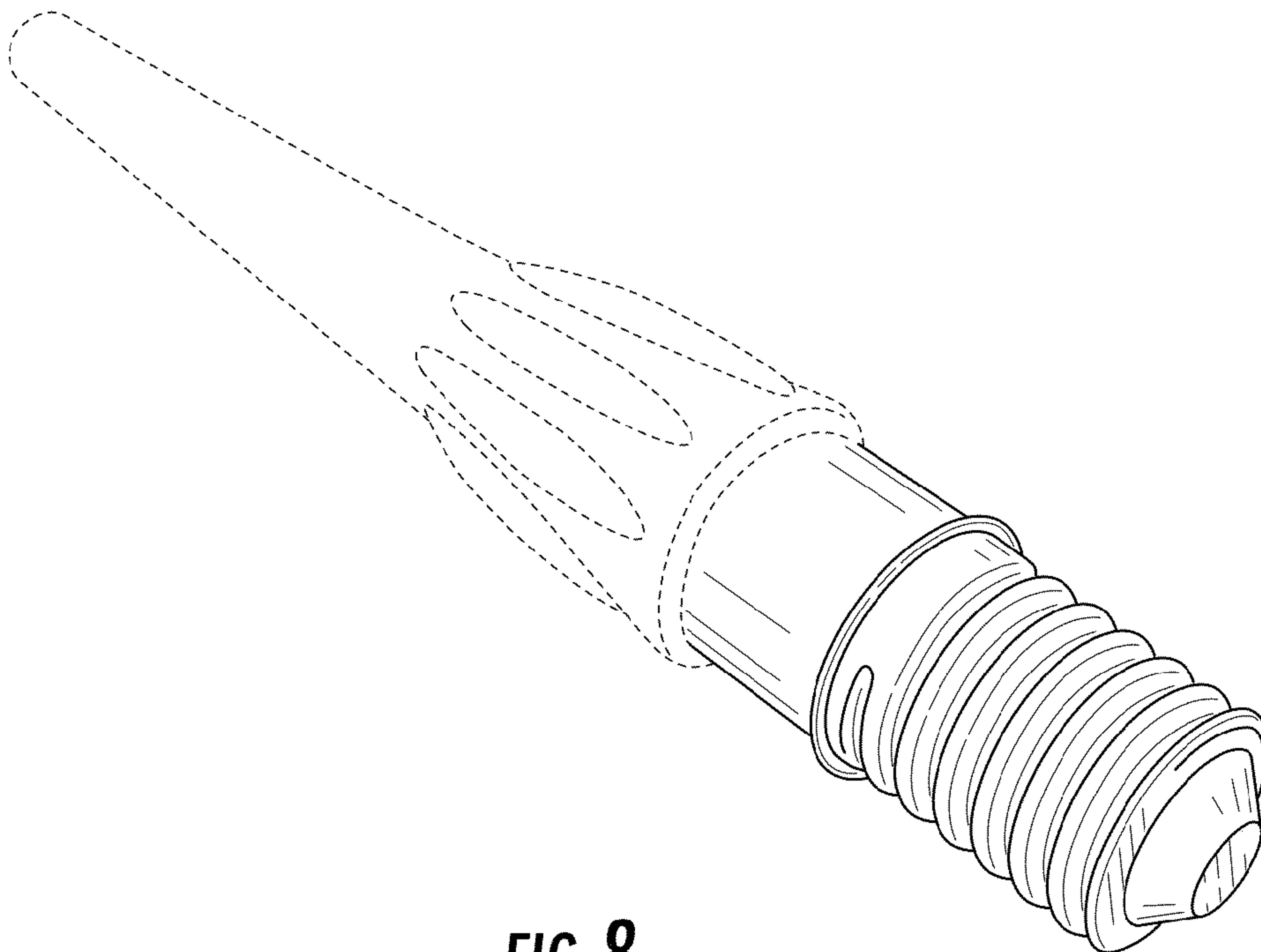


**FIG. 6**

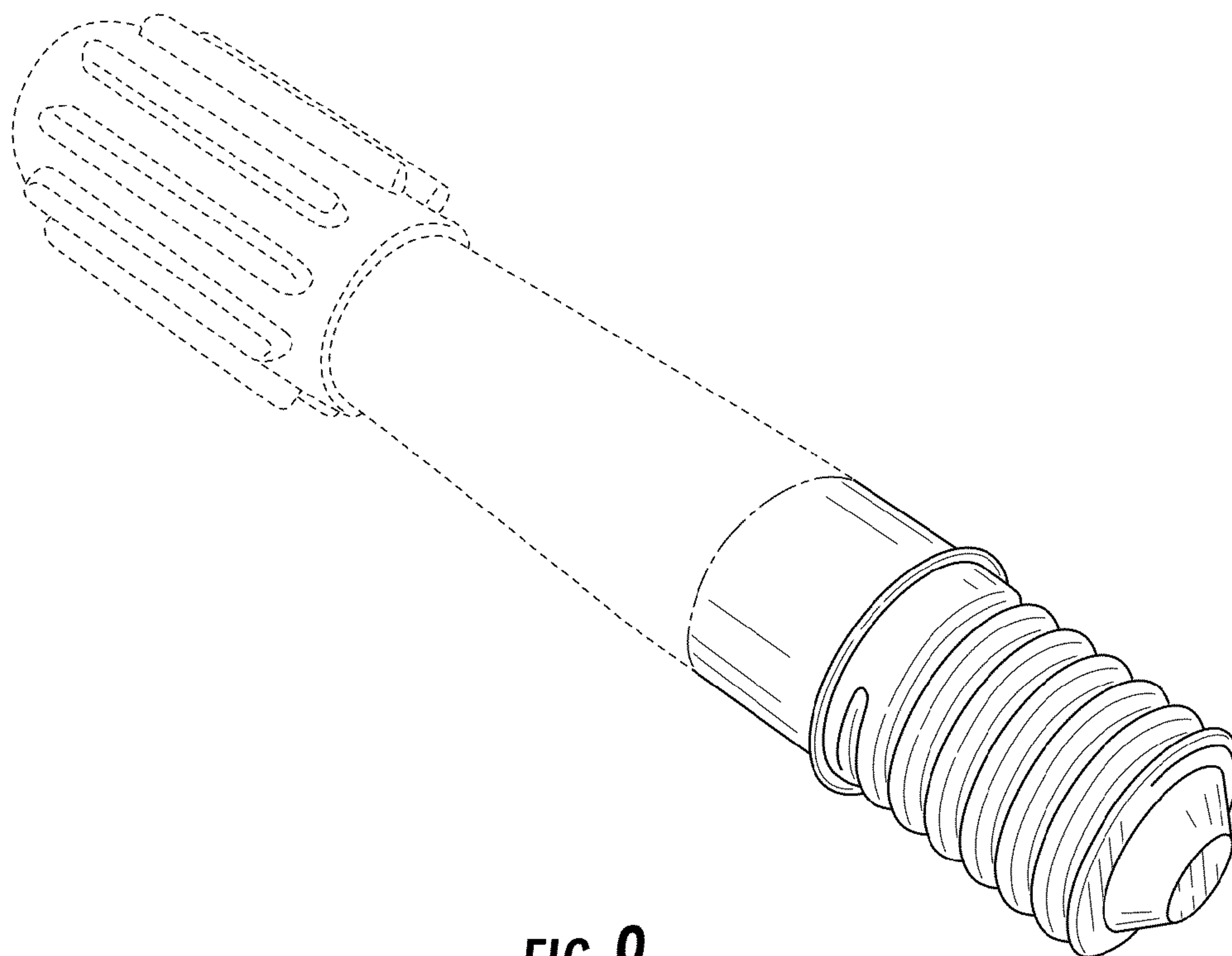


**FIG. 7**



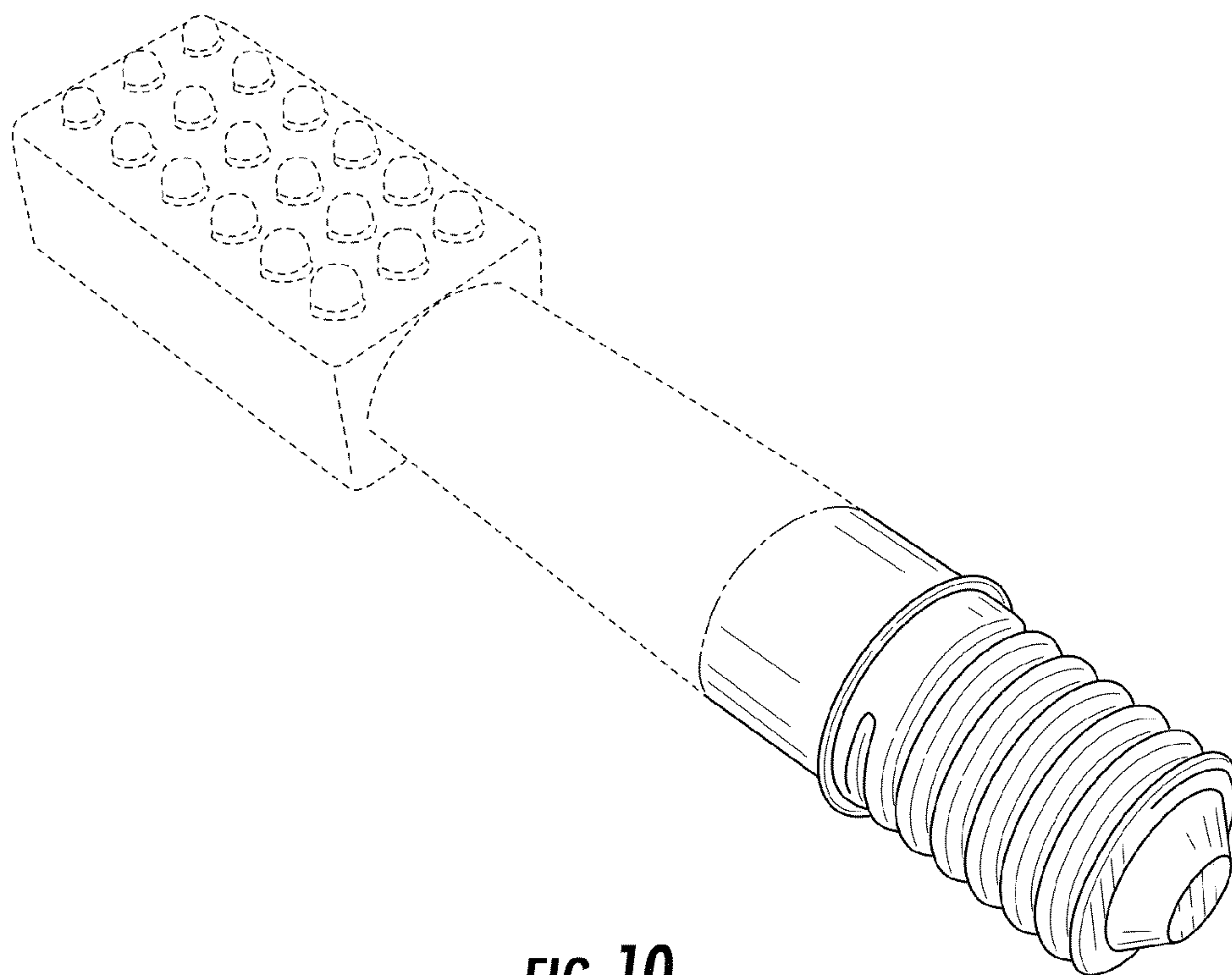


**FIG. 8**

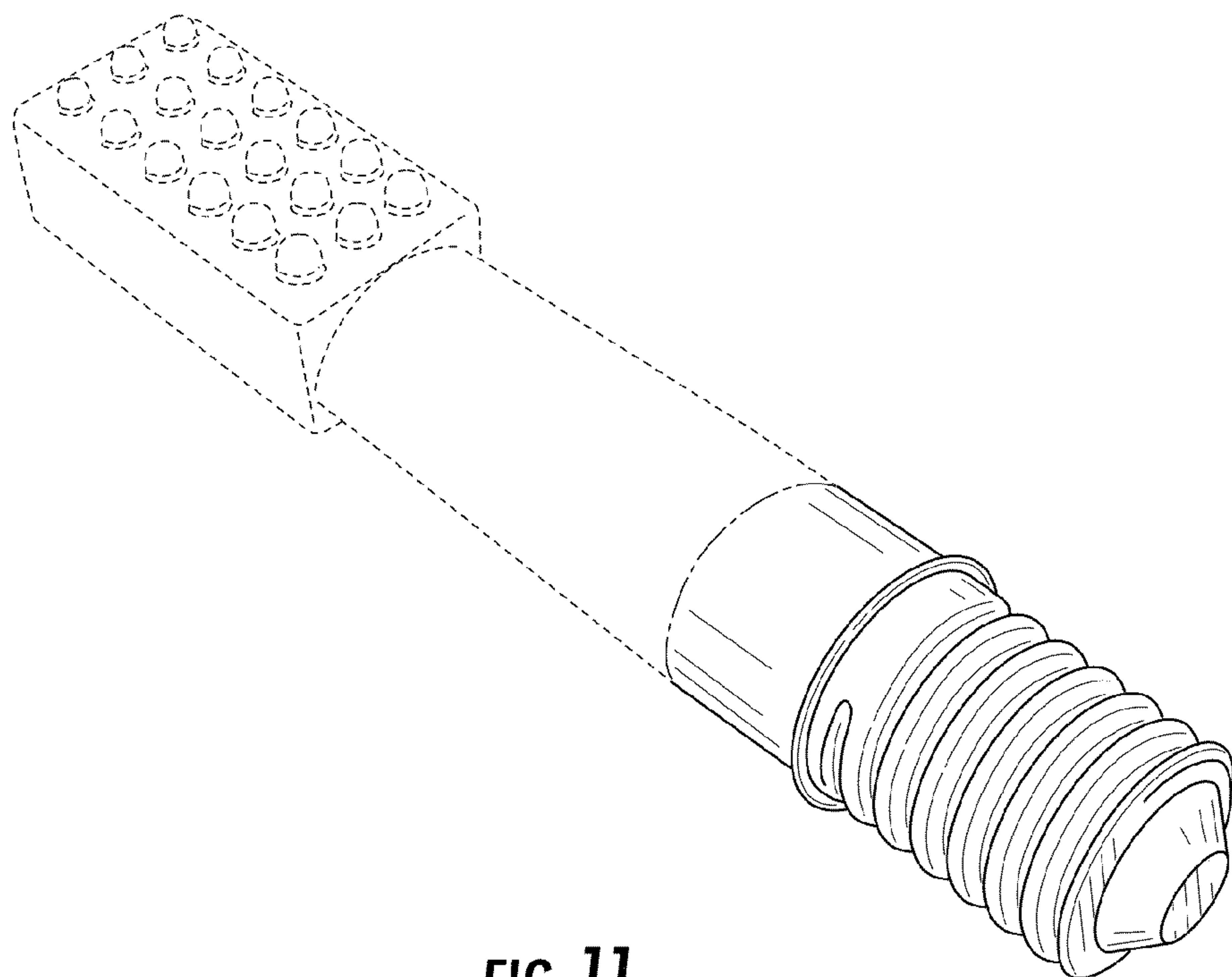


**FIG. 9**

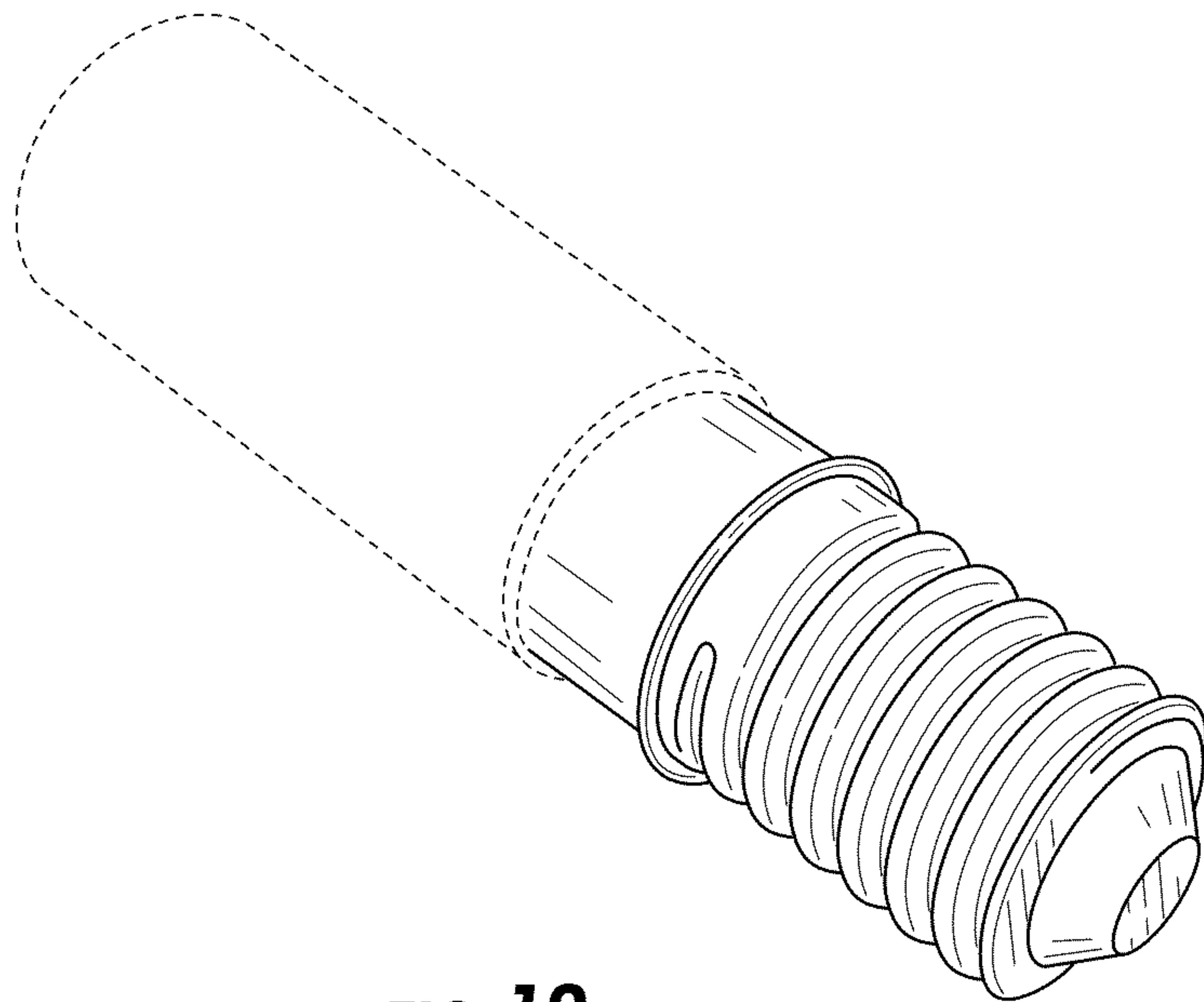




**FIG. 10**



**FIG. 11**



**FIG. 12**