



US00D714440S

(12) **United States Design Patent**  
**Krzyzanowski**

(10) **Patent No.:** **US D714,440 S**

(45) **Date of Patent:** **\*\* Sep. 30, 2014**

(54) **BIOPSY JAW**

(76) **Inventor:** **Jacek Krzyzanowski, Etobicoke (CA)**

(\*\*) **Term:** **14 Years**

(21) **Appl. No.:** **29/390,492**

(22) **Filed:** **Apr. 26, 2011**

(51) **LOC (10) Cl.** ..... **24-02**

(52) **U.S. Cl.**  
USPC ..... **D24/146**

(58) **Field of Classification Search**  
USPC ..... D24/146, 147, 143, 148, 133;  
606/205–208; 600/562, 567, 564  
See application file for complete search history.

(56) **References Cited**

**U.S. PATENT DOCUMENTS**

5,707,392	A *	1/1998	Kortenbach	.....	606/207
6,083,150	A *	7/2000	Aznoian et al.	.....	600/564
6,368,327	B2 *	4/2002	Lippitt et al.	.....	606/110
6,440,085	B1 *	8/2002	Krzyzanowski	.....	600/564
7,171,839	B2 *	2/2007	Krzyzanowski	.....	72/379.2
D614,297	S *	4/2010	Criscuolo et al.	.....	D24/133
D622,386	S *	8/2010	Fisher et al.	.....	D24/146
D625,816	S *	10/2010	Griffis et al.	.....	D24/145
D627,884	S *	11/2010	Fisher et al.	.....	D24/146
7,857,827	B2 *	12/2010	Measamer	.....	606/205
7,998,167	B2 *	8/2011	Weizman et al.	.....	606/207
8,469,993	B2 *	6/2013	Rothberg et al.	.....	606/207
2001/0007057	A1 *	7/2001	Lippitt et al.	.....	600/564
2002/0165580	A1 *	11/2002	Zwiefel et al.	.....	606/205
2002/0188220	A1 *	12/2002	Krzyzanowski	.....	600/567
2004/0260337	A1 *	12/2004	Freed	.....	606/205
2005/0043758	A1 *	2/2005	Golden et al.	.....	606/206

2005/0054946	A1 *	3/2005	Krzyzanowski	.....	600/564
2005/0113867	A1 *	5/2005	Anderhub et al.	.....	606/205
2005/0235725	A1 *	10/2005	Krzyzanowski	.....	72/379.2
2007/0244513	A1 *	10/2007	Weizman et al.	.....	606/205
2007/0244514	A1 *	10/2007	Weizman et al.	.....	606/205
2013/0131544	A1 *	5/2013	Bowden et al.	.....	600/564

\* cited by examiner

*Primary Examiner* — Ian Simmons

*Assistant Examiner* — Carissa C Fitts

(74) *Attorney, Agent, or Firm* — Lorelei G. Graham

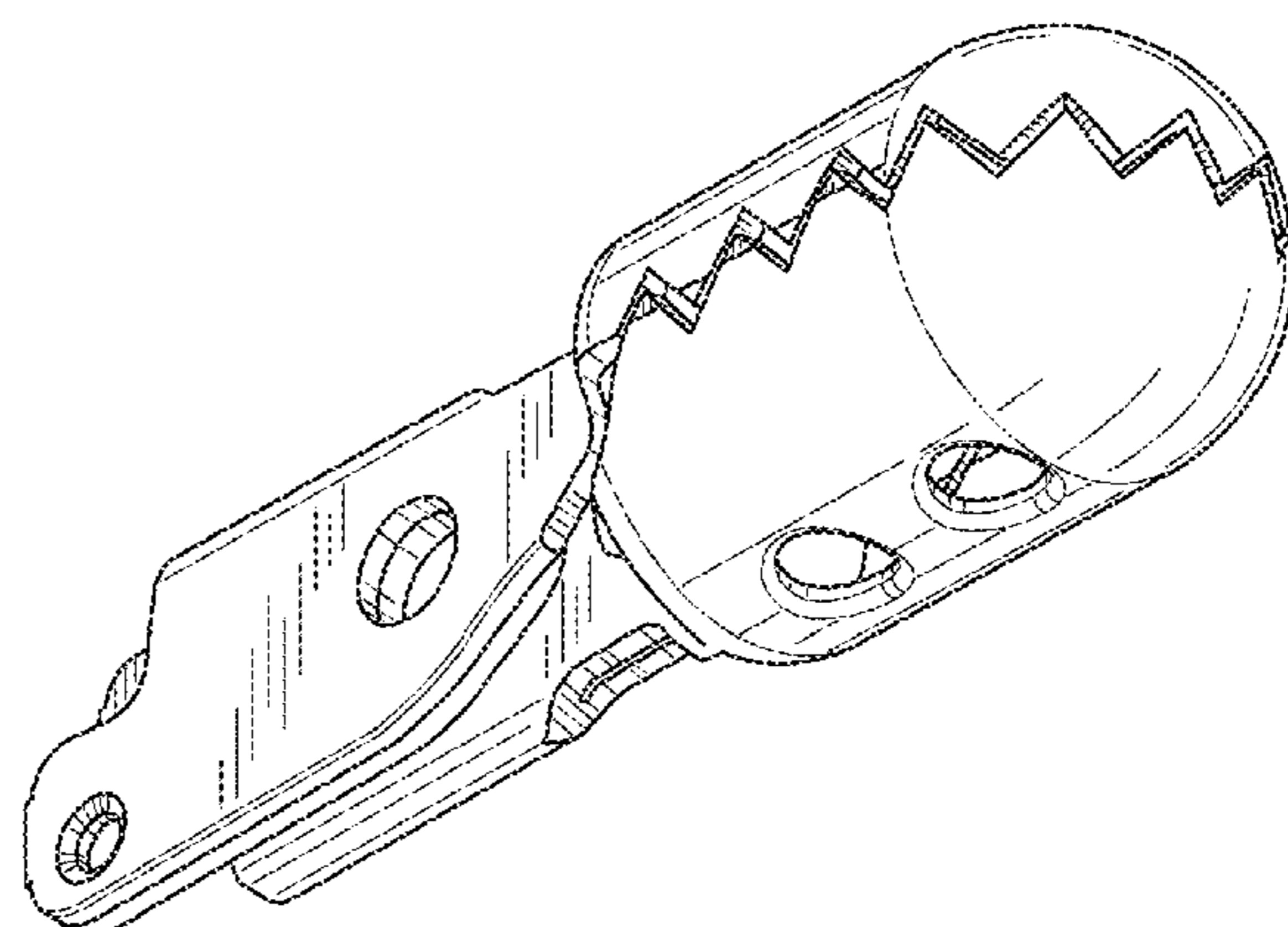
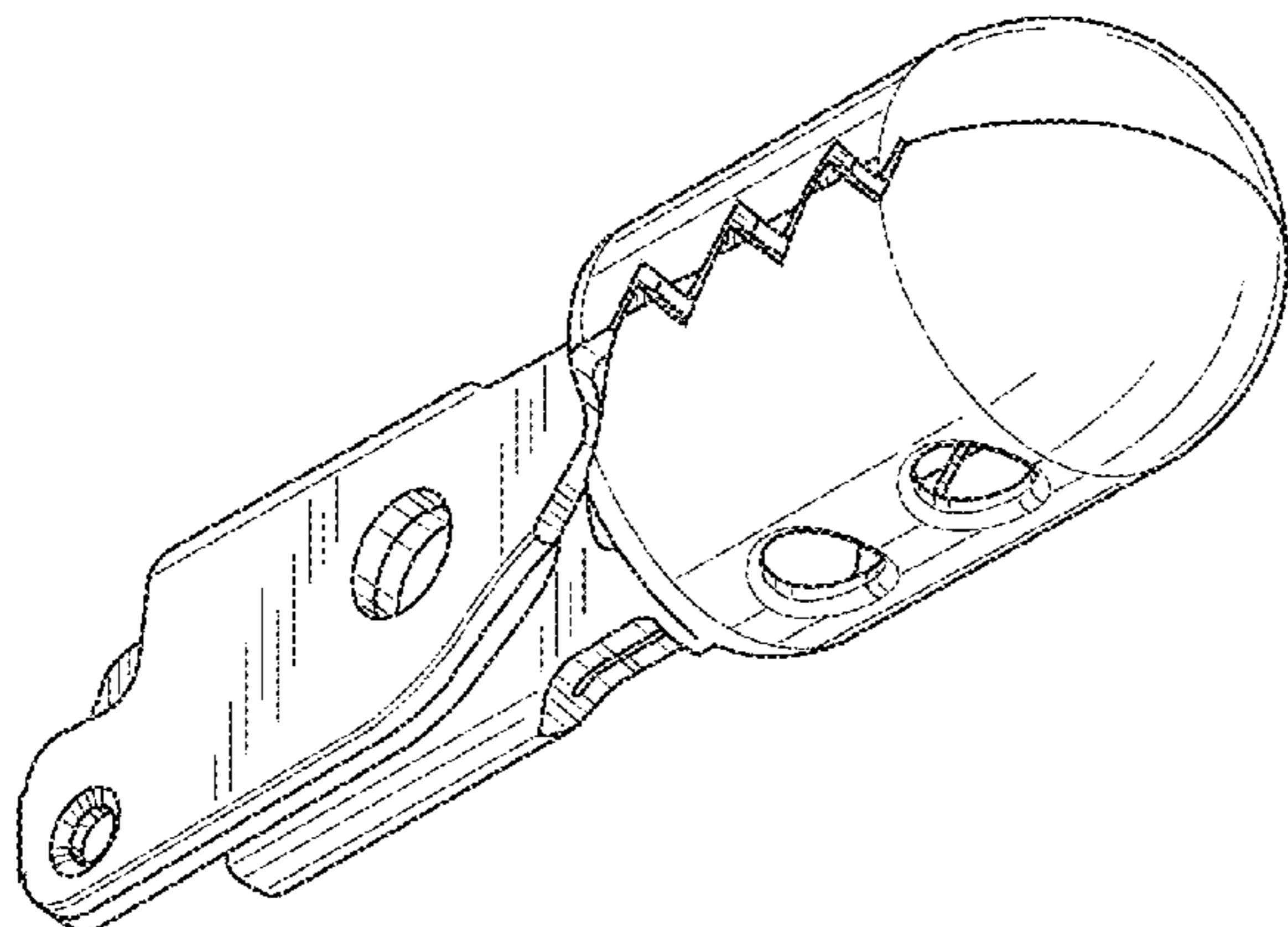
(57) **CLAIM**

The ornamental design for a biopsy jaw, as shown and described.

**DESCRIPTION**

FIG. 1 is a top perspective view of the biopsy jaw.  
 FIG. 2 is a bottom perspective view of the biopsy jaw.  
 FIG. 3 is a front plan view of the biopsy jaw.  
 FIG. 4 is a left side view of the biopsy jaw.  
 FIG. 5 is a back plan view of the biopsy jaw.  
 FIG. 6 is a right side view of the biopsy jaw.  
 FIG. 7 is a top plan view of the biopsy jaw.  
 FIG. 8 is a bottom plan view of the biopsy jaw.  
 In accordance with a second embodiment of the present invention:  
 FIG. 9 is a top perspective view of the biopsy jaw.  
 FIG. 10 is a bottom perspective view of the biopsy jaw.  
 FIG. 11 is a front plan view of the biopsy jaw.  
 FIG. 12 is a left side view of the biopsy jaw.  
 FIG. 13 is a back plan view of the biopsy jaw.  
 FIG. 14 is a right side view of the biopsy jaw.  
 FIG. 15 is a top plan view of the biopsy jaw; and,  
 FIG. 16 is a bottom plan view of the biopsy jaw.

**1 Claim, 6 Drawing Sheets**



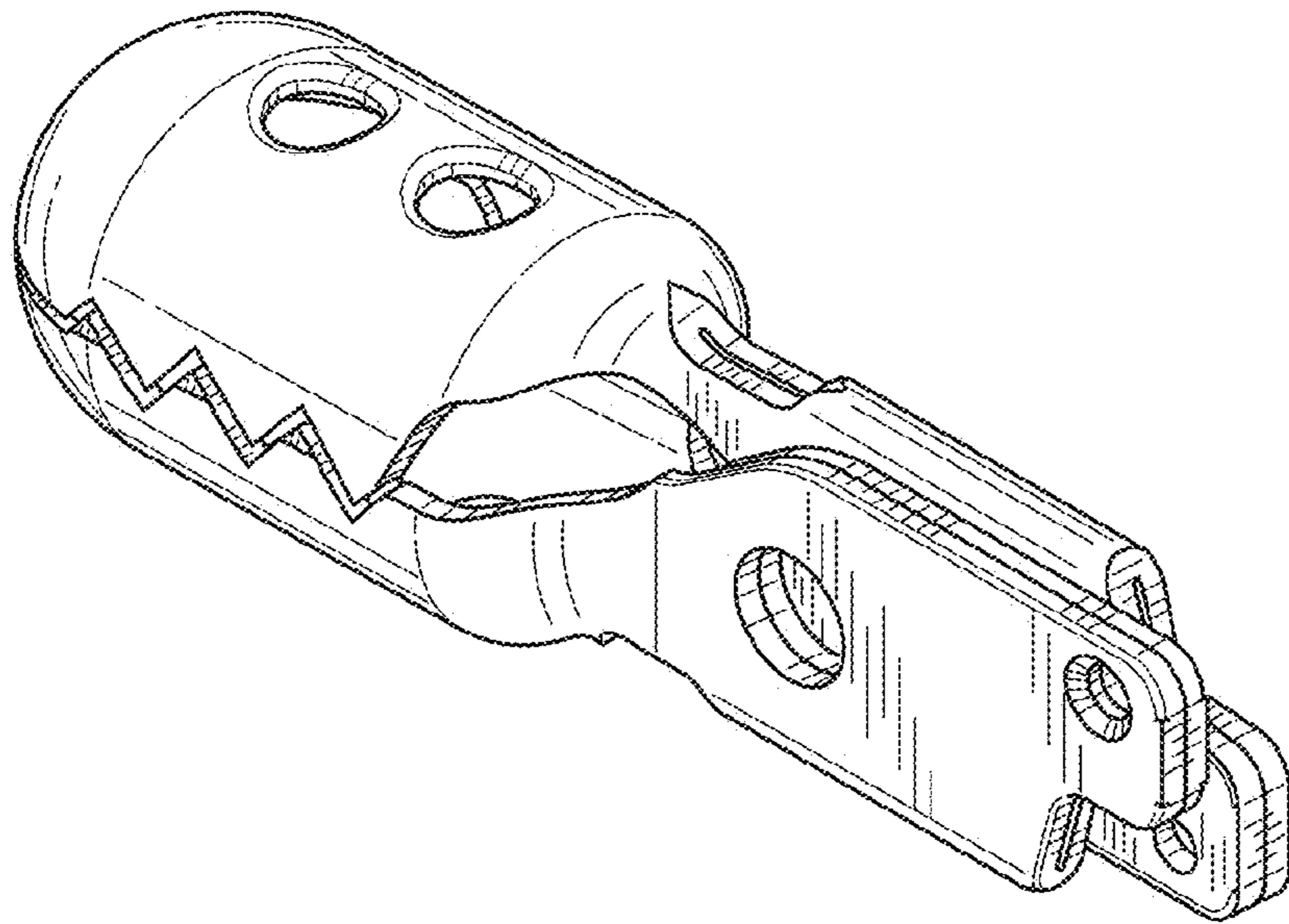


FIG. 1

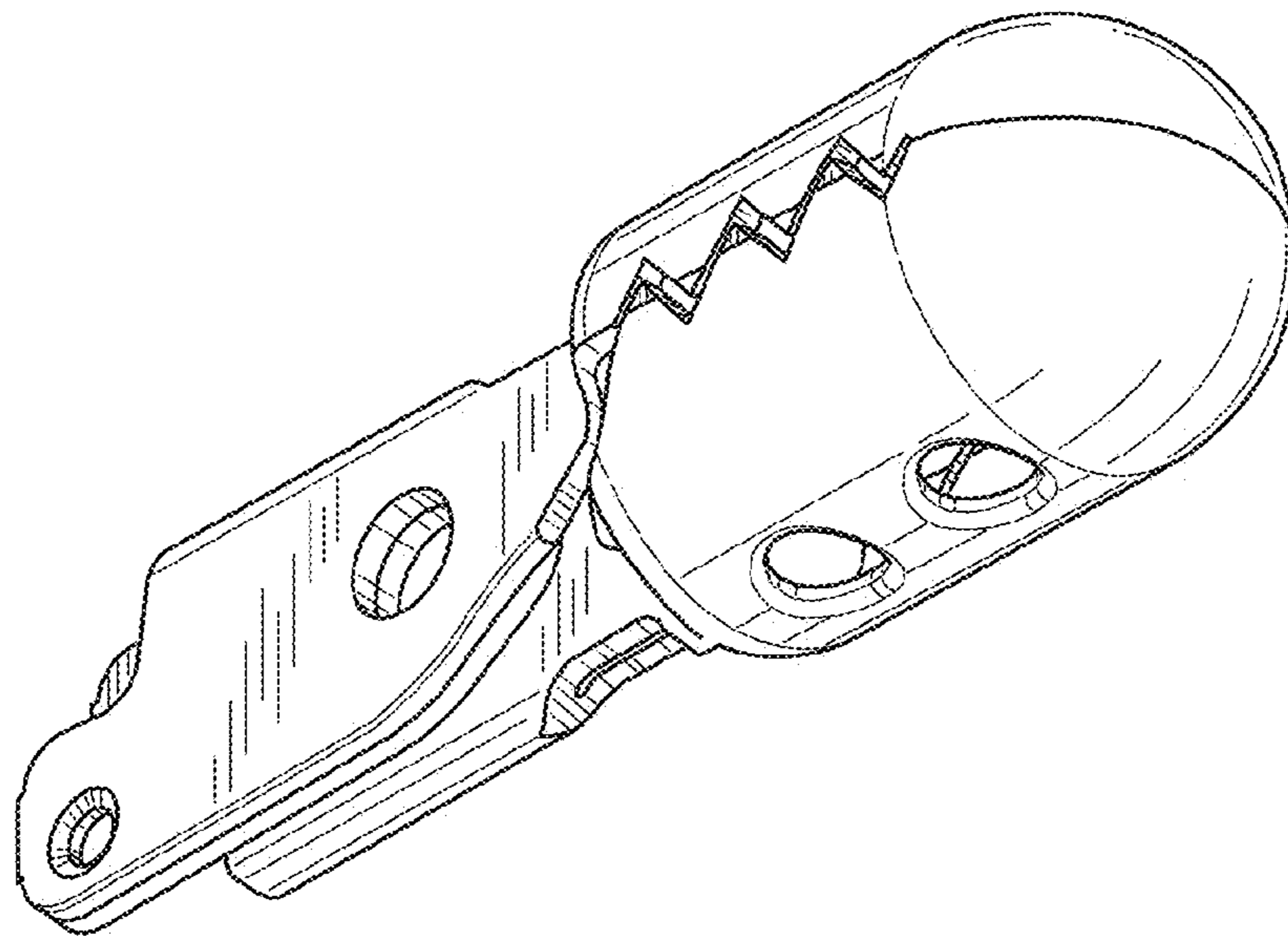
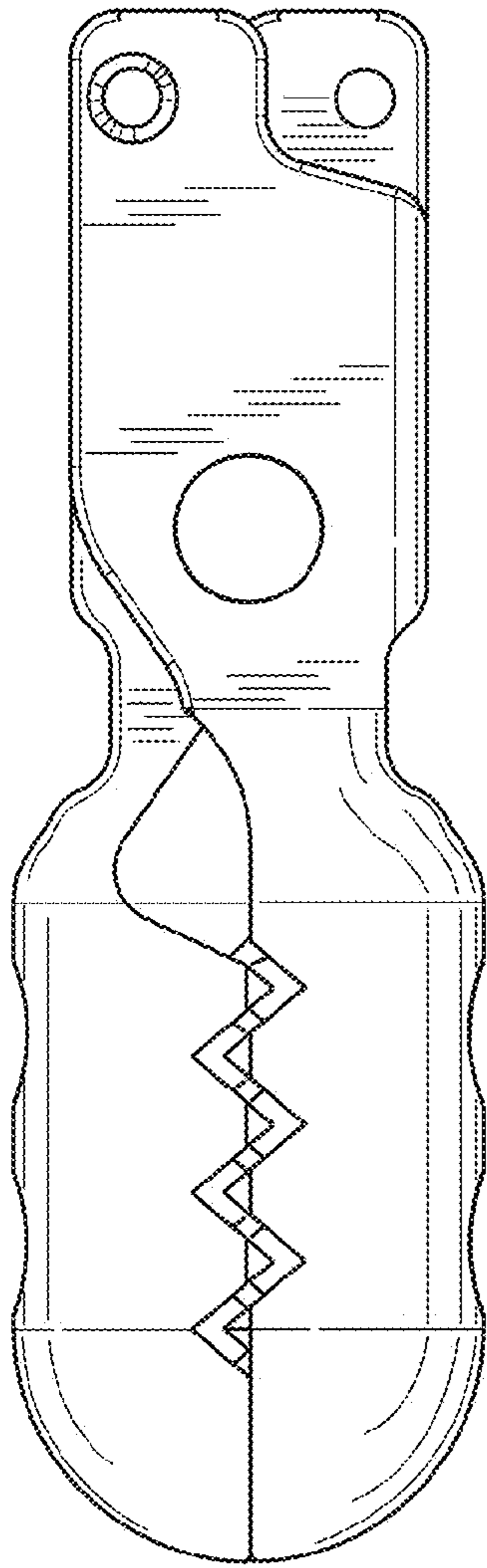
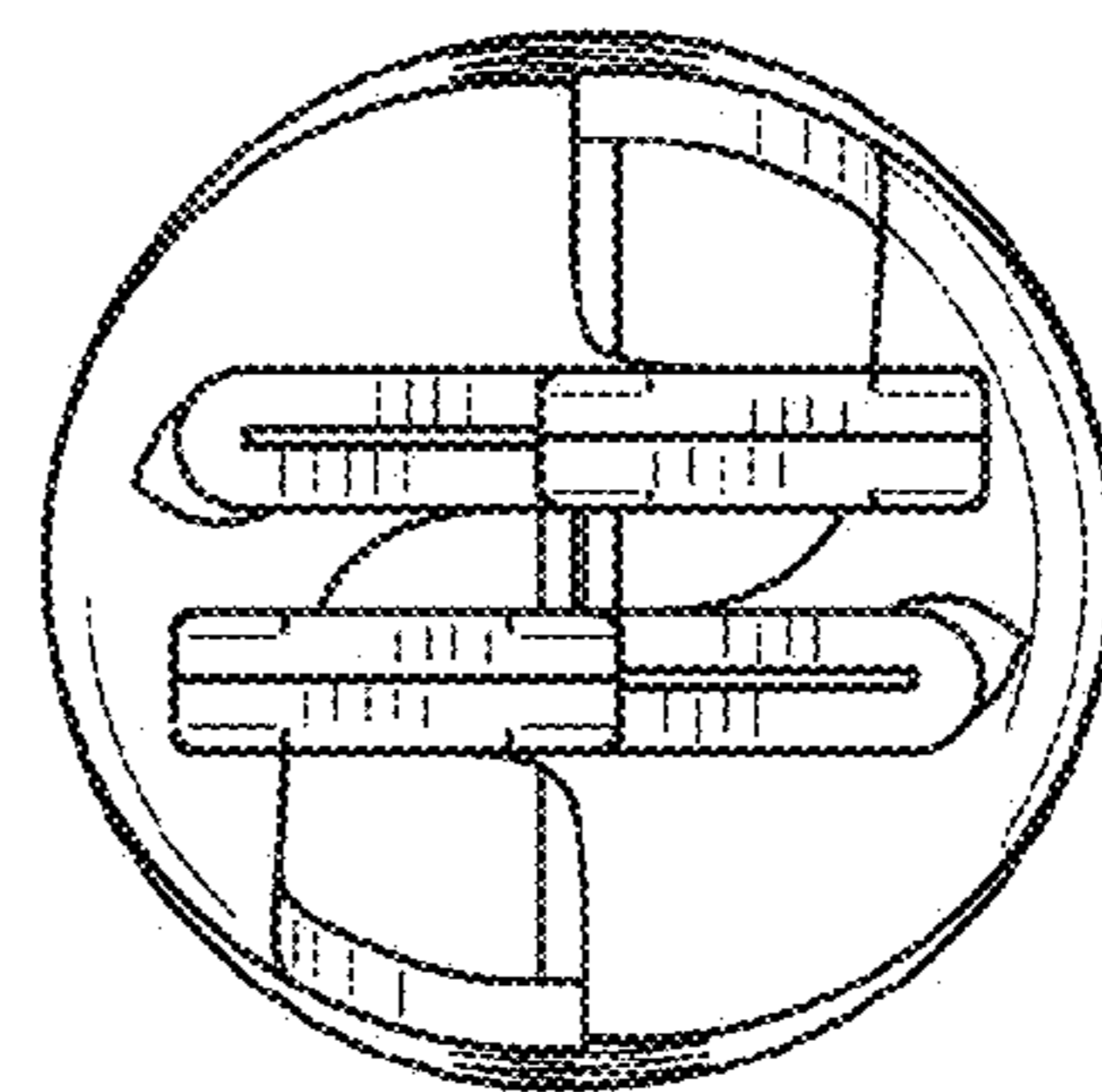


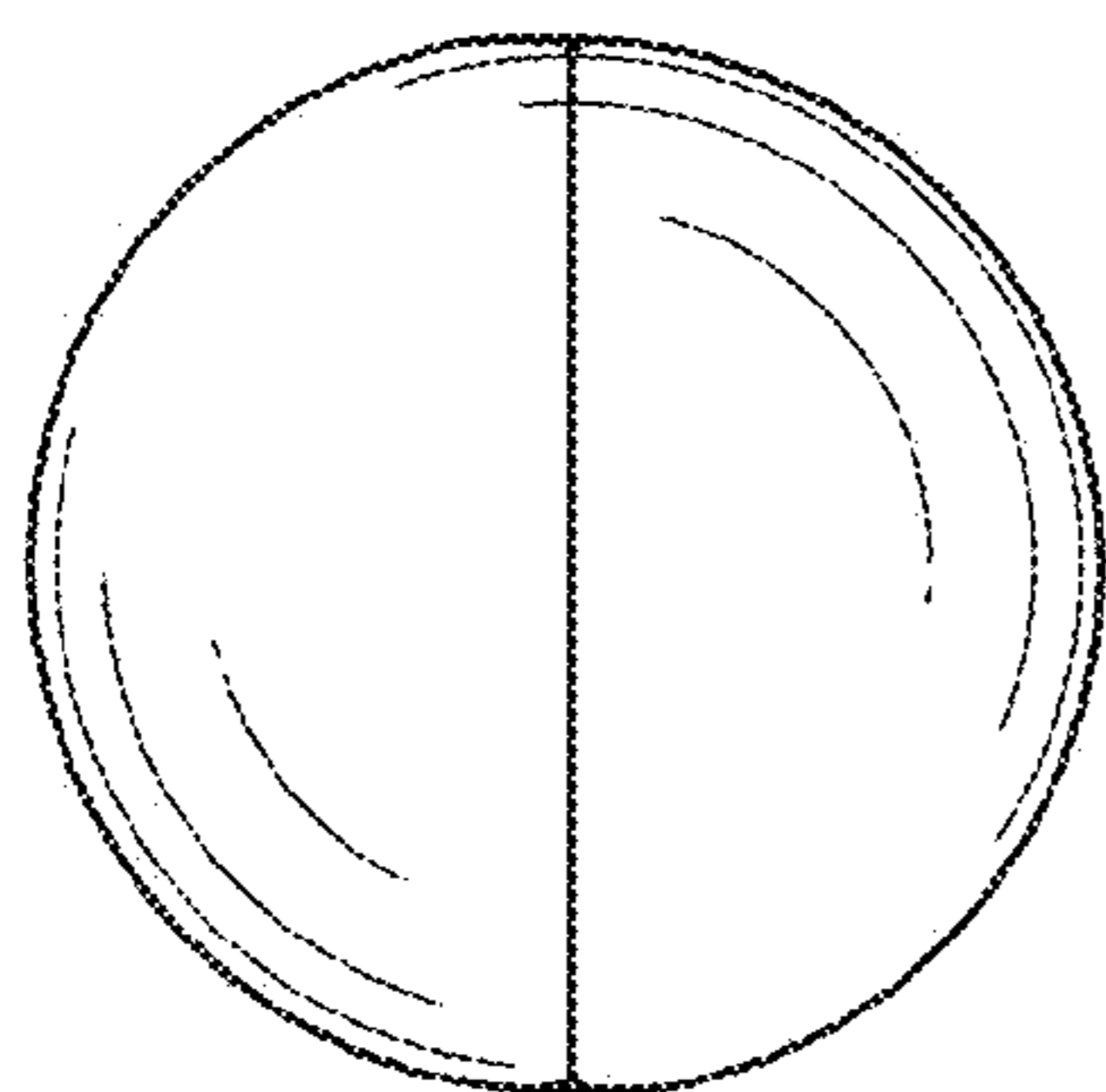
FIG. 2



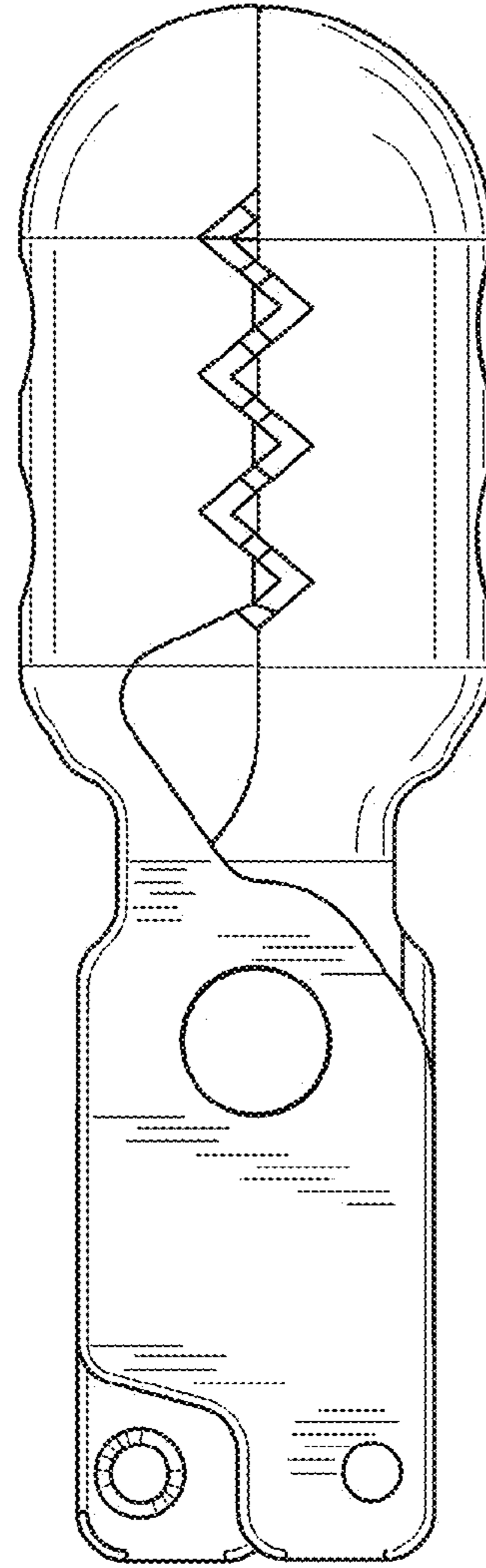
**FIG. 3**



**FIG. 4**



**FIG. 5**



**FIG. 6**



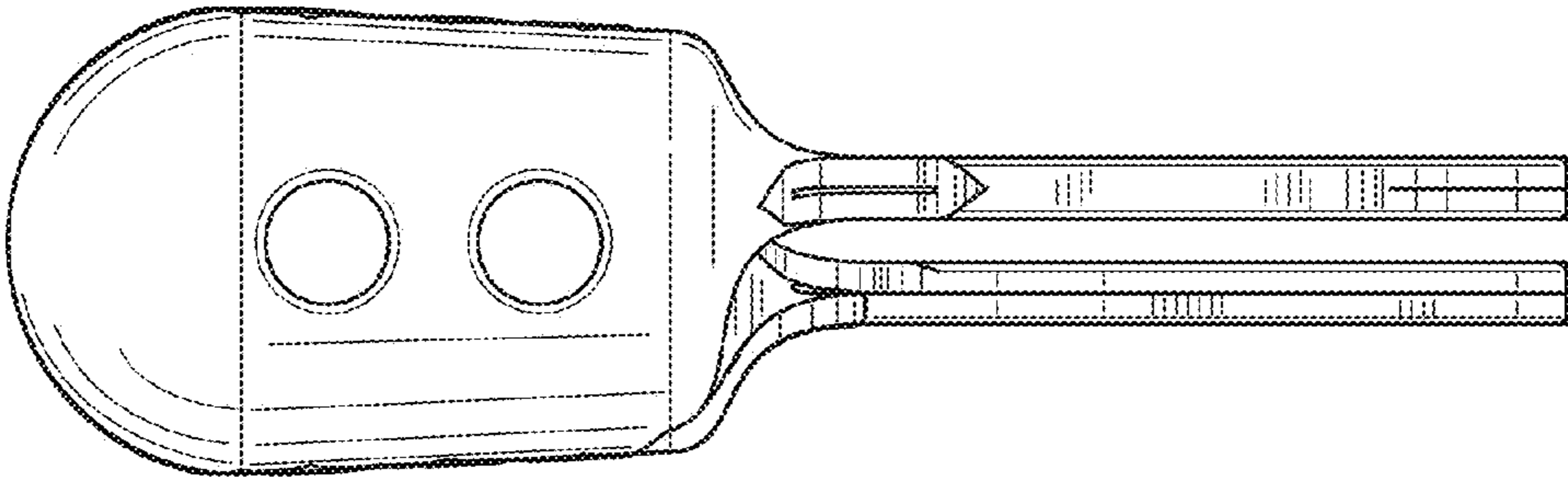


FIG. 7

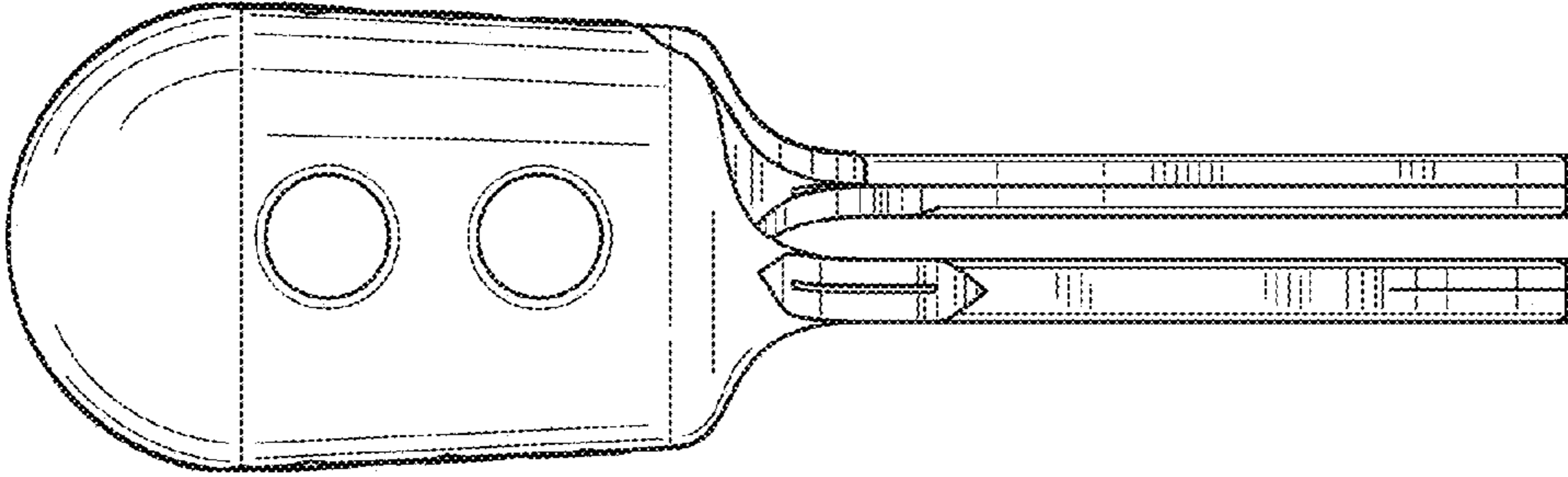


FIG. 8

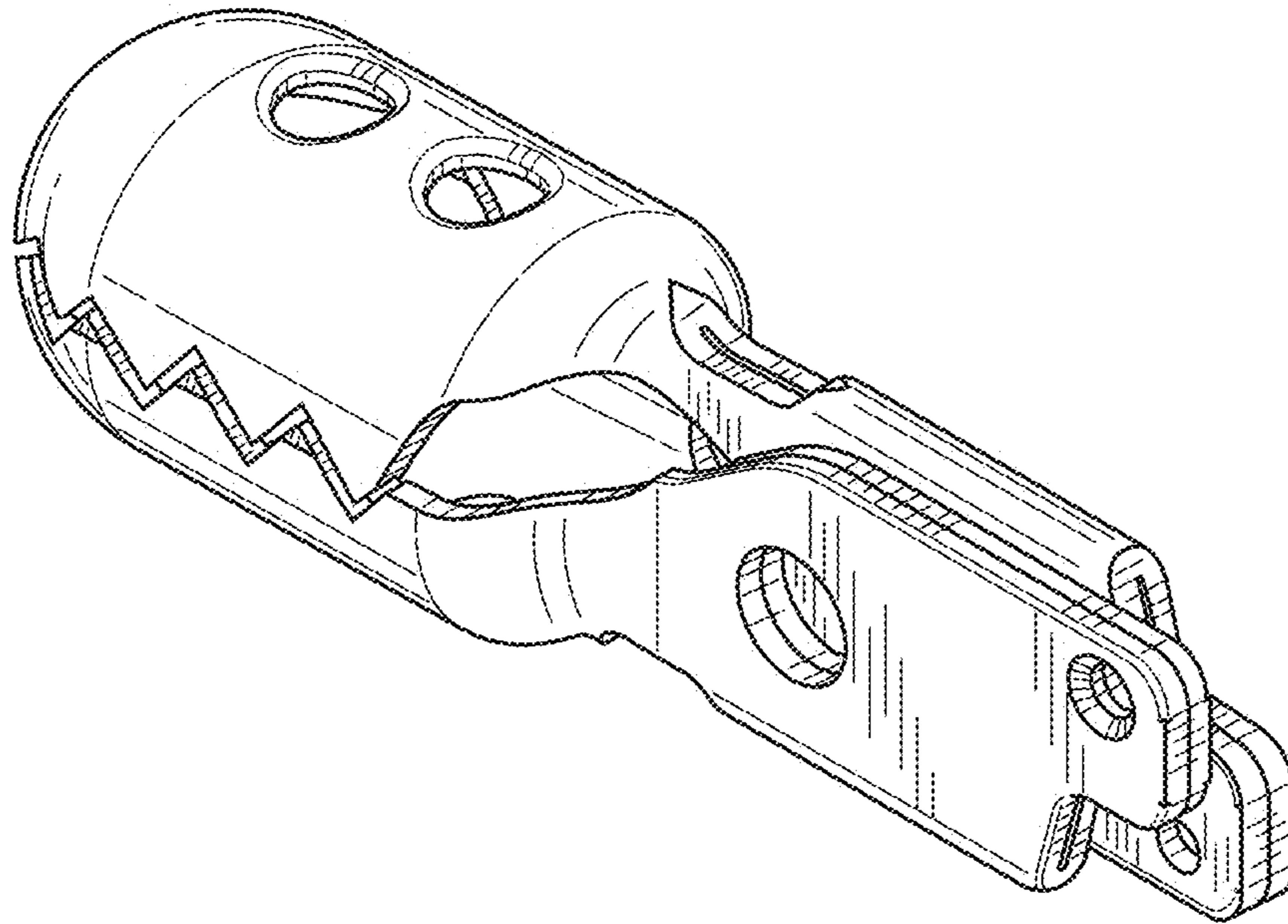


FIG. 9

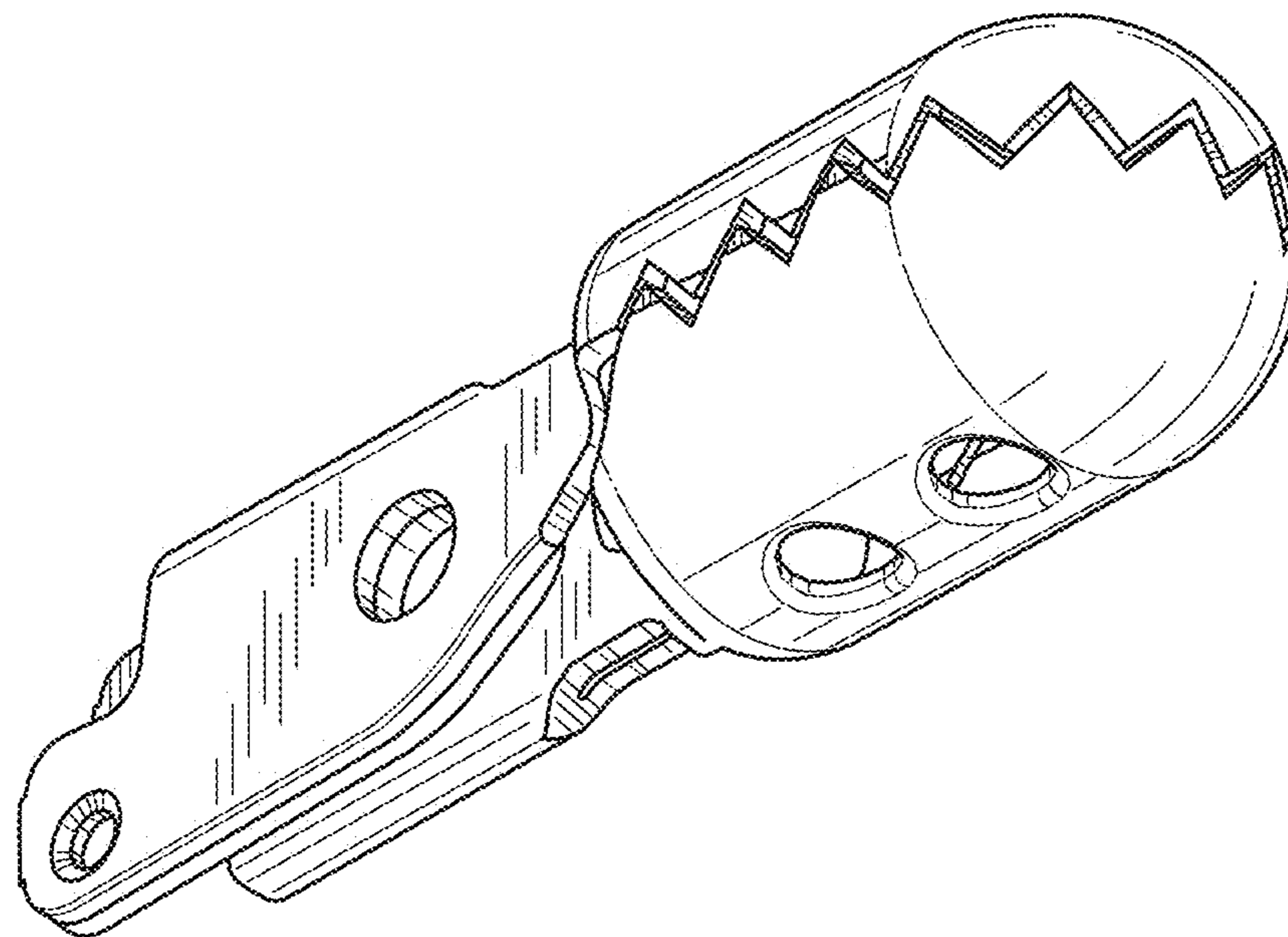
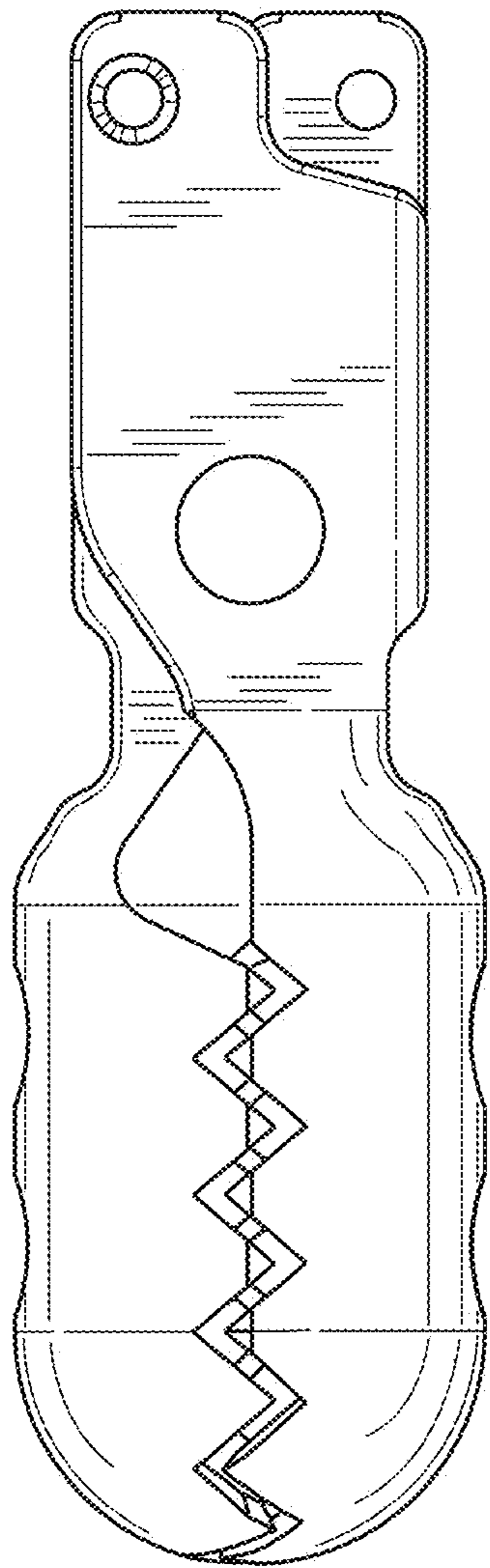
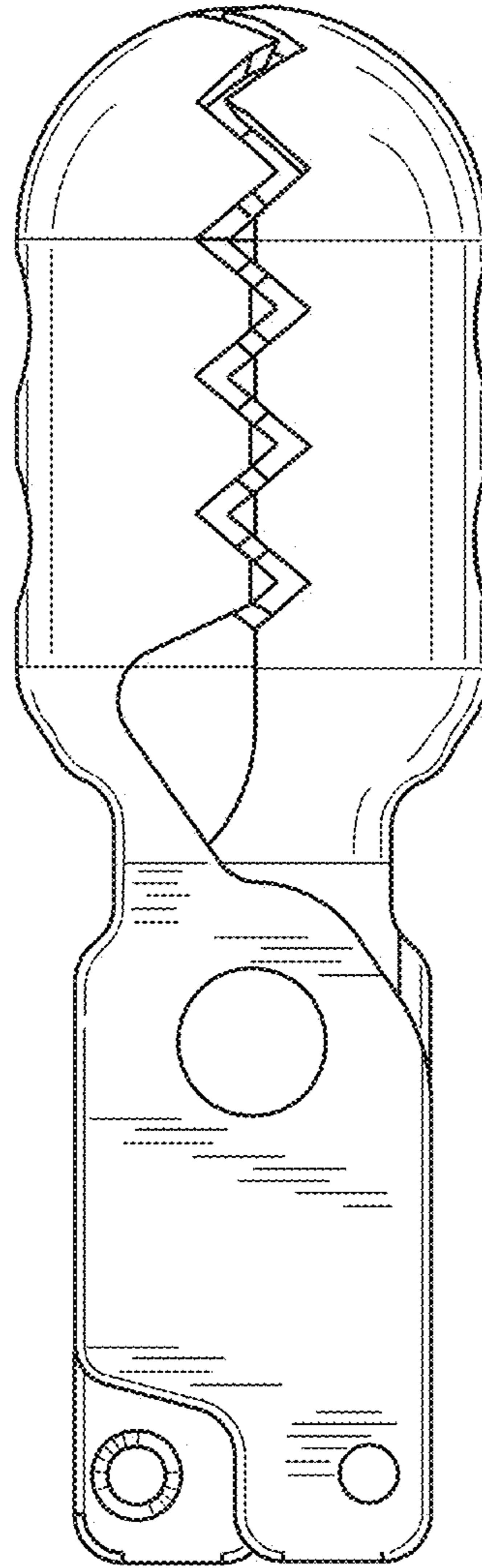


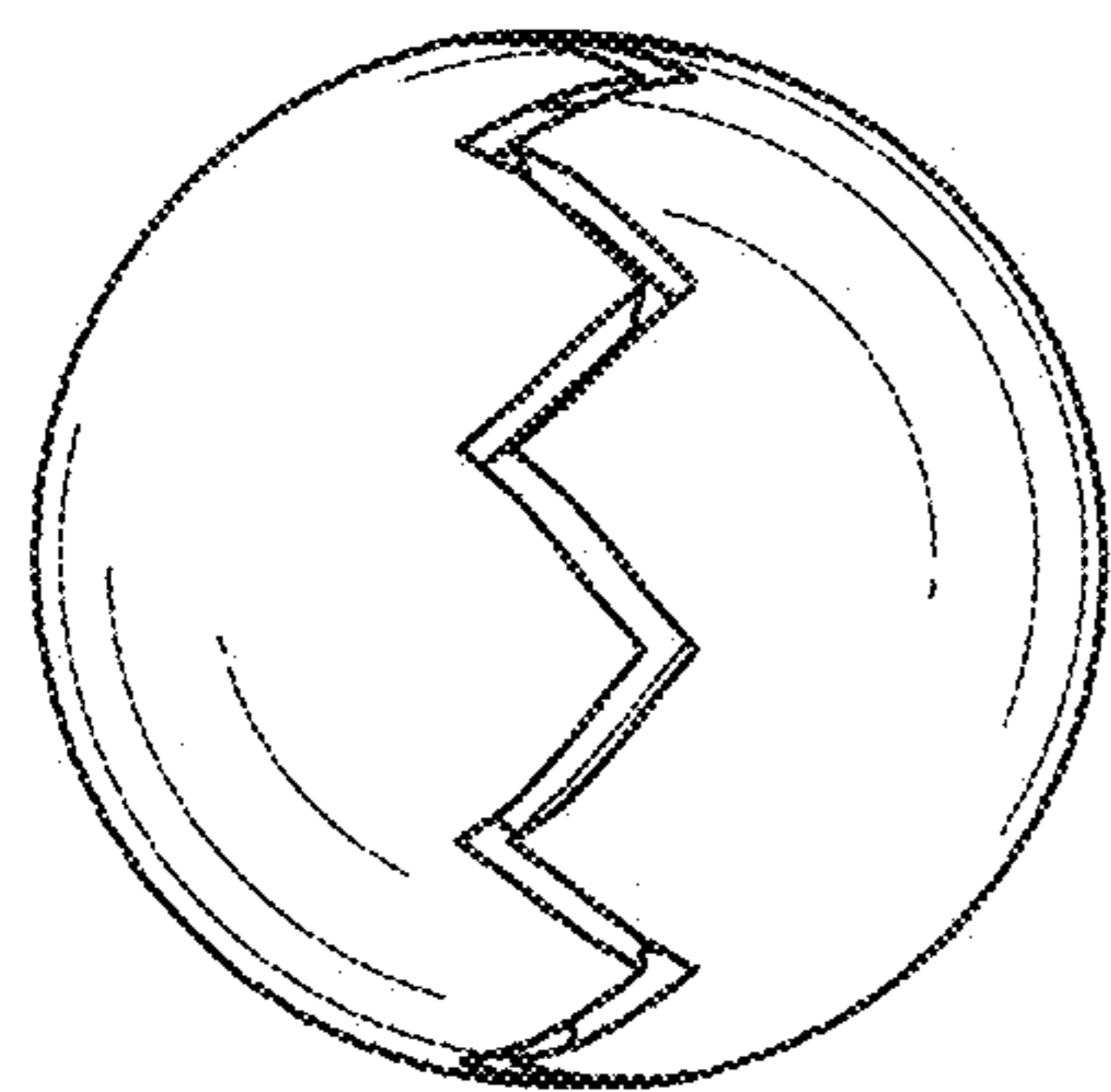
FIG. 10



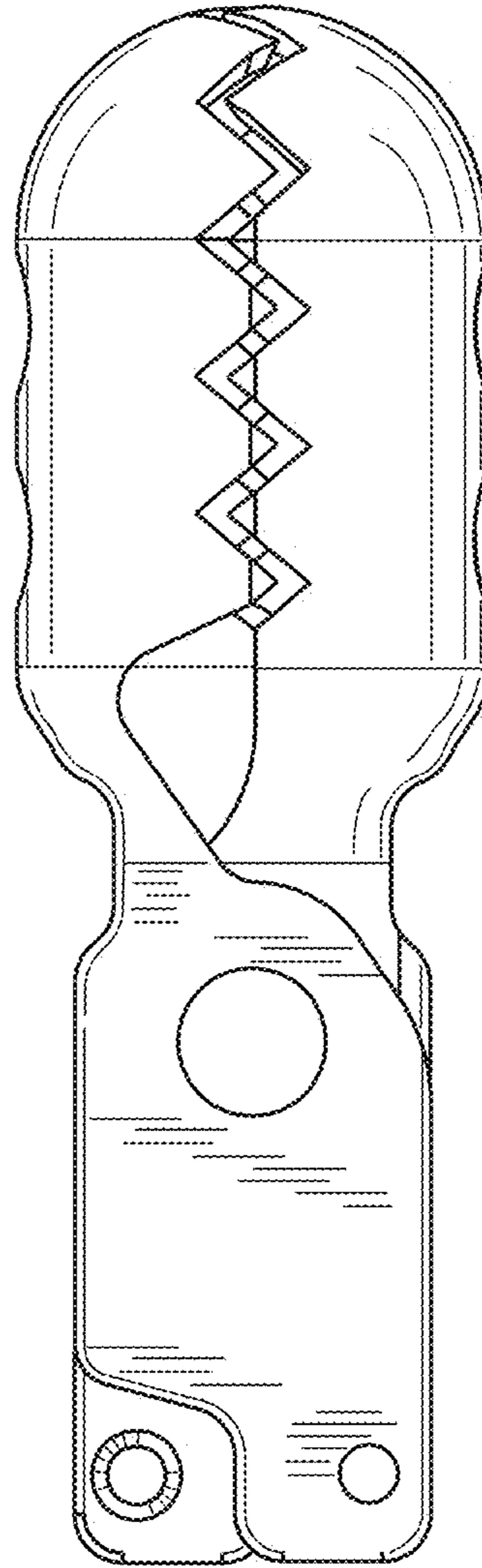
**FIG. 11**



**FIG. 12**



**FIG. 13**



**FIG. 14**

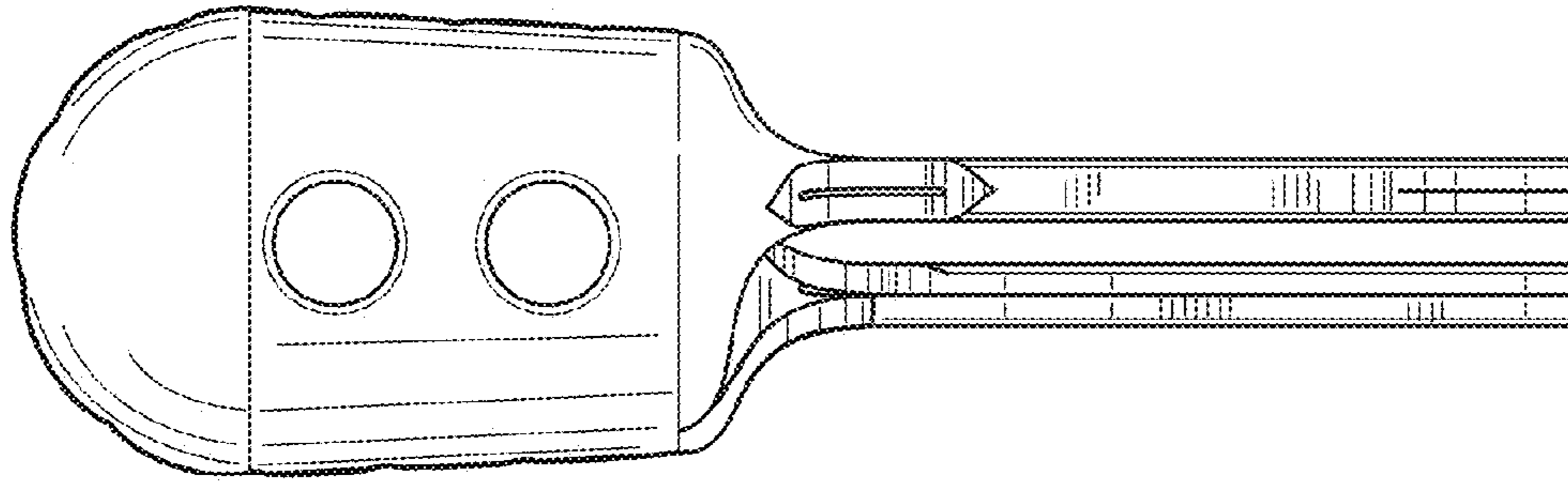


FIG. 15

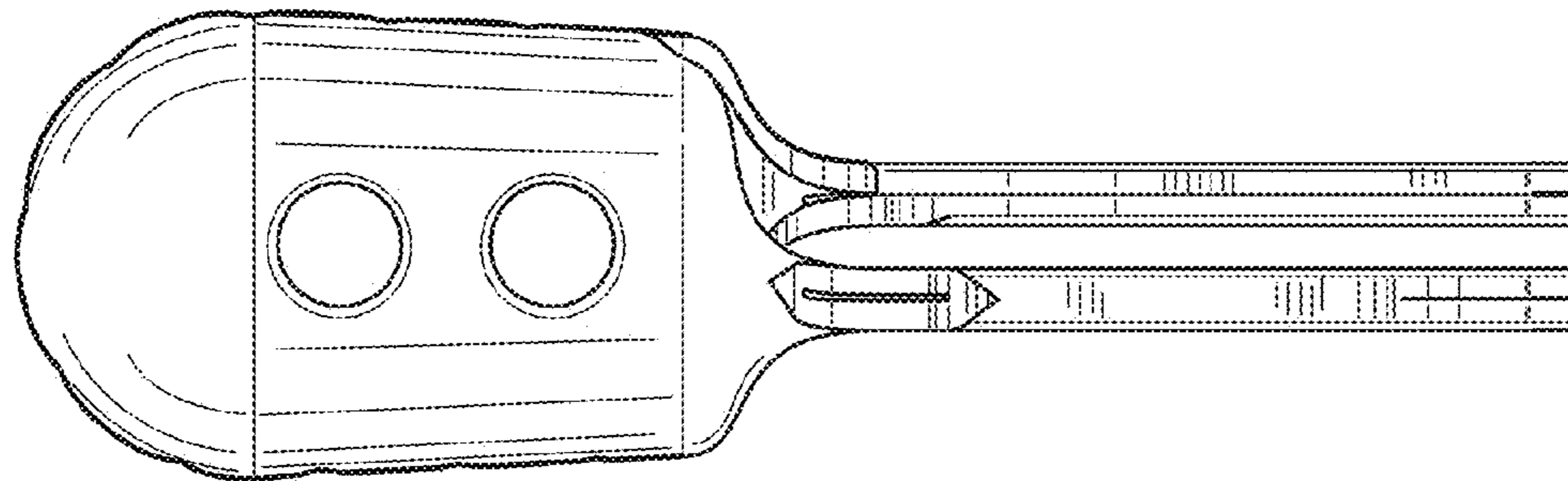


FIG. 16