



US00D714439S

(12) **United States Design Patent**
Huang

(10) **Patent No.:** **US D714,439 S**

(45) **Date of Patent:** **** Sep. 30, 2014**

(54) **TATTOO MACHINE**

(71) Applicant: **Eric Huang**, Temple City, CA (US)

(72) Inventor: **Eric Huang**, Temple City, CA (US)

(**) Term: **14 Years**

(21) Appl. No.: **29/458,224**

(22) Filed: **Jun. 17, 2013**

(51) **LOC (10) Cl.** **24-02**

(52) **U.S. Cl.**
USPC **D24/144**

(58) **Field of Classification Search**
USPC D24/133, 144, 146-147; 81/9.22;
606/9, 185-186; 604/47, 289
See application file for complete search history.

(56) **References Cited**

U.S. PATENT DOCUMENTS

4,437,361	A *	3/1984	Steckel et al.	81/9.22
6,282,987	B1 *	9/2001	Moniz	81/9.22
6,550,356	B1 *	4/2003	Underwood	81/9.22
D613,864	S *	4/2010	Colton et al.	D24/144
7,748,294	B2 *	7/2010	Jarboe et al.	81/9.22

7,908,943	B2 *	3/2011	Beyer	81/9.22
D702,344	S *	4/2014	Huang	D24/133
2005/0028647	A1 *	2/2005	Sloan	81/9.22
2009/0183602	A1 *	7/2009	Crockett	81/9.22

* cited by examiner

Primary Examiner — Wan Laymon

(74) *Attorney, Agent, or Firm* — QuickPatents; Kevin Prince

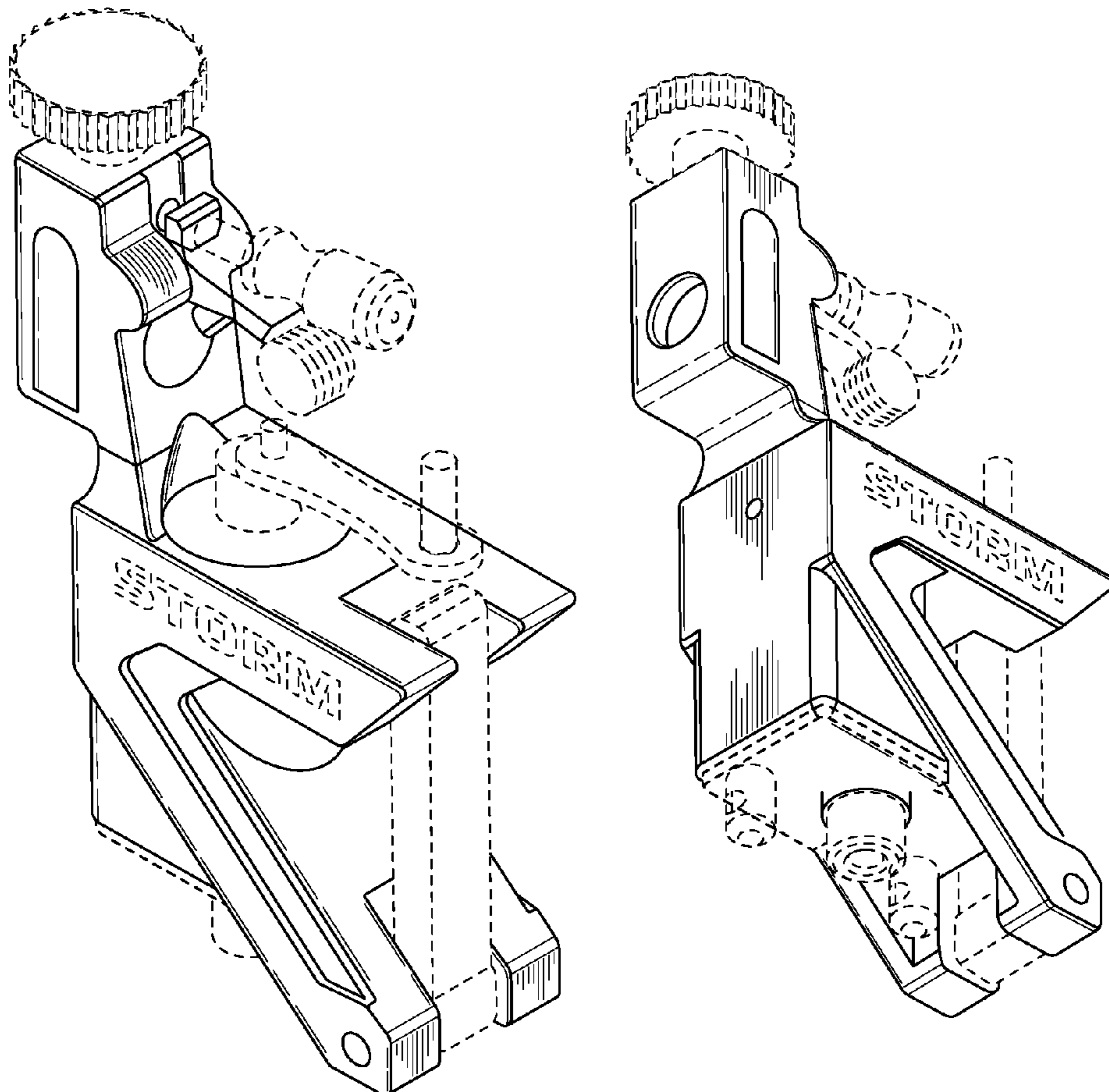
(57) **CLAIM**

I claim the ornamental design for a tattoo machine, as shown and described.

DESCRIPTION

FIG. 1 is a top perspective view of a tattoo machine, showing my new design;
 FIG. 2 is a bottom perspective view thereof;
 FIG. 3 is a rear elevational view thereof;
 FIG. 4 is a front elevational view thereof;
 FIG. 5 is a right-side elevational view thereof, the left-side elevational view being a mirror image thereof;
 FIG. 6 is a top plan view thereof; and,
 FIG. 7 is a bottom plan view thereof.
 The broken lines in the figures depict environmental matter and form no part of the claimed design.

1 Claim, 3 Drawing Sheets



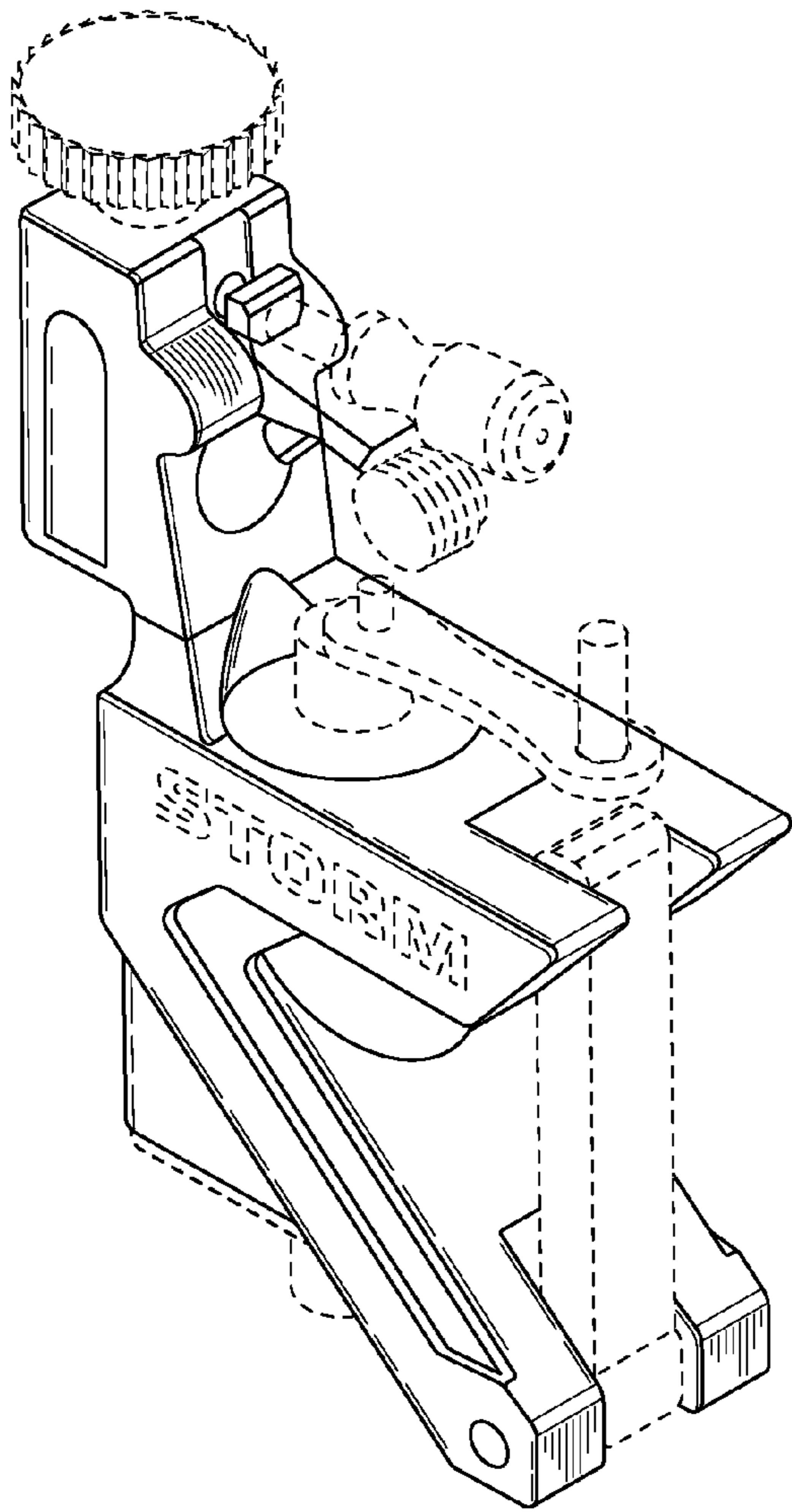


FIG. 1

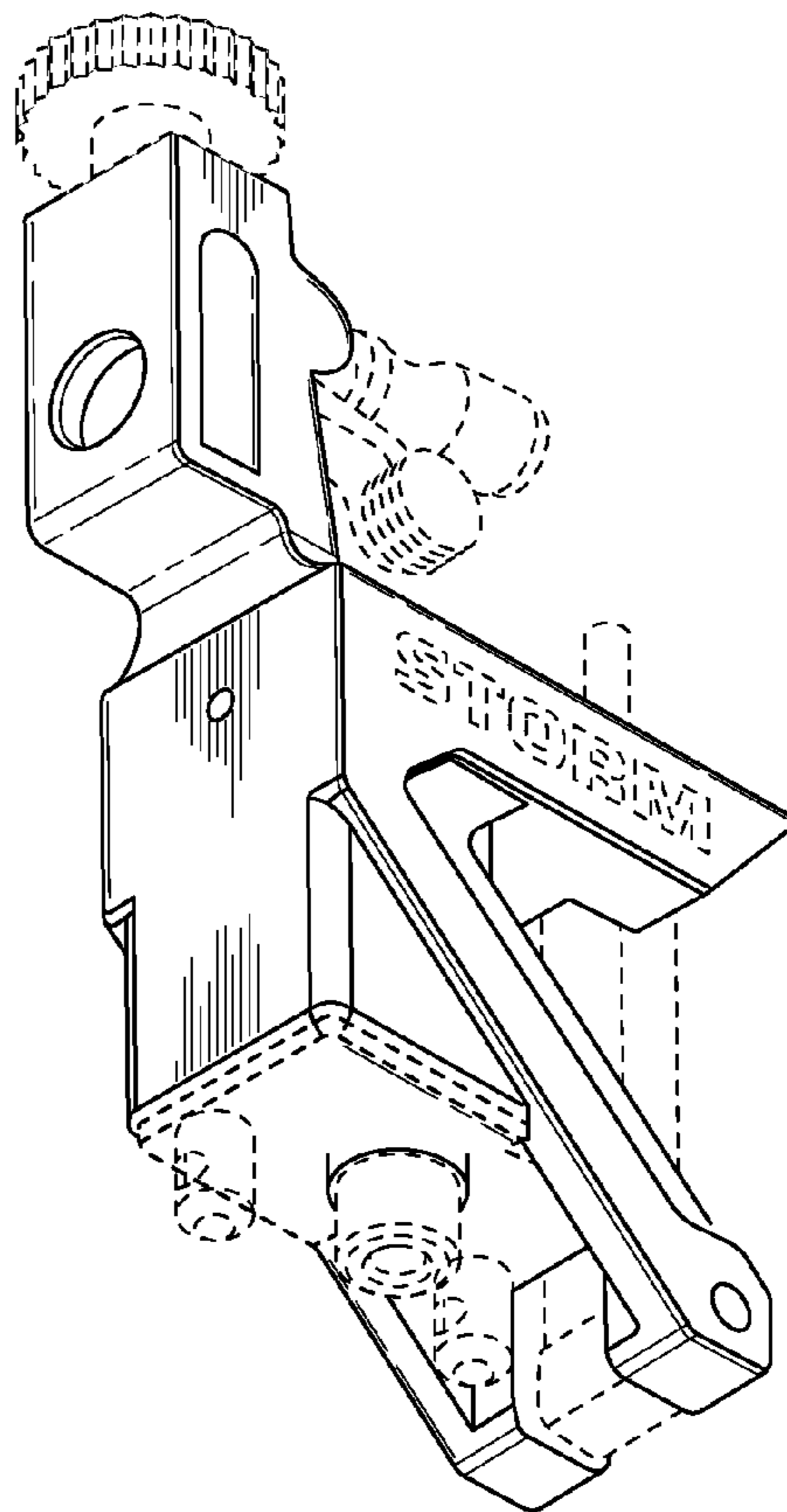


FIG. 2

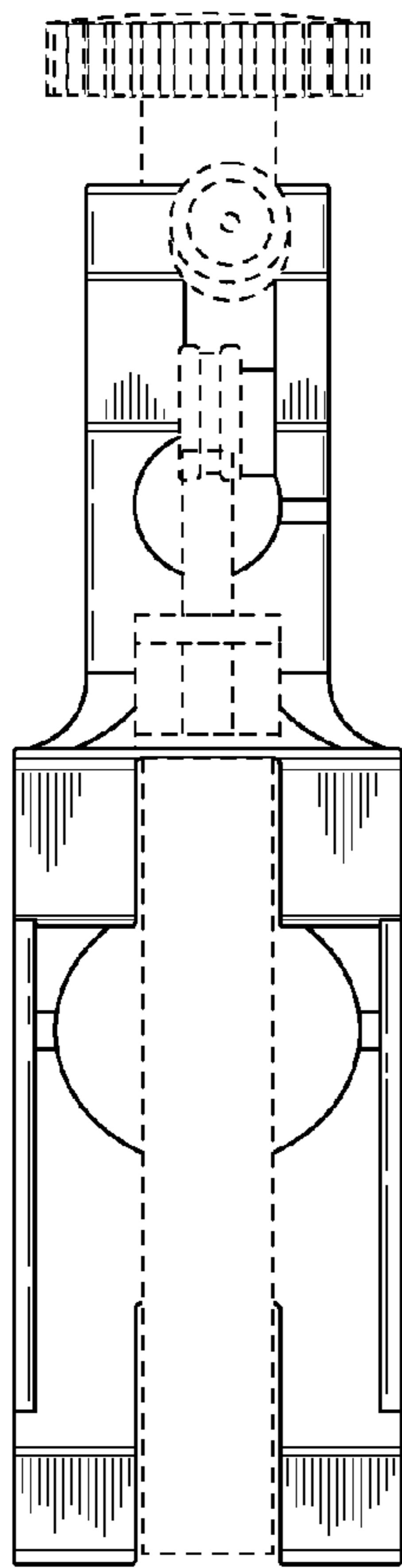


FIG. 3

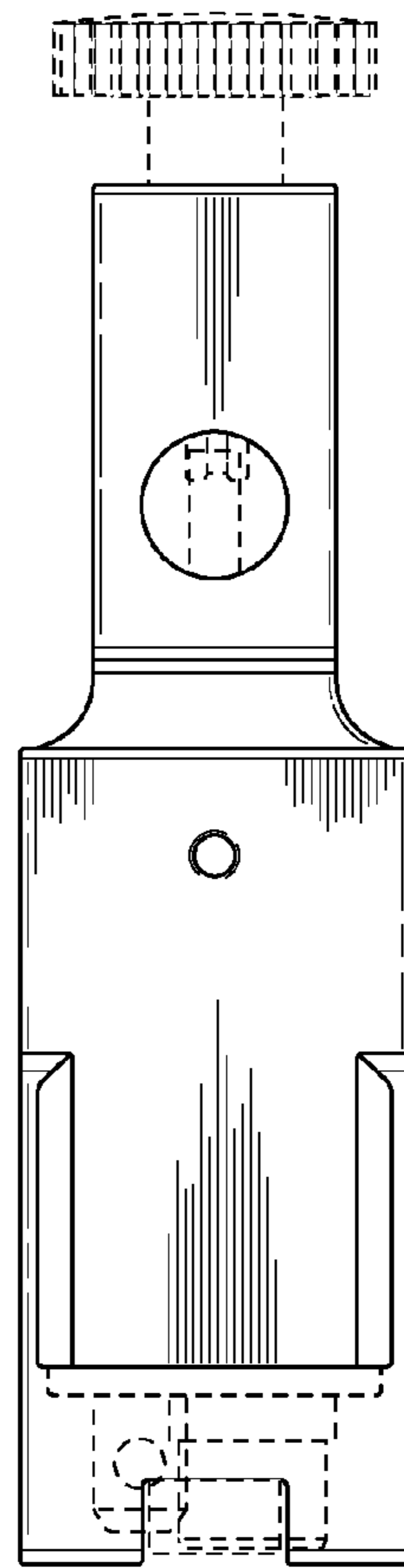


FIG. 4

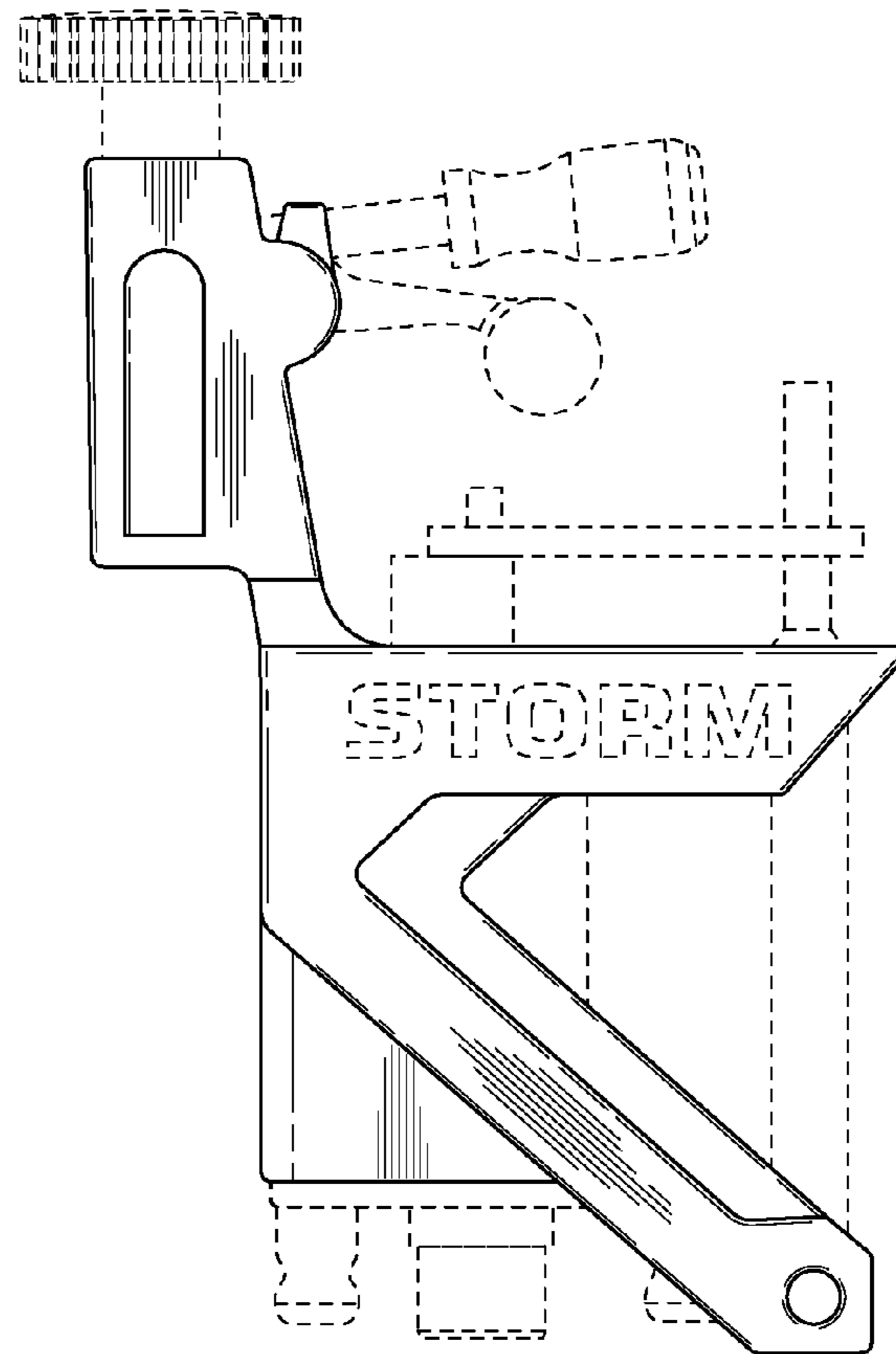


FIG. 5

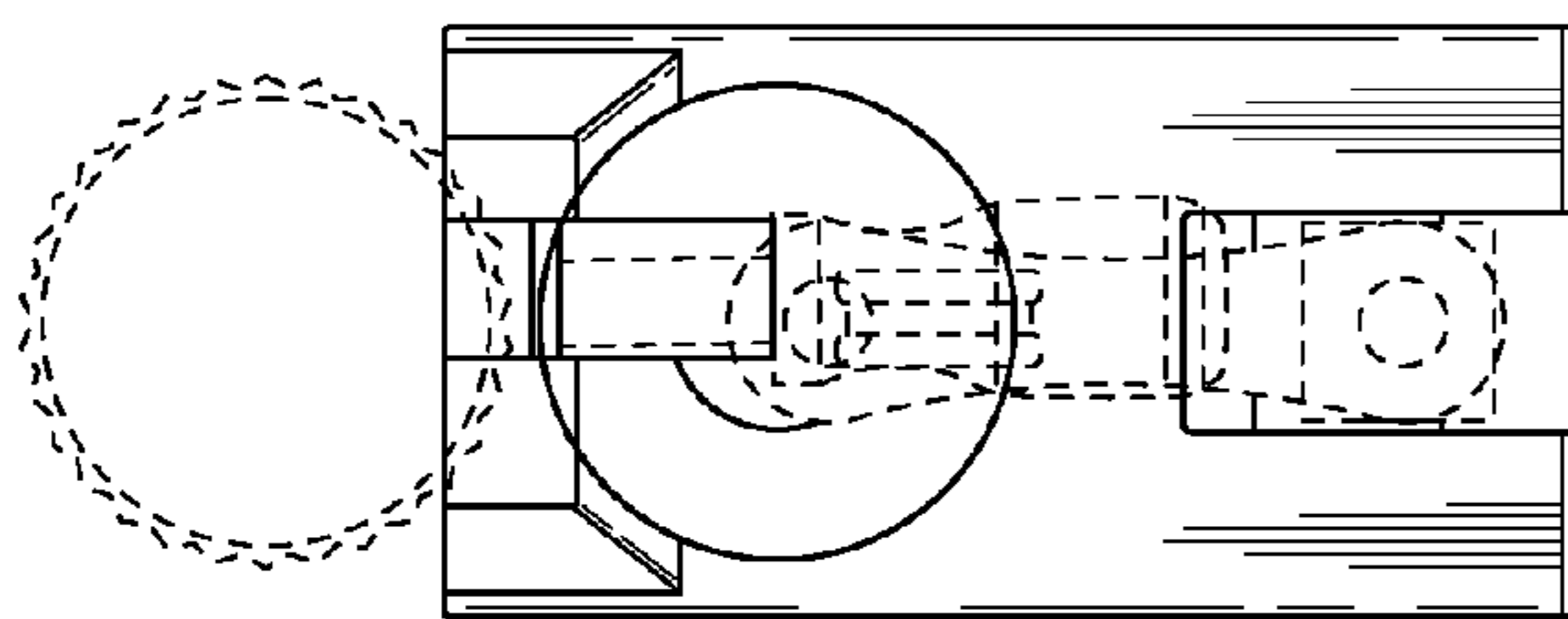


FIG. 6

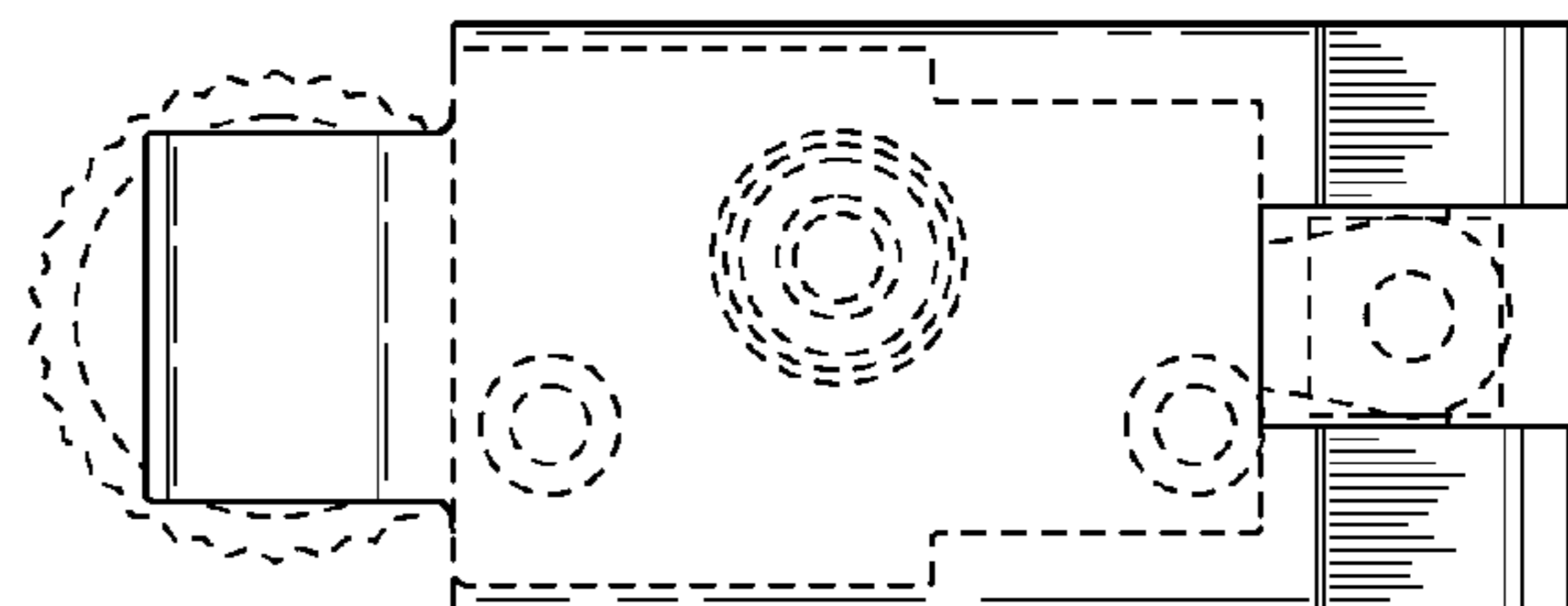


FIG. 7