



US00D714437S

(12) **United States Design Patent**
Steele

(10) **Patent No.:** **US D714,437 S**

(45) **Date of Patent:** **** Sep. 30, 2014**

(54) **BAG PORT**

FOREIGN PATENT DOCUMENTS

(75) Inventor: **Kyle R. Steele**, Fort Collins, CO (US)

DE 7402178 11/1975
DE 69800752 4/2002

(73) Assignee: **Nordson Corporation**, Westlake, OH (US)

(Continued)

(**) Term: **14 Years**

(21) Appl. No.: **29/410,997**

International Search Report and Written Opinion dated May 11, 2012, PCT/US2012/028142, 12 pages.

(22) Filed: **Jan. 13, 2012**

(Continued)

(51) **LOC (10) Cl.** **24-04**

Primary Examiner — Deanna L Pratt

(52) **U.S. Cl.**

Assistant Examiner — Ieisha Price

USPC **D24/129**

(74) *Attorney, Agent, or Firm* — Dorsey & Whitney LLP

(58) **Field of Classification Search**

(57) **CLAIM**

USPC D23/249, 259; 285/27, 399; 403/409.1;
435/286.5, 283.1, 289.1; 156/273.3,
156/281; D24/110.6, 112, 121, 129

I claim the ornamental design for a bag port, substantially as shown and described.

See application file for complete search history.

DESCRIPTION

(56) **References Cited**

FIG. 1 is a bottom, right, rear perspective view of a bag port. FIG. 2 is a top, right, front perspective view of the bag port of FIG. 1.

U.S. PATENT DOCUMENTS

1,312,152 A	8/1919	Barrow	
3,642,018 A	2/1972	Egolf et al.	
D252,703 S	8/1979	Cupit	
D282,961 S *	3/1986	Ryan	D23/259
D287,872 S	1/1987	Eriksson	
D293,710 S *	1/1988	Woods	D23/265
D318,101 S	7/1991	Rodgers	
5,070,972 A	12/1991	Dourson et al.	
D333,508 S *	2/1993	Wallace	D23/249
5,188,868 A	2/1993	Horii et al.	
D334,616 S *	4/1993	Nimmo	D23/249
5,320,389 A	6/1994	Dupont, Jr.	
5,464,039 A	11/1995	Bergamini	
D381,753 S *	7/1997	Ellenberger et al.	D24/196

FIG. 3 is a top, right, rear perspective view of the bag port of FIG. 1.

FIG. 4 is a rear plan view of the bag port of FIG. 1.

FIG. 5 is a left side elevation view of the bag port of FIG. 1.

FIG. 6 is a right side elevation view of the bag port of FIG. 1.

FIG. 7 is a top elevation view of the bag port of FIG. 1.

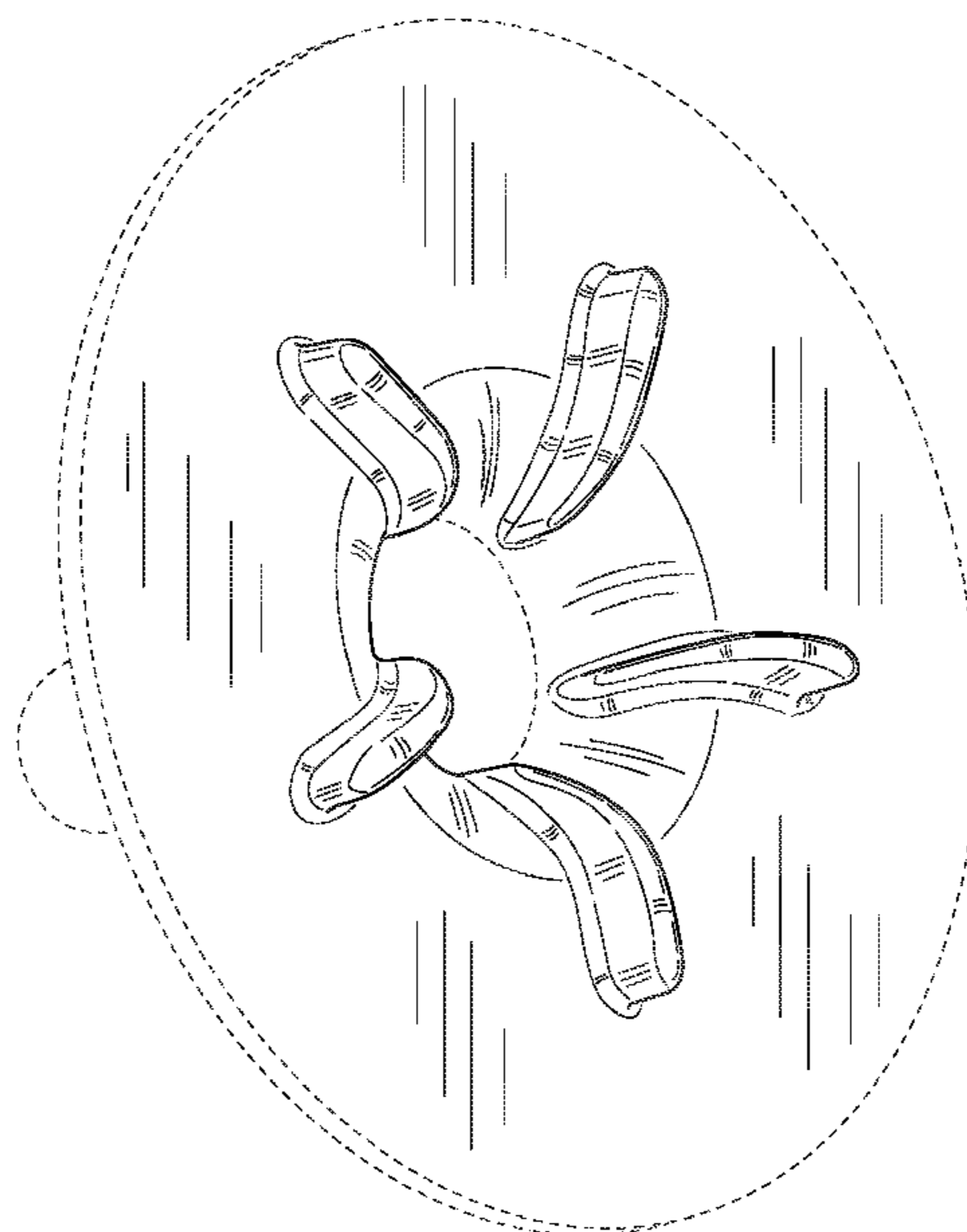
FIG. 8 is a bottom elevation view of the bag port of FIG. 1; and,

FIG. 9 is a right rear perspective view in cross section as indicated in FIG. 4 of the bag port of FIG. 1.

The broken lines in the drawings illustrate portions of the bag port which form no part of the claimed design.

(Continued)

1 Claim, 9 Drawing Sheets



(56)

References Cited

U.S. PATENT DOCUMENTS

D385,956 S * 11/1997 Doughty et al. D23/259
 5,817,113 A 10/1998 Gifford, III et al.
 5,837,180 A 11/1998 Lindor et al.
 5,971,438 A 10/1999 Johnson
 D464,409 S 10/2002 Nishio
 6,679,529 B2 1/2004 Johnson et al.
 6,696,018 B2 2/2004 Buchanan
 6,764,284 B2 7/2004 Oehman, Jr.
 6,782,333 B2 8/2004 Baker et al.
 6,893,428 B2 5/2005 Willemstyn
 7,192,420 B2 * 3/2007 Whiteford 604/336
 7,284,731 B1 10/2007 Johnson
 D580,009 S * 11/2008 LeJeune D23/209
 7,481,462 B2 1/2009 Arning et al.
 D673,267 S * 12/2012 Hardman et al. D24/129
 8,449,513 B2 * 5/2013 Abrams 604/342
 D699,839 S * 2/2014 Voic D24/127
 D701,304 S * 3/2014 Lair et al. D24/129
 2002/0148857 A1 10/2002 Savage et al.
 2003/0226857 A1 12/2003 Bibbo et al.
 2007/0044487 A1 3/2007 Craig
 2007/0102450 A1 5/2007 Stiers
 2008/0105313 A1 5/2008 Gloor et al.
 2009/0119886 A1 5/2009 Werth
 2009/0232595 A1 9/2009 Willemstyn et al.
 2010/0133807 A1 6/2010 Bilstad et al.
 2012/0228873 A1 9/2012 Steele et al.

FOREIGN PATENT DOCUMENTS

DE 202009015434 5/2010
 EP 0803273 10/1997

EP 0841085 5/1998
 EP 2003926 12/2008
 GB 2437301 10/2007
 JP 2000/170235 6/2000
 WO WO 2010/040779 4/2010

OTHER PUBLICATIONS

Bioeaze San Tri-Clamp 3/8 BRB, http://www.safcglobal.com/etc/mediali_b/docs/Sigma/Product_Information_Sheet/1807_p.PAR.0001.File.tmp/1807p.pdf, known at least as early as Sep. 28, 2010, 1 page.
 BioProcessing Fittings, Value Plastics, Inc., http://www.valueplastics.com/products/sanitary_fittings.aspx, known at least as early as Sep. 28, 2010, 3 pages.
 MitoS BioSystems, MitoS Technologies, Inc., <http://www.mitostech.com/biooptions.html>, known at least as early as Sep. 28, 2010, 12 pages.
 Port Plate—Media Bag and Bio-reactor Connector Plates, Eldon James Corp., <http://www.bioresearchonline.com/product.mvc/Port-Plate-Media-ag-and-Bio-reactor-Connecto-0001?VNETCOOKIE=NO>, known at least as early as Sep. 28, 2010, 2 pages.
 Rubber Fab Sanitary Tri-Clamp Reusable Hose Fittings, Rubber Fab Item # RFO4HBO8RTCSS, JME Ellsworth, <https://www.jmesanitary.com/Rubber-Fab-Sanitary-Tri-Clamp-Reusable-Hose-Fittings-103528.aspx>, known at least as early as Sep. 28, 2010, 2 pages.
 Sanitary Fittings, ThermoplasticBioLogic, http://www.thermoplasticbiologic.com/fittings_sanitary.html, known at least as early as Sep. 28, 2010, 3 pages.

* cited by examiner

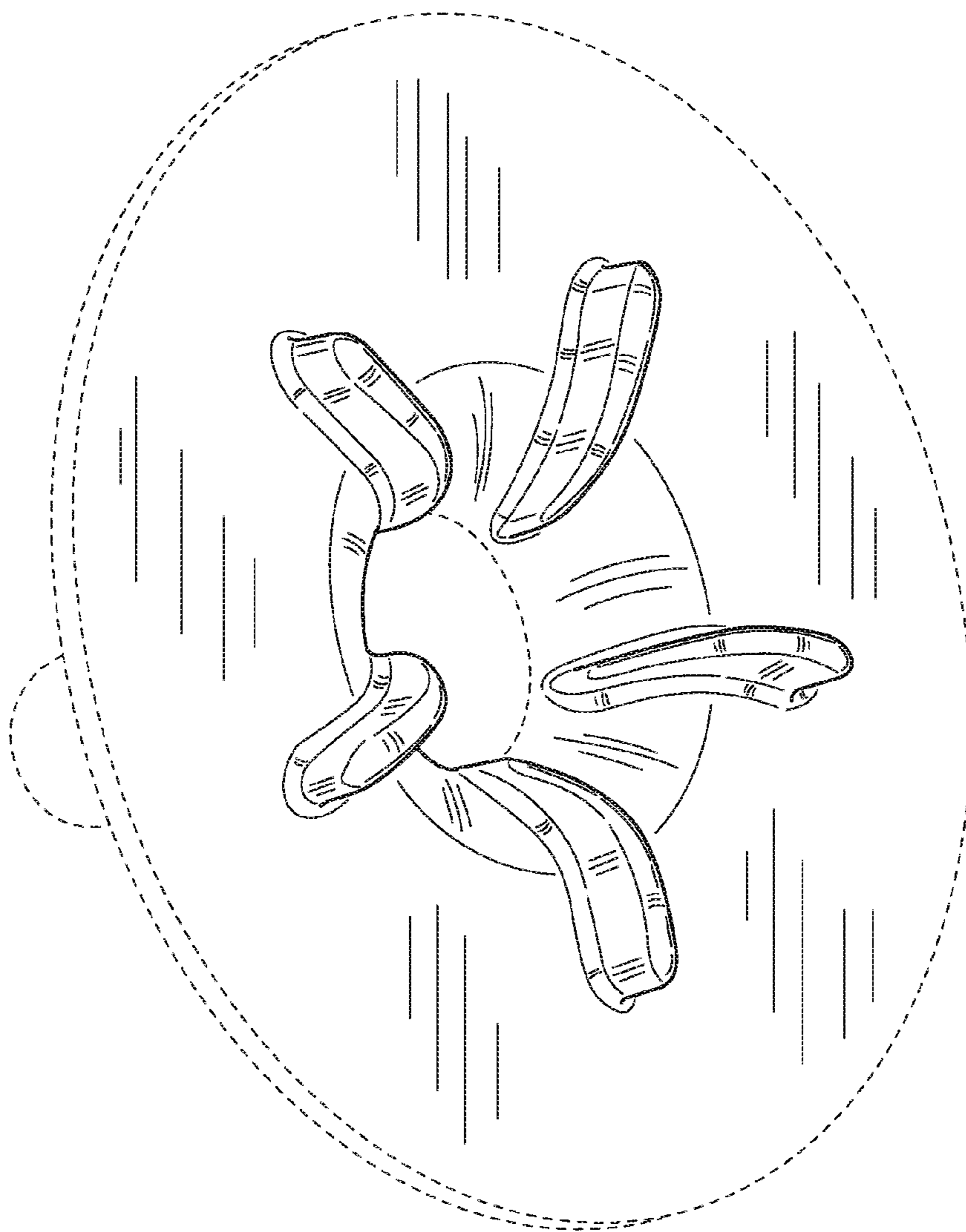


FIG.1

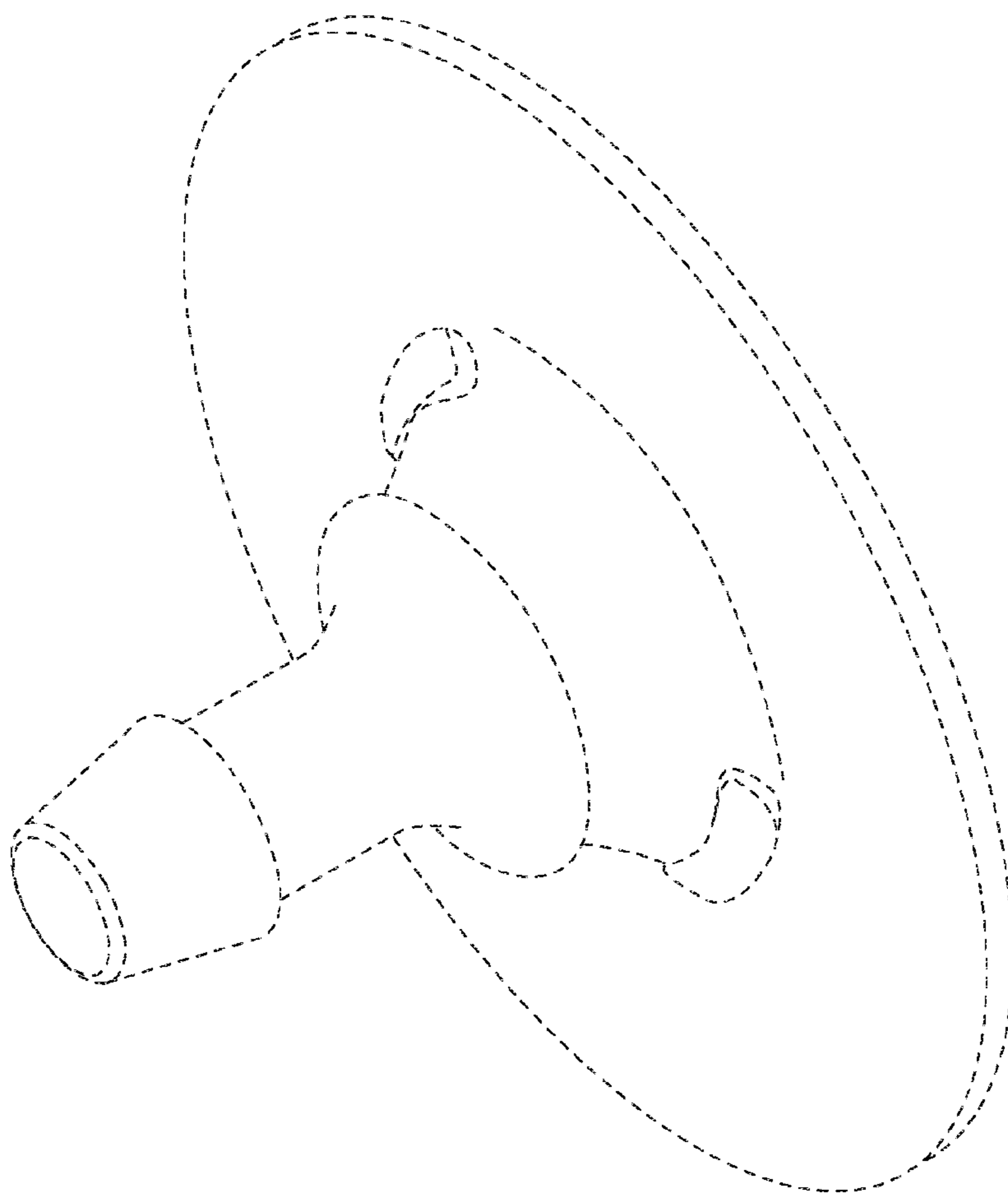


FIG.2

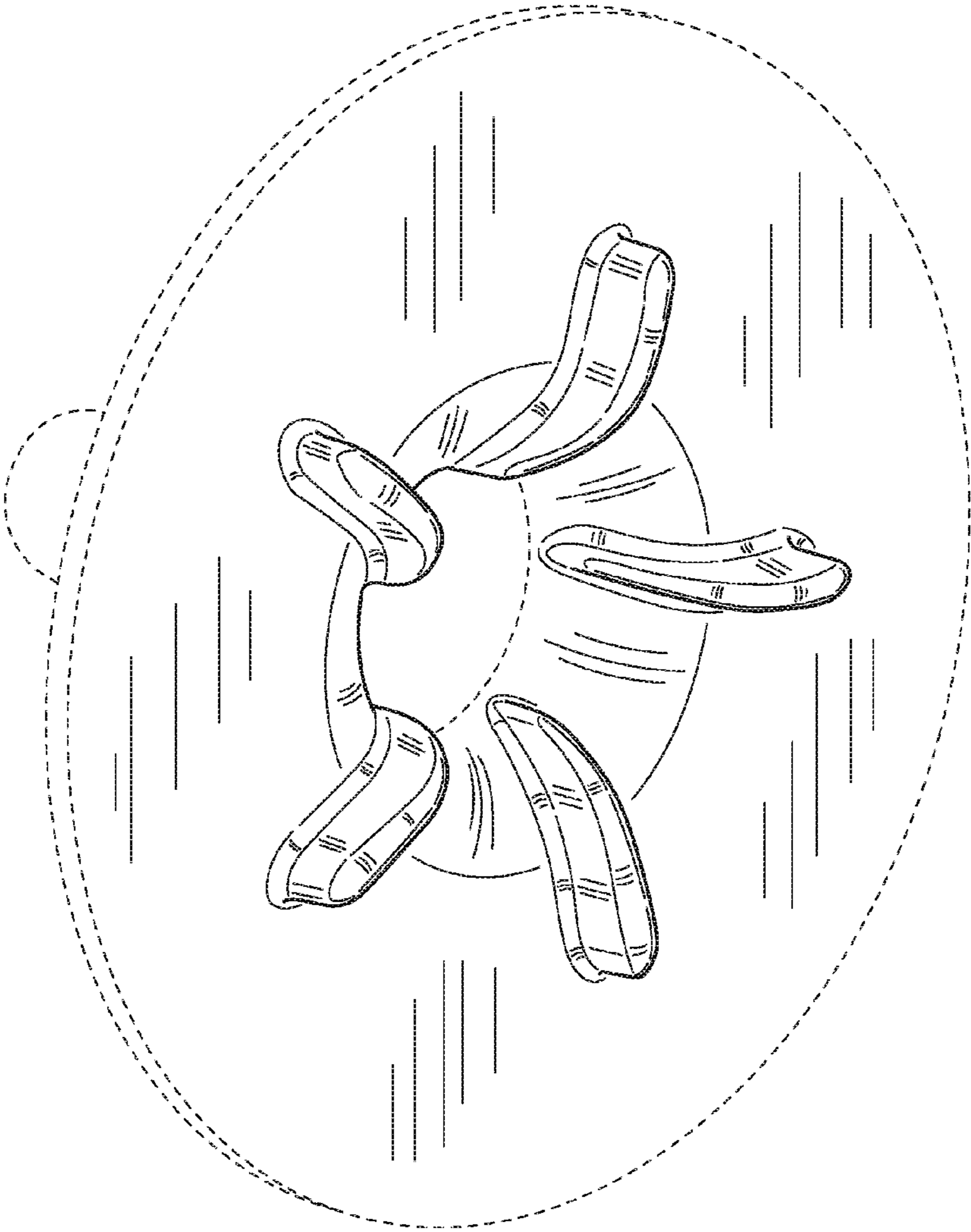


FIG.3

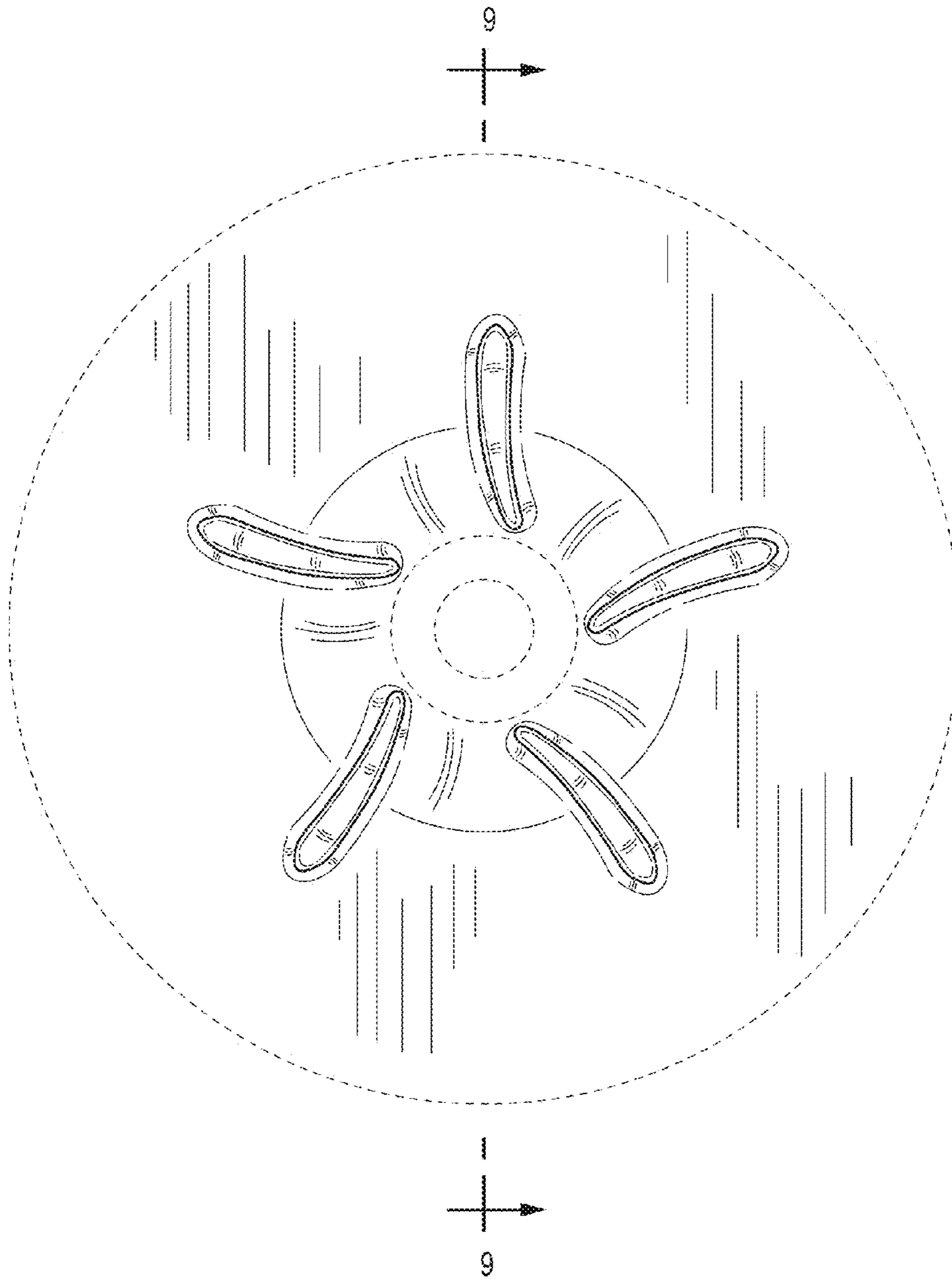


FIG.4

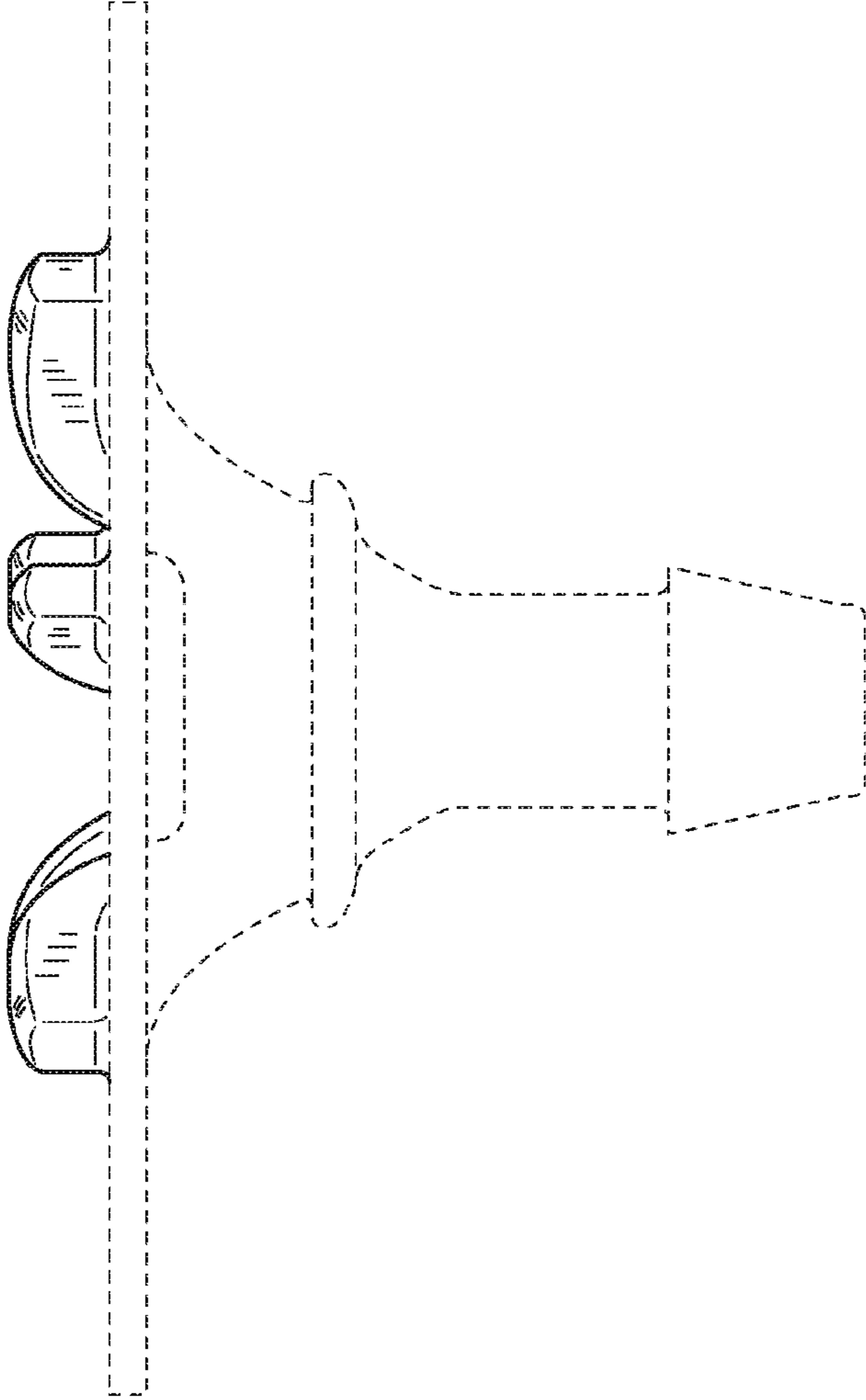


FIG.5

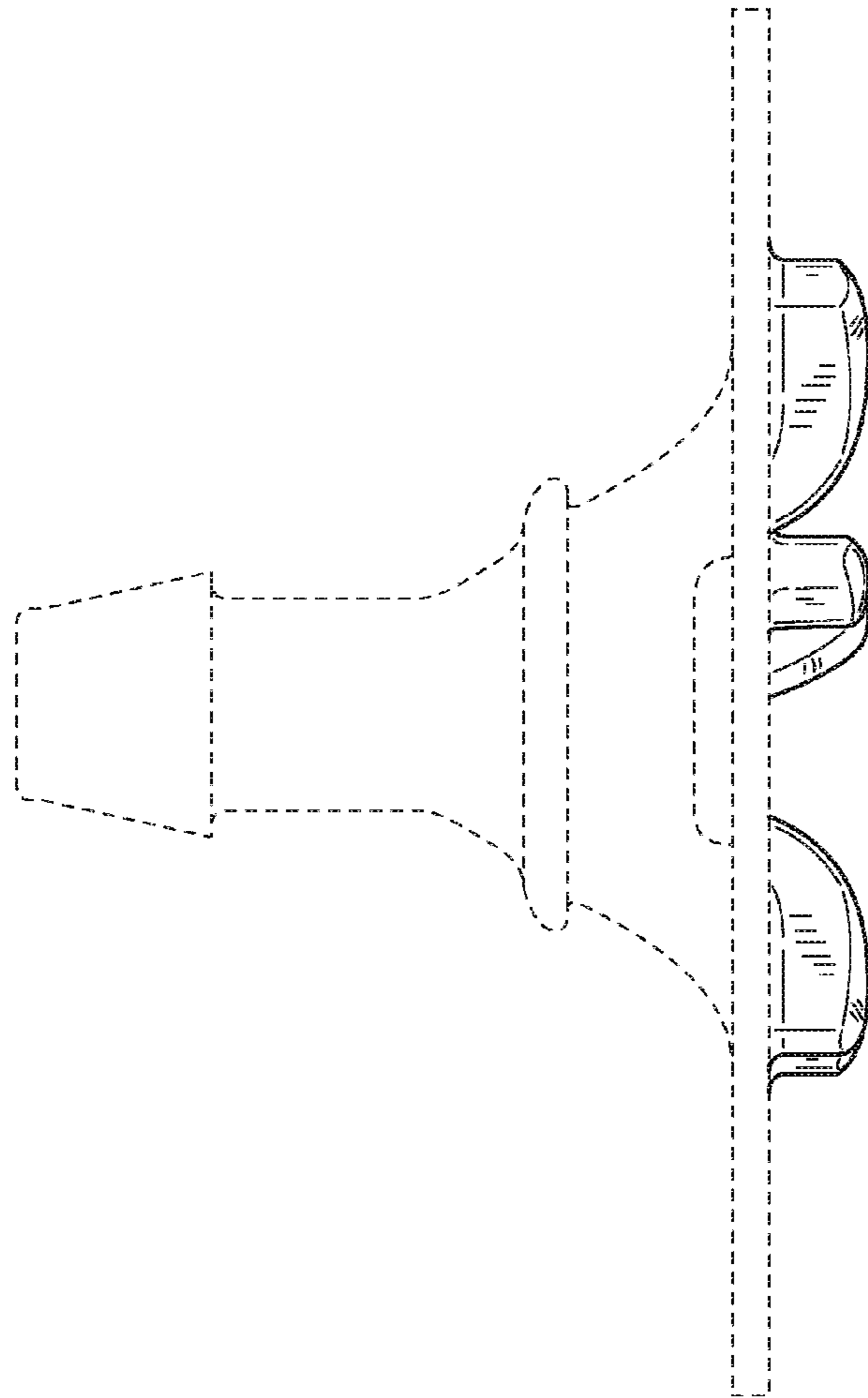


FIG.6

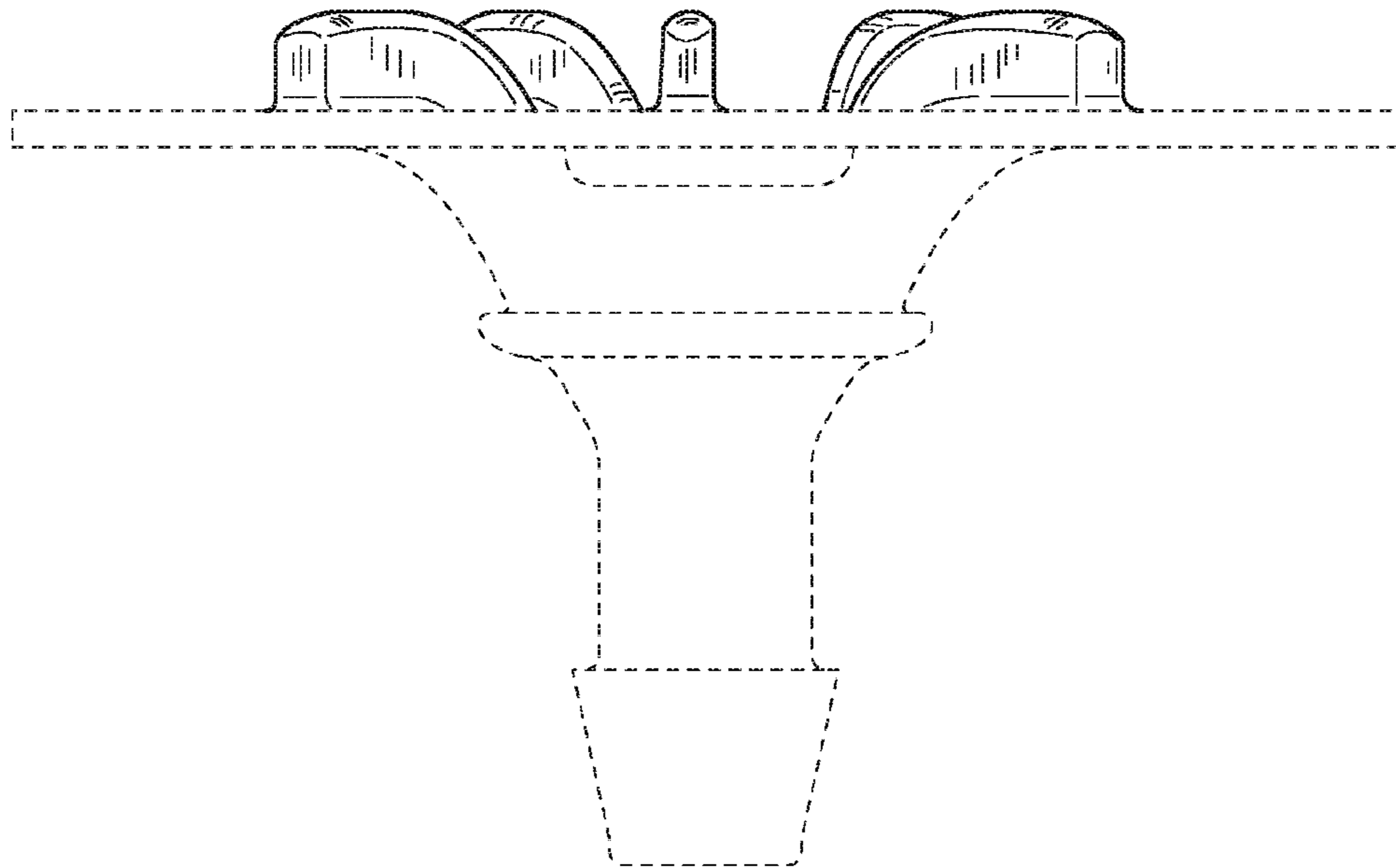


FIG.7

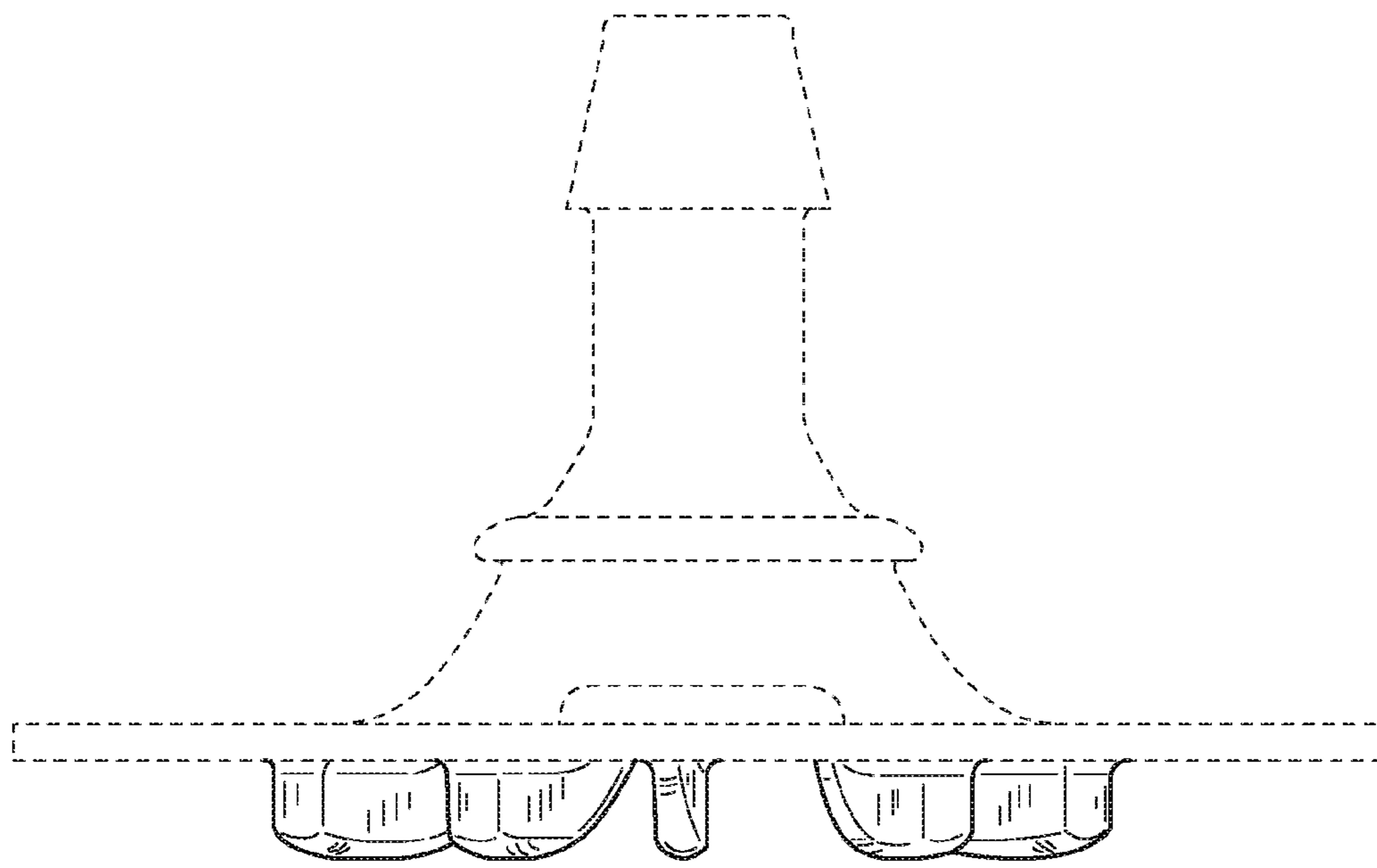


FIG.8

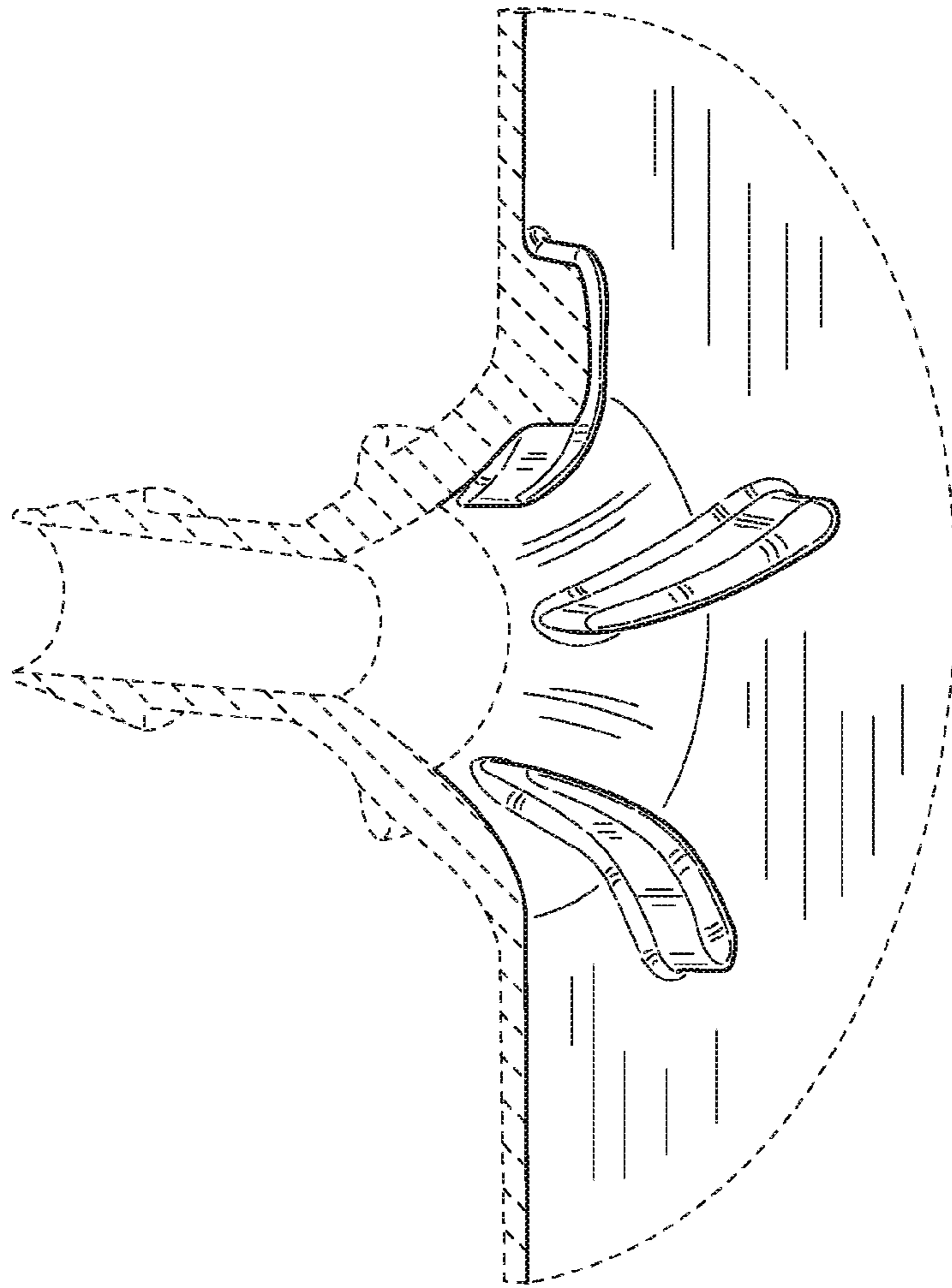


FIG.9