



US00D714436S

(12) **United States Design Patent**
Lee-Sepsick

(10) **Patent No.:** **US D714,436 S**

(45) **Date of Patent:** **** Sep. 30, 2014**

(54) **DEVICE FOR DELIVERING MATERIALS**

(75) **Inventor:** **Kathy Lee-Sepsick, Suwanee, GA (US)**

(73) **Assignee:** **Femasys Inc., Suwanee, GA (US)**

(**) **Term:** **14 Years**

(21) **Appl. No.:** **29/418,946**

(22) **Filed:** **Apr. 24, 2012**

(51) **LOC (10) Cl.** **24-02**

(52) **U.S. Cl.**
USPC **D24/112**

(58) **Field of Classification Search**
USPC D24/112, 129, 113, 114, 130, 108, 133,
D24/141; 600/135, 114, 500, 515, 104, 154,
600/435, 35
See application file for complete search history.

(56) **References Cited**

U.S. PATENT DOCUMENTS

4,945,920	A *	8/1990	Clossick	600/564
D320,276	S *	9/1991	Baum	D24/113
5,807,239	A *	9/1998	DiBernardo	600/135
D445,495	S *	7/2001	Schaefer et al.	D24/108
D573,252	S *	7/2008	Peretti et al.	D24/113
8,142,347	B2 *	3/2012	Griego et al.	600/113
8,357,193	B2 *	1/2013	Phan et al.	623/1.12
8,545,395	B2 *	10/2013	Akahoshi et al.	600/104
2005/0159648	A1 *	7/2005	Freed	600/159
2010/0056867	A1 *	3/2010	Labombard et al.	600/121
2011/0105843	A1 *	5/2011	Mueller	600/114
2012/0172662	A1 *	7/2012	Kappel et al.	600/104
2012/0316460	A1 *	12/2012	Stout	600/561
2013/0006291	A1 *	1/2013	Harari et al.	606/192
2014/0005478	A1 *	1/2014	Kennedy et al.	600/114
2014/0024934	A1 *	1/2014	Lee-Sepsick	600/435

2014/0039639	A1 *	2/2014	Lee-Sepsick et al.	623/23.7
2014/0046317	A1 *	2/2014	Truckai et al.	606/33
2014/0058414	A1 *	2/2014	Garrison et al.	606/144

* cited by examiner

Primary Examiner — Deanna L Pratt

Assistant Examiner — Ieisha Price

(74) *Attorney, Agent, or Firm* — Ballard Spahr LLP

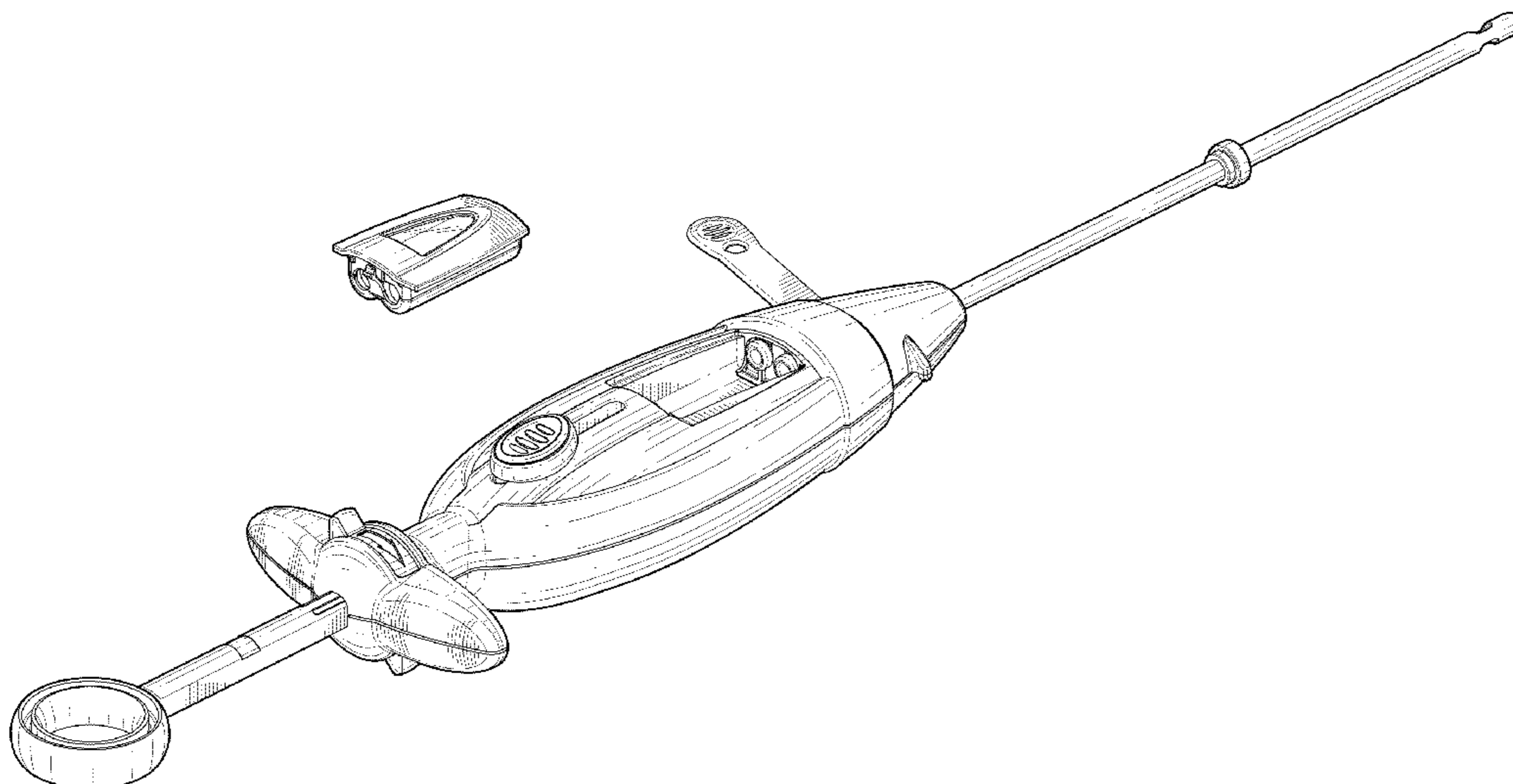
(57) **CLAIM**

The ornamental design for a device for delivering materials, as shown and described.

DESCRIPTION

FIG. 1 is a perspective view of a device for delivering materials of the present invention showing the center cover removed with the plunger and slider knob in an up position; FIG. 2 is a perspective view of a device for delivering materials of the present invention showing the center cover attached with the plunger and slider knob in an up position; FIG. 3 is a perspective view of a device for delivering materials of the present invention showing the center cover attached with plunger and slider knob in a down position; FIG. 4 is a front end elevational view of the device of FIG. 2; FIG. 5 is a back end elevational view of the device of FIG. 2; FIG. 6 right side elevational view of the device of FIG. 2; FIG. 7 is a left side elevational view of the device of FIG. 2; FIG. 8 is a front elevational view of the device of FIG. 1; FIG. 9 is a front elevational view of the device of FIG. 2; FIG. 10 is a front elevational view of the device of FIG. 3; FIG. 11 is a back elevational view of the device of FIG. 2; FIG. 12 is a perspective view of the device of FIG. 1; FIG. 13 is a perspective view of the device of FIG. 2; and, FIG. 14 is a perspective view of the device of FIG. 3.

1 Claim, 13 Drawing Sheets



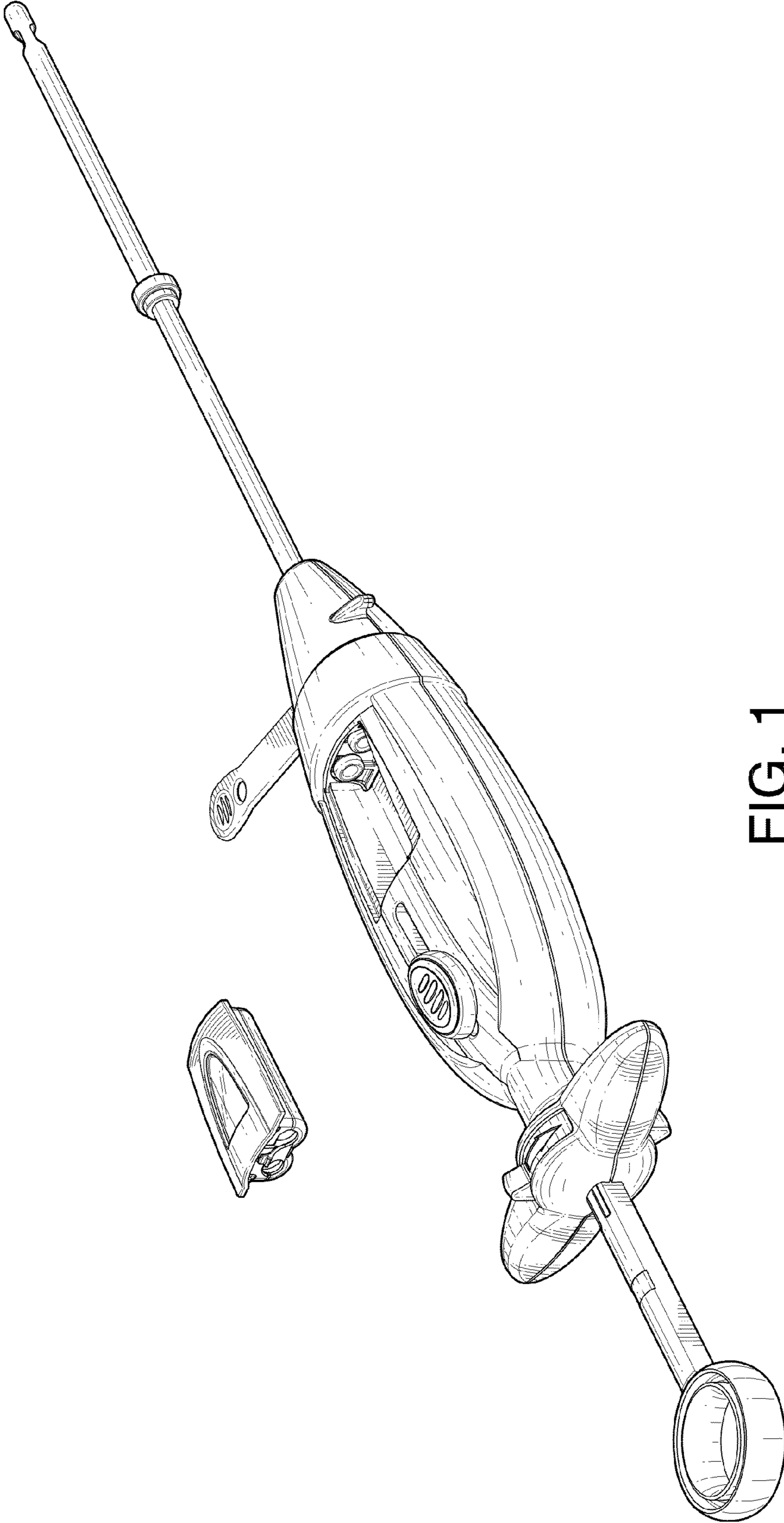


FIG. 1

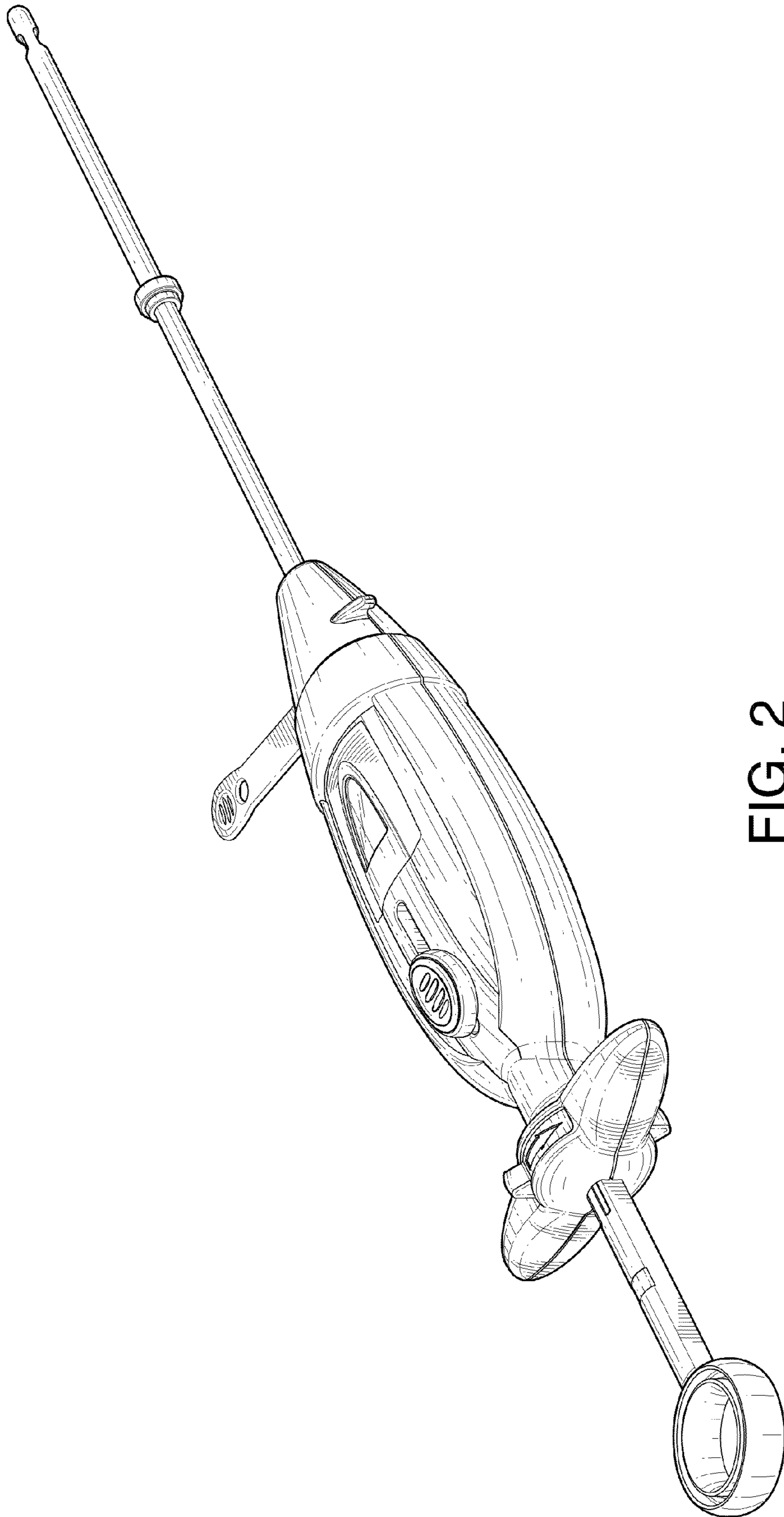


FIG. 2

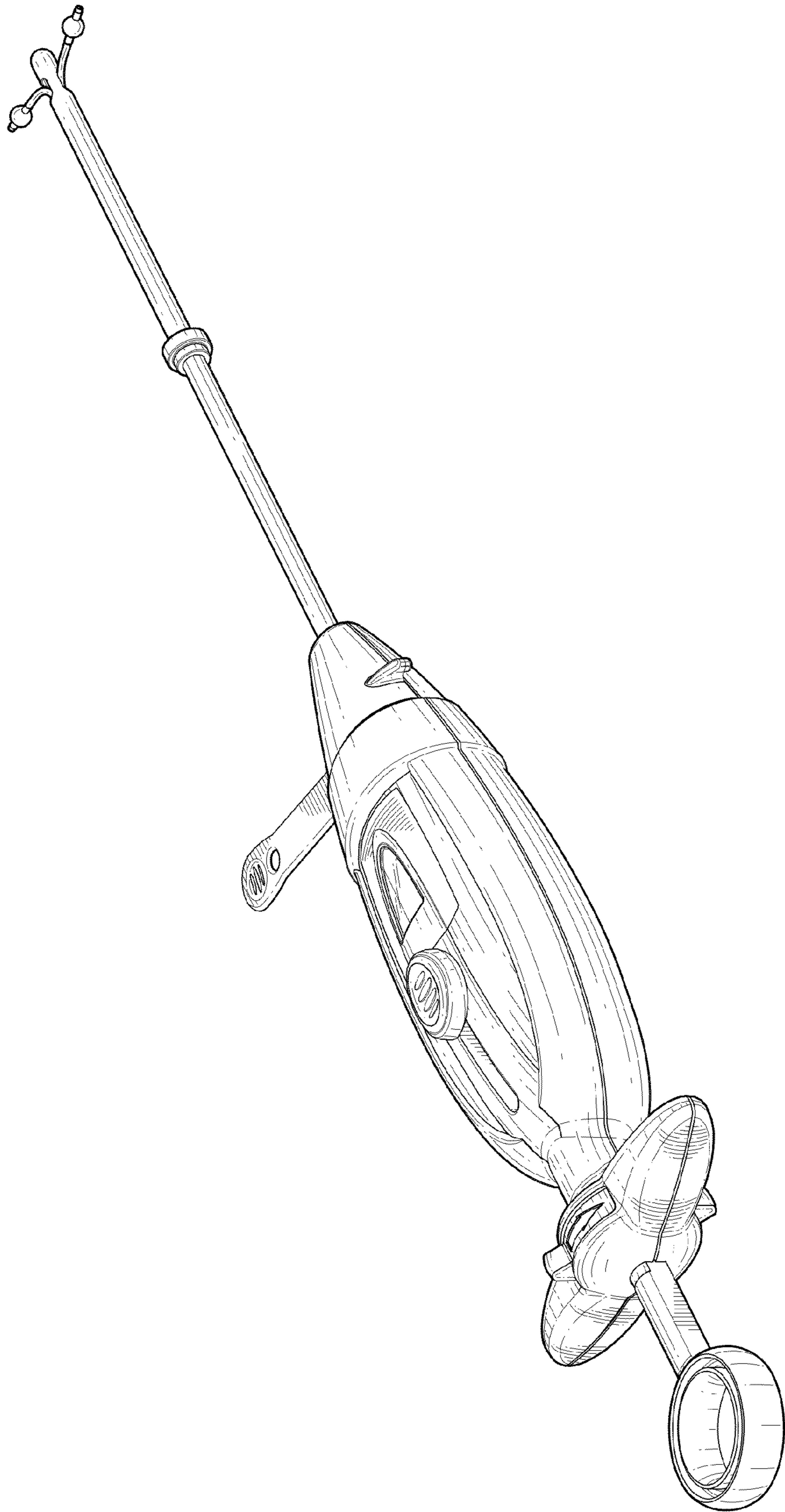


FIG. 3

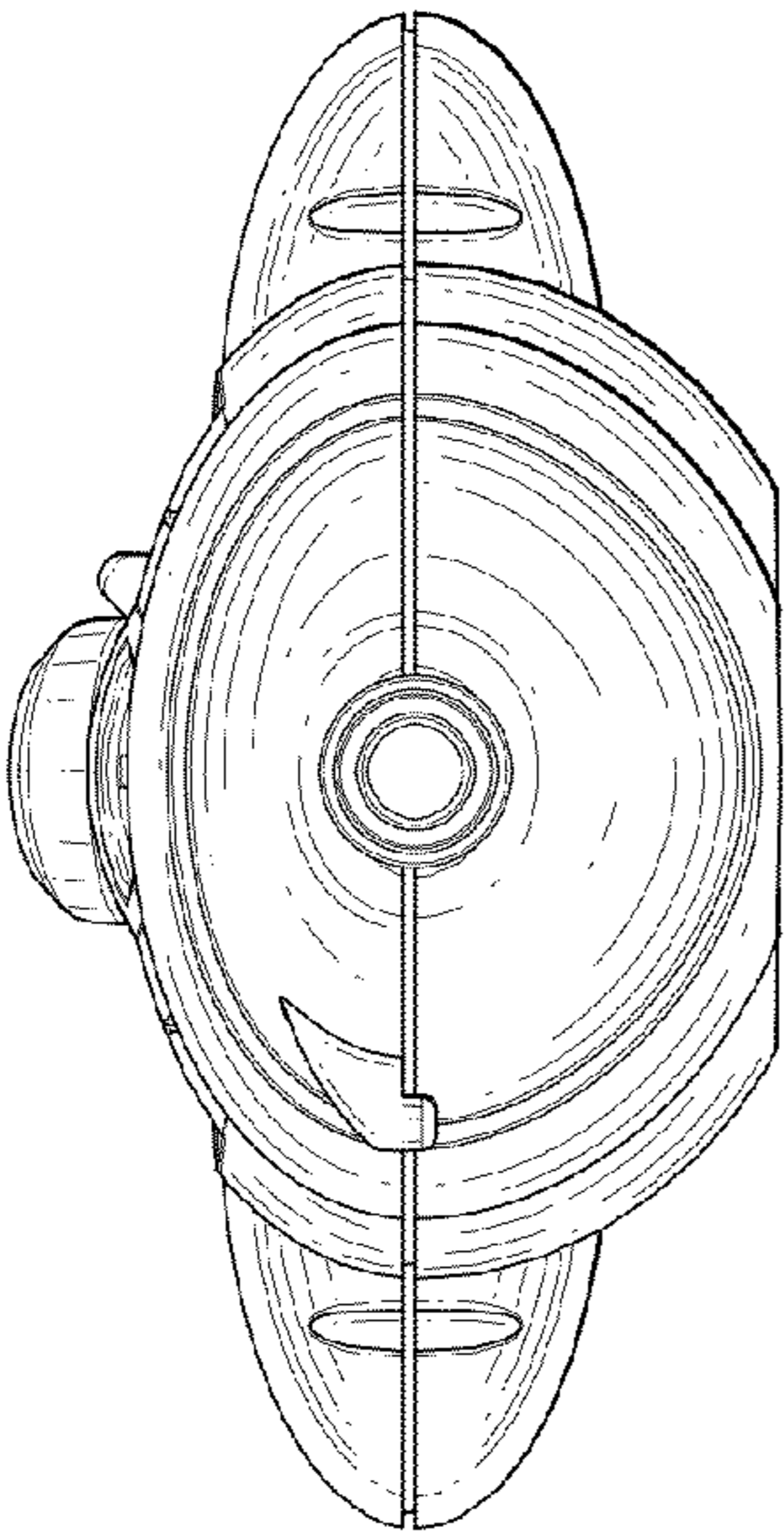


FIG. 4

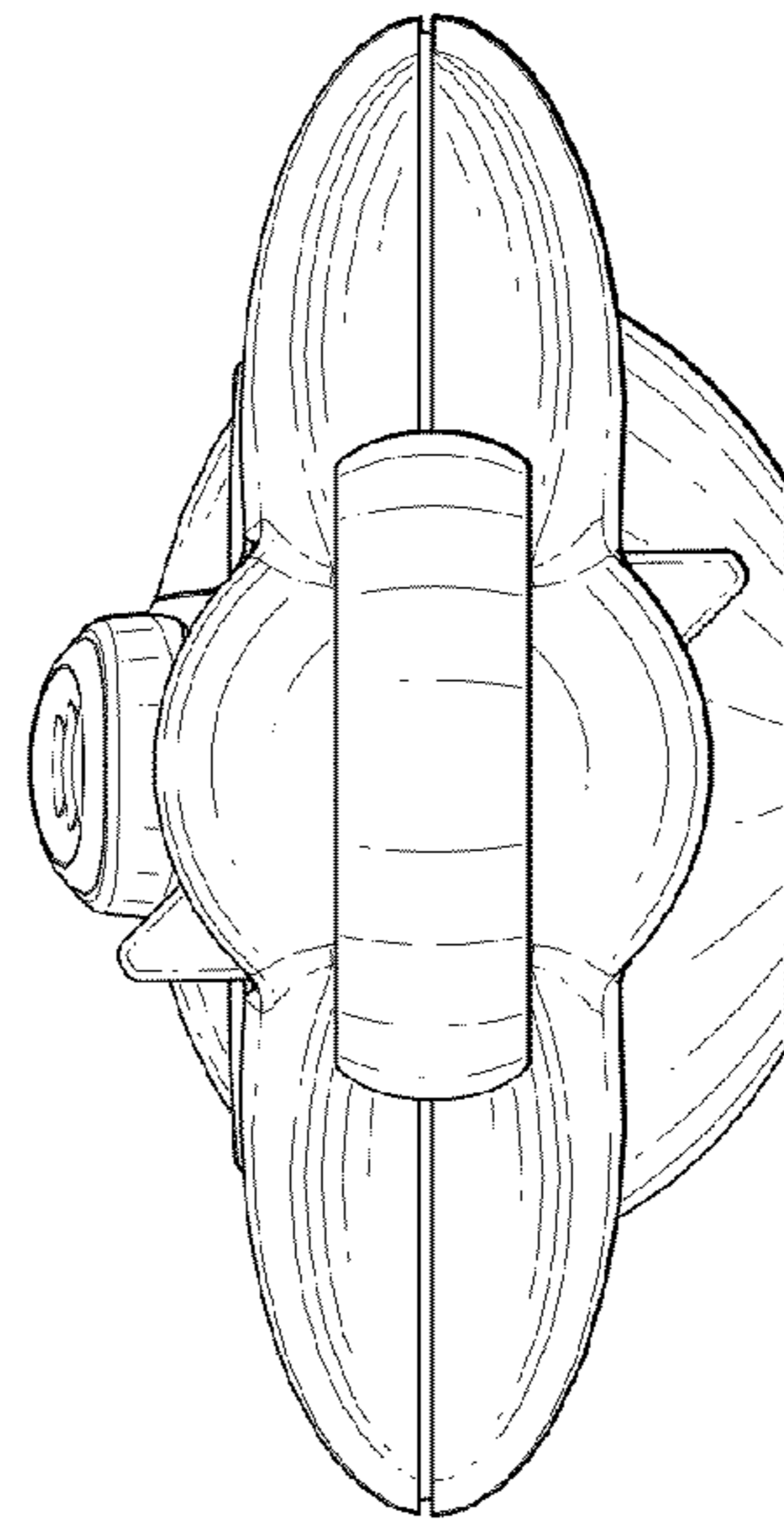


FIG. 5

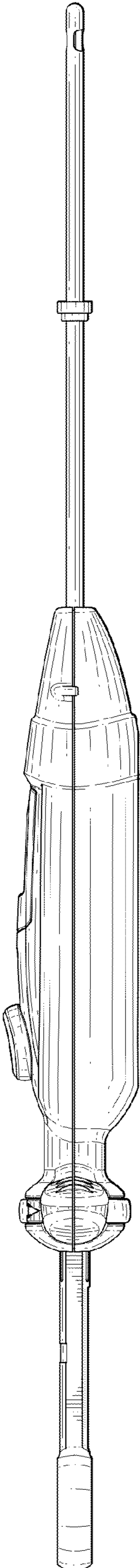


FIG. 6

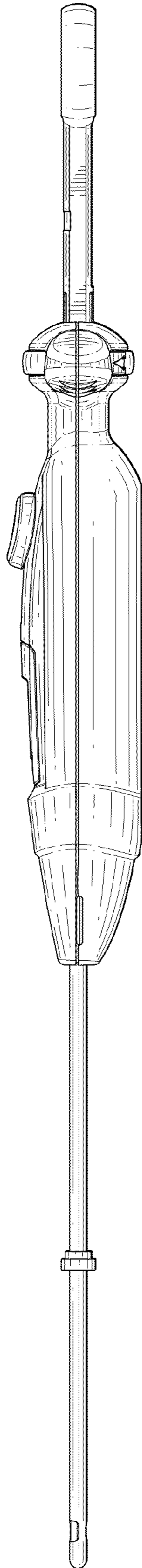


FIG. 7

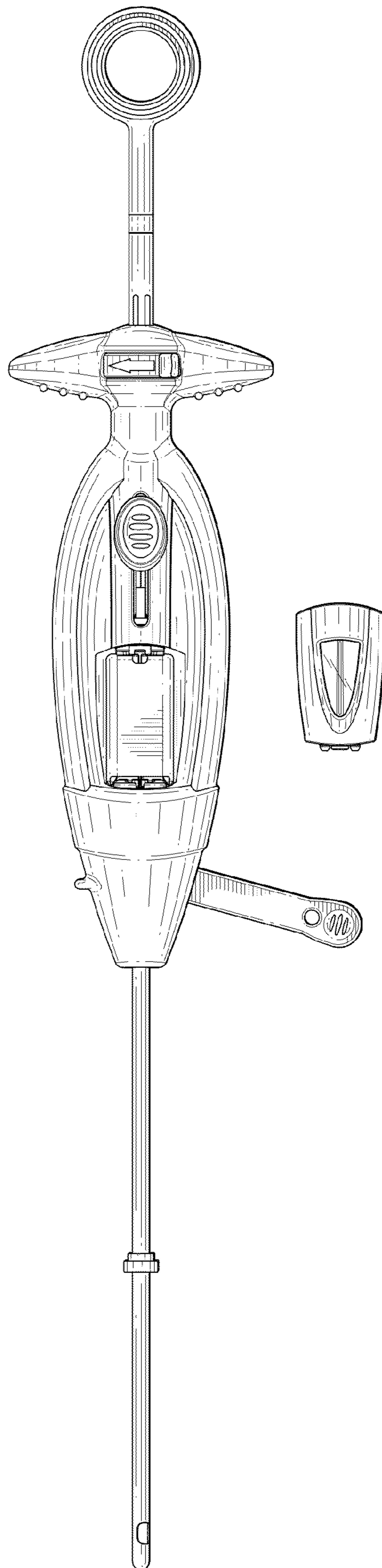


FIG. 8

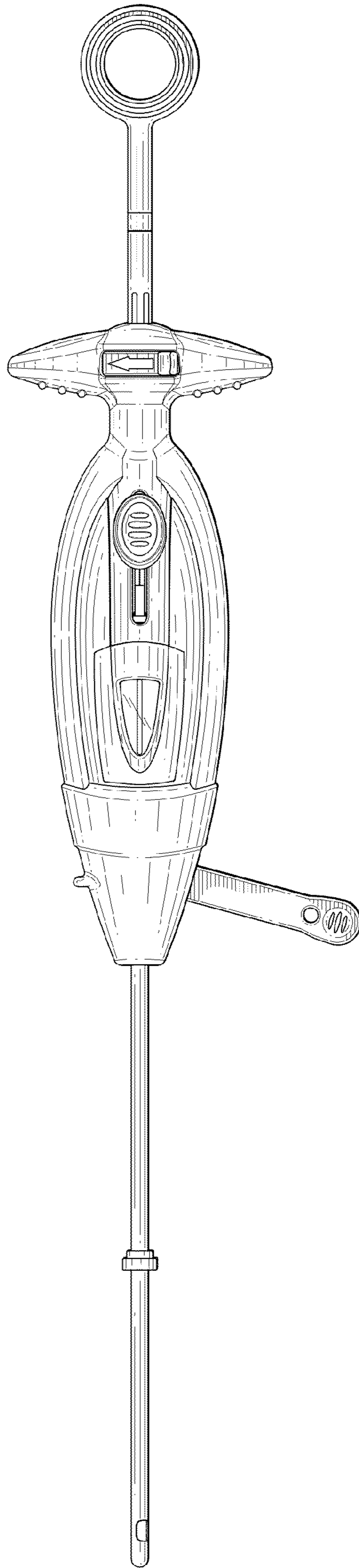


FIG. 9

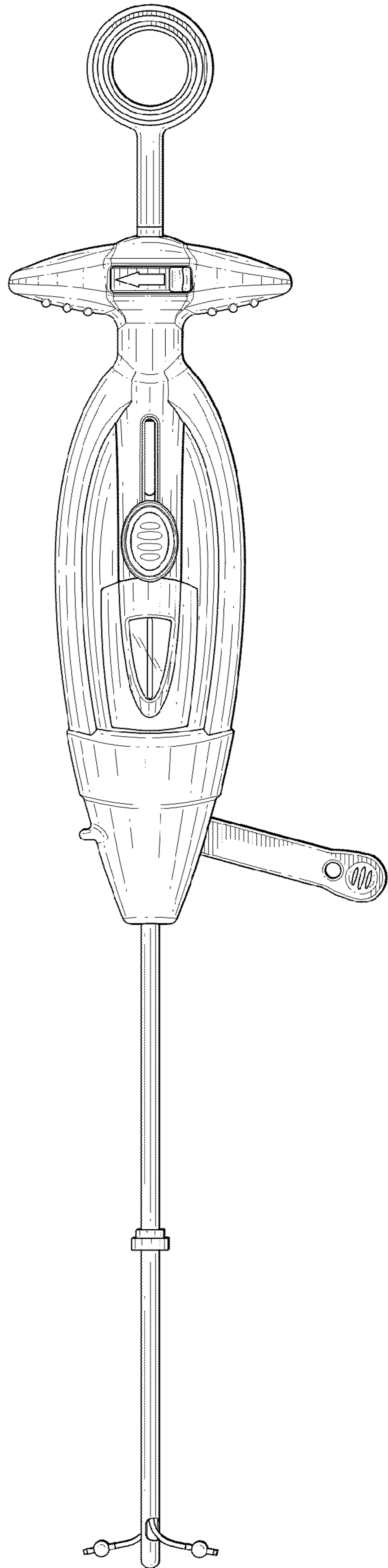


FIG. 10

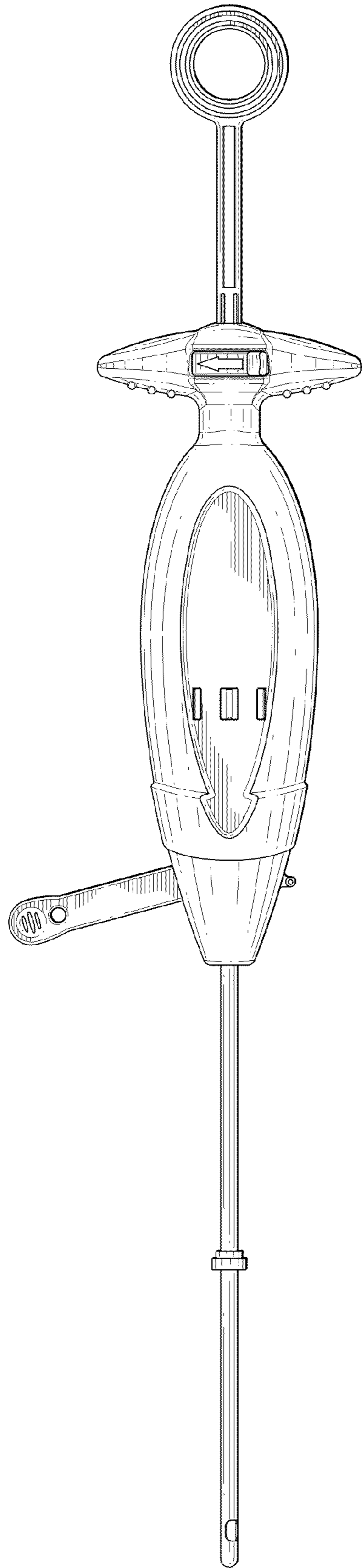


FIG. 11

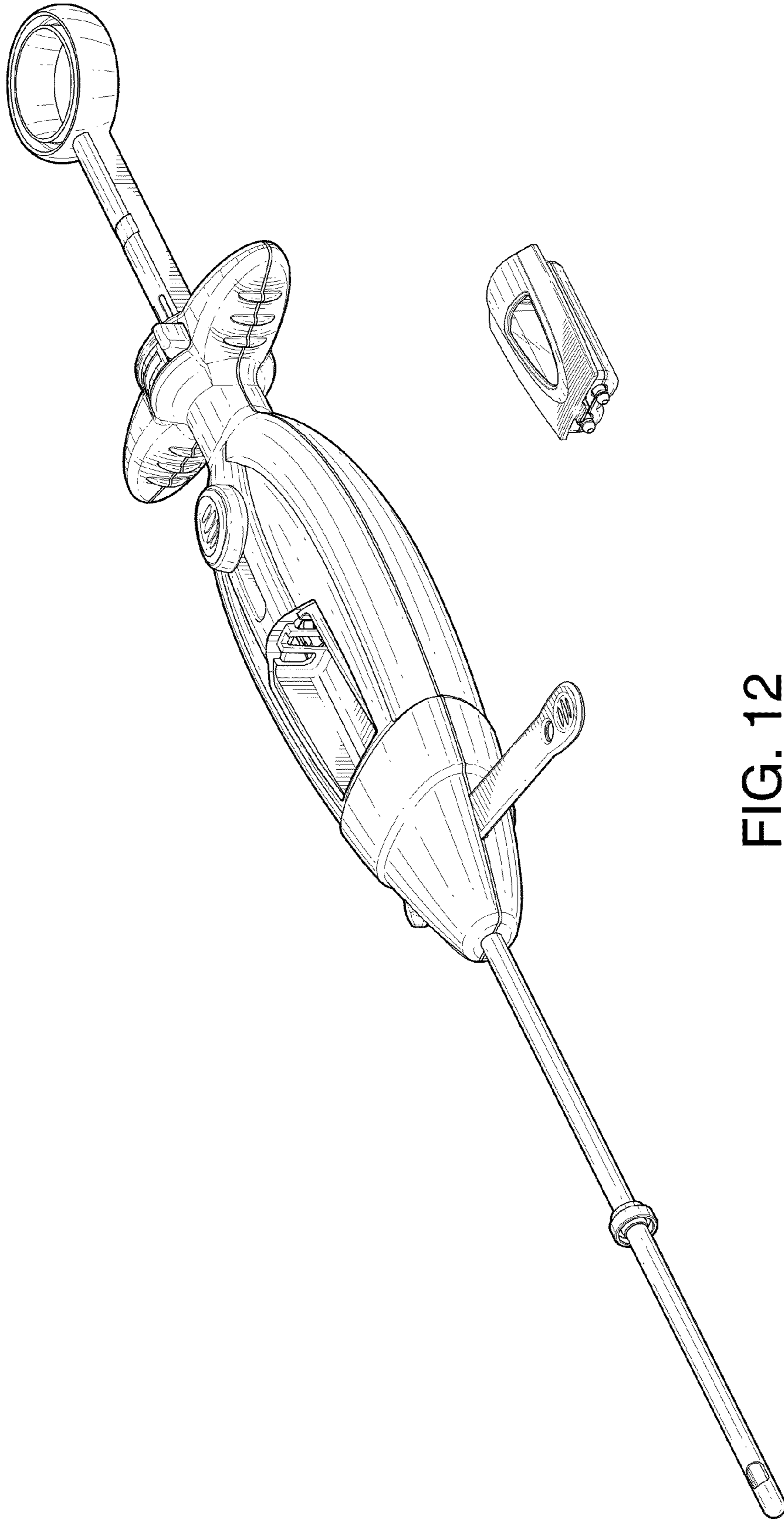


FIG. 12

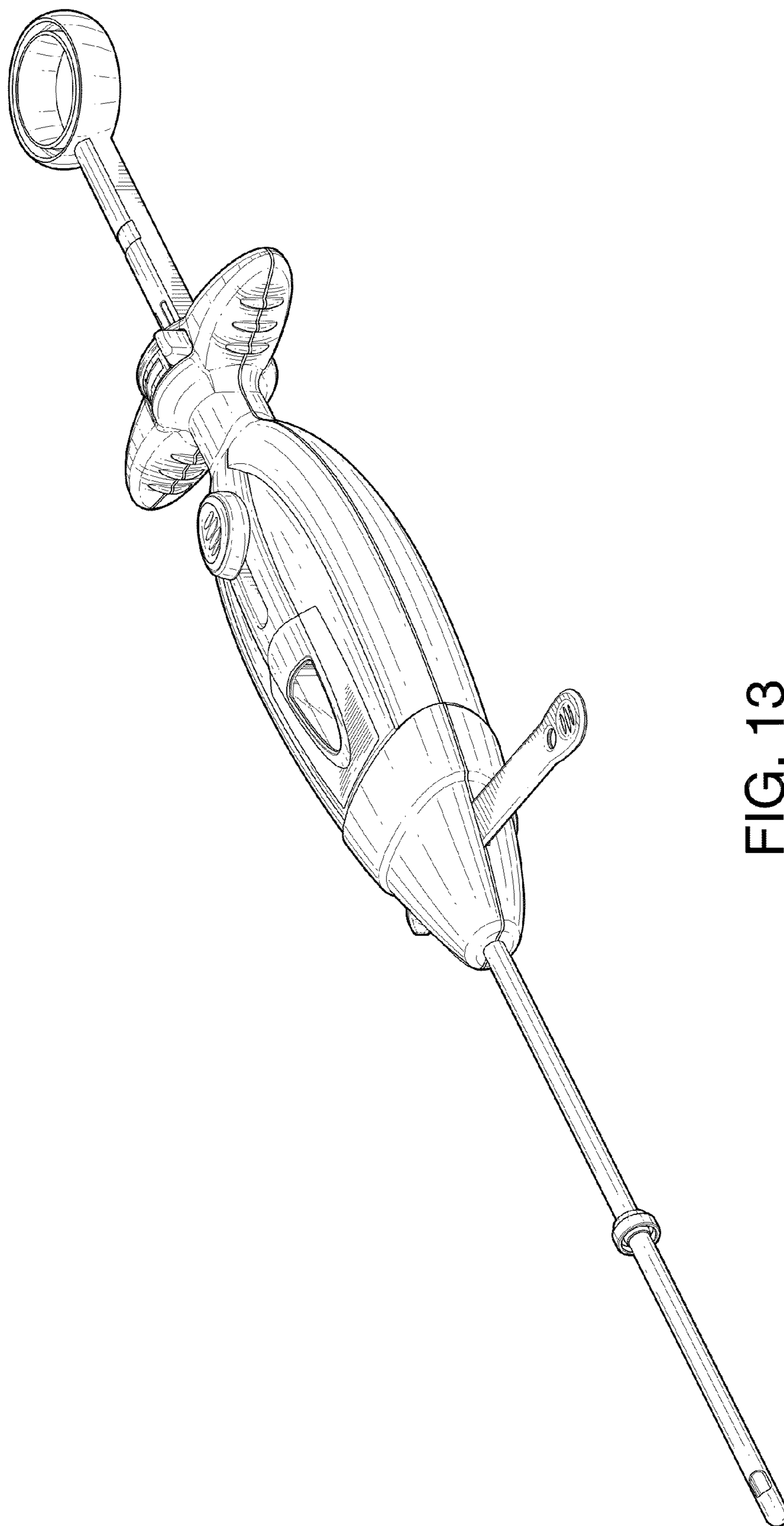


FIG. 13

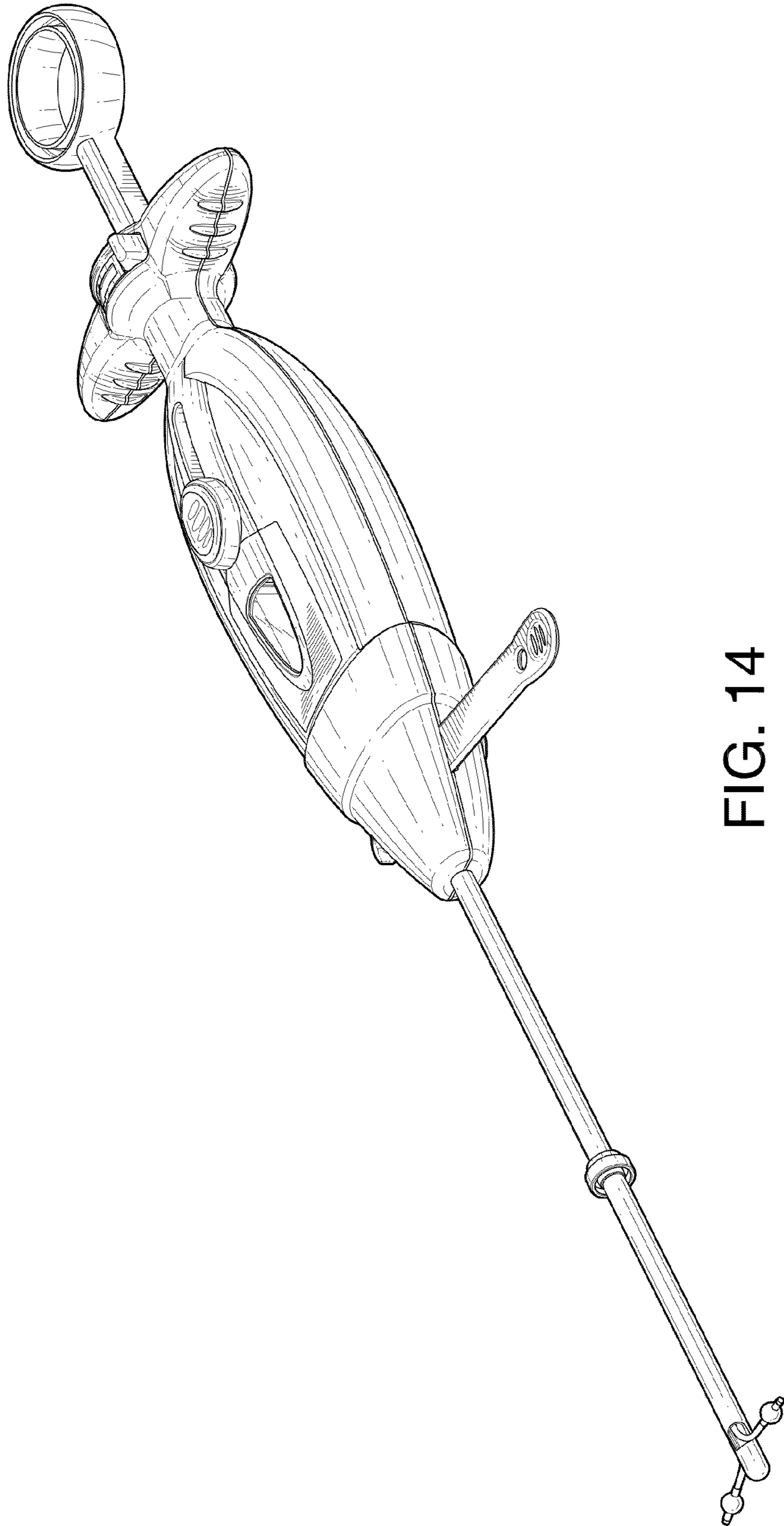


FIG. 14