



US00D714432S

(12) **United States Design Patent**
Sverdrup-Jensen et al.

(10) **Patent No.:** **US D714,432 S**
(45) **Date of Patent:** **** Sep. 30, 2014**

- (54) **PORTABLE FIREPLACE**
- (71) Applicants: **Jonas Sverdrup-Jensen**, Copenhagen (DK); **Roy N. Voss**, Elgin, IL (US)
- (72) Inventors: **Jonas Sverdrup-Jensen**, Copenhagen (DK); **Roy N. Voss**, Elgin, IL (US)
- (73) Assignee: **Weber-Stephen Products, LLC**, Palatine, IL (US)
- (**) Term: **14 Years**
- (21) Appl. No.: **29/457,869**
- (22) Filed: **Jun. 13, 2013**
- (51) **LOC (10) Cl.** **23-03**
- (52) **U.S. Cl.**
USPC **D23/499**
- (58) **Field of Classification Search**
CPC F24B 1/18; F24B 1/1802; F24B 1/181
USPC D23/405, 407, 409, 410, 415-422, 499;
D7/403, 404, 407; D13/100; 44/530,
44/550; 126/39 E, 144, 148, 242, 243, 258,
126/500, 540
See application file for complete search history.

- D427,840 S * 7/2000 Pai D7/332
- D463,707 S * 10/2002 Bossler D7/332
- 8,365,717 B1 * 2/2013 Perry 126/168
- 2011/0073098 A1 * 3/2011 Chang 126/25 B
- 2012/0070556 A1 * 3/2012 Wilson et al. 426/523
- 2012/0196232 A1 * 8/2012 Miller 431/2
- 2013/0042852 A1 * 2/2013 Cottrell 126/25 B

* cited by examiner

Primary Examiner — Karen S Acker
(74) *Attorney, Agent, or Firm* — Niro, Haller & Niro

(57) **CLAIM**
The ornamental design for a portable fireplace, as shown and described.

DESCRIPTION

FIG. 1 is a perspective view of the portable fireplace of the present invention;
 FIG. 2 is a top view of the portable fireplace of the present invention;
 FIG. 3 is a front elevational view of the portable fireplace of the present invention;
 FIG. 4 is a left side elevational view of the portable fireplace of the present invention;
 FIG. 5 is a rear elevational view of the portable fireplace of the present invention;
 FIG. 6 is a bottom view of the portable fireplace of the present invention; and,
 FIG. 7 is a perspective view of the portable fireplace of the present invention shown from the left side with a lid of the fireplace in an open and stored position.
 The broken lines in the figures represent unclaimed portions of the portable fireplace and form no part of the claimed design.

- (56) **References Cited**
U.S. PATENT DOCUMENTS
3,025,848 A * 3/1962 Malgesini 126/25 C
4,535,749 A * 8/1985 Schlosser et al. 126/25 R
D284,929 S * 8/1986 Schlosser et al. D7/332
D293,191 S * 12/1987 Stephen et al. D7/332
5,069,196 A * 12/1991 Schlosser et al. 126/25 R
D352,865 S * 11/1994 Pai D7/337

1 Claim, 4 Drawing Sheets

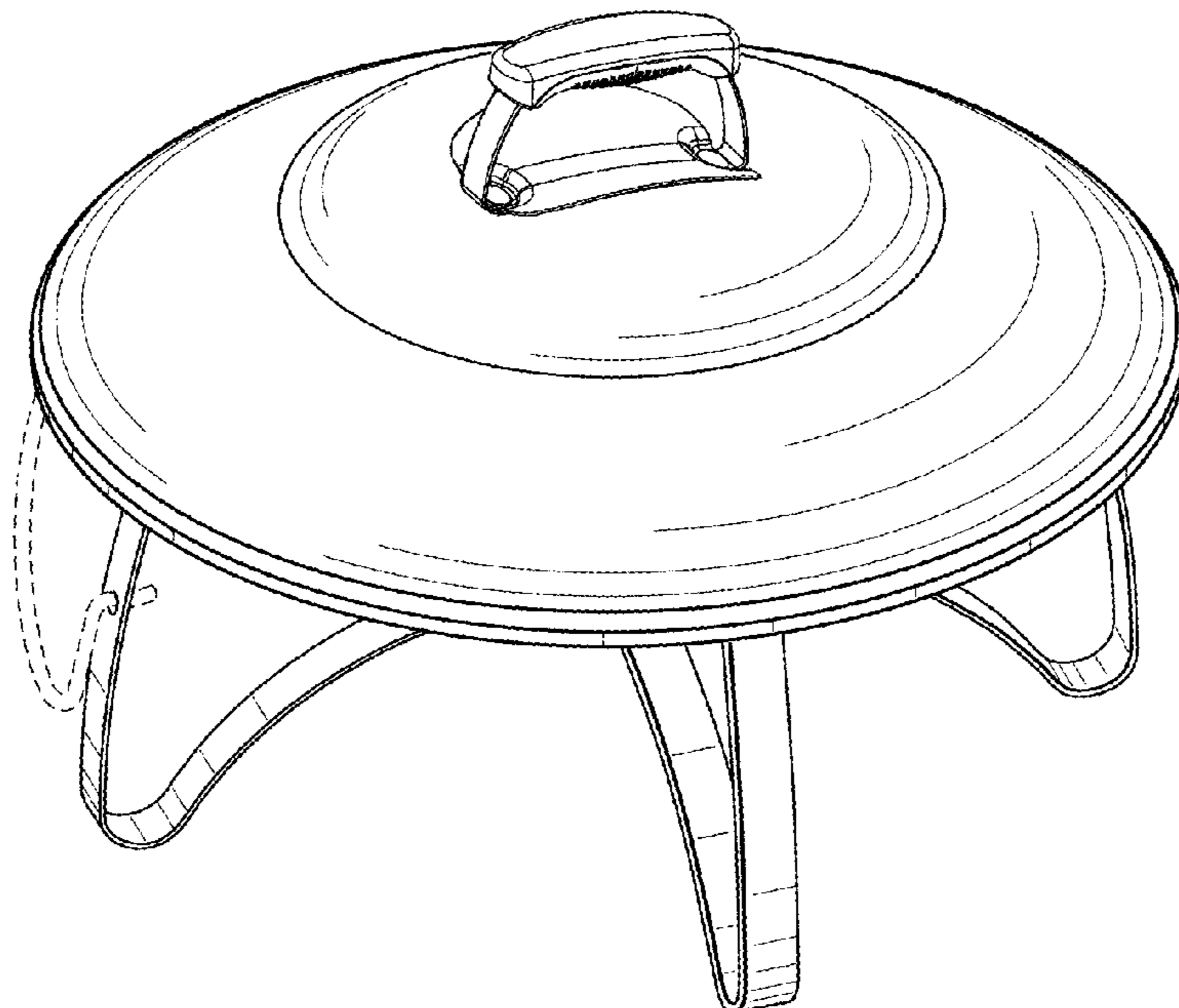


Fig. 1

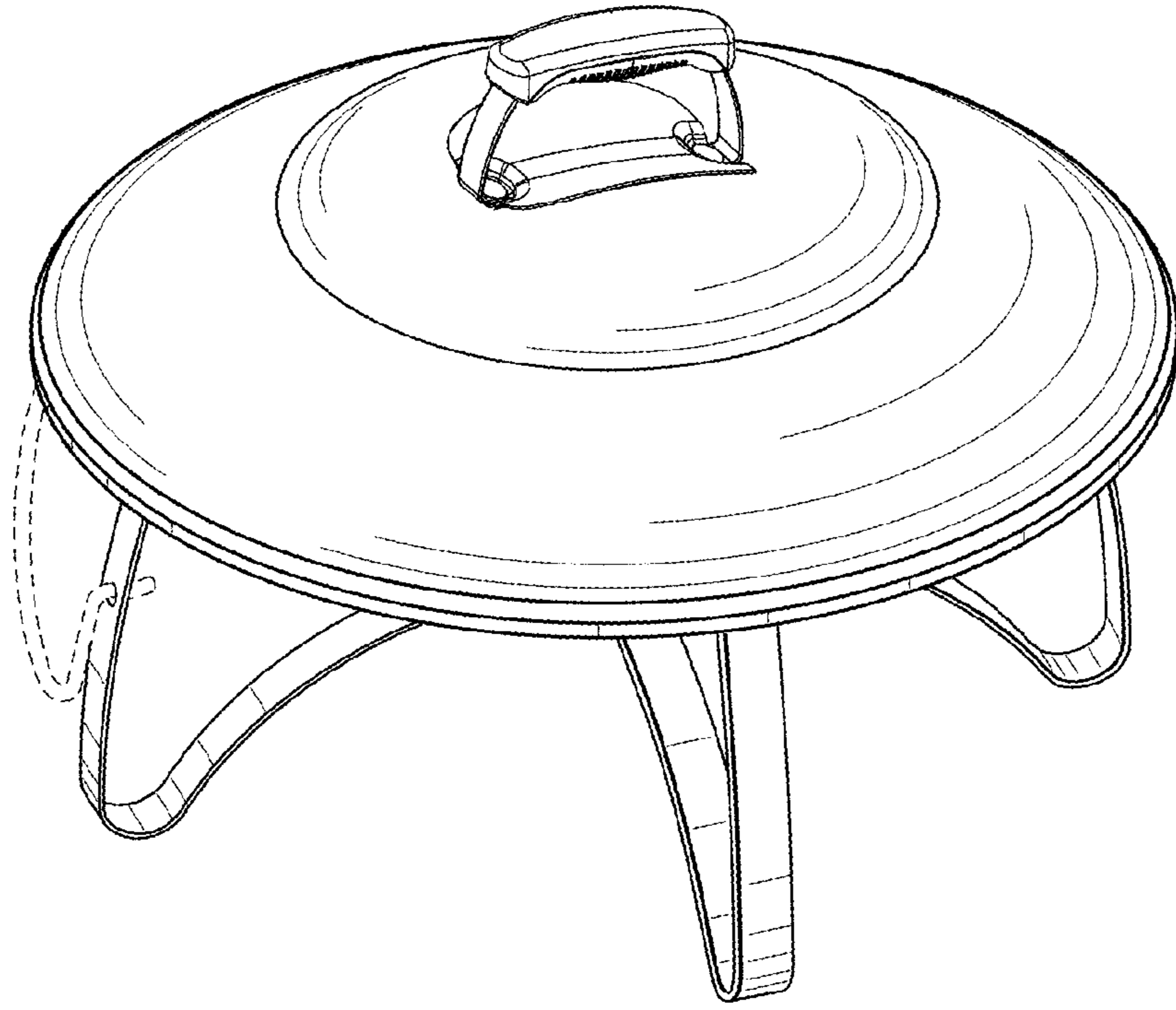


Fig. 2

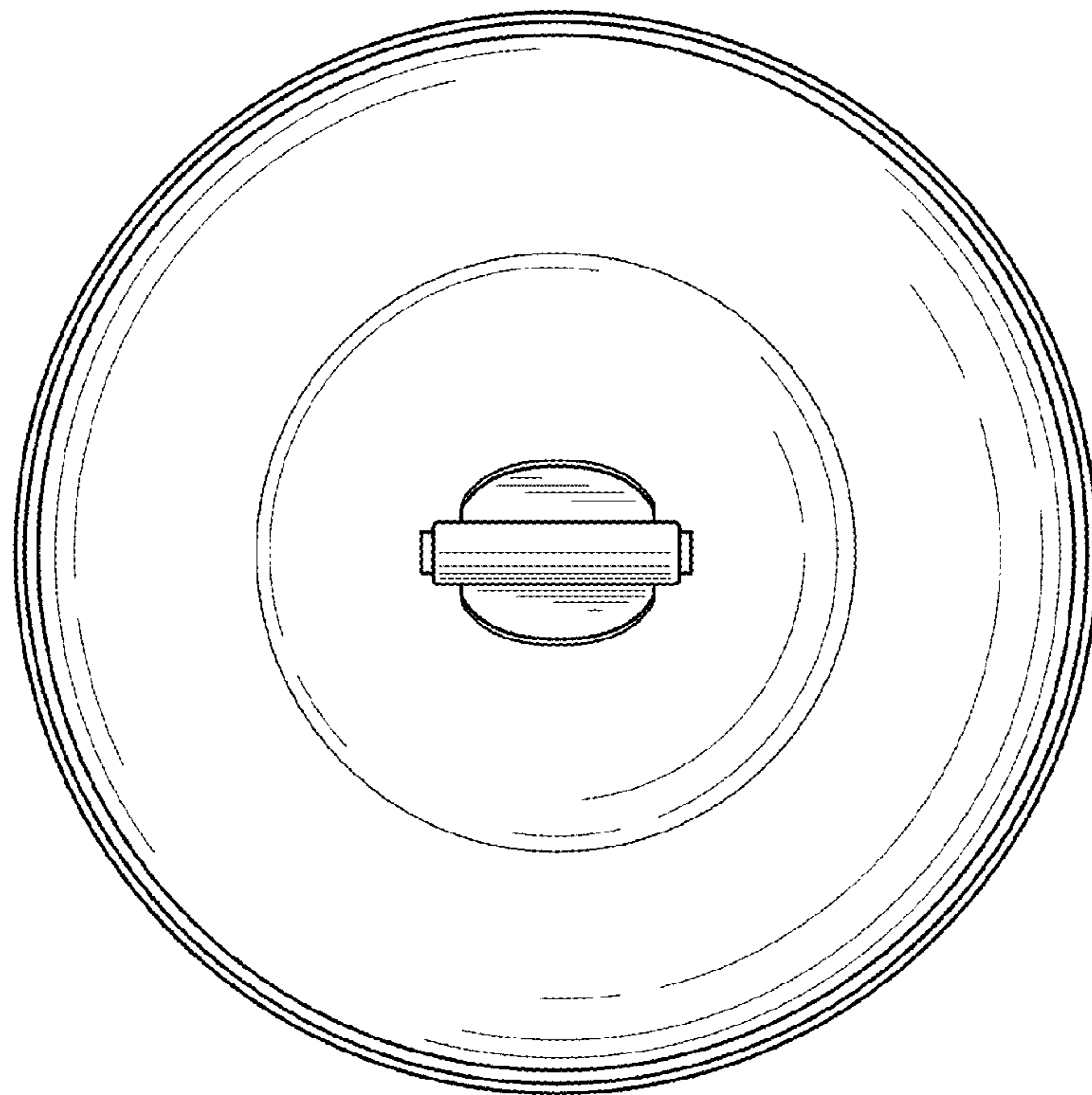


Fig. 3

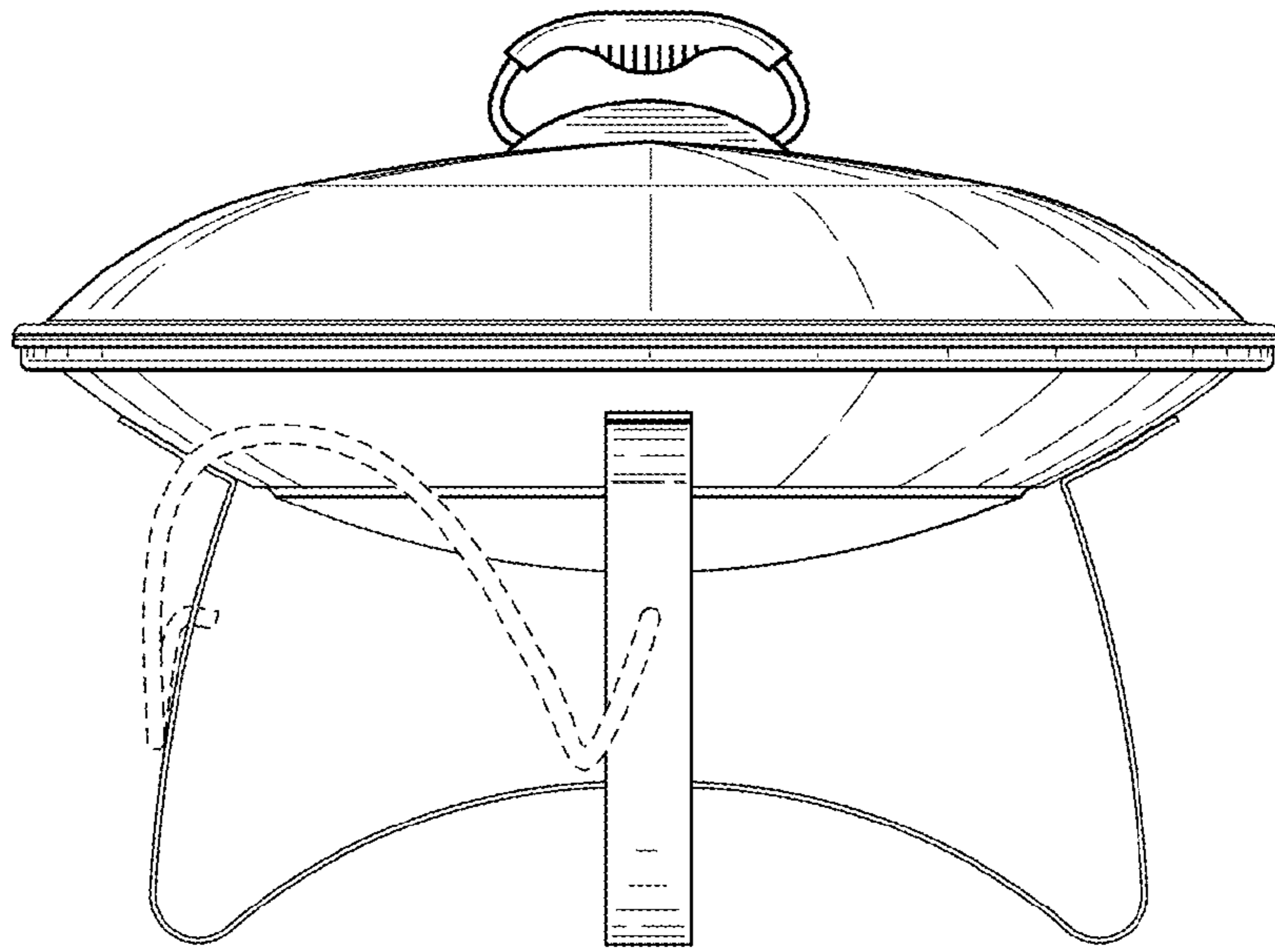


Fig. 4

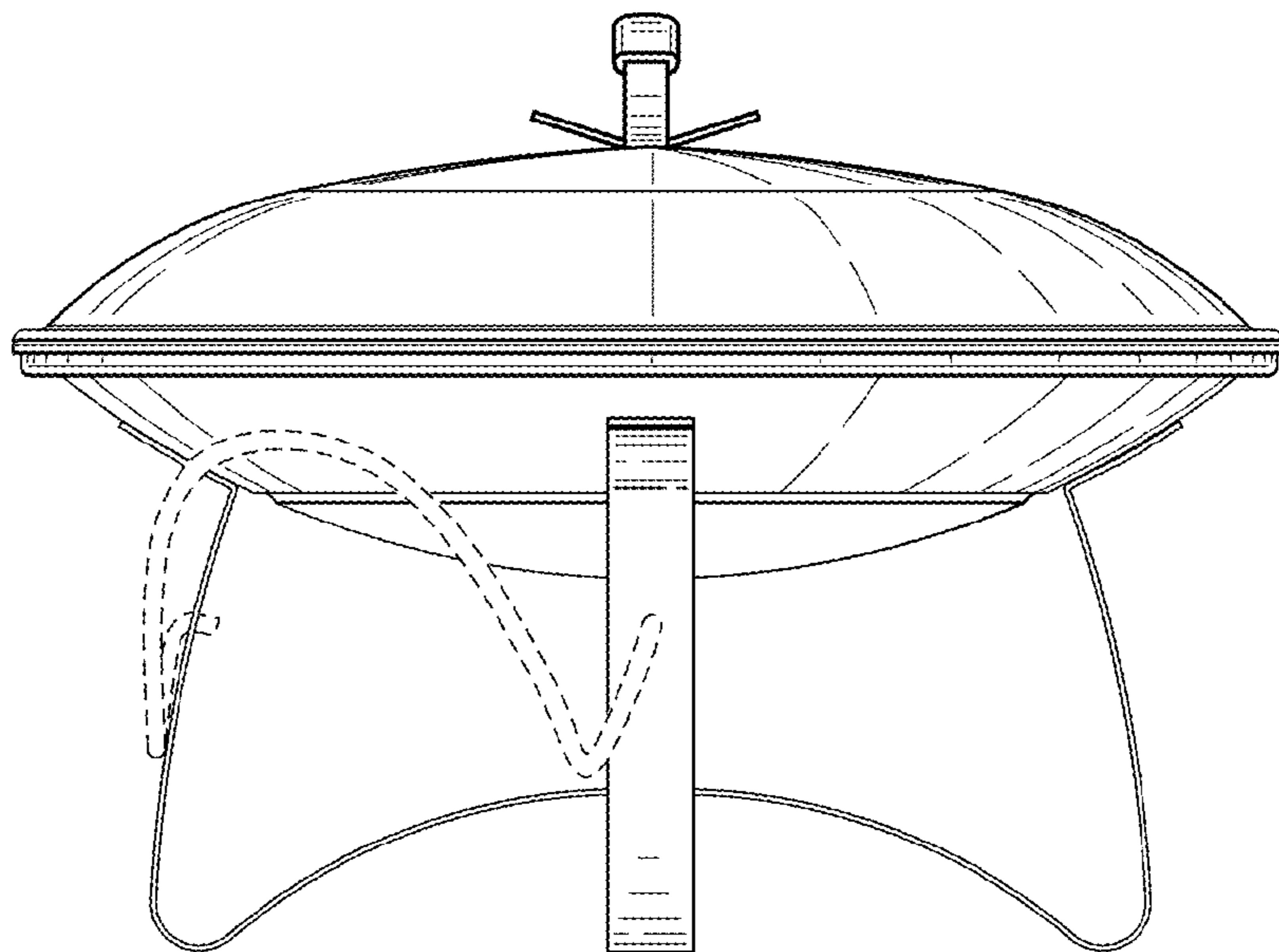


Fig. 5

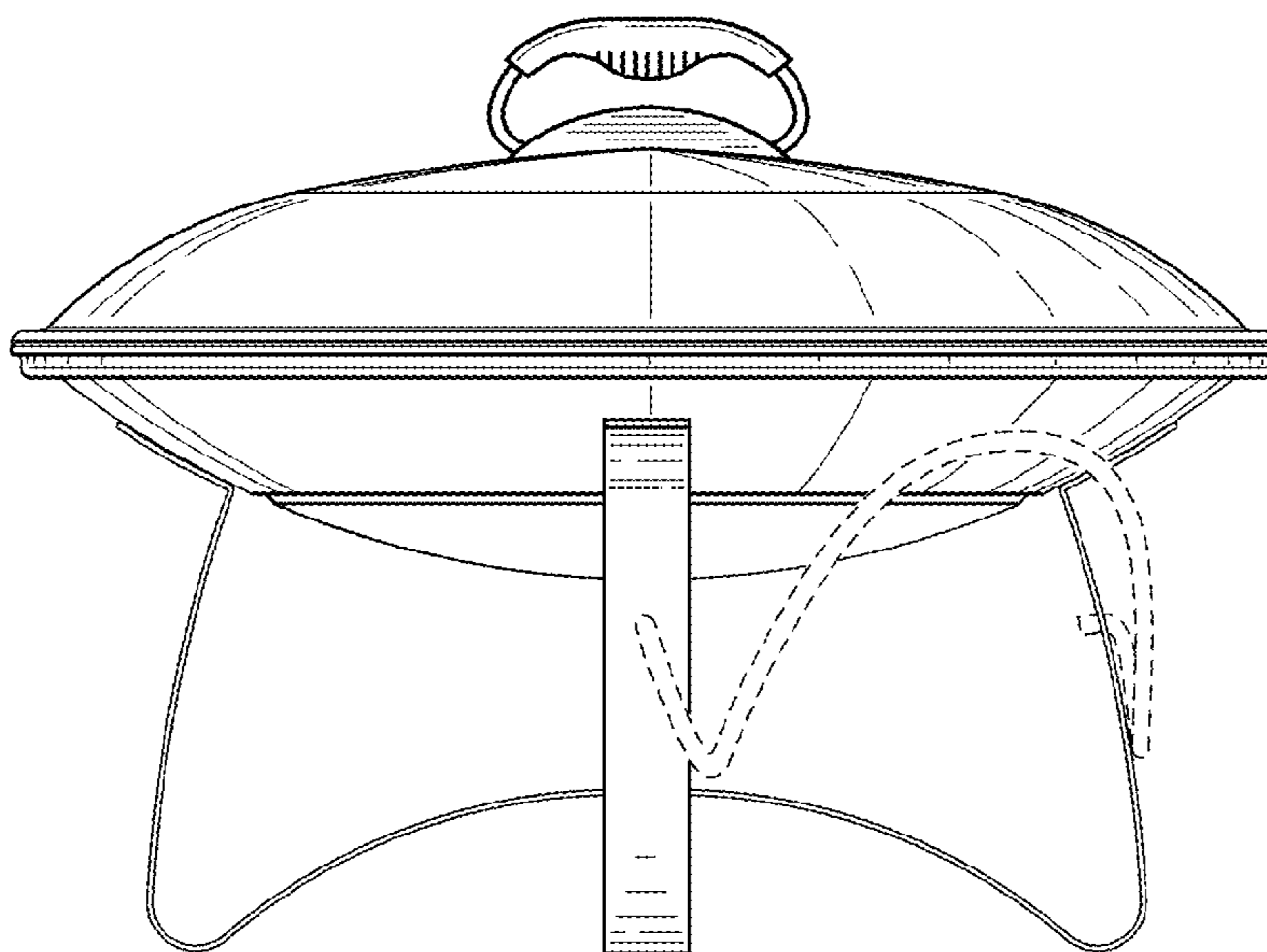


Fig. 6

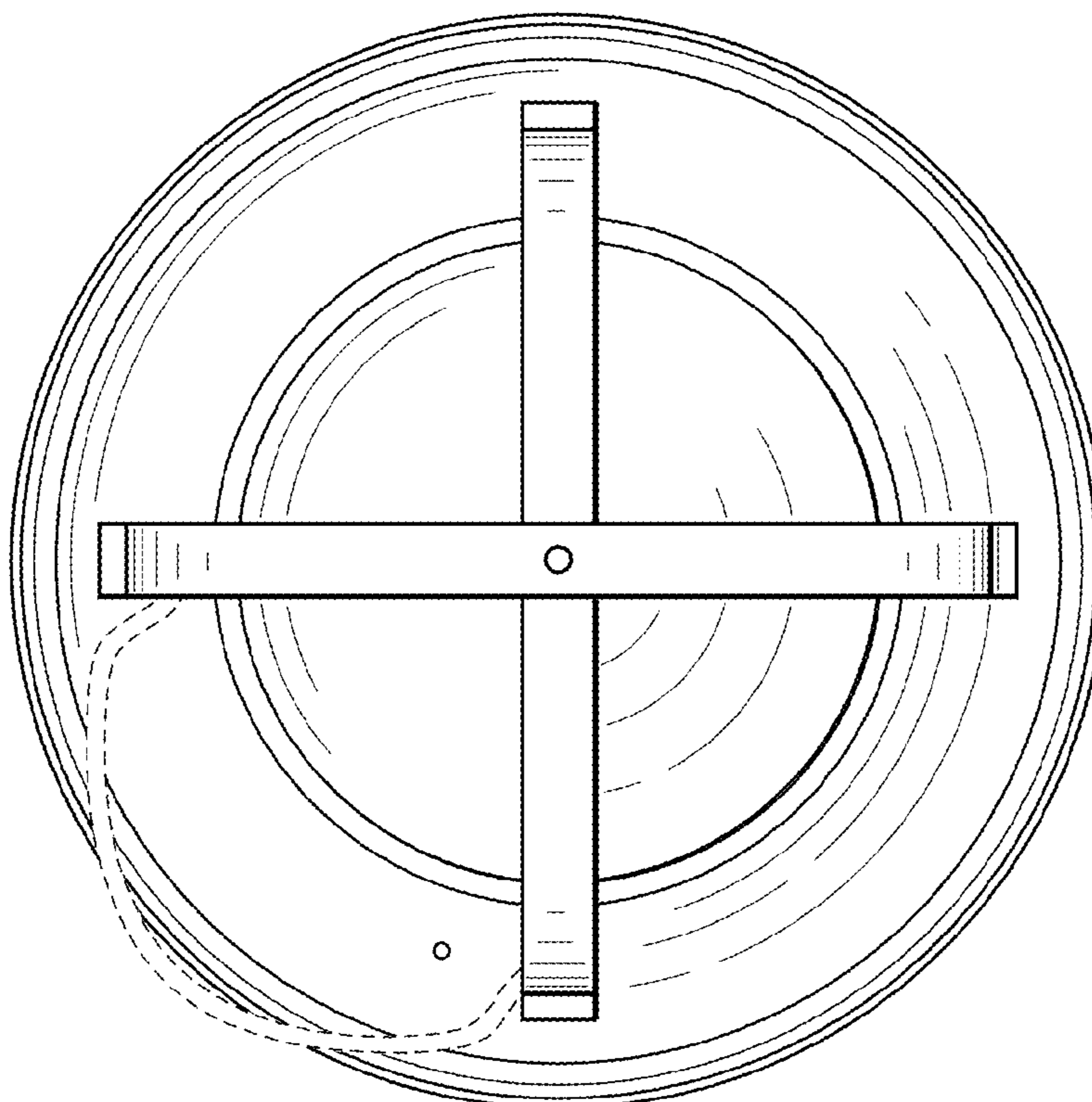


Fig. 7

