



US00D714430S

(12) **United States Design Patent**
Brickner

(10) **Patent No.:** **US D714,430 S**

(45) **Date of Patent:** **** Sep. 30, 2014**

(54) **HUMIDIFIER**

(71) Applicant: **David M. Brickner**, Concord, OH (US)

(72) Inventor: **David M. Brickner**, Concord, OH (US)

(73) Assignee: **Guardian Technologies LLC**, Mentor, OH (US)

(**) Term: **14 Years**

(21) Appl. No.: **29/446,804**

(22) Filed: **Feb. 27, 2013**

(51) **LOC (10) Cl.** **23-04**

(52) **U.S. Cl.**
USPC **D23/356**

(58) **Field of Classification Search**
USPC D23/355-366, 352, 369, 332, 333, 335,
D23/336, 342, 351; 422/120, 122; 55/356,
55/473, 504; 96/97; D14/188, 170, 172;
261/DIG. 17, DIG. 65, DIG. 88, DIG. 31;
D18/34.6

See application file for complete search history.

(56) **References Cited**

U.S. PATENT DOCUMENTS

D425,975 S *	5/2000	Wolfe	D23/356
7,025,798 B2 *	4/2006	Endo	55/385.1
D538,416 S *	3/2007	Ediger et al.	D23/335
D545,952 S *	7/2007	Ching et al.	D23/342
D555,776 S *	11/2007	Chiu	D23/364

D559,372 S *	1/2008	Lam	D23/364
D561,881 S *	2/2008	Huang	D23/356
D577,799 S *	9/2008	Blateri	D23/335
D603,497 S *	11/2009	Choi	D23/364
D625,398 S *	10/2010	Choi	D23/364
D645,129 S *	9/2011	Lin	D23/342
D664,246 S *	7/2012	Irvin et al.	D23/356
D685,896 S *	7/2013	Niedermann et al.	D23/356

* cited by examiner

Primary Examiner — David Muller

(74) *Attorney, Agent, or Firm* — Calfee Halter and Griswold LLP

(57) **CLAIM**

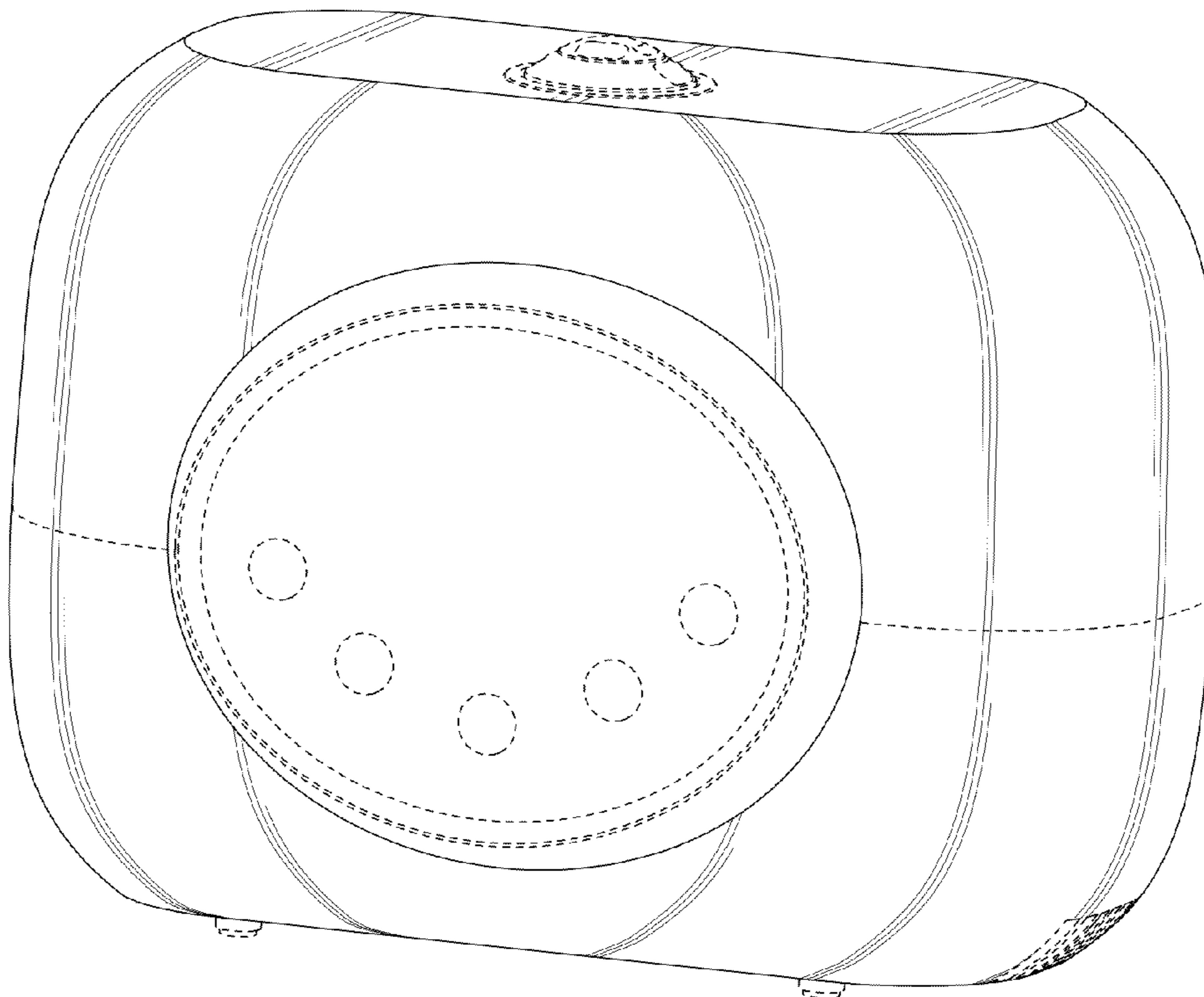
The ornamental design for a humidifier, as shown and described.

DESCRIPTION

FIG. 1 is a perspective view of a humidifier of the new design; FIG. 2 is a top plan view of the humidifier of FIG. 1; FIG. 3 is a bottom plan view of the humidifier of FIG. 1; FIG. 4 is a front elevational view of the humidifier of FIG. 1; FIG. 5 is a left side elevational view of the humidifier of FIG. 1; FIG. 6 is back elevational view of the humidifier of FIG. 1; and, FIG. 7 is right side elevational view of the humidifier of FIG. 1.

The portions of the Figures shown in broken lines are not part of the claimed design and are for illustration only.

1 Claim, 4 Drawing Sheets



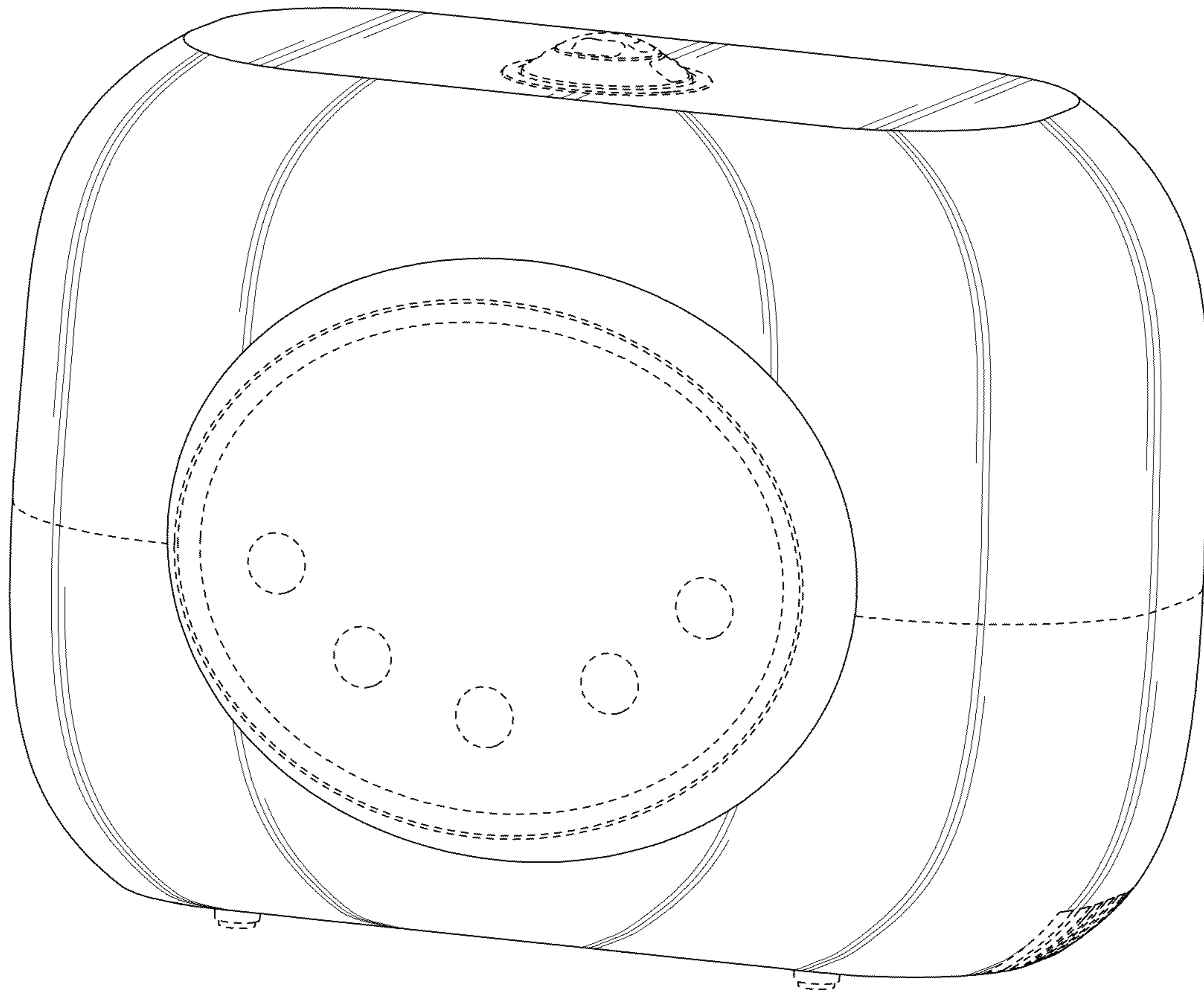


FIG. 1

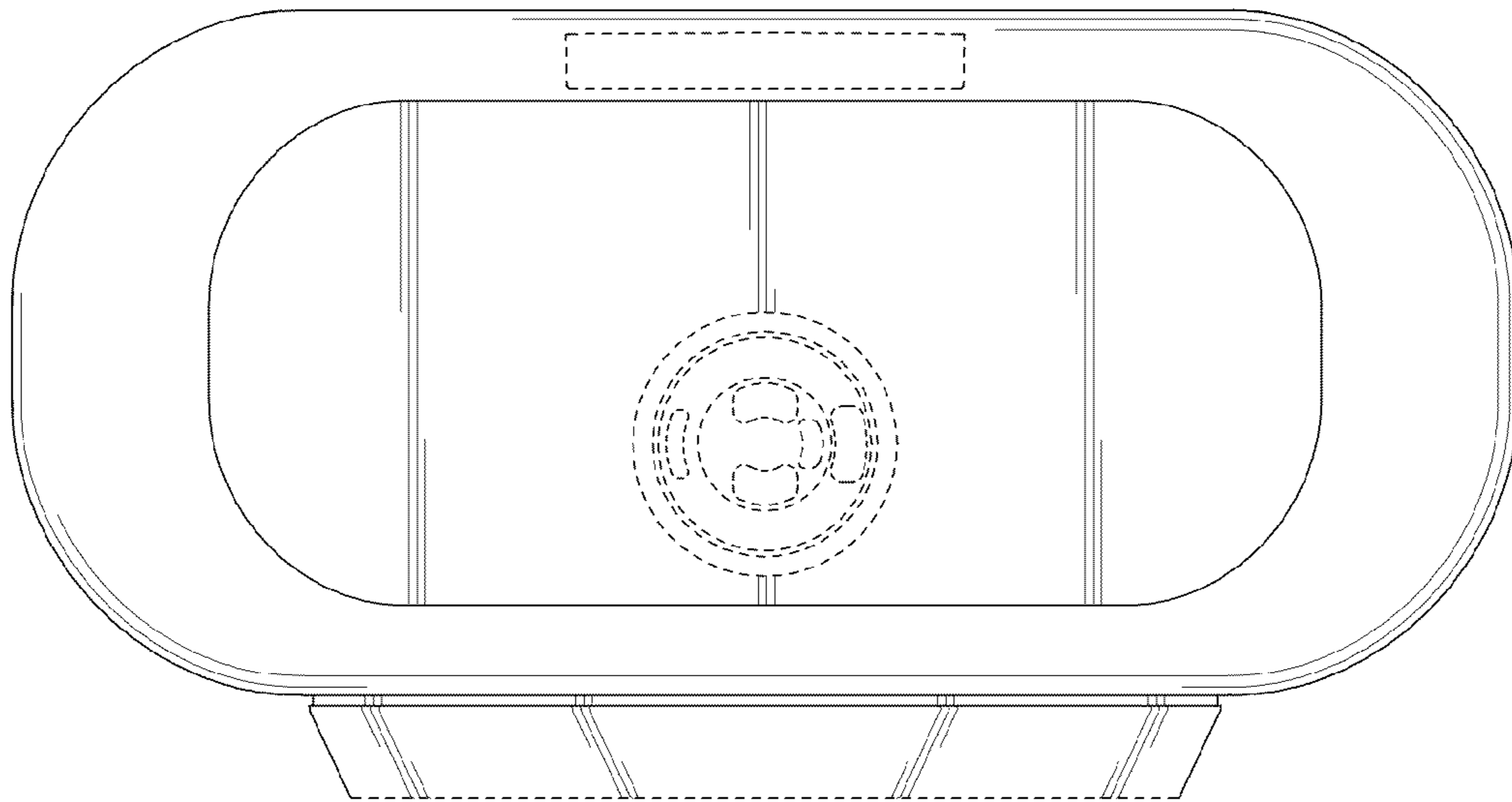


FIG. 2

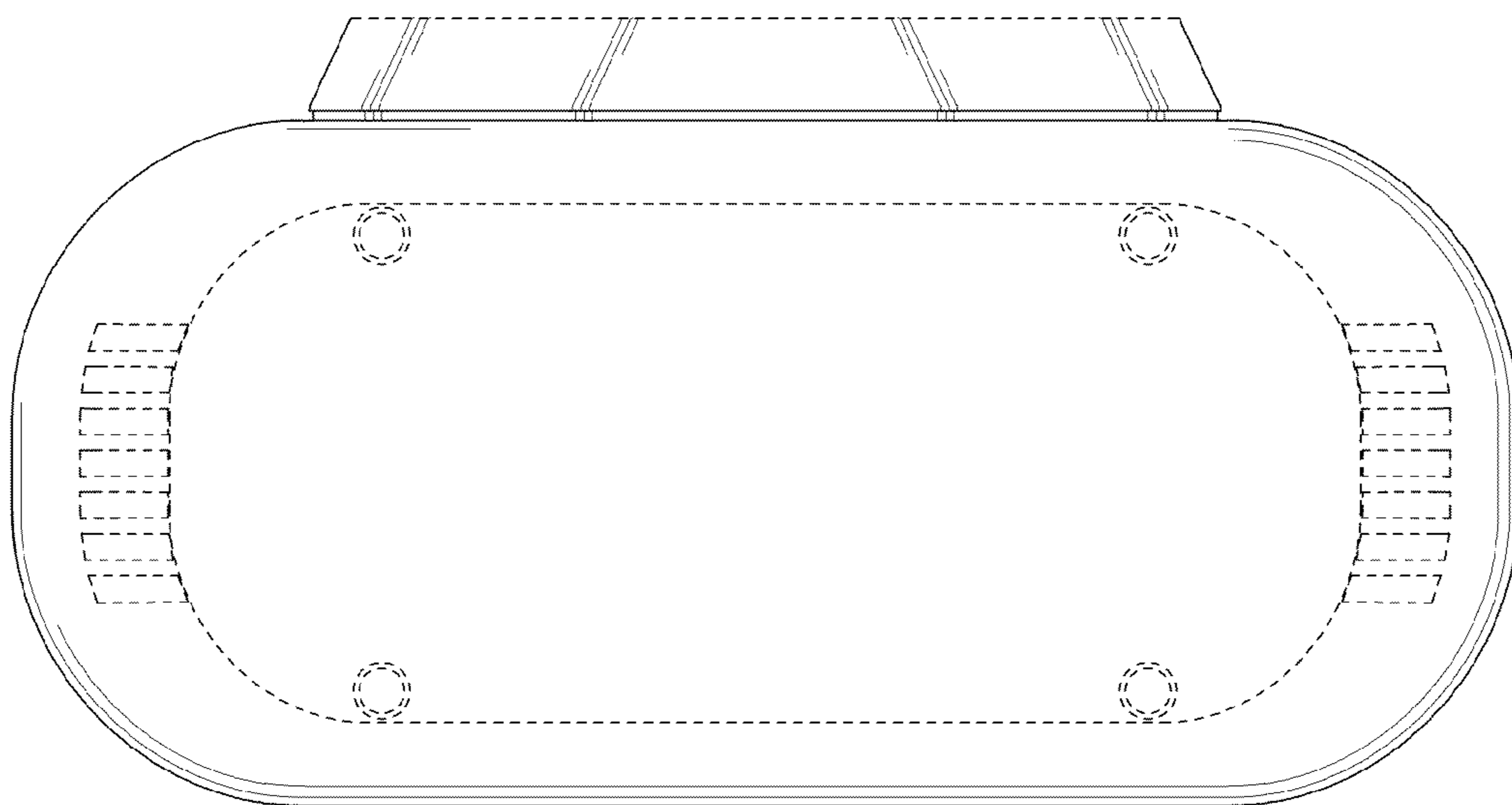


FIG. 3

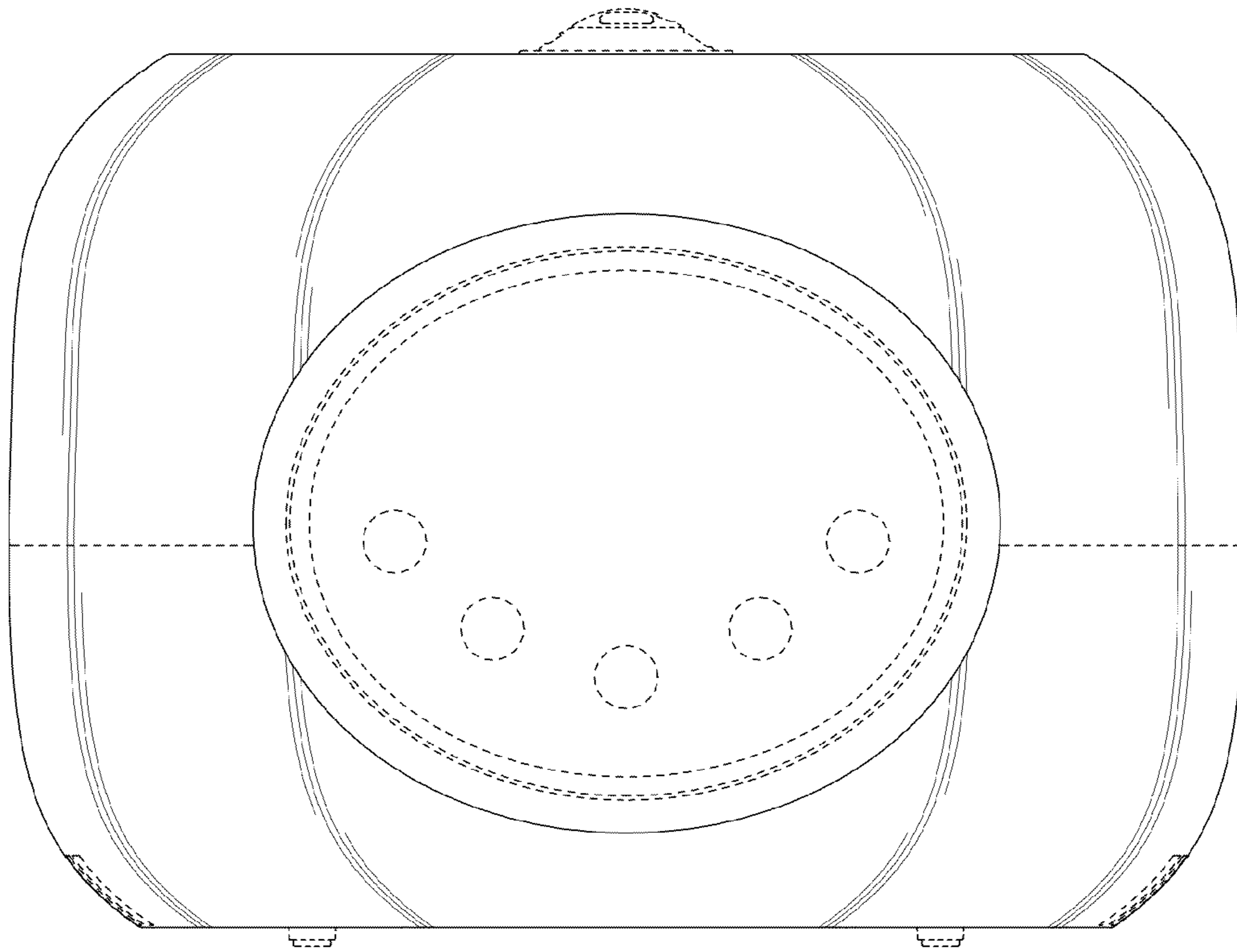


FIG. 4

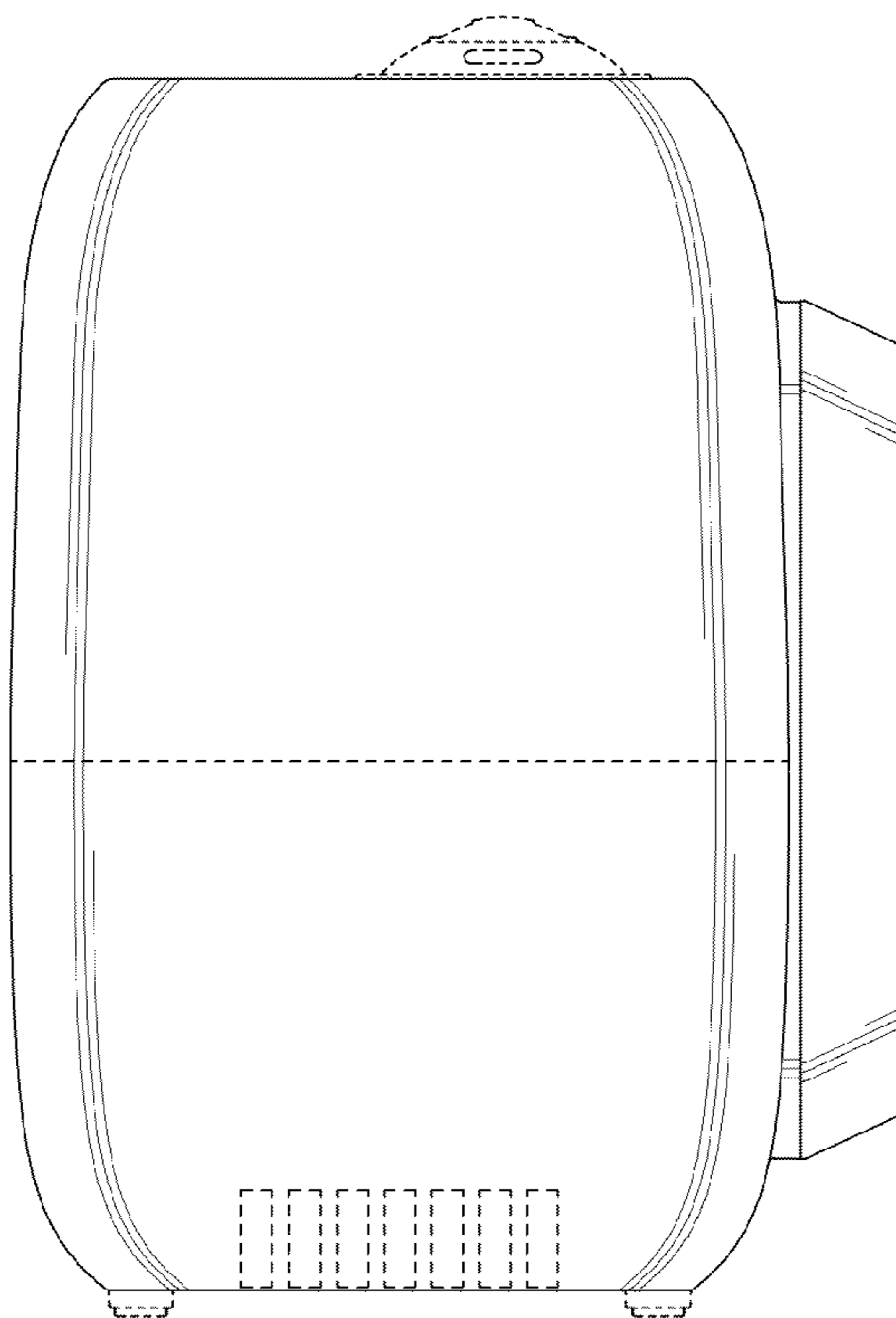


FIG. 5

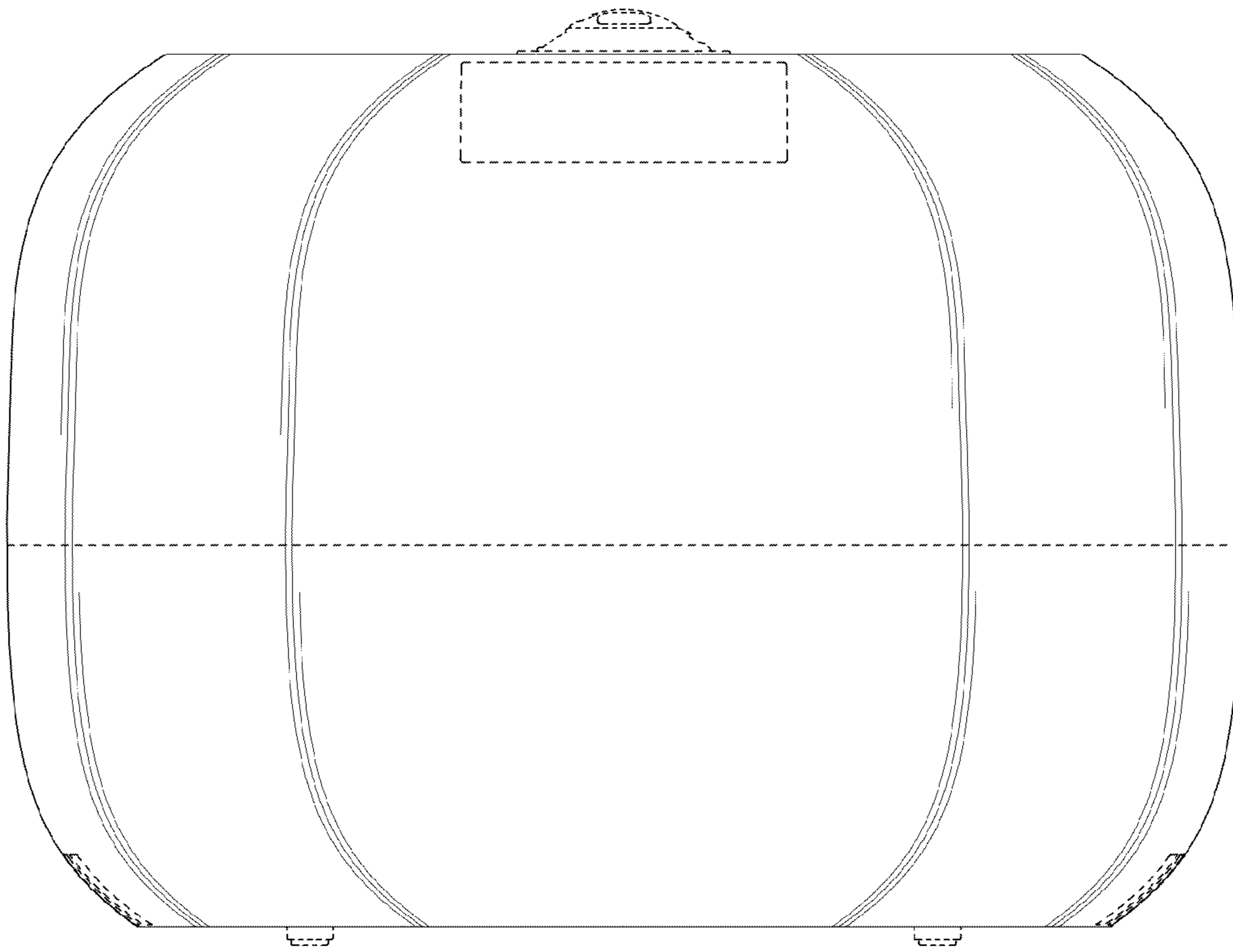


FIG. 6

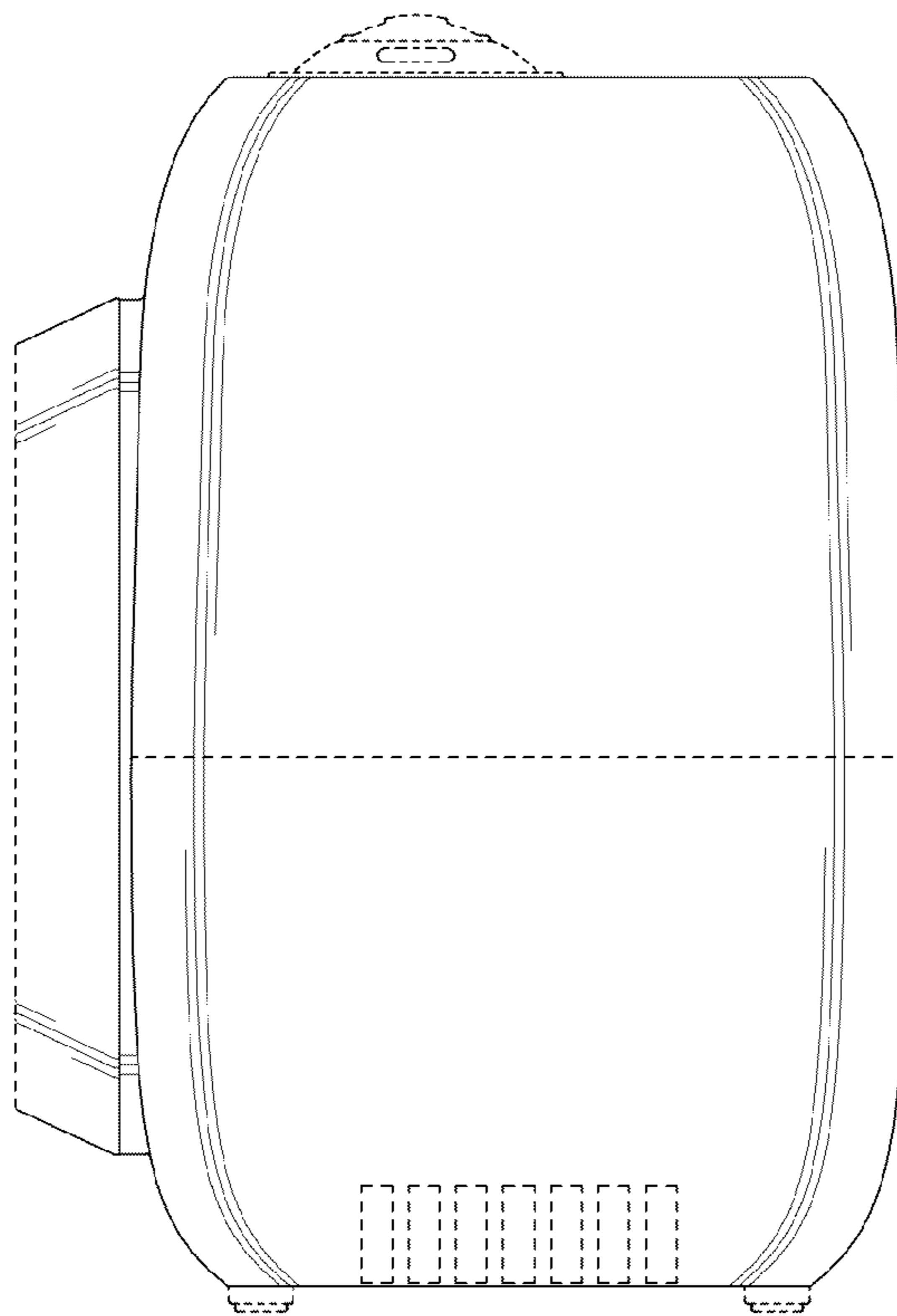


FIG. 7