



US00D714429S

(12) **United States Design Patent**
Bursztein

(10) **Patent No.:** **US D714,429 S**

(45) **Date of Patent:** **** Sep. 30, 2014**

(54) **HEATER**

(71) Applicant: **Formaster S.A.**, Kielce (PL)

(72) Inventor: **Maciej Bursztein**, Kielce (PL)

(73) Assignee: **Formaster S.A.**, Kielce (PL)

(**) Term: **14 Years**

(21) Appl. No.: **29/490,933**

(22) Filed: **May 15, 2014**

(30) **Foreign Application Priority Data**

Nov. 20, 2013 (EM) 002348896-0001

(51) **LOC (10) Cl.** **23-03**

(52) **U.S. Cl.**
USPC **D23/332**

(58) **Field of Classification Search**
USPC D23/314, 332, 335-350, 378, 370, 381,
D23/354, 351, 386, 333, 328, 353, 361, 385,
D23/417, 357; 392/365, 367, 424, 383, 411,
392/360, 369, 373-376; 126/183, 110 B,
126/91 A, 92 A, 500, 544, 547; 431/125

See application file for complete search history.

(56) **References Cited**

U.S. PATENT DOCUMENTS

5,838,878 A * 11/1998 Jane et al. 392/376
D557,780 S * 12/2007 Koenitzer et al. D23/342
D595,396 S * 6/2009 Lewis D23/314

* cited by examiner

Primary Examiner — T. Chase Nelson

Assistant Examiner — Ania Aman

(74) *Attorney, Agent, or Firm* — Oppedahl Patent Law Firm LLC

(57) **CLAIM**

The ornamental design for a heater, as shown and described.

DESCRIPTION

FIG. 1 is a front side perspective view of my new design for a heater.

FIG. 2 is a back side perspective view of FIG. 1.

FIG. 3 is a front side elevation view of FIG. 1.

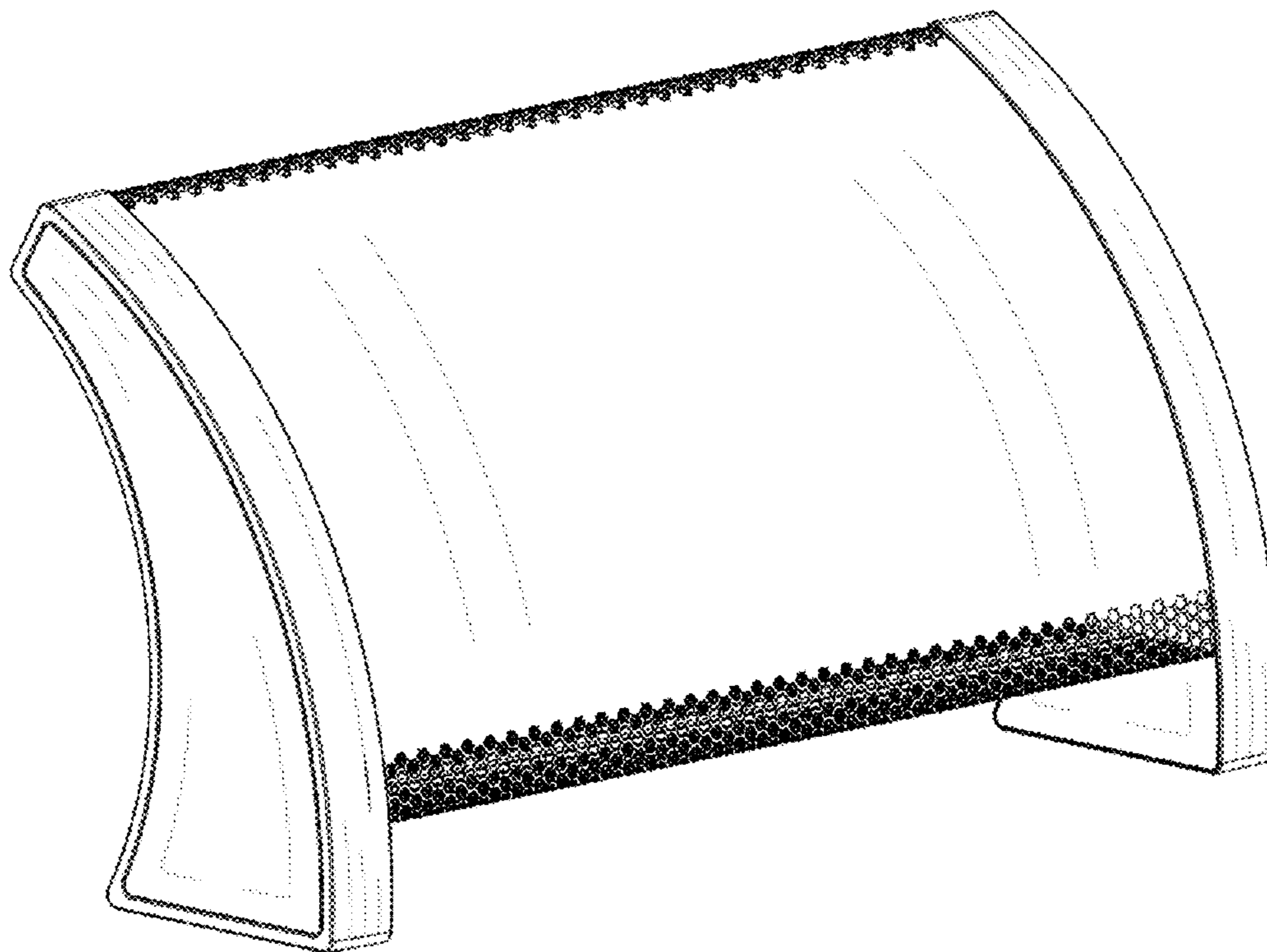
FIG. 4 is a back side elevation view of FIG. 1.

FIG. 5 is a bottom side plan view of FIG. 1.

FIG. 6 is a top side plan view of FIG. 1; and,

FIG. 7 is a right side elevation view of FIG. 1, the left elevation view being a mirror image thereof.

1 Claim, 5 Drawing Sheets



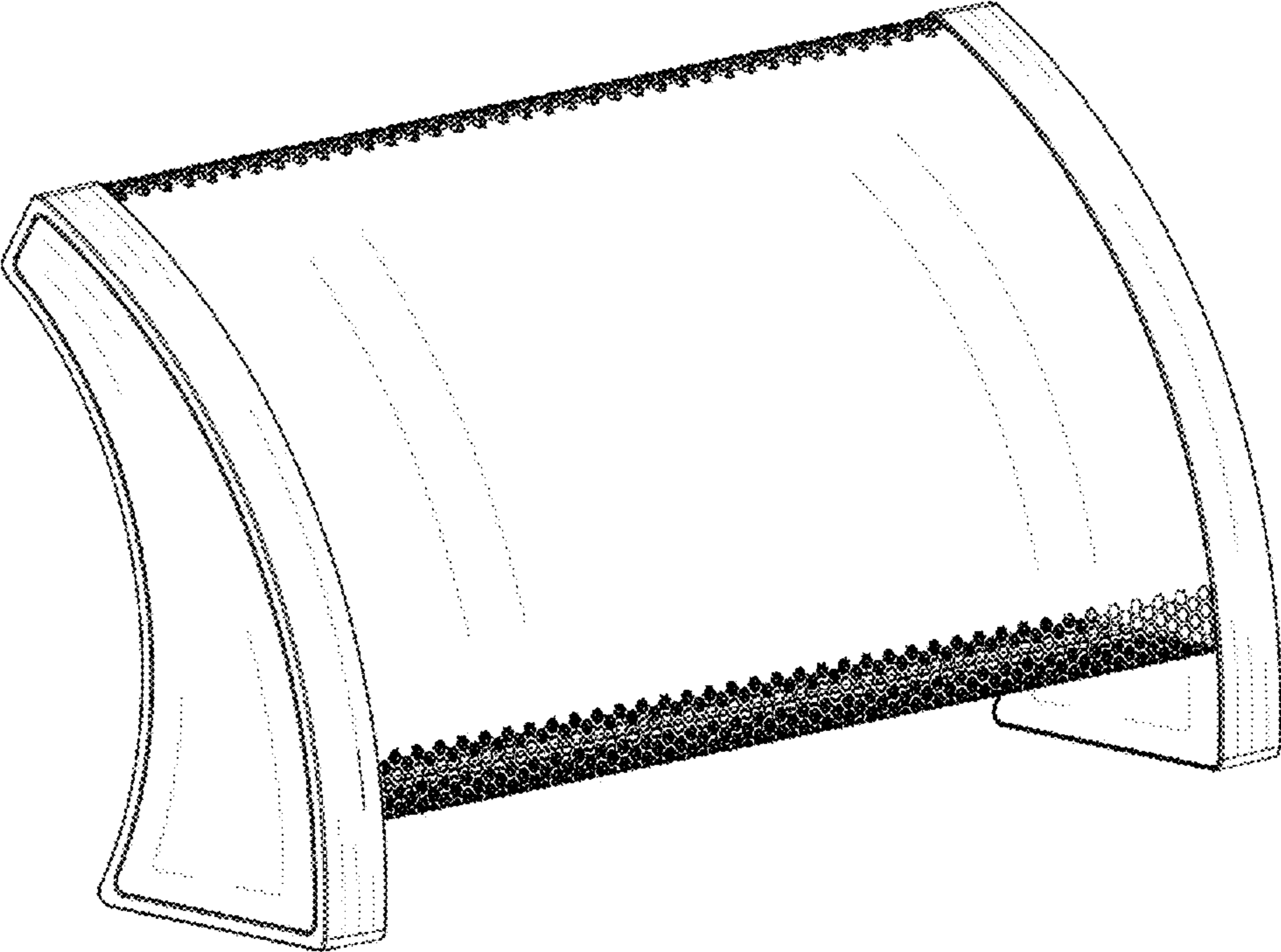


FIG. 1

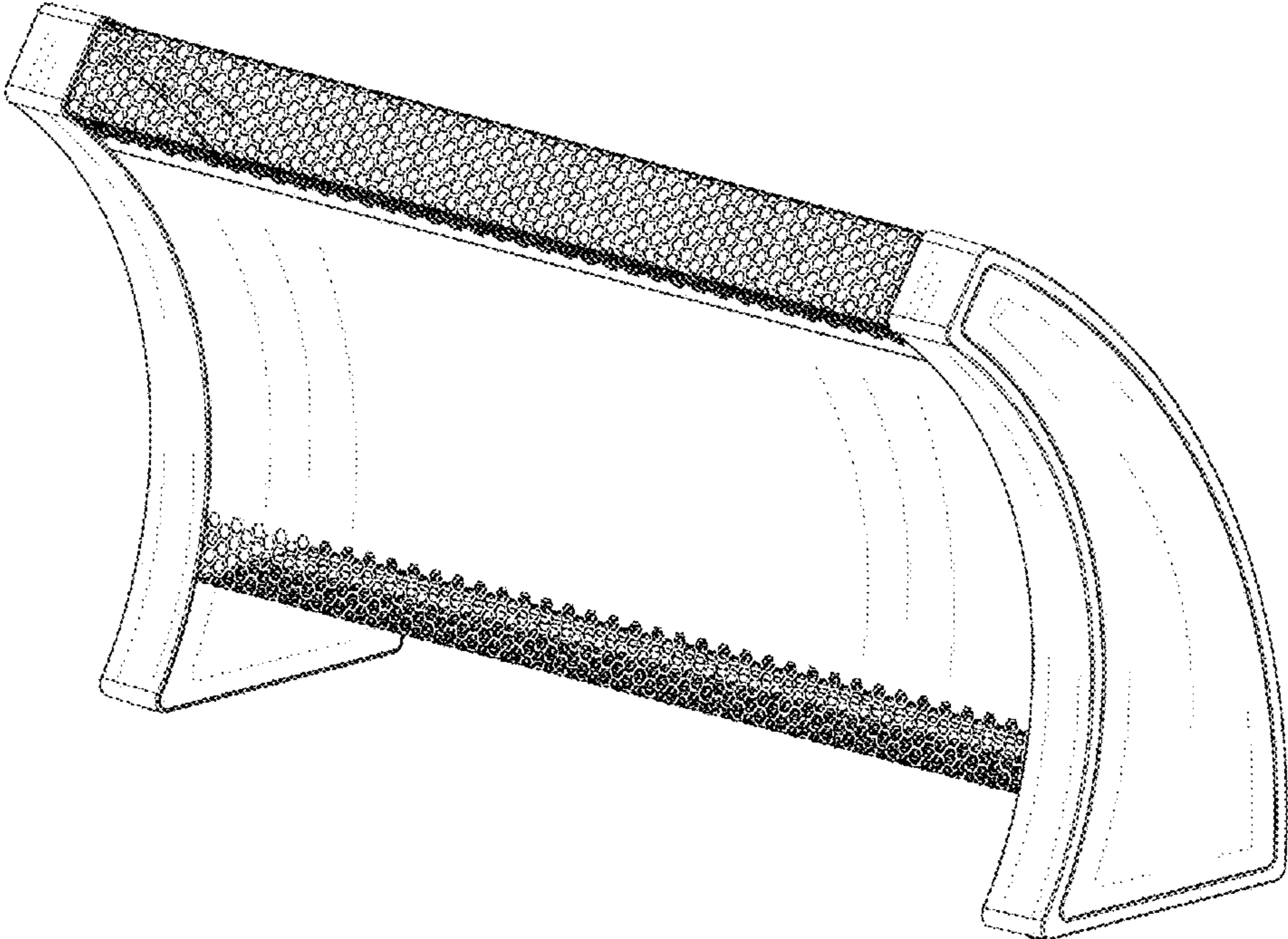


FIG. 2

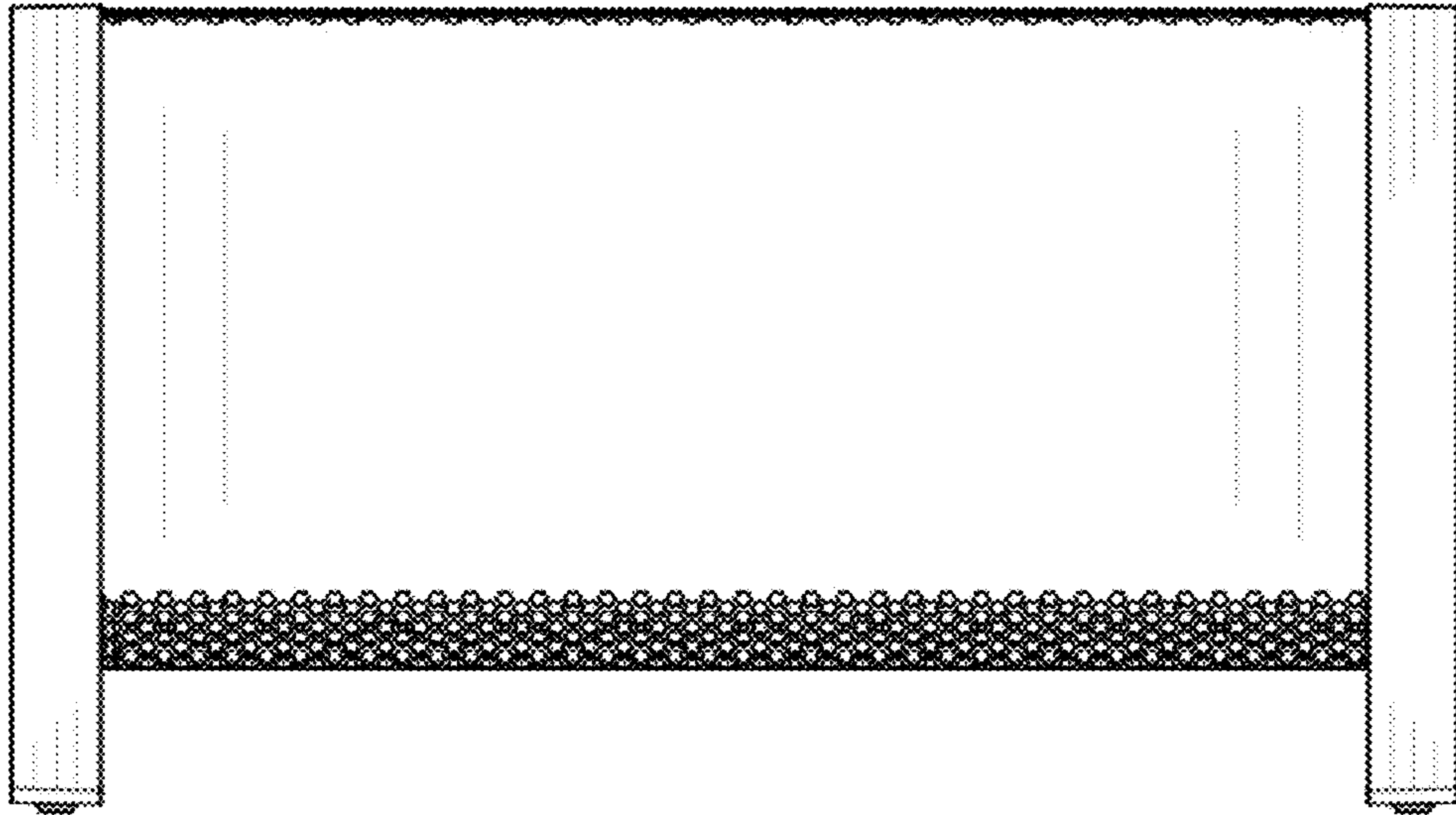


FIG. 3

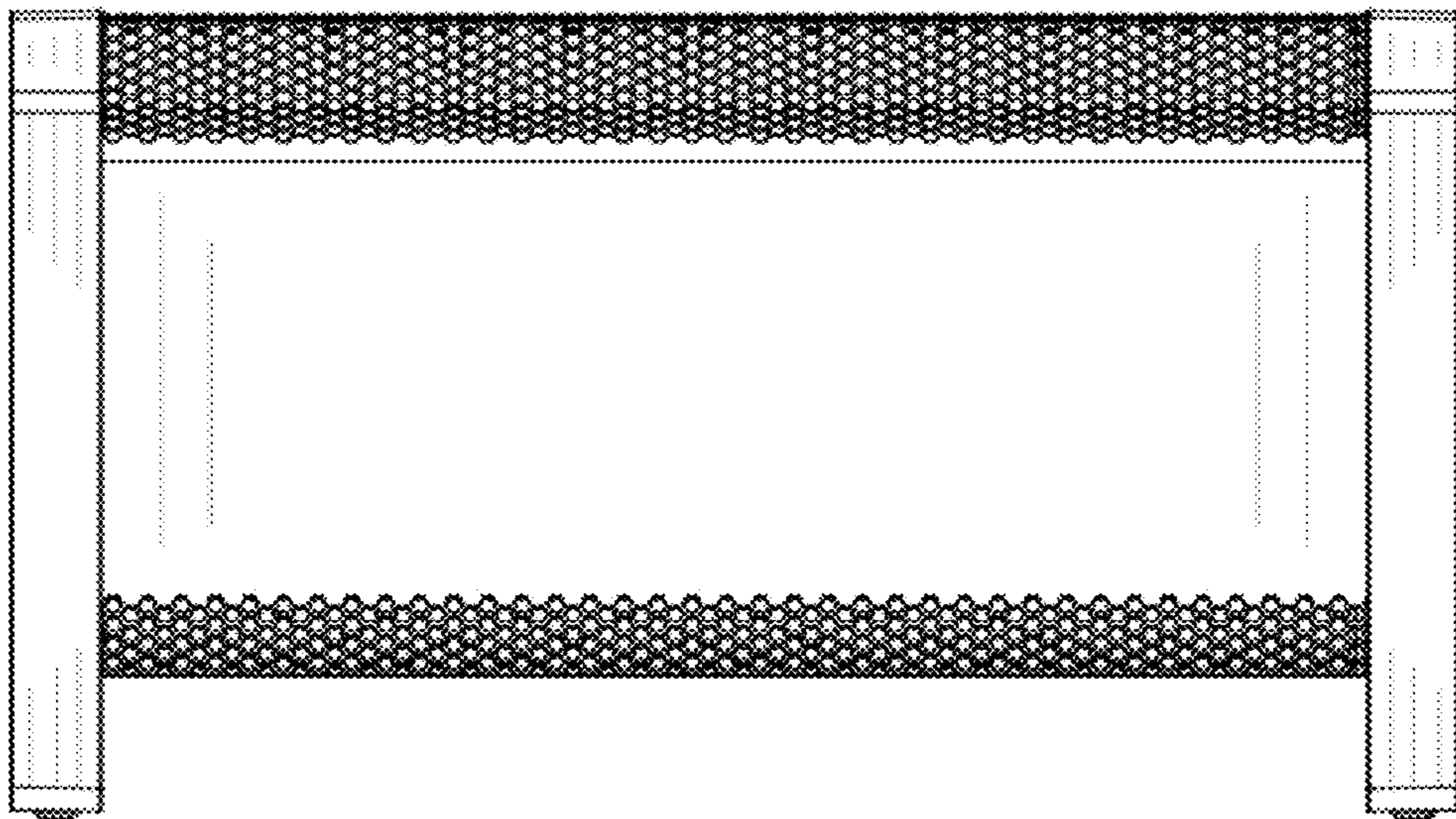


FIG. 4

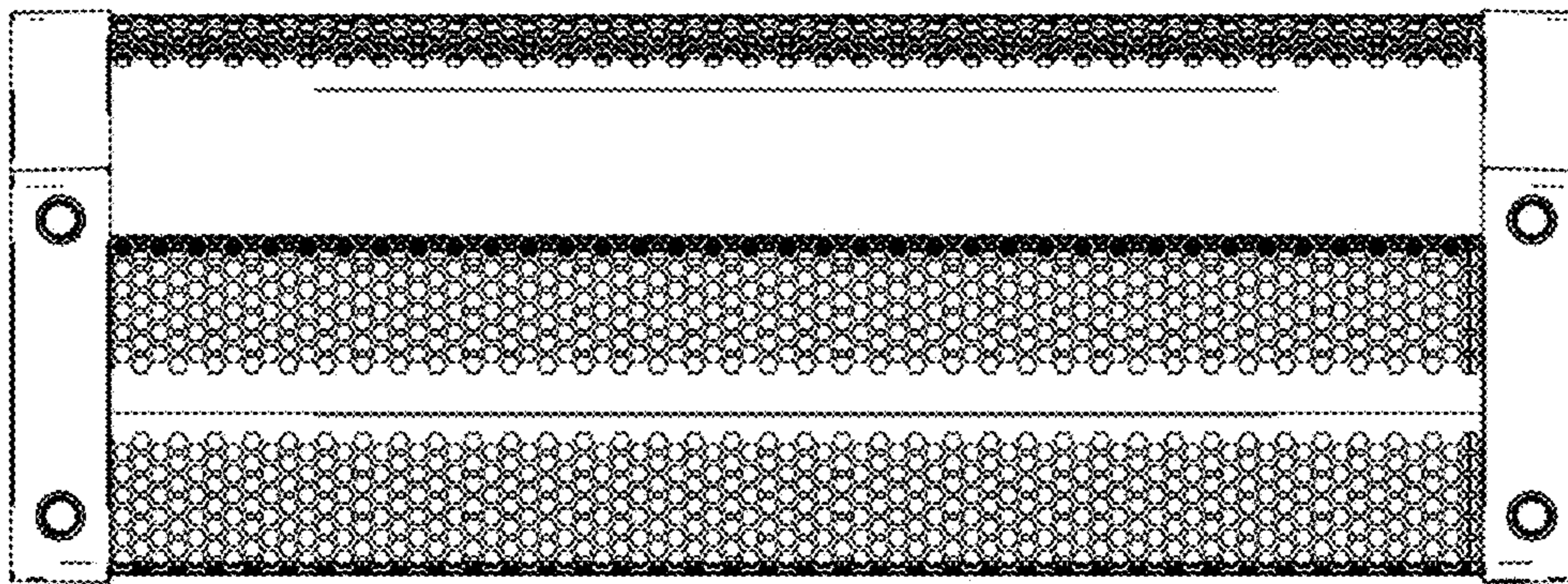


FIG. 5

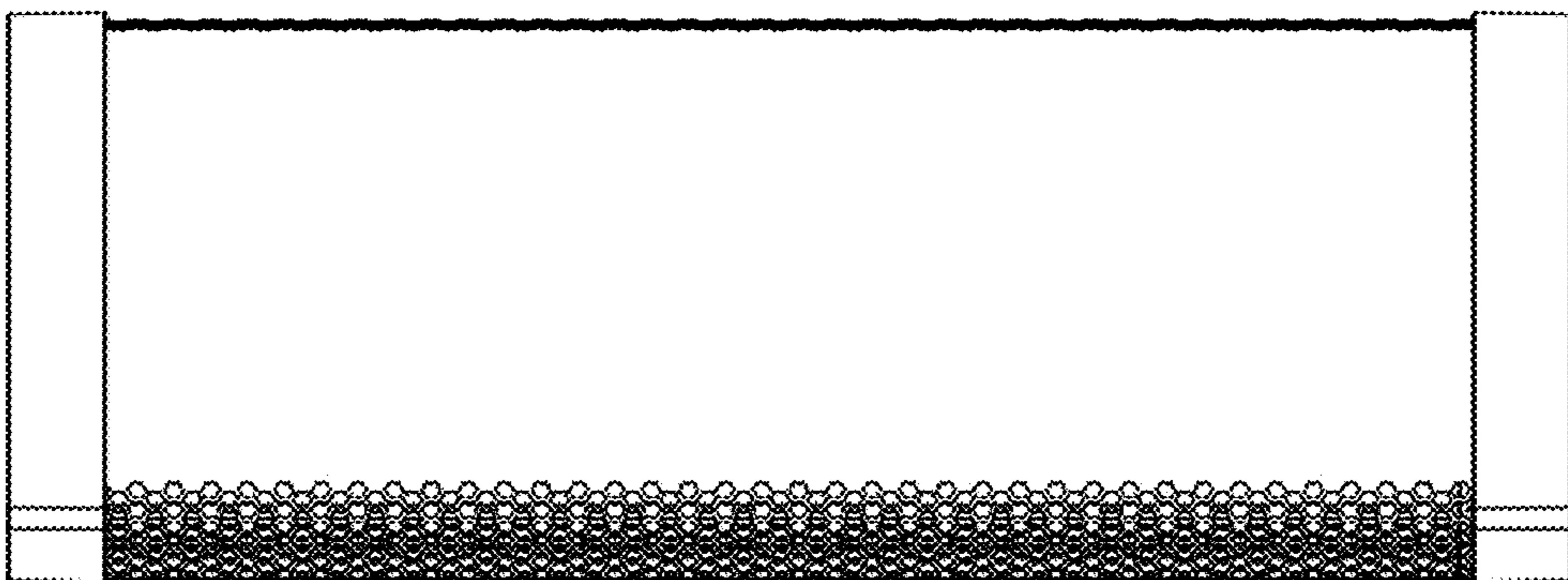


FIG. 6

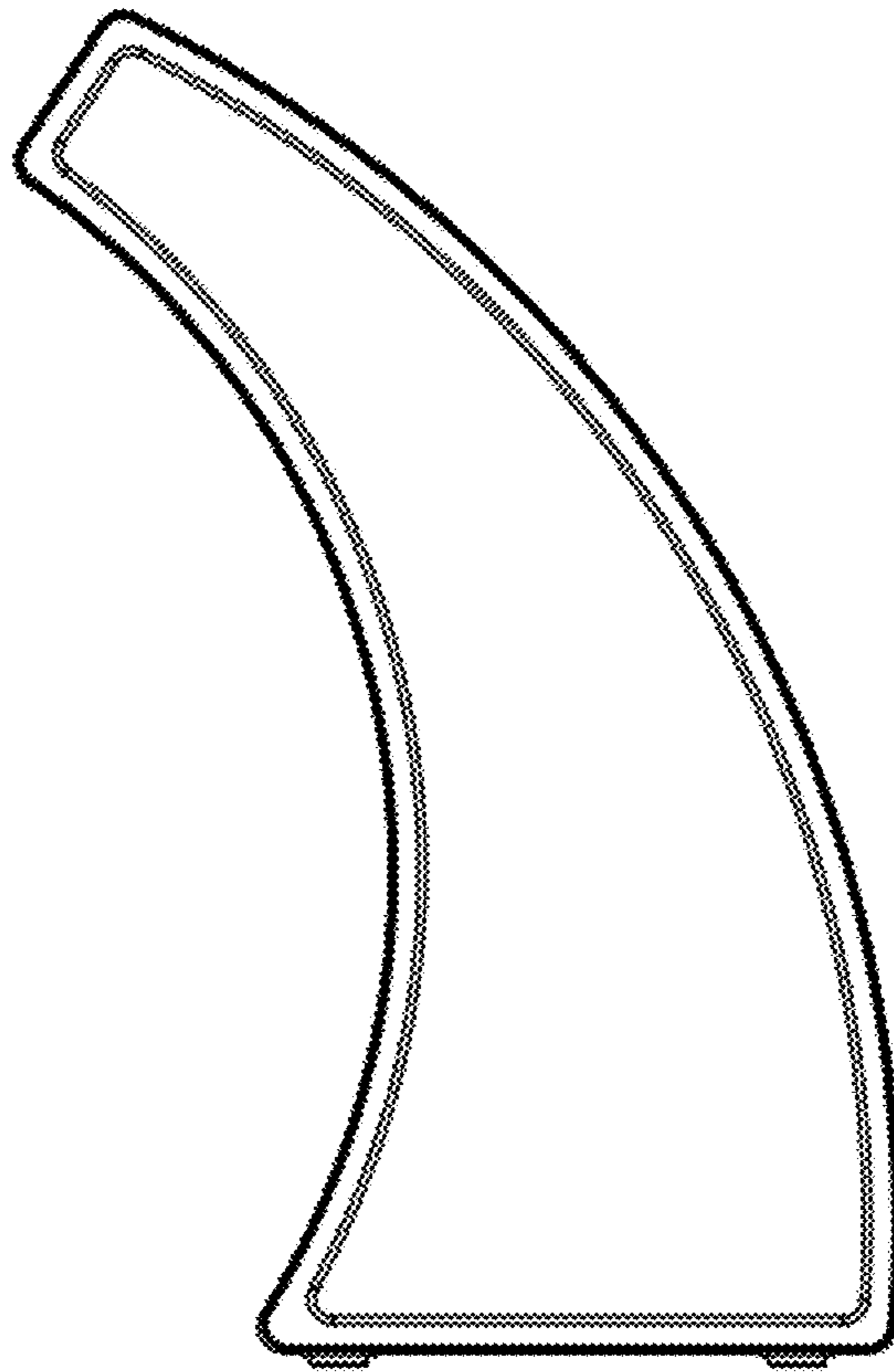


FIG. 7