



US00D714428S

(12) **United States Design Patent**
Gupta et al.

(10) **Patent No.:** **US D714,428 S**

(45) **Date of Patent:** **** Sep. 30, 2014**

(54) **CONTROL PANEL AND THE NOZZLE GATE FOR USE WITH A TOILET BIDET WASHING APPARATUS**

(71) Applicants: **Anjum Gupta**, San Diego, CA (US);
Shao Gang Cheng, Xiamen (CN)

(72) Inventors: **Anjum Gupta**, San Diego, CA (US);
Shao Gang Cheng, Xiamen (CN)

(73) Assignees: **2Go Products, LLC**, San Diego, CA (US); **Arun (Xiamen) Custom Moulding Co. Ltd**, Xiamen (CN)

(**) Term: **14 Years**

(21) Appl. No.: **29/434,247**

(22) Filed: **Oct. 11, 2012**

(51) **LOC (10) Cl.** **23-02**

(52) **U.S. Cl.**
USPC **D23/309**

(58) **Field of Classification Search**
USPC D23/295-301, 309, 311-312; 4/420.1, 4/420.4, 448, 443-444, 447
See application file for complete search history.

(56) **References Cited**

U.S. PATENT DOCUMENTS

4,550,454 A * 11/1985 Yui 4/420.4
5,003,645 A * 4/1991 Alonso 4/448

5,023,961 A * 6/1991 Alonso 4/448
D377,680 S * 1/1997 Kimber et al. D23/309
5,647,070 A * 7/1997 Yu 4/420.4
6,671,892 B1 * 1/2004 Plyant 4/420.4
7,065,802 B2 * 6/2006 Jung 4/420.4
D540,927 S * 4/2007 Plifka D23/309
8,261,377 B2 * 9/2012 Oh 4/420.1

* cited by examiner

Primary Examiner — Robert Delehanty

(57) **CLAIM**

The ornamental design for a control panel and the nozzle gate for use with a toilet bidet washing apparatus, as shown and described.

DESCRIPTION

FIG. 1 is a front perspective view of the bidet showing the nozzle gate and the sleek control panel of the invention.

FIG. 2 is a front elevational view thereof.

FIG. 3 is a rear elevational view thereof.

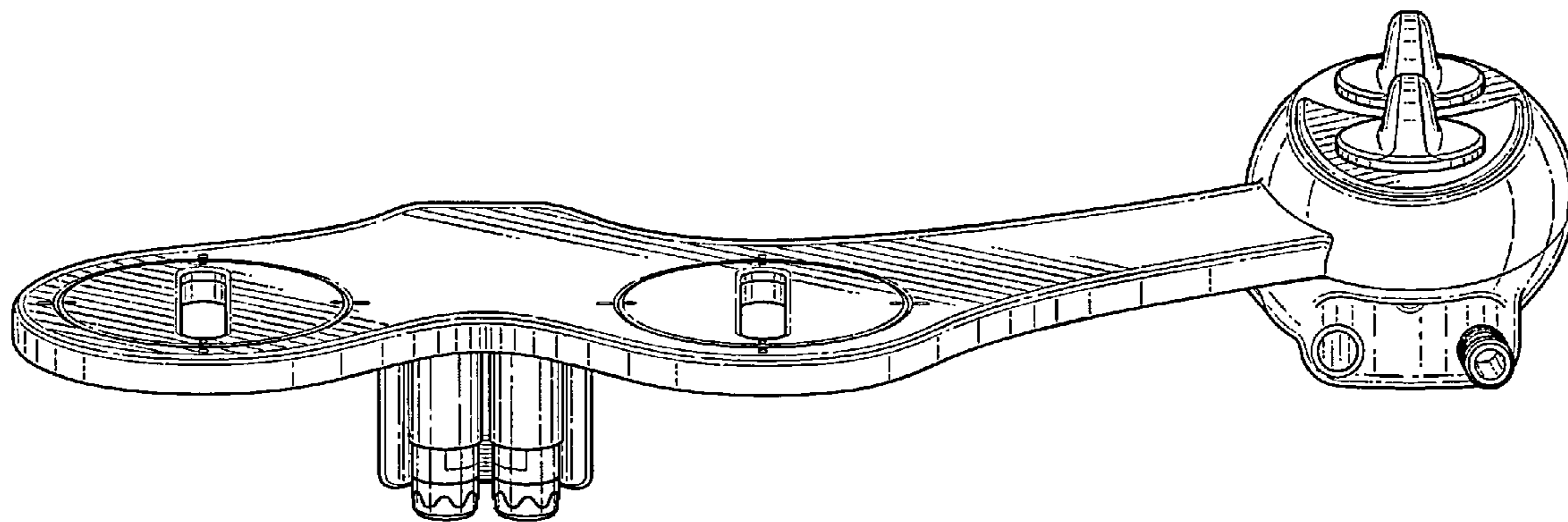
FIG. 4 is a top plan view thereof.

FIG. 5 is a right side elevational view thereof; and,

FIG. 6 is a left side elevational view thereof.

The invention is a bidet washing apparatus design. In a preferred embodiment, the nature of this product is as a plumbing and bidet fixture primarily used for washing the private body parts of humans.

1 Claim, 4 Drawing Sheets



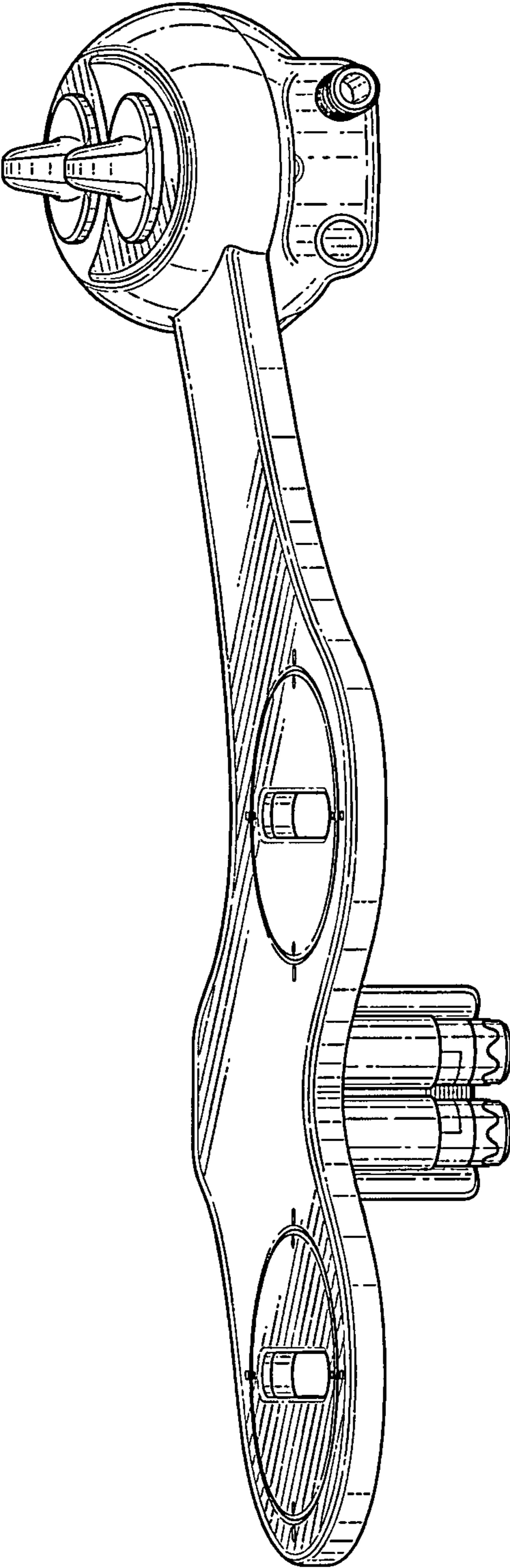


FIG. 1

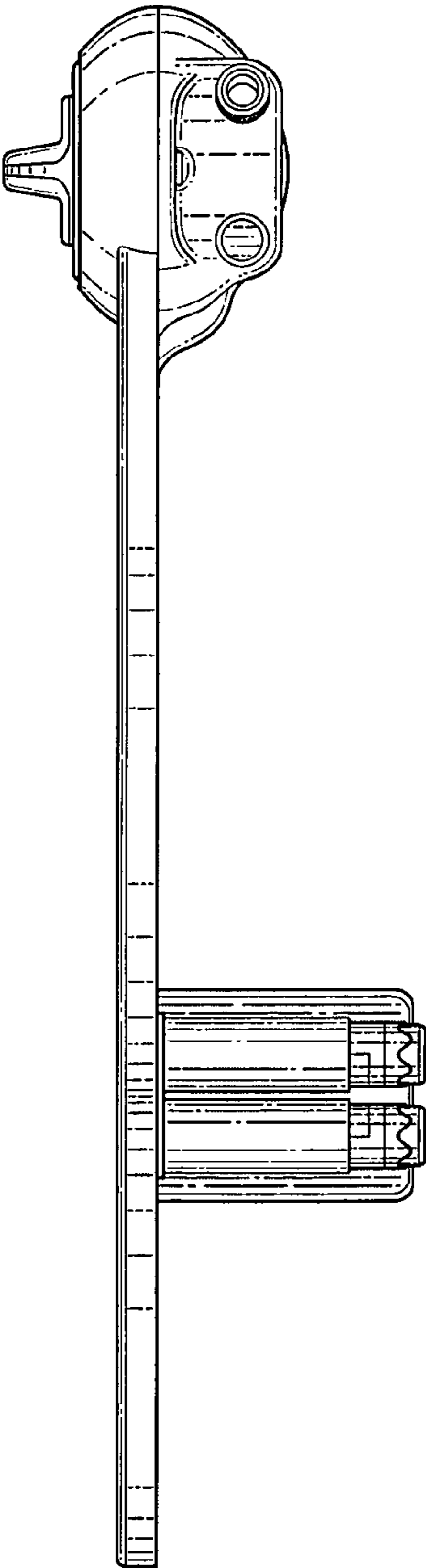


FIG. 2

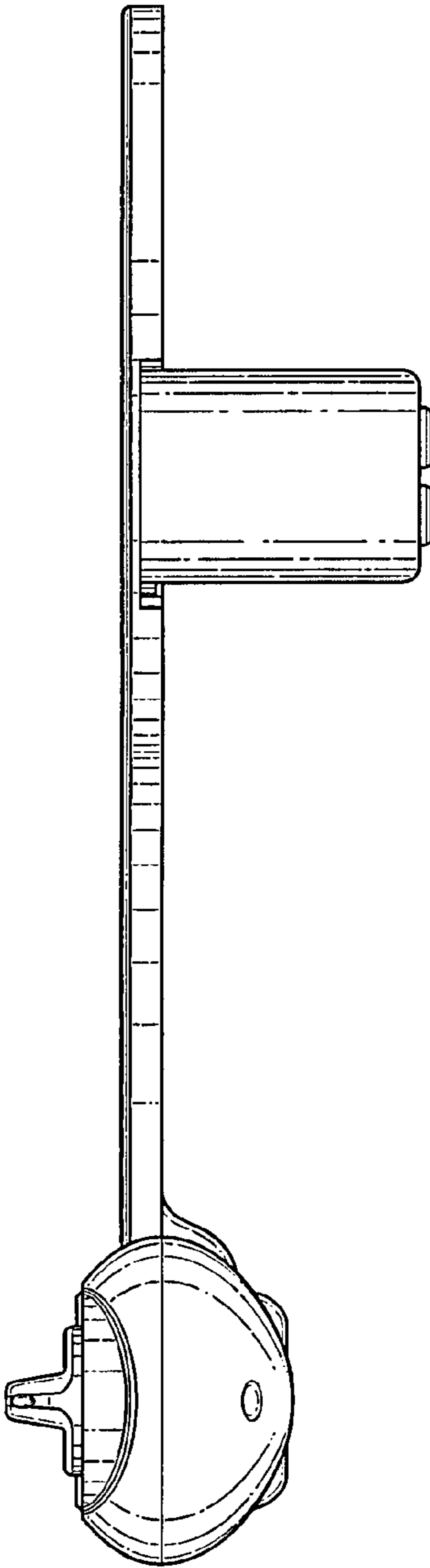


FIG. 3

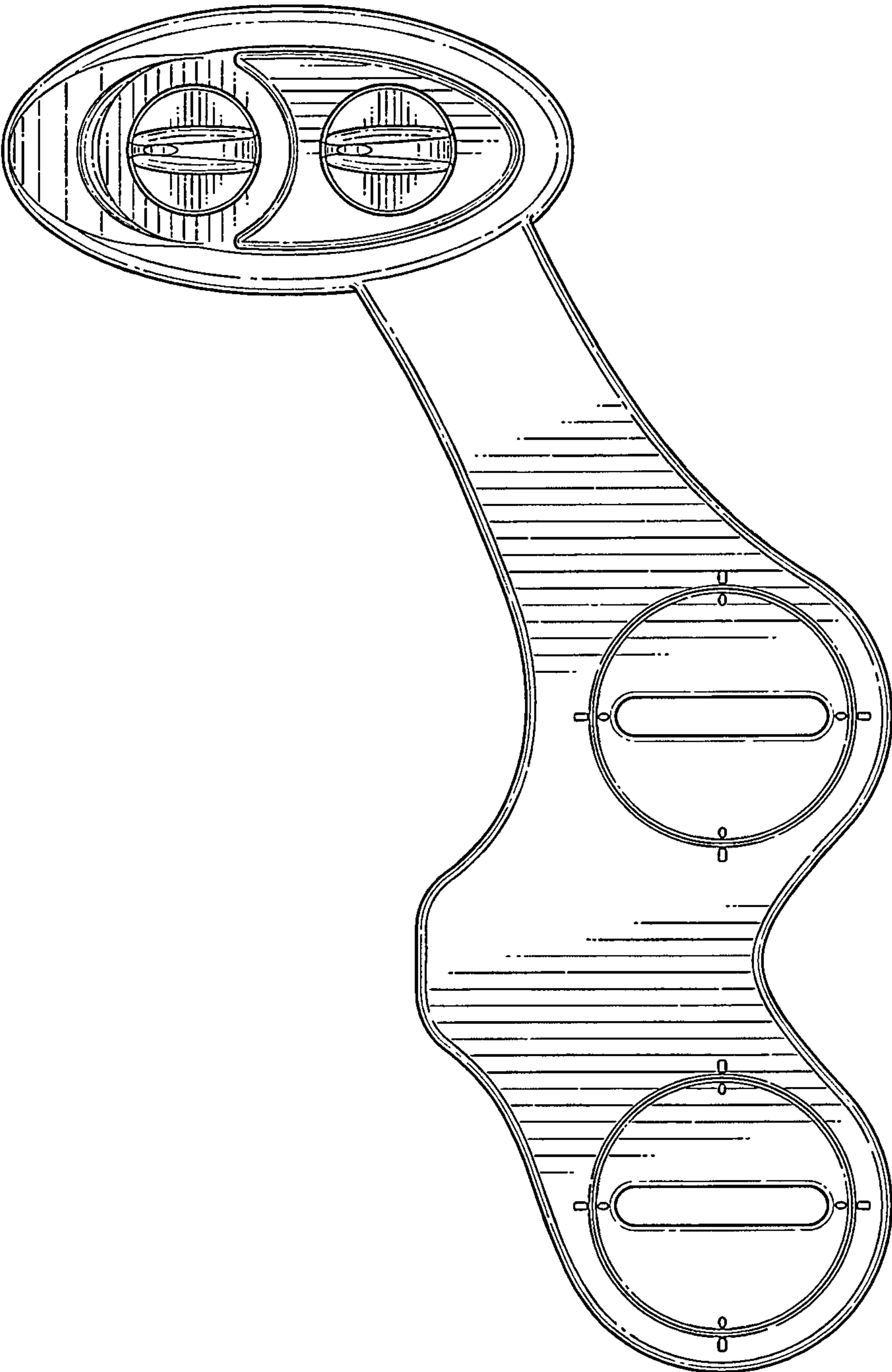


FIG. 4

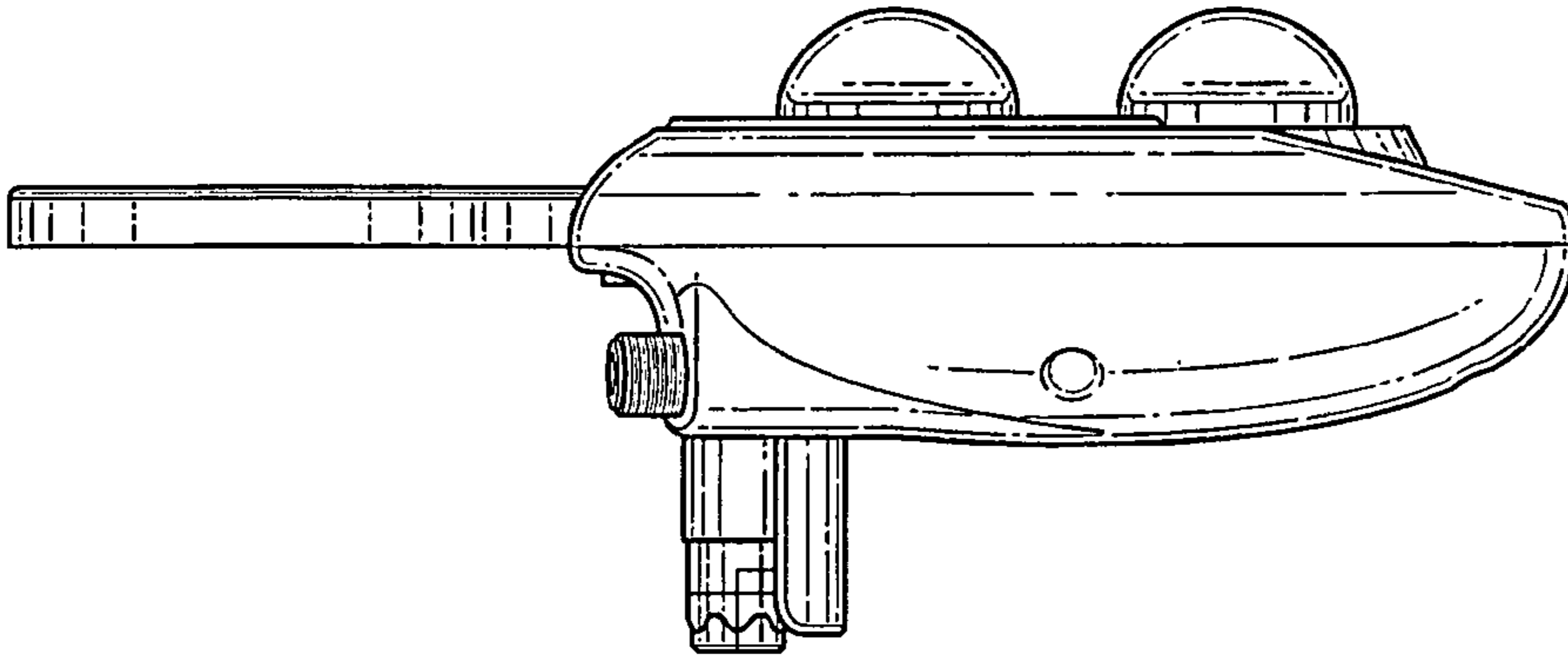


FIG. 6

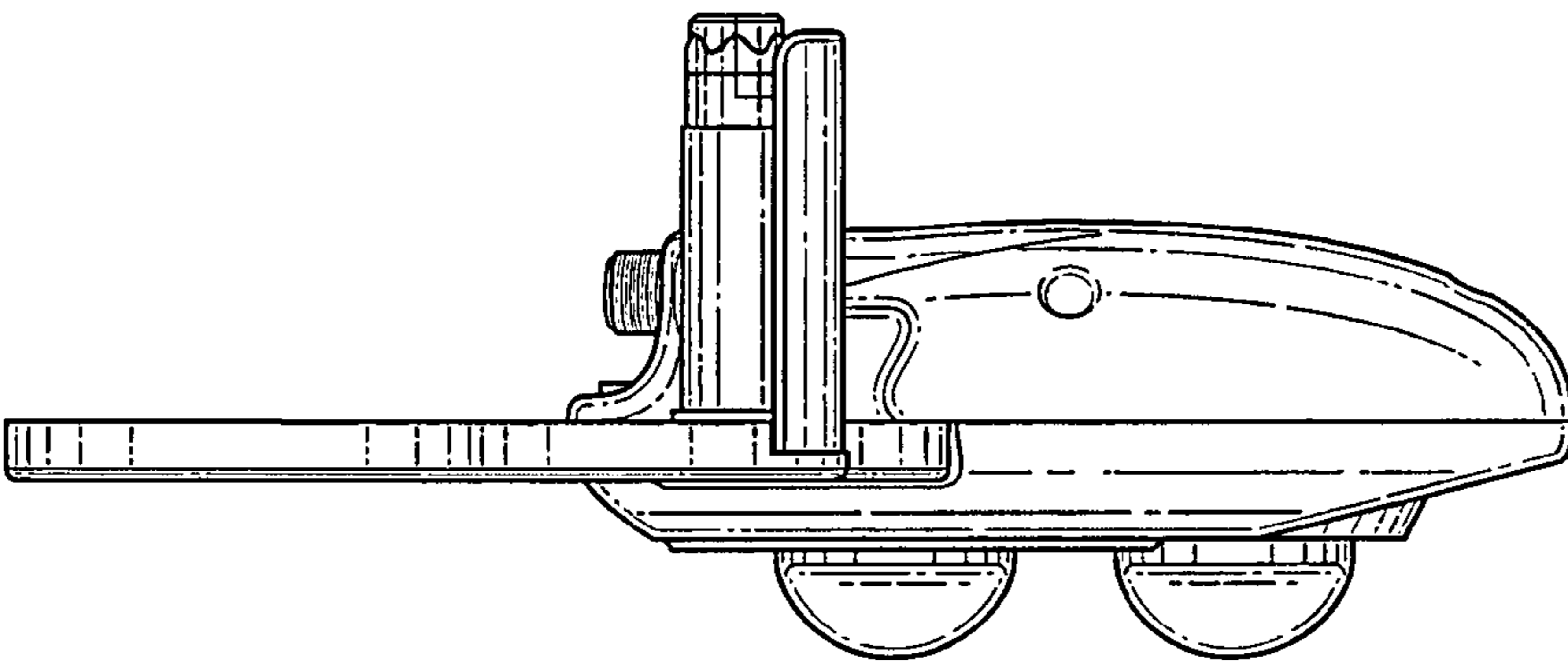


FIG. 5