

US00D714427S

(12) **United States Design Patent**
Oliveira

(10) **Patent No.:** **US D714,427 S**

(45) **Date of Patent:** **** Sep. 30, 2014**

(54) **BATHTUB**

(71) Applicant: **Metalúrgica Recor, S.A.**, Arrifana (PT)

(72) Inventor: **Joaquim Oliveira**, Arrifana (PT)

(73) Assignee: **Metalurgica Recor, S.A.**, Arrifana (PT)

(**) Term: **14 Years**

(21) Appl. No.: **29/470,375**

(22) Filed: **Oct. 21, 2013**

(51) **LOC (10) Cl.** **23-02**

(52) **U.S. Cl.**

USPC **D23/280.1**

(58) **Field of Classification Search**

CPC A47K 3/02; A47K 4/00

USPC D23/277, 280.1-280.4, 303-304;

4/538, 545

See application file for complete search history.

(56) **References Cited**

U.S. PATENT DOCUMENTS

360,173 A * 3/1887 Rice D23/277

D451,986 S * 12/2001 Marshall et al. D23/280.1

D473,634 S * 4/2003 Foster D23/277

7,490,369 B2 * 2/2009 Cunningham 4/545

D640,354 S 6/2011 Goncalves et al.

D654,991 S 2/2012 Oliveira

* cited by examiner

Primary Examiner — Robert Delehanty

(74) *Attorney, Agent, or Firm* — Quinn Law Group, PLLC

(57) **CLAIM**

I claim the ornamental design for a bathtub, as shown.

DESCRIPTION

FIG. 1 is a top perspective view of the bathtub.

FIG. 2 is a top view of the bathtub.

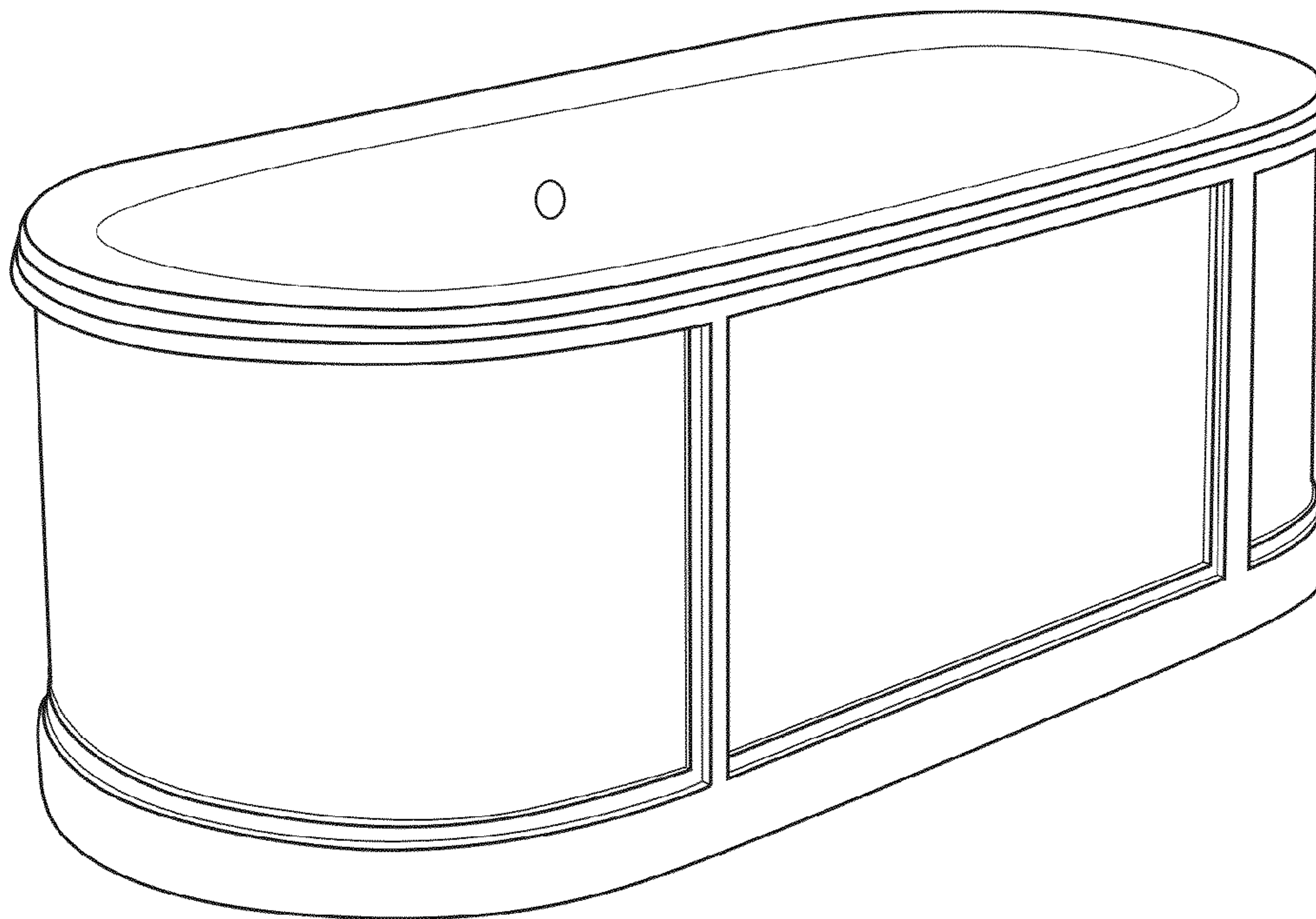
FIG. 3 is a front side view of the bathtub.

FIG. 4 is a rear side view of the bathtub; and,

FIG. 5 is an end view of both the left side and the right side of the bathtub.

All broken lines illustrate portions of the bathtub to which the design is applied that form no part of the claim.

1 Claim, 5 Drawing Sheets



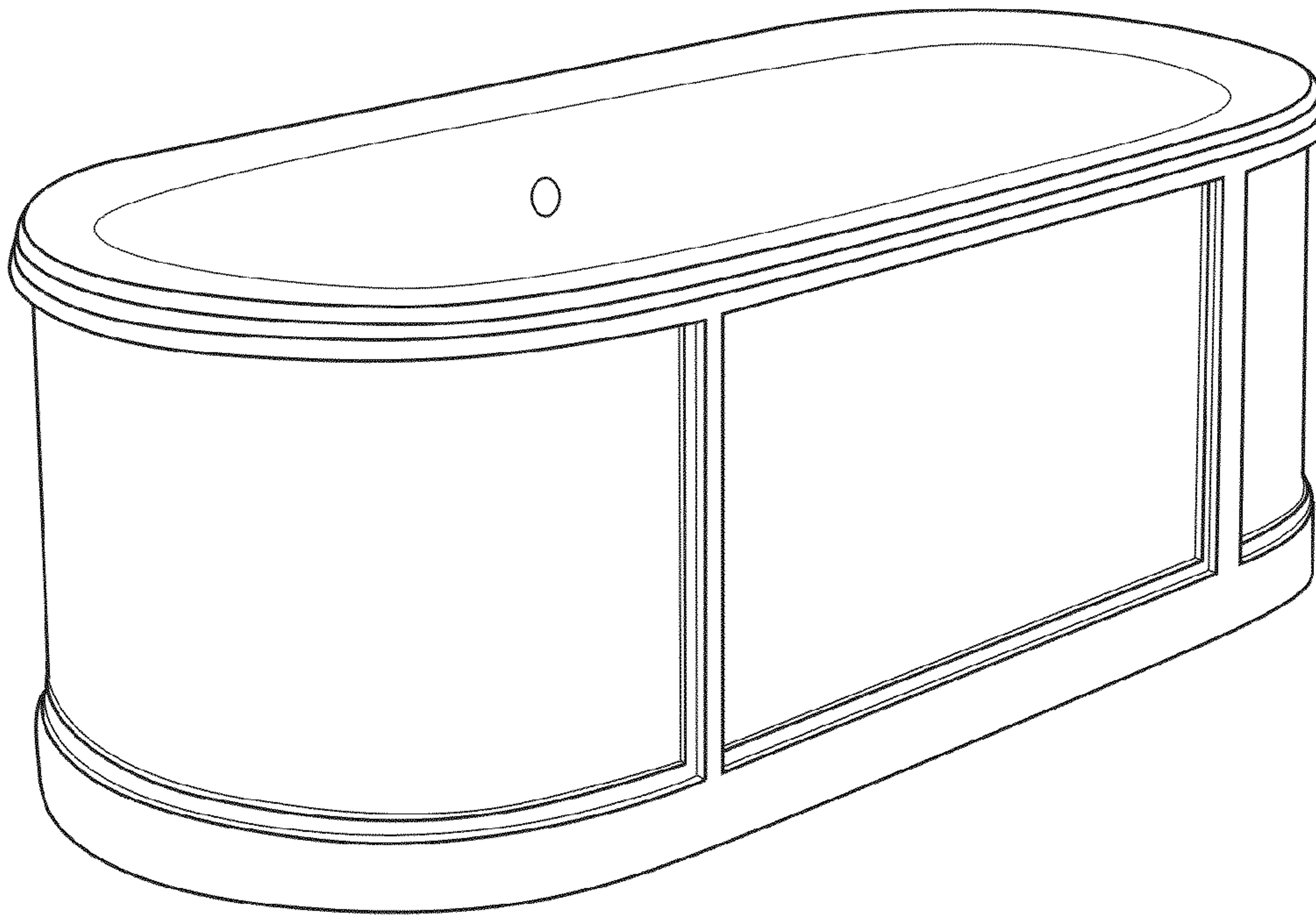


FIG. 1

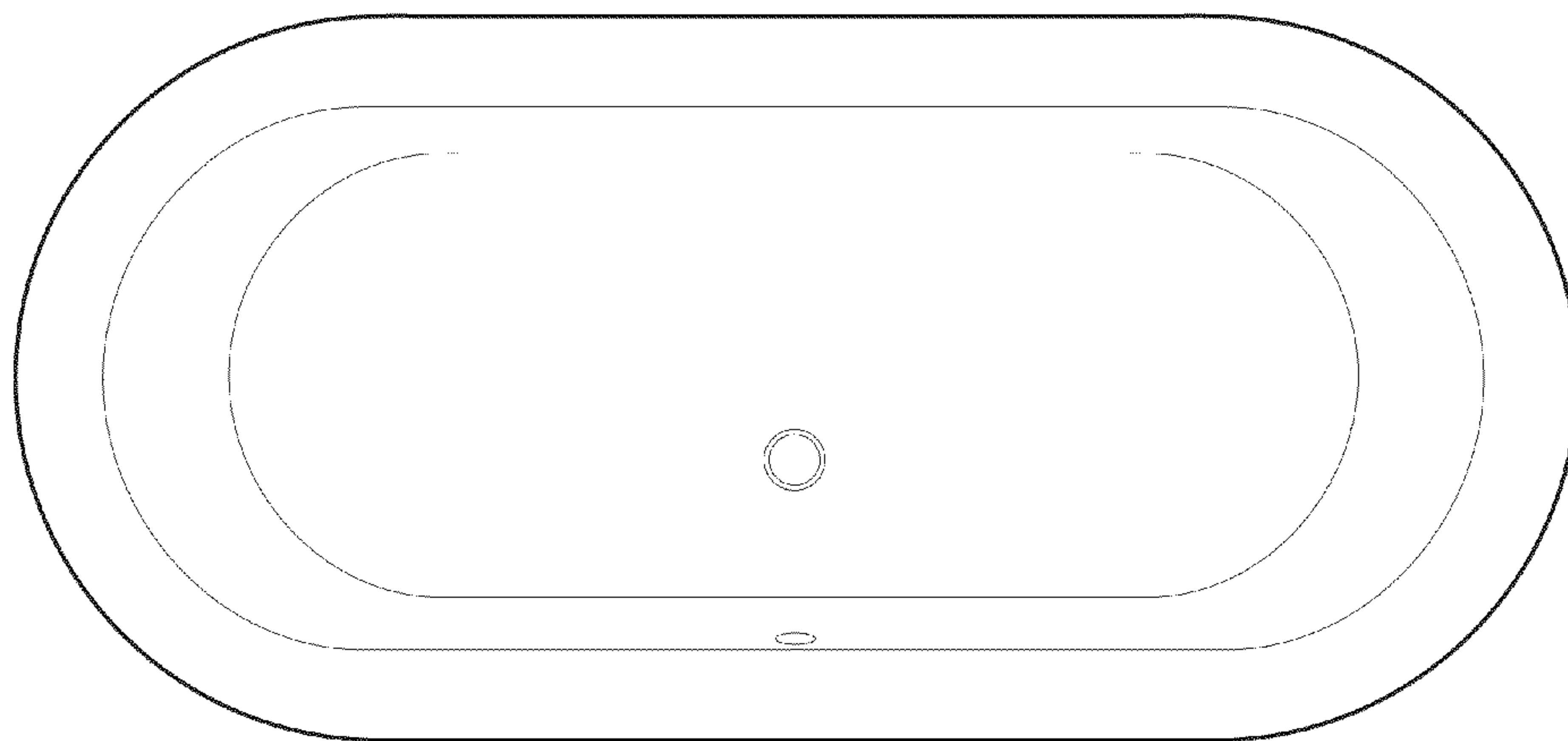


FIG. 2

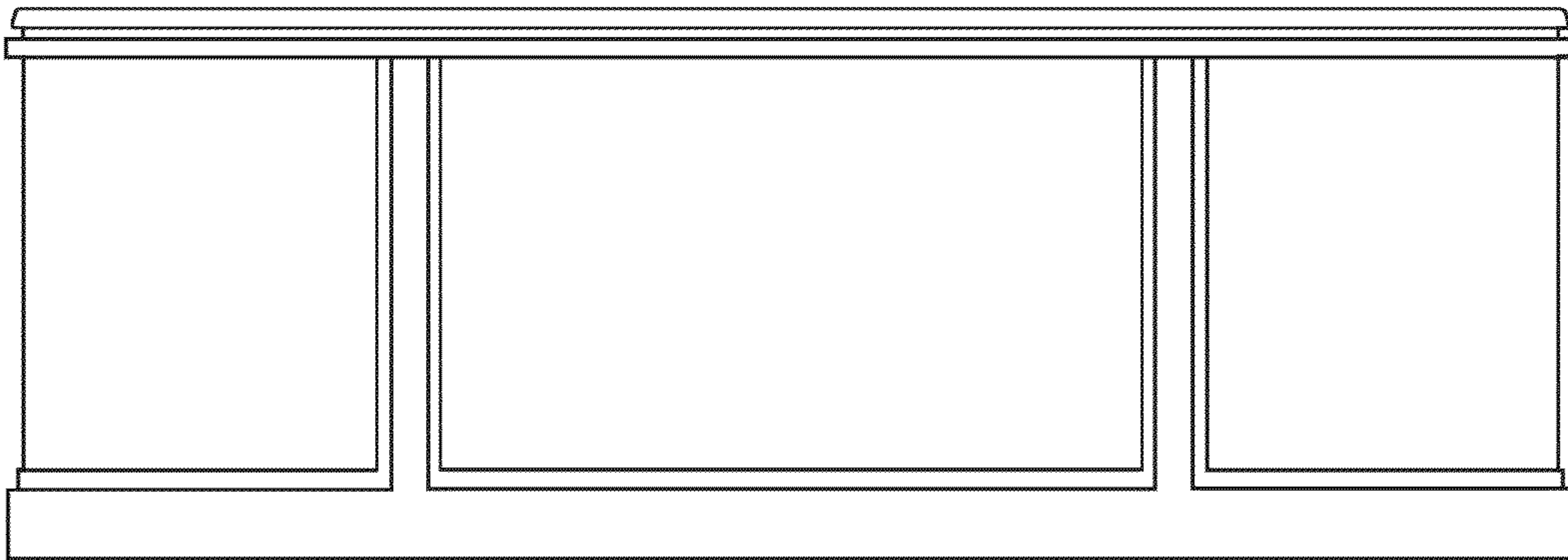


FIG.3

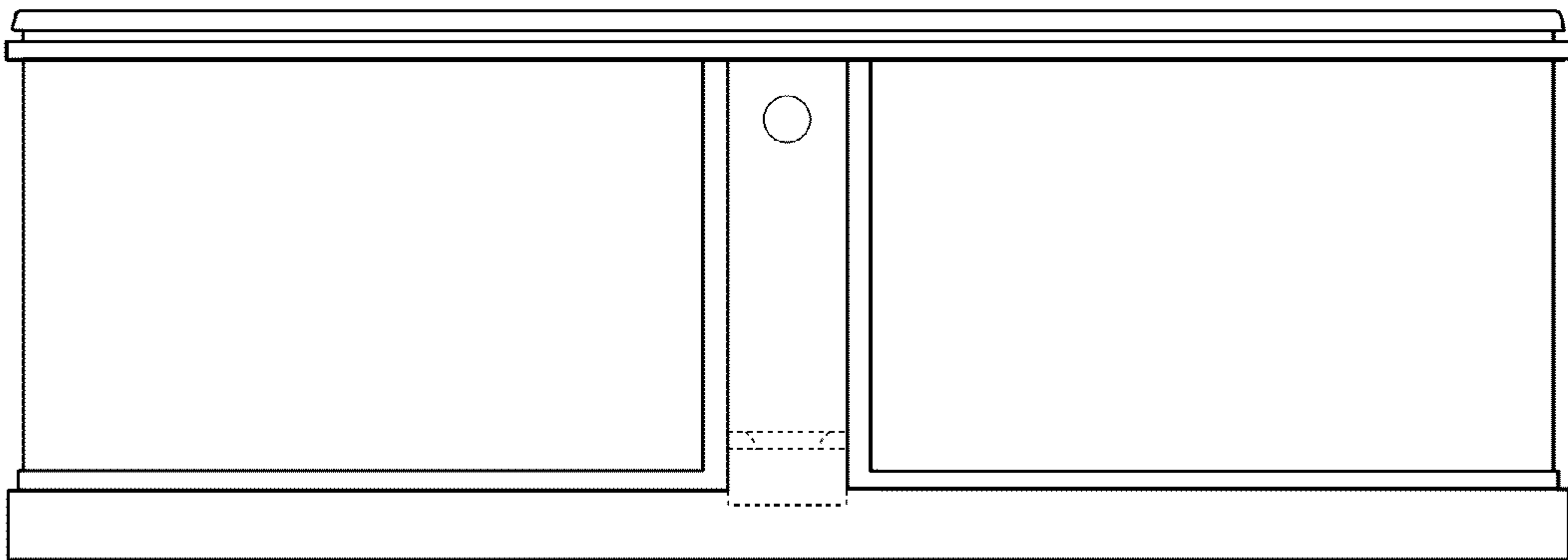


FIG.4

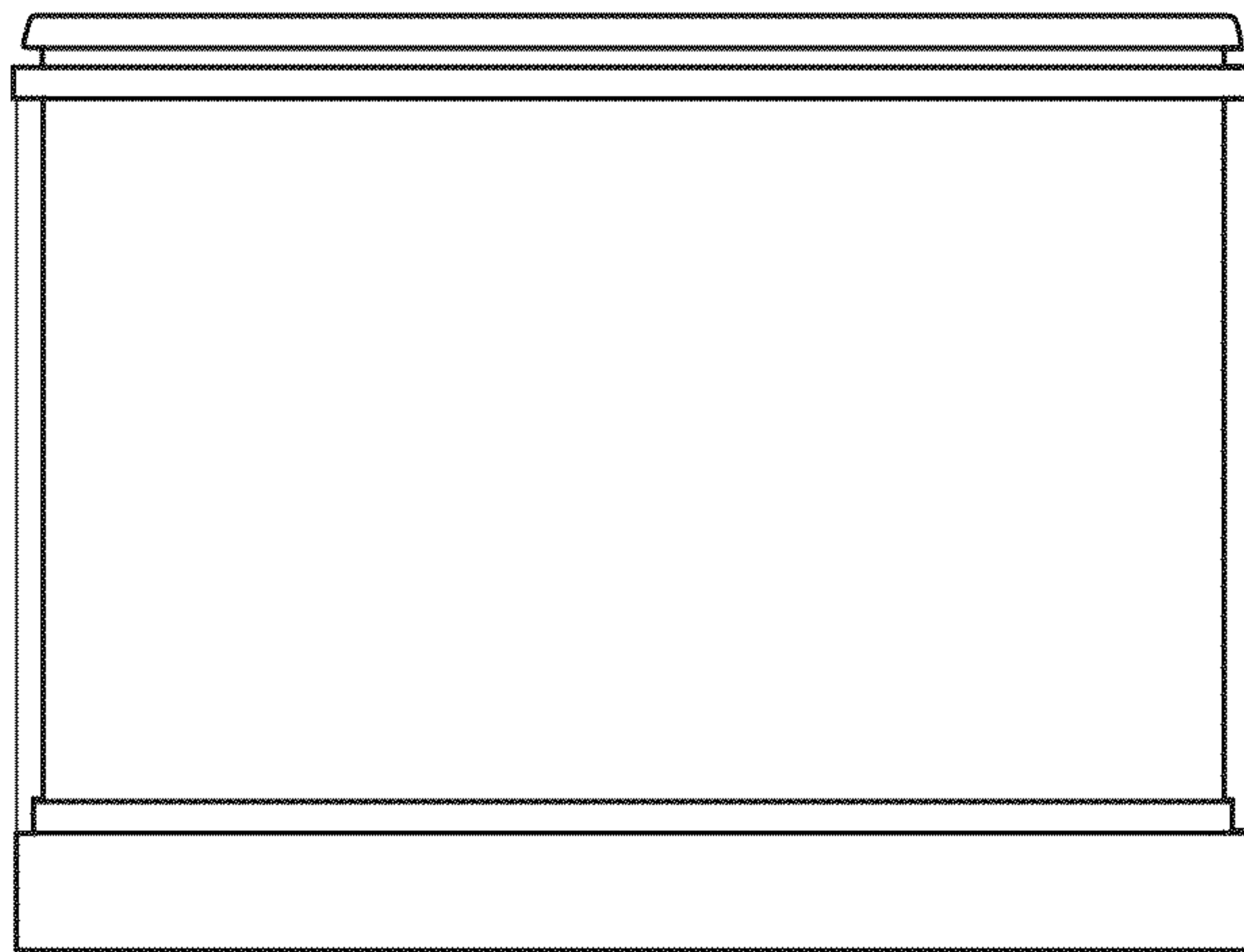


FIG.5