



US00D714425S

(12) **United States Design Patent**
Smith et al.

(10) **Patent No.:** **US D714,425 S**

(45) **Date of Patent:** **** Sep. 30, 2014**

- (54) **FAUCET**
- (71) Applicant: **Kohler Co.**, Kohler, WI (US)
- (72) Inventors: **Michael S. Smith**, Santa Monica, CA (US); **William C. McKeone**, Sheboygan, WI (US)
- (73) Assignee: **Kohler Co.**, Kohler, WI (US)
- (**) Term: **14 Years**
- (21) Appl. No.: **29/452,525**
- (22) Filed: **Apr. 17, 2013**
- (51) **LOC (10) Cl.** **23-01**
- (52) **U.S. Cl.**
USPC **D23/238**
- (58) **Field of Classification Search**
USPC D23/252, 238–243, 249–250, 254–255, D23/257; 4/675–678; 137/801
See application file for complete search history.

D518,557 S *	4/2006	Thun	D23/238
7,082,626 B2 *	8/2006	Williams et al.	4/678
D531,483 S *	11/2006	Kosasih	D8/308
D534,251 S	12/2006	Barry	
D540,142 S	4/2007	Rexach	
D540,910 S	4/2007	Blomstrom	
D563,524 S *	3/2008	Wolf	D23/238
D581,494 S *	11/2008	Dolan et al.	D23/255
D582,013 S *	12/2008	Yuan	D23/250

OTHER PUBLICATIONS

U.S. Appl. No. 29/469,475, filed Oct. 10, 2013, Smith.

* cited by examiner

Primary Examiner — Robert Delehanty

(74) *Attorney, Agent, or Firm* — Foley & Lardner LLP

(57) **CLAIM**

I claim the ornamental design for a faucet, as shown and described.

DESCRIPTION

FIG. 1 is a top, left, front perspective view of an embodiment of the claimed design;
FIG. 2 is a front elevation view thereof;
FIG. 3 is a rear elevation view thereof;
FIG. 4 is a right elevation view thereof;
FIG. 5 is a left elevation view thereof;
FIG. 6 is a top plan view thereof; and,
FIG. 7 is a bottom plan view thereof.

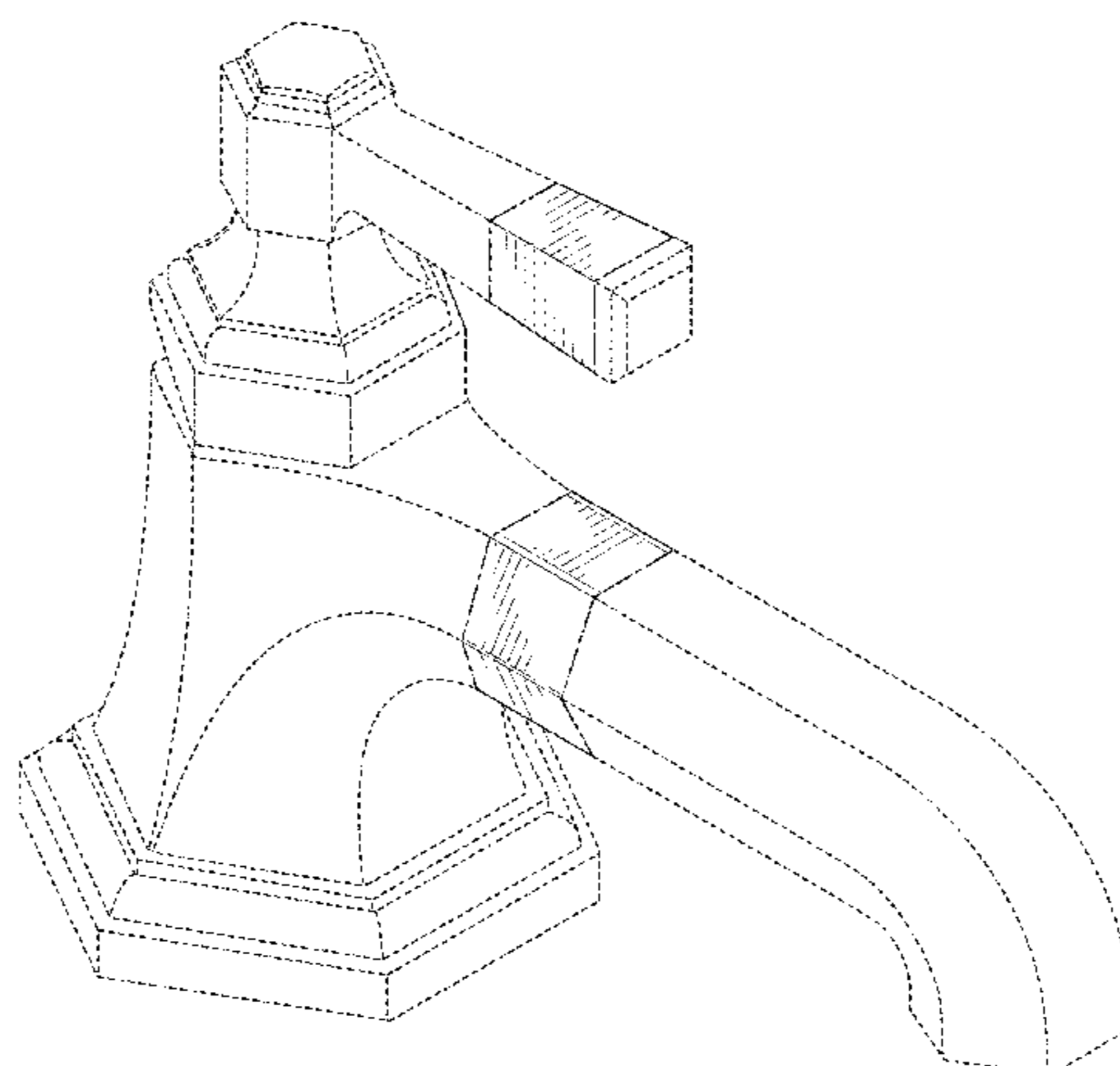
The ornamental design which is claimed is shown in solid lines in the drawings. The broken lines in the drawings are for illustrative purposes only and form no part of the claimed design. Broken lines formed by equal length dashes show unclaimed portions of the design. Broken lines formed of unequal length dashes (i.e., dash-dot) show boundaries between claimed and unclaimed portions of the design. Broken lines having a jagged element show that the no particular length of the portion is claimed.

1 Claim, 7 Drawing Sheets

(56) **References Cited**

U.S. PATENT DOCUMENTS

D76,790 S *	11/1928	Fraser	D23/240
D96,839 S *	9/1935	Johnston	D23/240
D279,403 S	6/1985	Doman	
D322,659 S	12/1991	Reid et al.	
D338,388 S	8/1993	Bengtson	
D350,184 S	8/1994	Kohler, Jr.	
D353,653 S	12/1994	McKeone	
D354,548 S	1/1995	Bollenbacher et al.	
D394,701 S	5/1998	Kohler et al.	
D427,289 S	6/2000	Hundley	
6,317,905 B1 *	11/2001	Slothower	4/678
D462,418 S	9/2002	Smith	
D468,810 S	1/2003	Smith	
D472,615 S	4/2003	Smith	
D478,374 S	8/2003	Smith	
D488,539 S	4/2004	McKeone	
D493,213 S *	7/2004	Svendsen et al.	D23/252



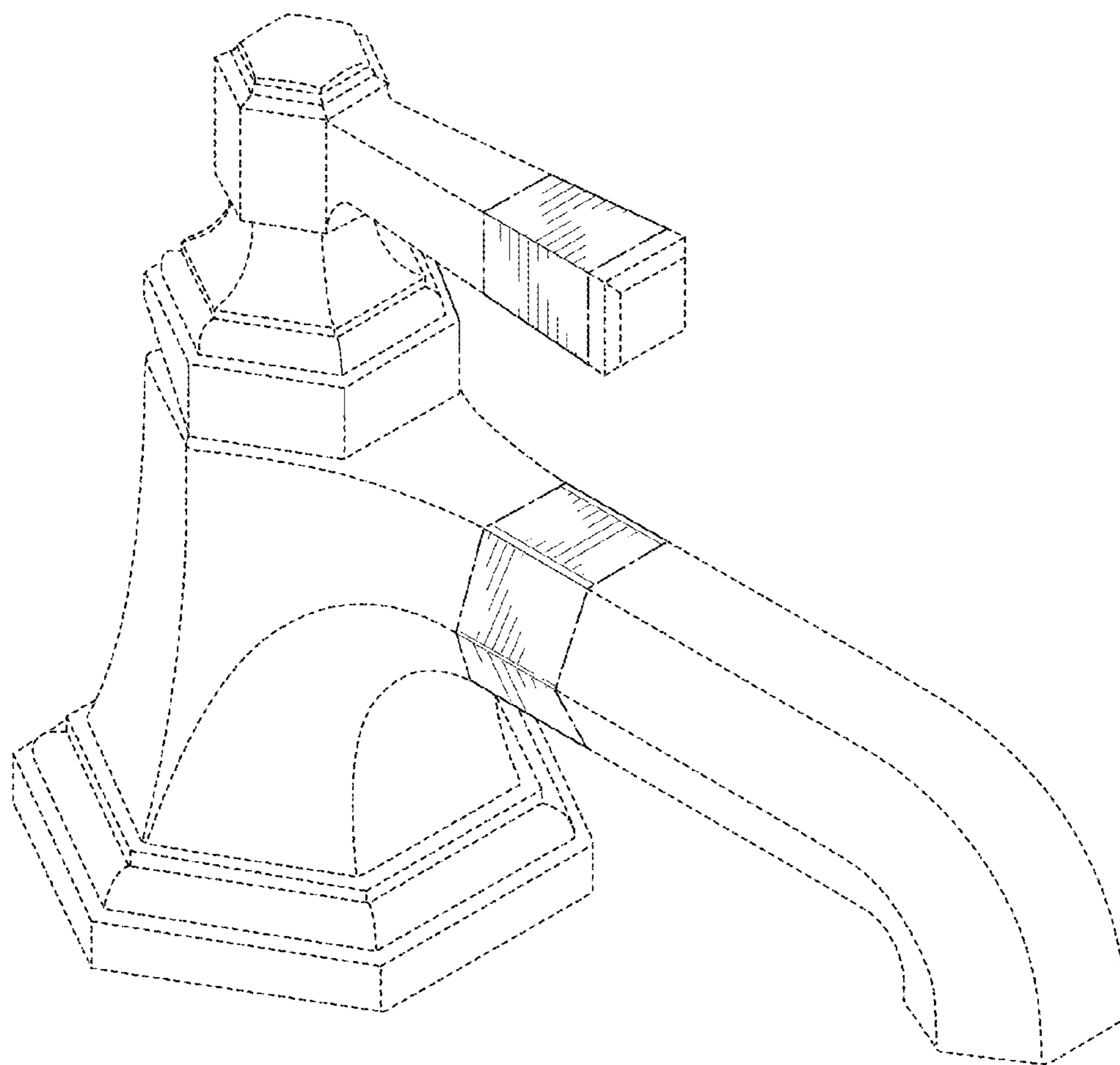


FIG. 1

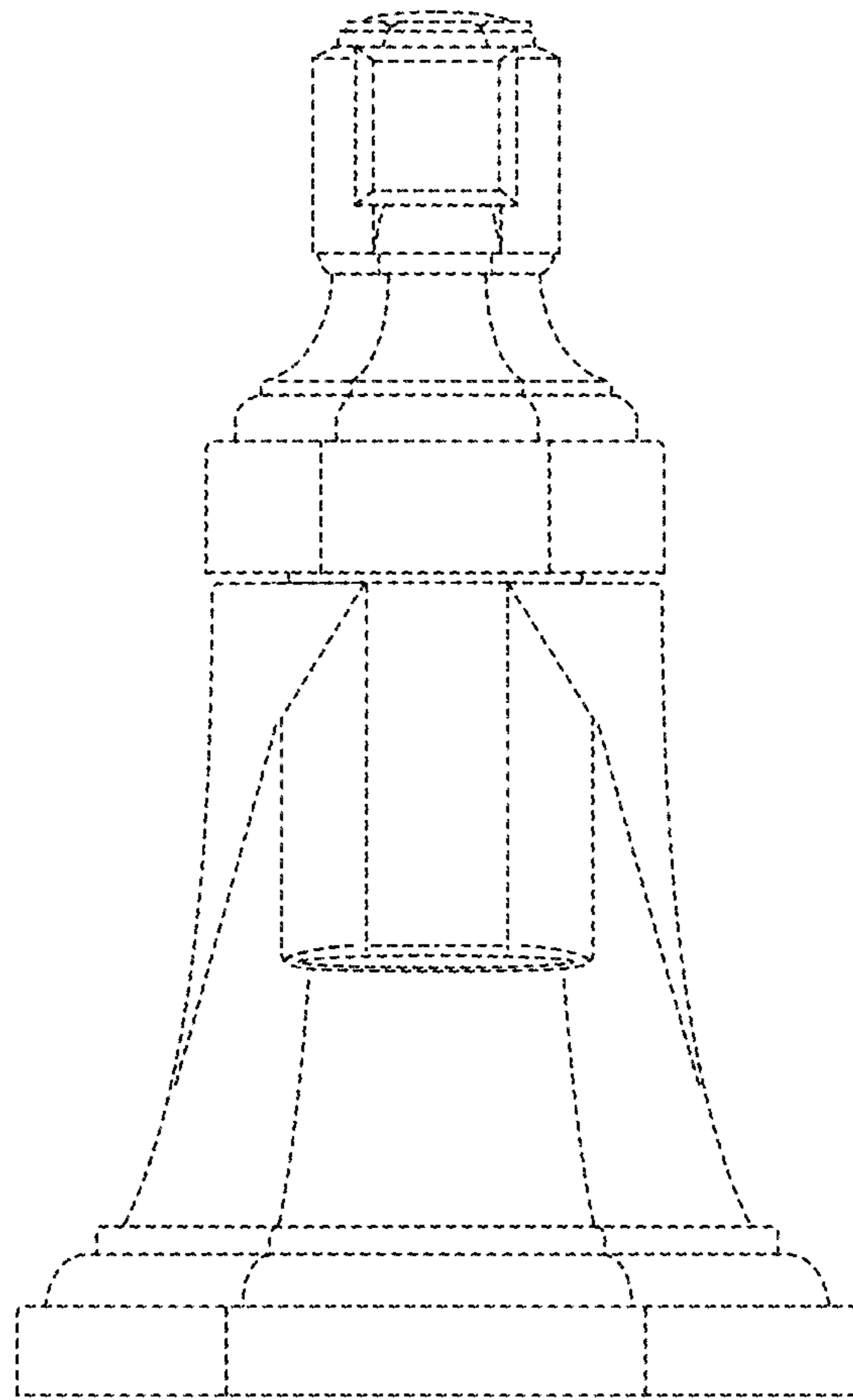


FIG. 2

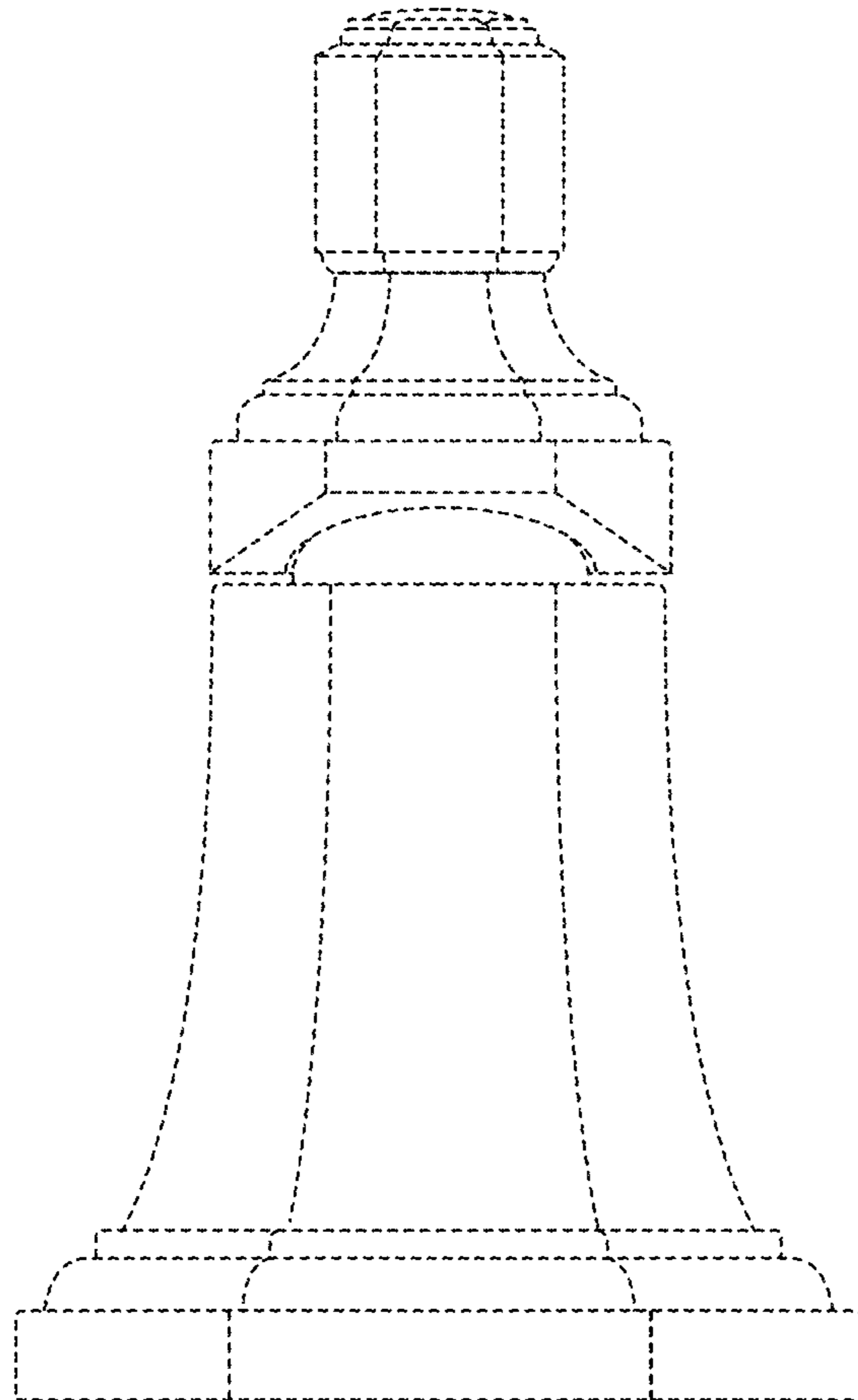


FIG. 3

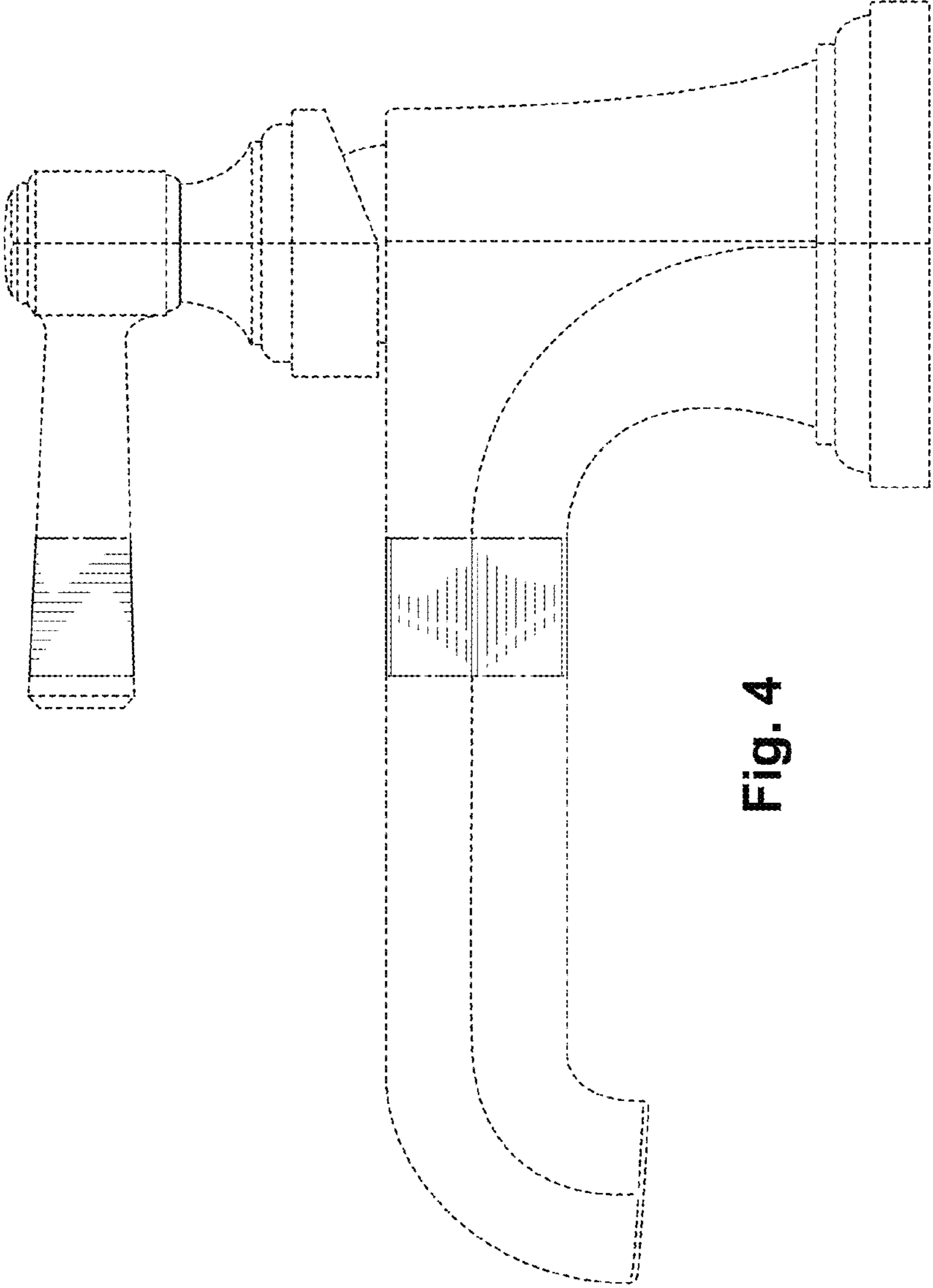


Fig. 4

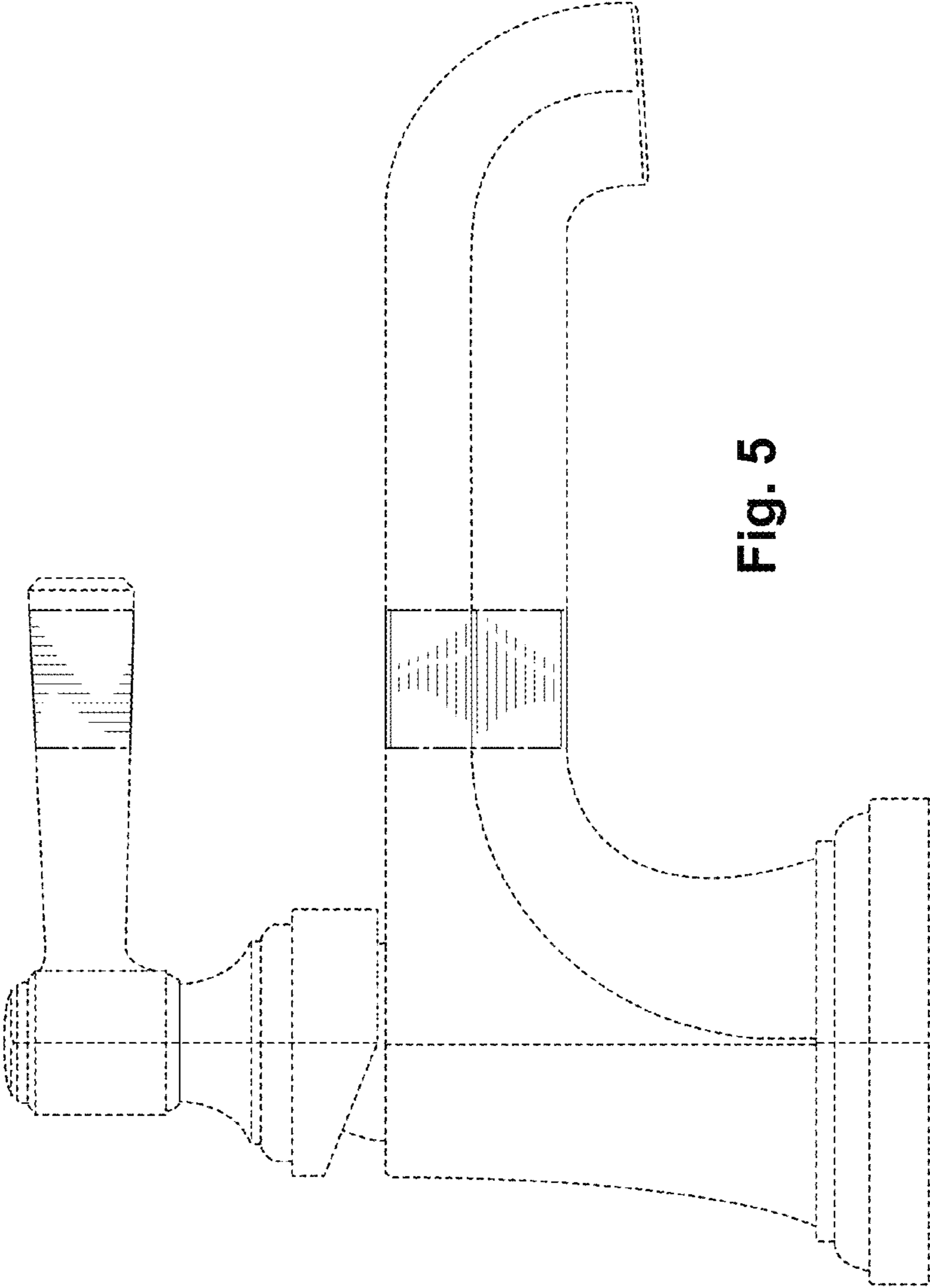


Fig. 5

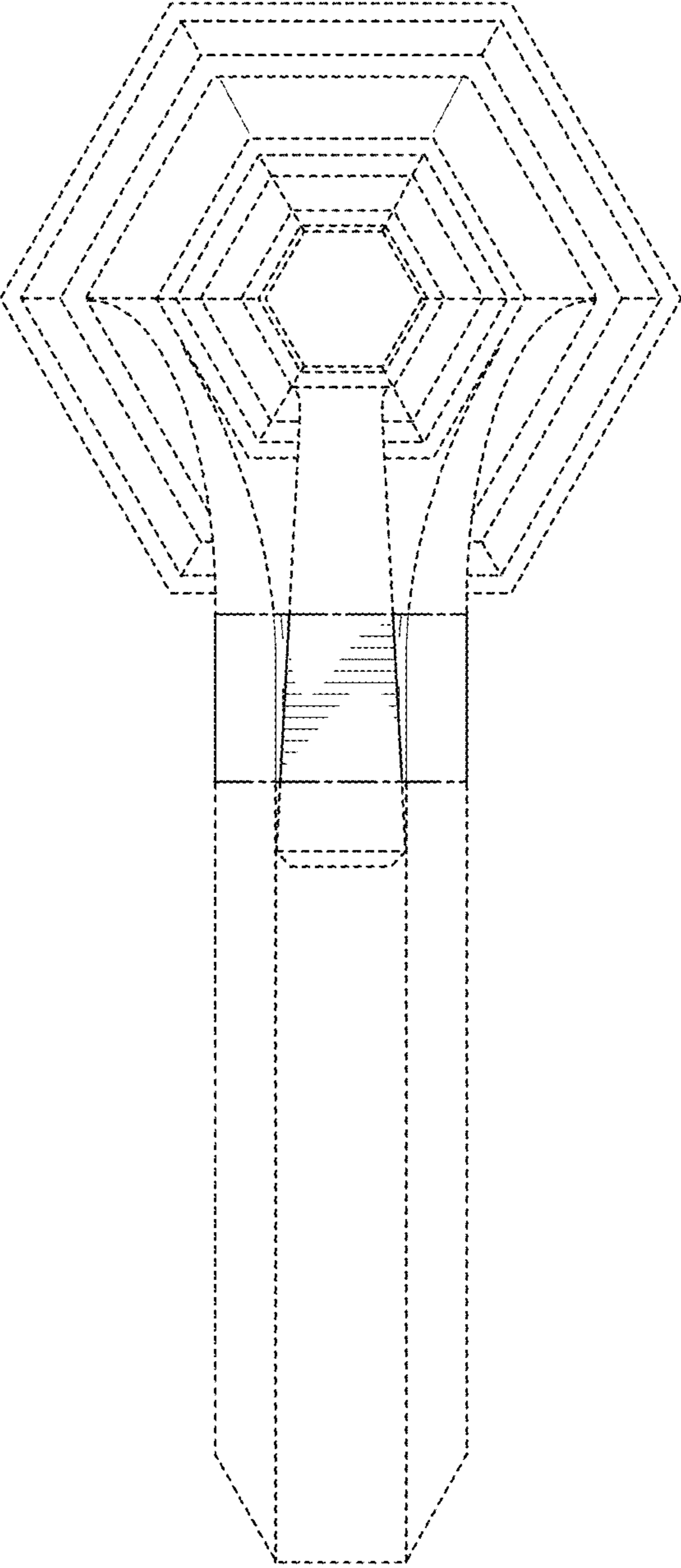


FIG. 6

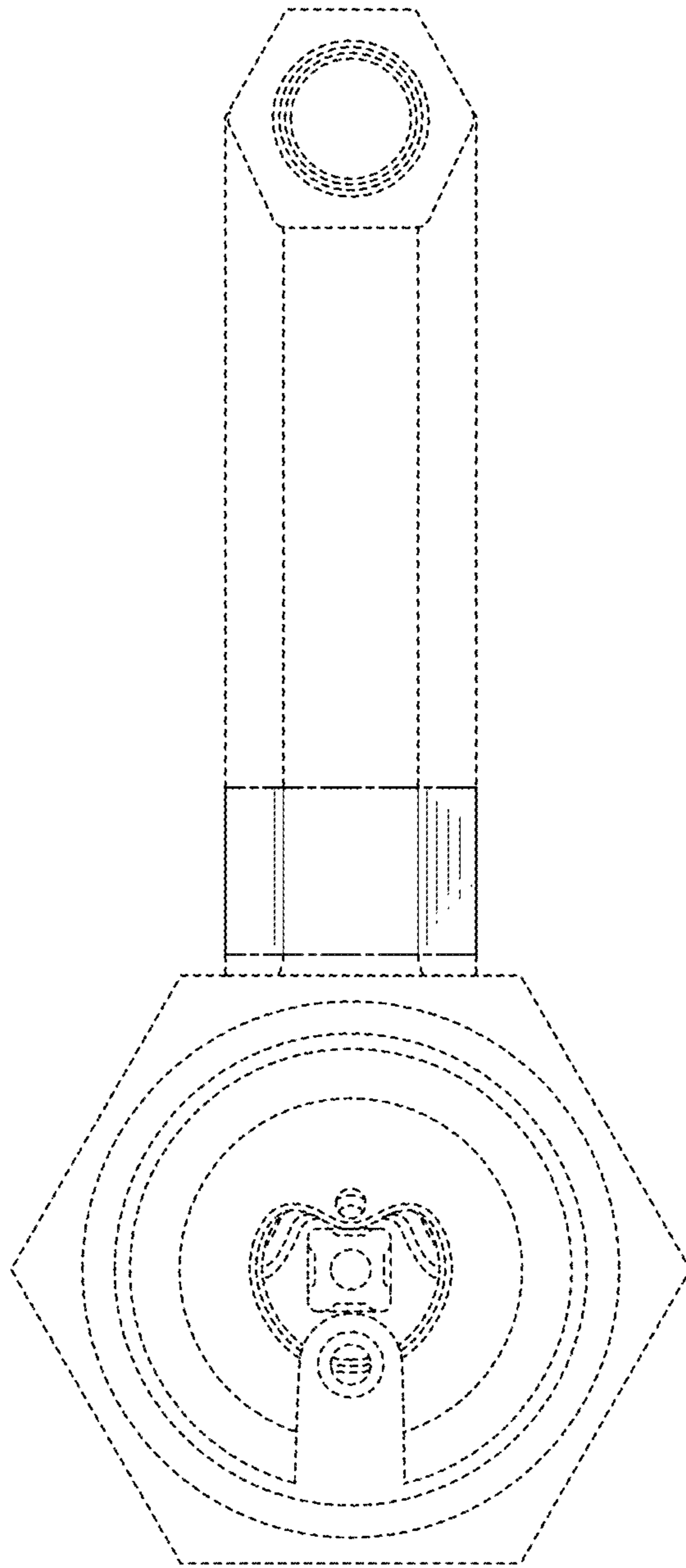


FIG. 7