



US00D714424S

(12) **United States Design Patent**
Schoenherr et al.

(10) **Patent No.:** **US D714,424 S**
(45) **Date of Patent:** **** Sep. 30, 2014**

(54) **OVERHEAD SHOWER**
(71) Applicant: **Hansgrohe SE**, Schiltach (DE)
(72) Inventors: **Tom Schoenherr**, Stuttgart (DE); **Erkan Bilgic**, Stuttgart (DE)
(73) Assignee: **Hansgrohe SE**, Schiltach (DE)
(**) Term: **14 Years**
(21) Appl. No.: **29/466,038**
(22) Filed: **Sep. 4, 2013**

6,631,859 B2 * 10/2003 Schmidt 239/587.3
D557,764 S 12/2007 Schonherr et al.
D586,426 S 2/2009 Schoenherr et al.
D592,275 S 5/2009 Schoenherr et al.
D633,597 S 3/2011 Citterio
8,276,834 B2 * 10/2012 Qiu et al. 239/449
D670,359 S 11/2012 Bai
D672,435 S 12/2012 Romero et al.
8,418,938 B2 * 4/2013 Chen 239/428.5
8,424,783 B2 * 4/2013 Huang 239/583

* cited by examiner

(30) **Foreign Application Priority Data**
Mar. 6, 2013 (EM) 001363329-0002
(51) **LOC (10) Cl.** **23-01**
(52) **U.S. Cl.**
USPC **D23/229**
(58) **Field of Classification Search**
CPC B05B 1/00; B05B 1/18
USPC D23/213, 223, 229, 230; 4/615;
239/282, 283
See application file for complete search history.

Primary Examiner — Robin V Webster
(74) *Attorney, Agent, or Firm* — Lora J. Graentzdoerffer

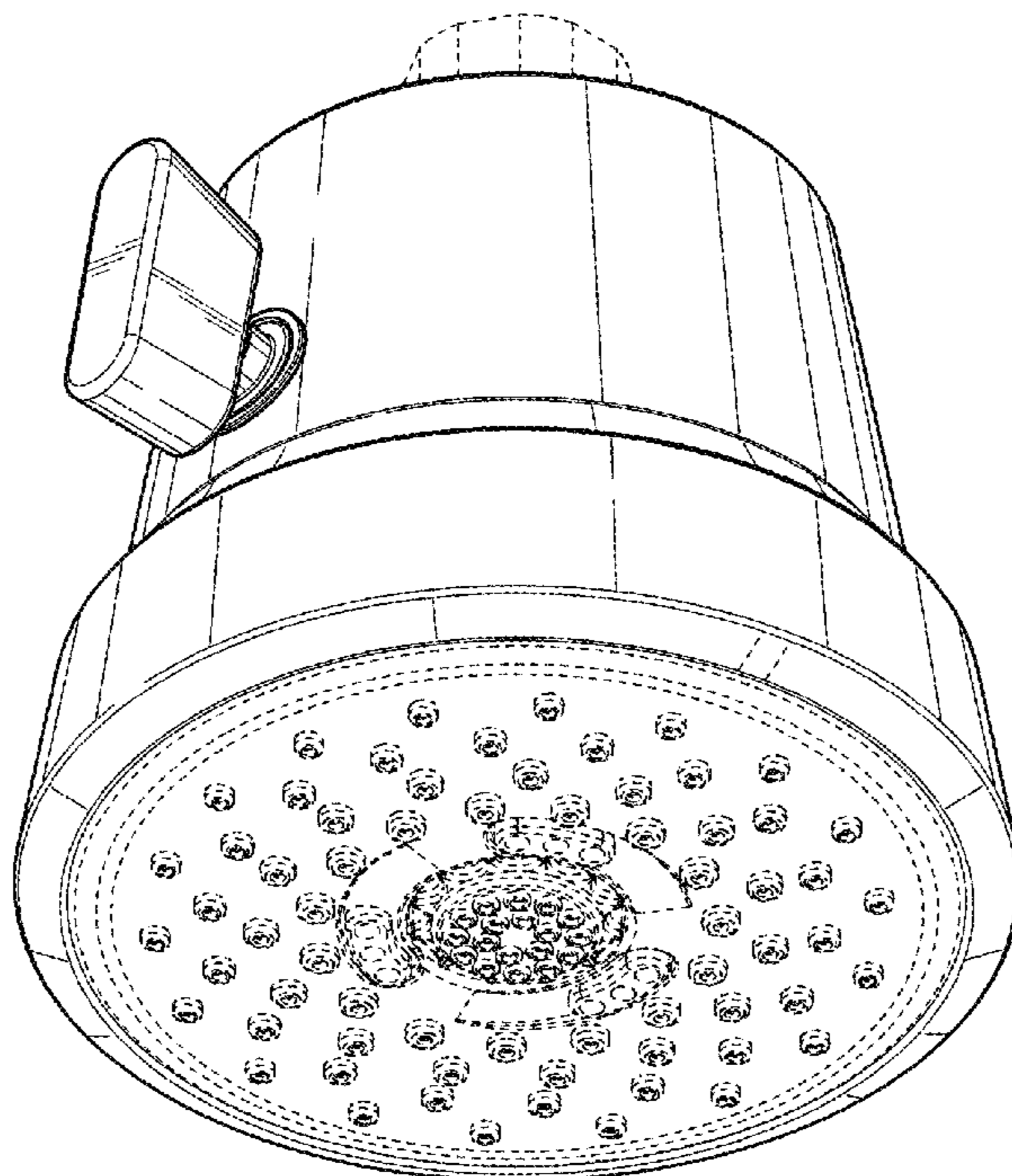
(57) **CLAIM**
The ornamental design for an overhead shower, as shown and described.

(56) **References Cited**
U.S. PATENT DOCUMENTS
4,426,040 A * 1/1984 Smith 239/428.5
D282,198 S * 1/1986 Shames et al. D23/229
D443,029 S 5/2001 Kollmann et al.

DESCRIPTION

FIG. 1 is a perspective view of an overhead shower showing our design;
FIG. 2 is a front elevational view thereof;
FIG. 3 is a rear elevational view thereof;
FIG. 4 is a left side elevational view thereof;
FIG. 5 is a right side elevational view thereof;
FIG. 6 is a top plan view thereof; and,
FIG. 7 is a bottom plan view thereof.
The broken-line disclosure in the views represents portions of the article in which the claimed design is embodied, but which form no part of the claimed design.

1 Claim, 7 Drawing Sheets



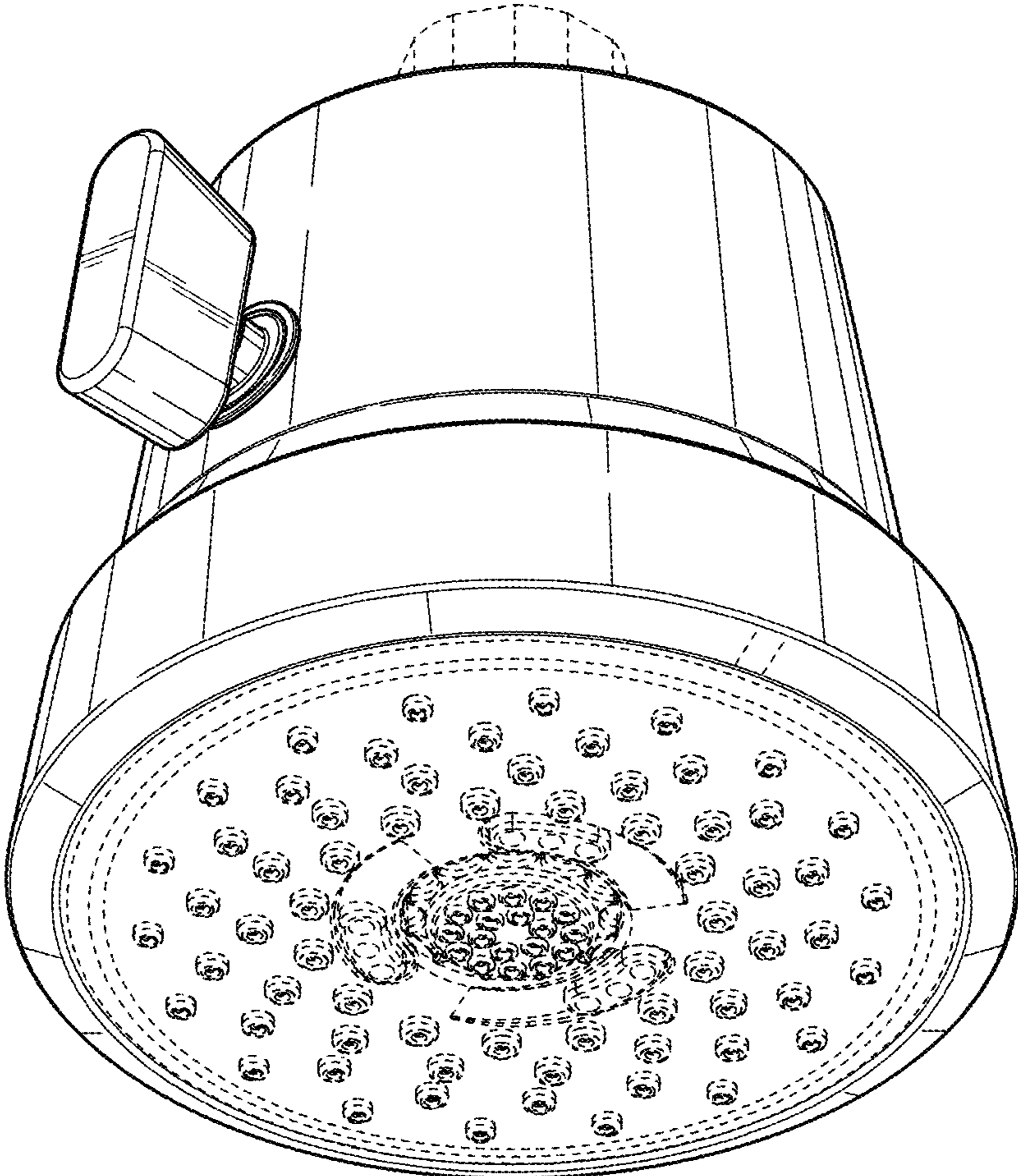


FIG. 1

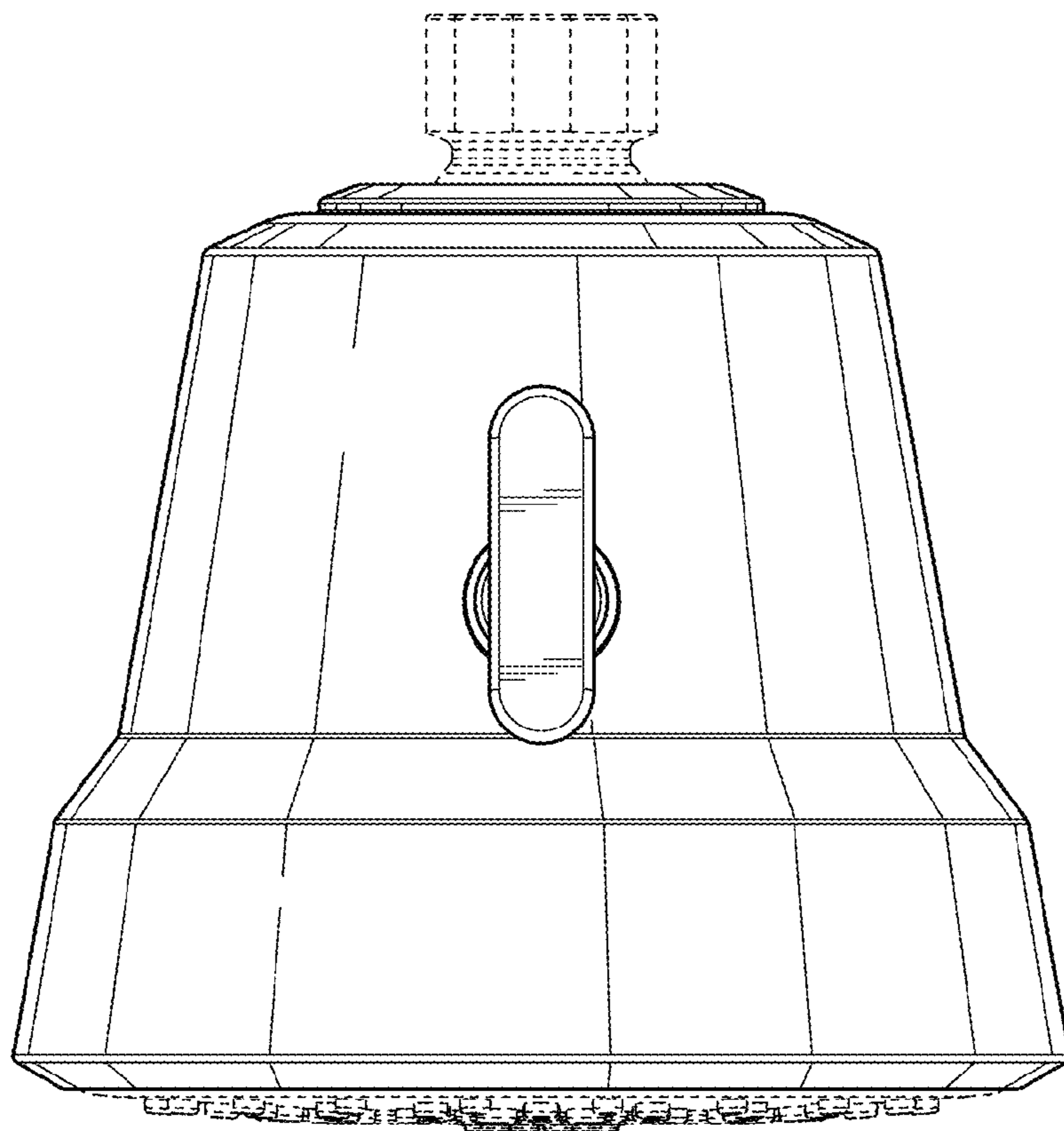


FIG. 2

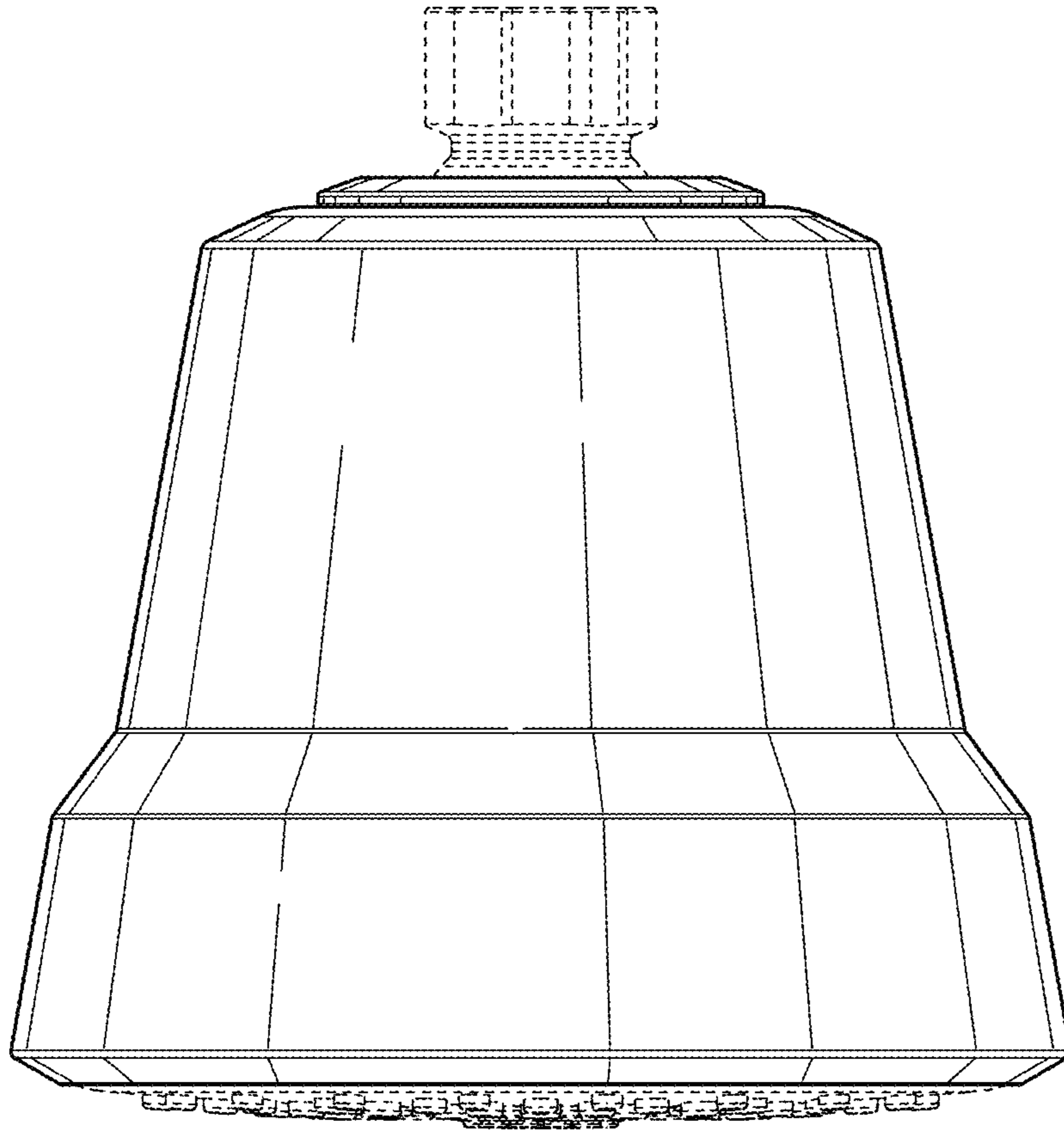


FIG. 3

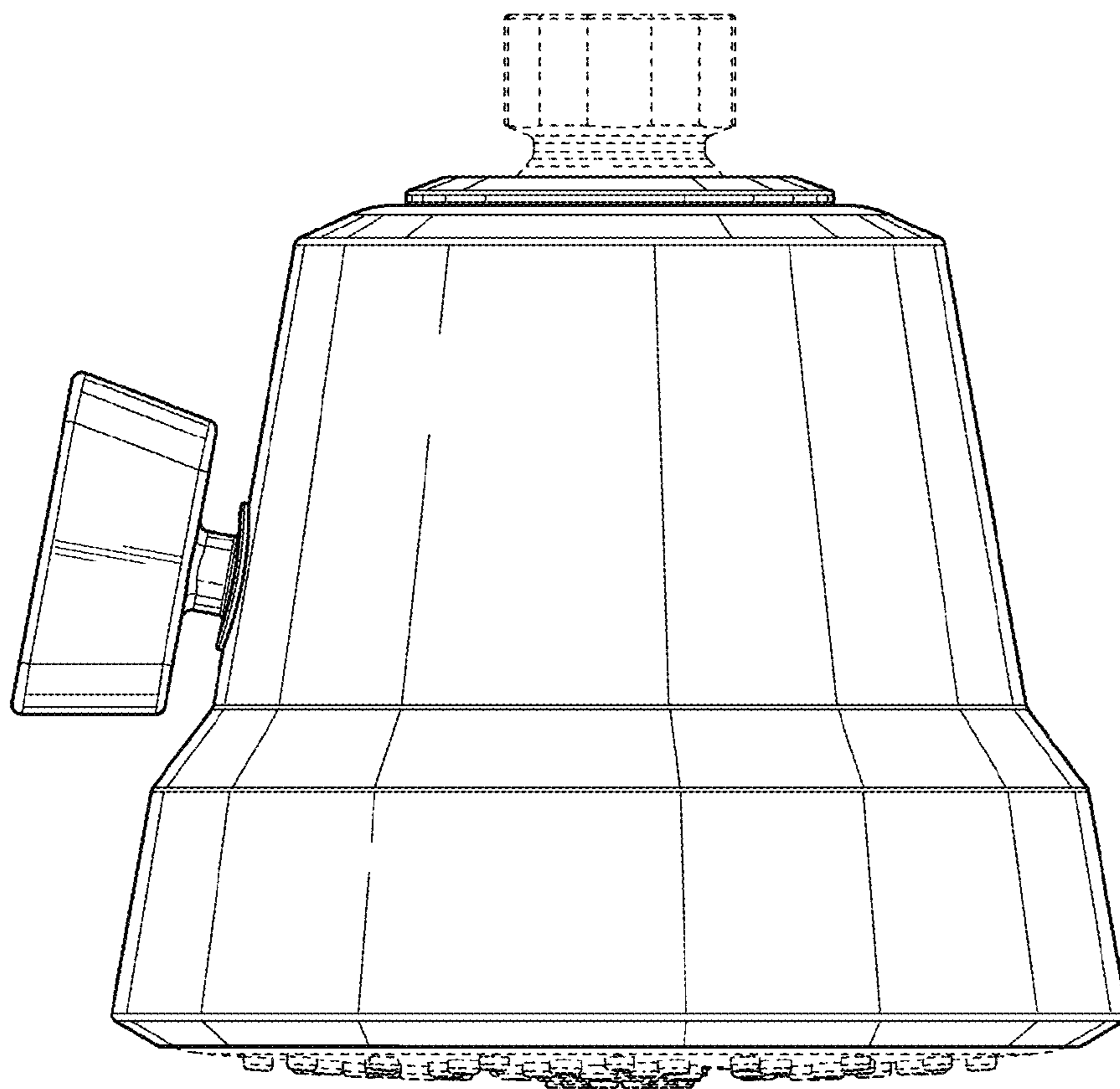


FIG. 4

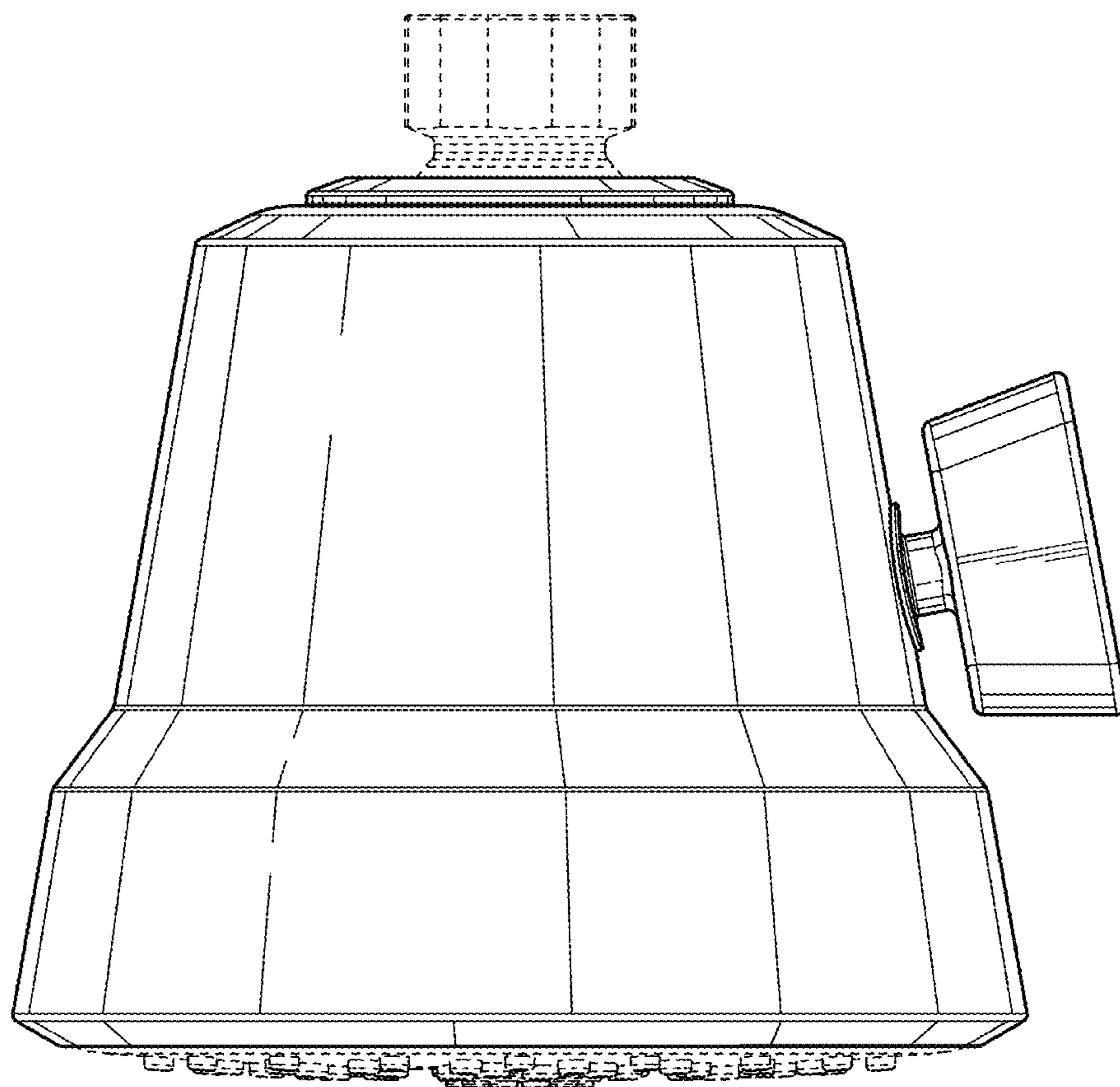


FIG. 5

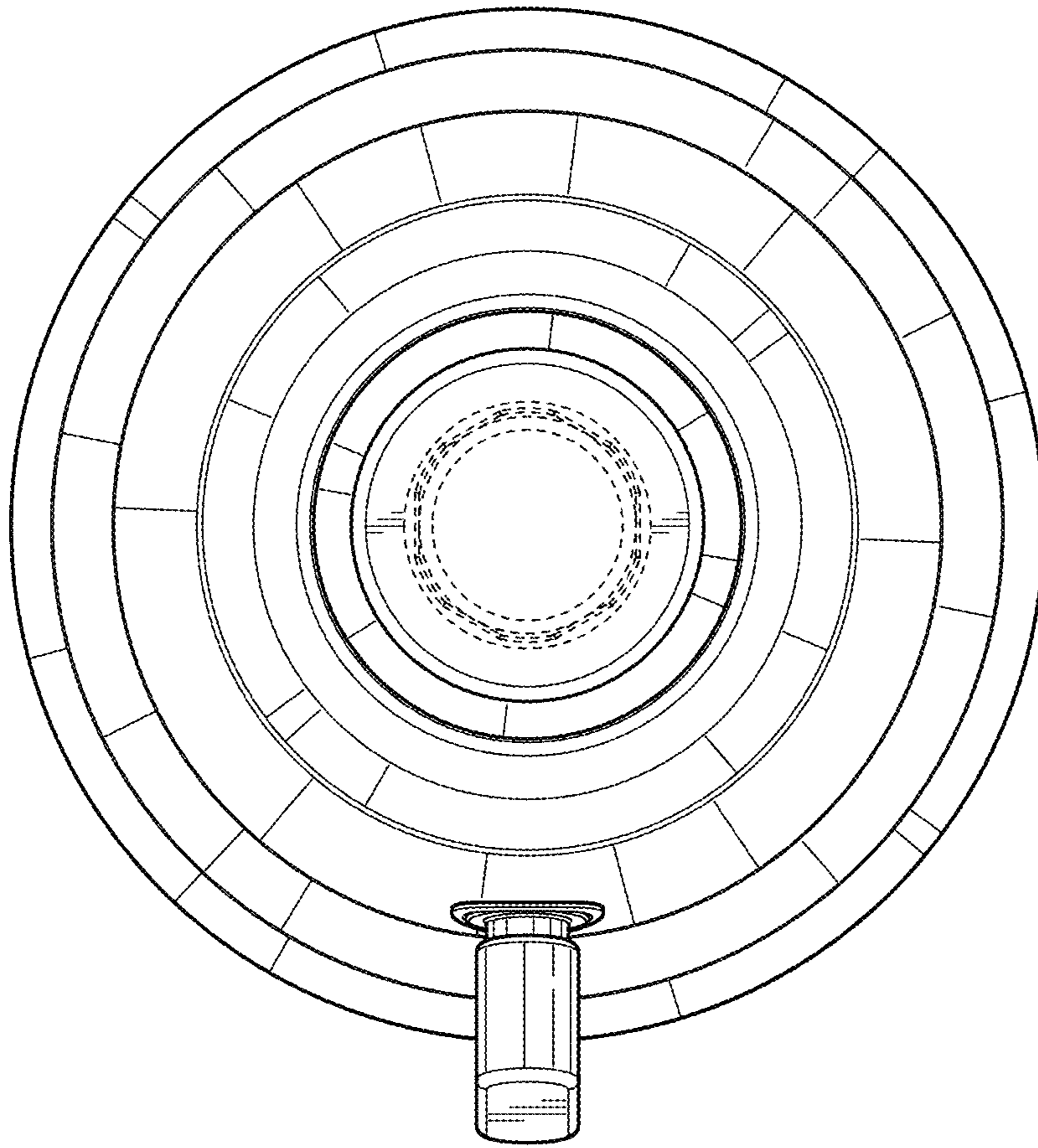


FIG. 6

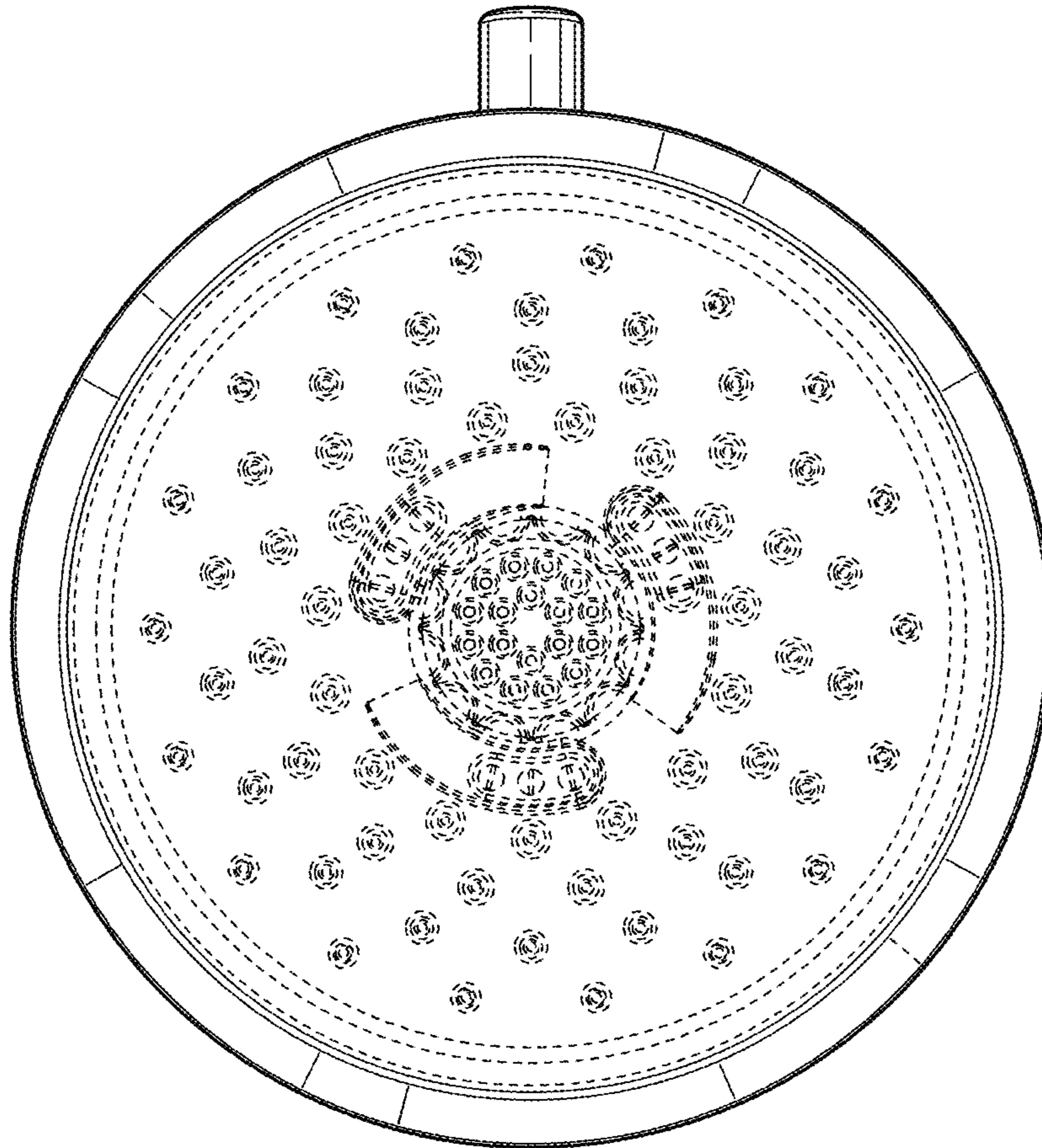


FIG. 7