



US00D714421S

(12) **United States Design Patent**
Flowers et al.

(10) **Patent No.:** **US D714,421 S**

(45) **Date of Patent:** **** Sep. 30, 2014**

(54) **SPRAY HEAD**

(71) Applicant: **Grohe AG**, Hemer (DE)

(72) Inventors: **Paul Flowers**, Duesseldorf (DE); **Ralf Begerow**, Hemer (DE)

(73) Assignee: **Grohe AG**, Hemer (DE)

(**) Term: **14 Years**

(21) Appl. No.: **29/465,434**

(22) Filed: **Aug. 28, 2013**

(30) **Foreign Application Priority Data**

Feb. 28, 2013 (EM) 002192989-0001

(51) **LOC (10) Cl.** **23-01**

(52) **U.S. Cl.**

USPC **D23/223**

(58) **Field of Classification Search**

CPC B05B 1/00; B05B 1/18

USPC D23/213, 223, 229, 230; 4/615;
239/282, 283

See application file for complete search history.

(56) **References Cited**

U.S. PATENT DOCUMENTS

D610,231	S	*	2/2010	Wu et al.	D23/223
D655,383	S	*	3/2012	Flowers et al.	D23/223
D659,794	S	*	5/2012	Flowers et al.	D23/223
D667,928	S	*	9/2012	Cutler et al.	D23/223
D674,048	S	*	1/2013	Yoo et al.	D23/223
D694,361	S	*	11/2013	Schoenherr et al.	D23/223

* cited by examiner

Primary Examiner — Robin V Webster

(74) *Attorney, Agent, or Firm* — Muncy, Geissler, Olds & Lowe, P.C.

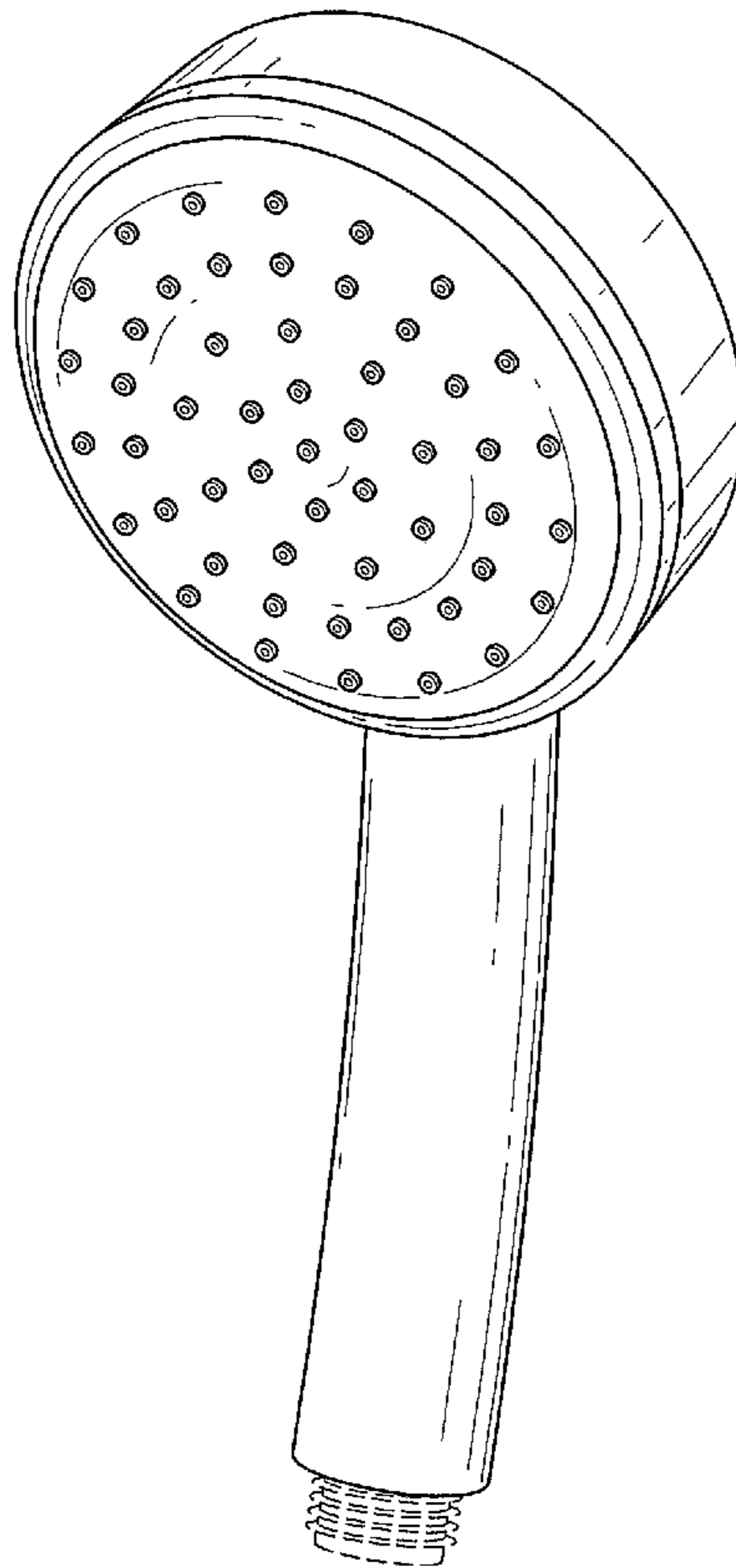
(57) **CLAIM**

The ornamental design for a spray head, as shown and described.

DESCRIPTION

FIG. 1 is a perspective view of a spray head.
FIG. 2 is a front elevational view of the spray head of FIG. 1.
FIG. 3 is a rear elevational view of the spray head of FIG. 1.
FIG. 4 is a top plan view of the spray head of FIG. 1.
FIG. 5 is a bottom plan view of the spray head of FIG. 1.
FIG. 6 is a left elevational view of the spray head of FIG. 1;
and,
FIG. 7 is a right elevational view of the spray head of FIG. 1.
The broken line showing of the threaded portion of the spray head is included for the purpose of illustrating and forms no part of the claimed design.

1 Claim, 7 Drawing Sheets



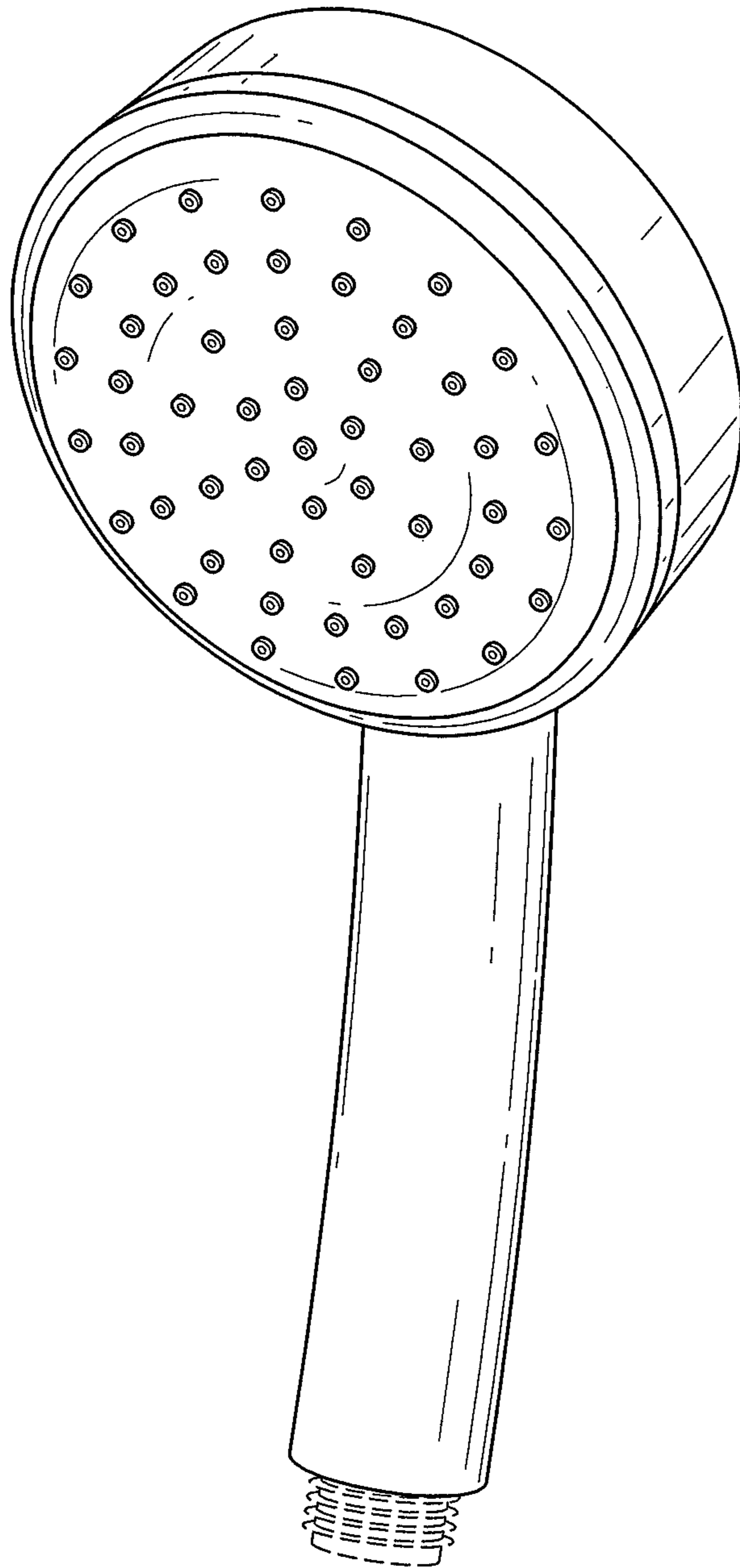


FIG. 1

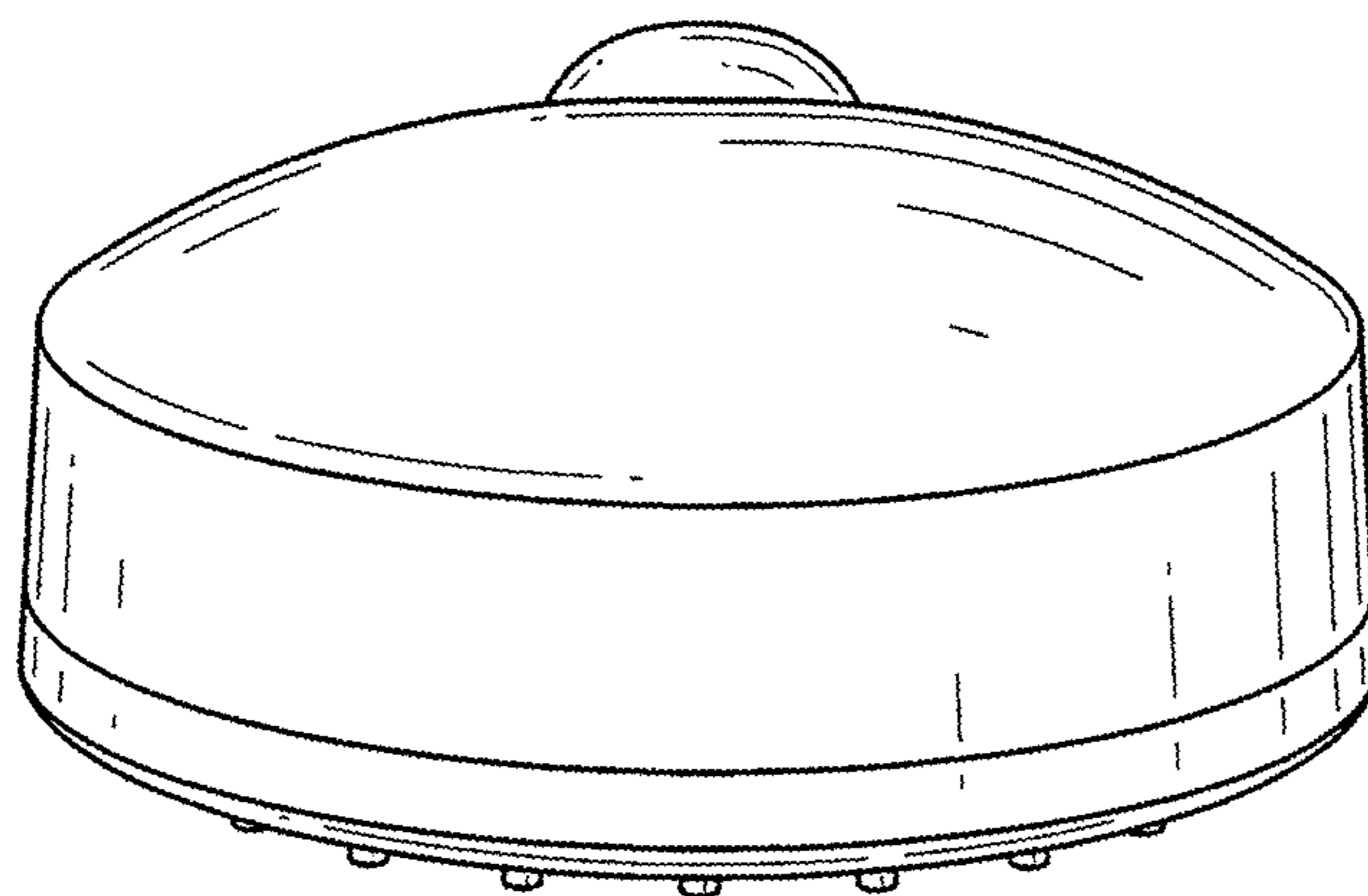


FIG.2

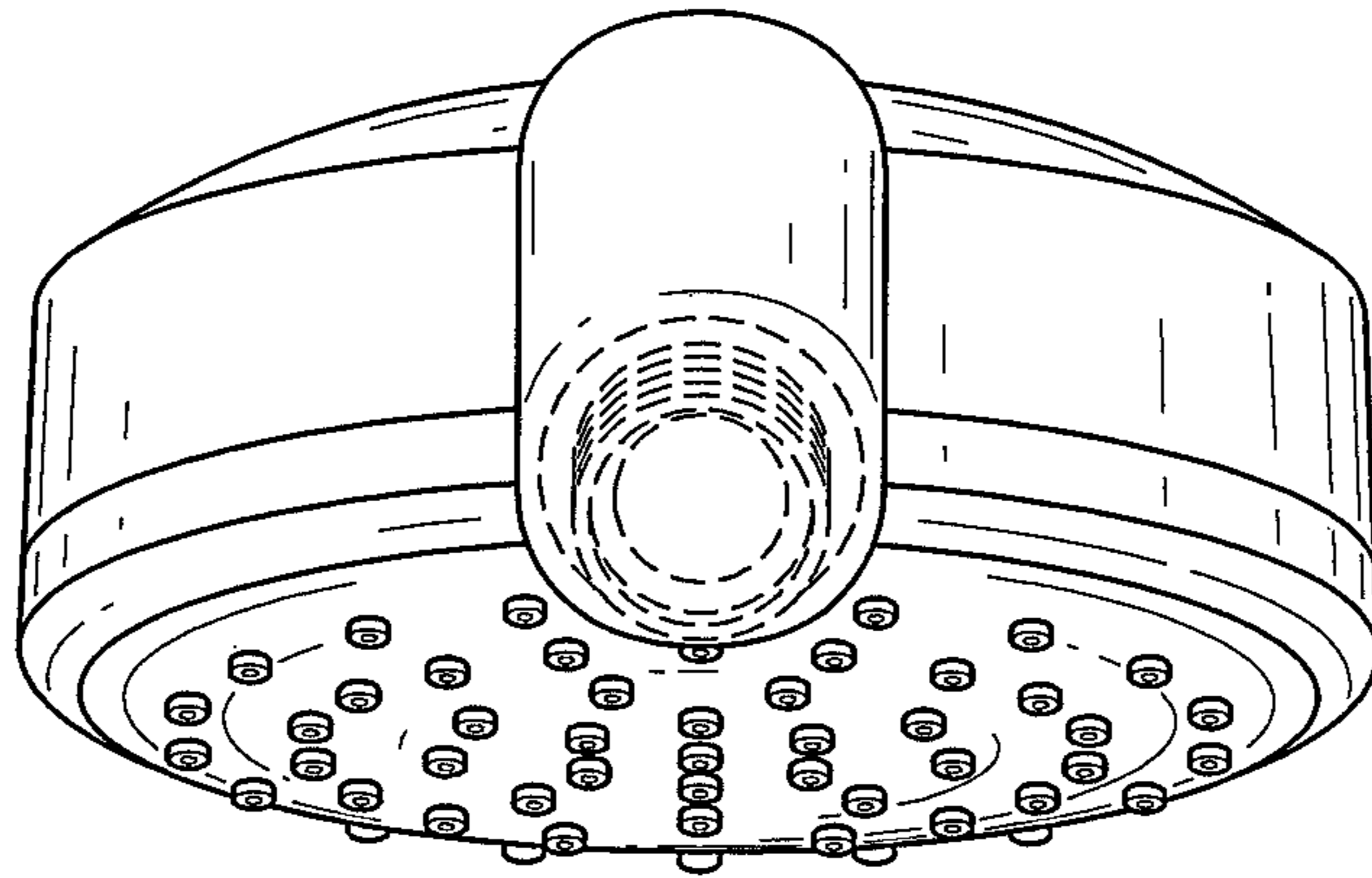


FIG.3

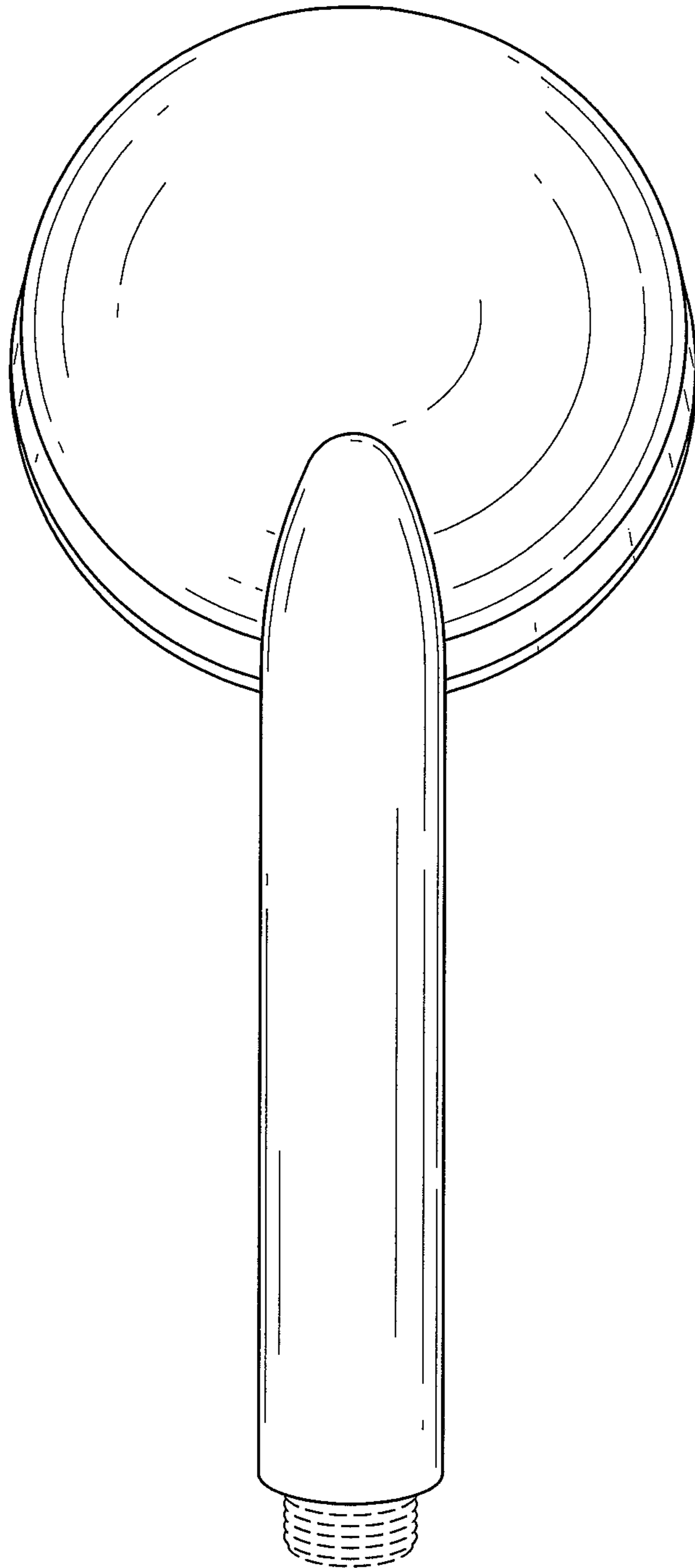


FIG.4

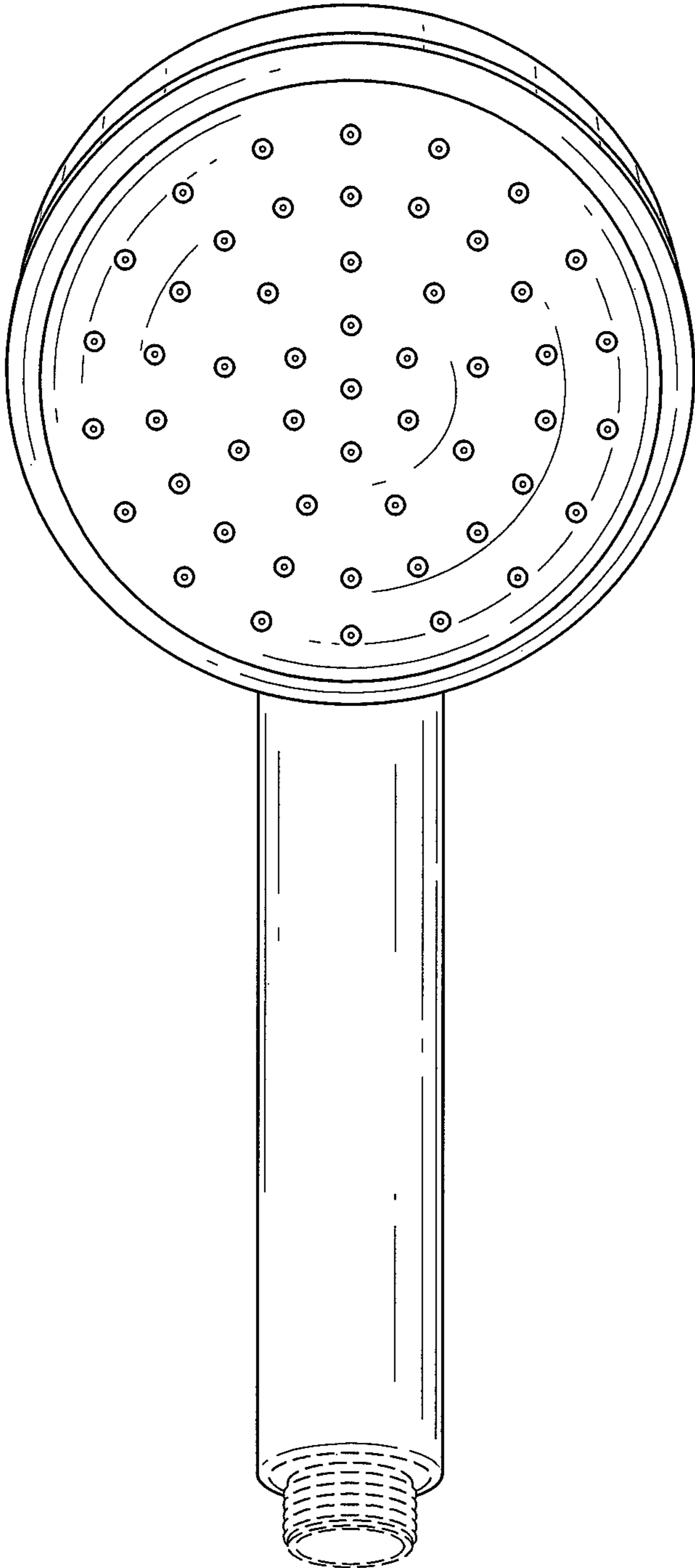


FIG.5

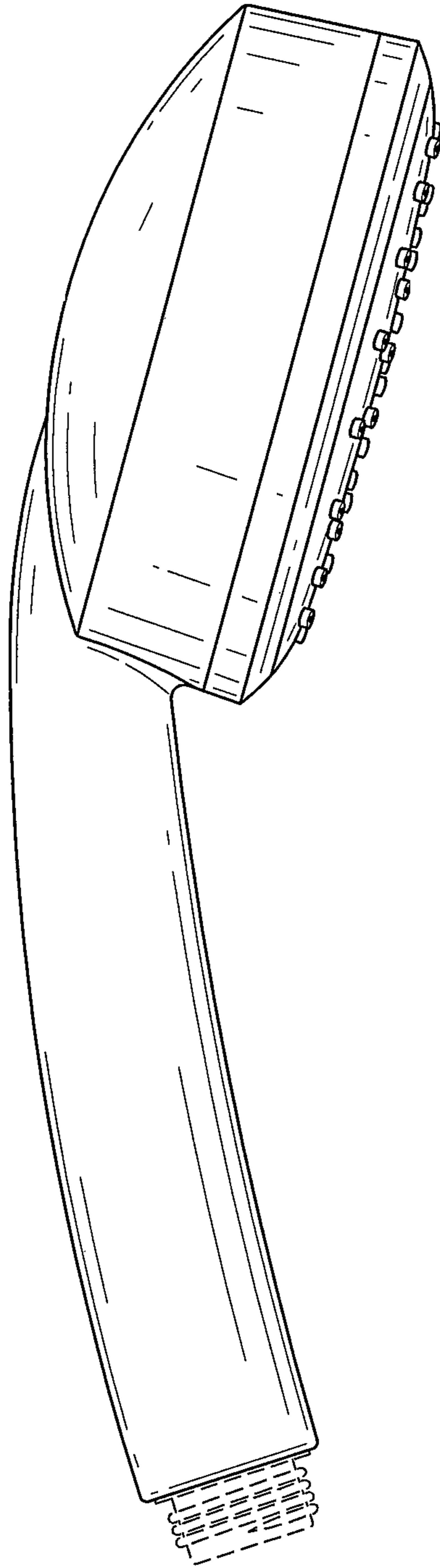


FIG.6

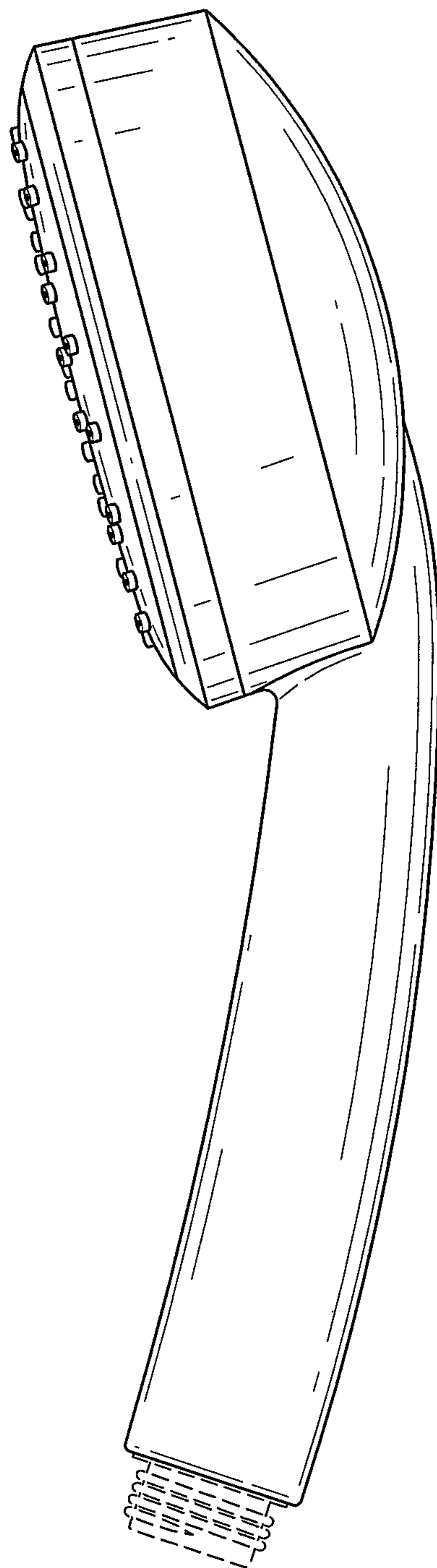


FIG.7