



US00D714418S

(12) **United States Design Patent**
Skeele, III

(10) **Patent No.:** **US D714,418 S**

(45) **Date of Patent:** **** Sep. 30, 2014**

(54) **WALL MOUNT STORAGE TANK**

(71) Applicant: **William R Skeele, III**, Colorado
Springs, CO (US)

(72) Inventor: **William R Skeele, III**, Colorado
Springs, CO (US)

(**) Term: **14 Years**

(21) Appl. No.: **29/457,429**

(22) Filed: **Jun. 10, 2013**

(51) **LOC (10) Cl.** **23-01**

(52) **U.S. Cl.**
USPC **D23/202**

(58) **Field of Classification Search**
USPC D23/202-205; 220/565, 560.04, 581,
220/586, 590

See application file for complete search history.

(56) **References Cited**

U.S. PATENT DOCUMENTS

D647,996 S * 11/2011 Griffin D23/200
D689,979 S * 9/2013 Pritchard D23/202

* cited by examiner

Primary Examiner — Robin V Webster

(74) *Attorney, Agent, or Firm* — Harpman & Harpman

(57) **CLAIM**

The ornamental design for a wall mount storage tank, as shown and described.

DESCRIPTION

FIG. 1 is a perspective view of my original design for a wall mount storage tank.

FIG. 2 is a front elevational view thereof.

FIG. 3 is a rear elevational view thereof.

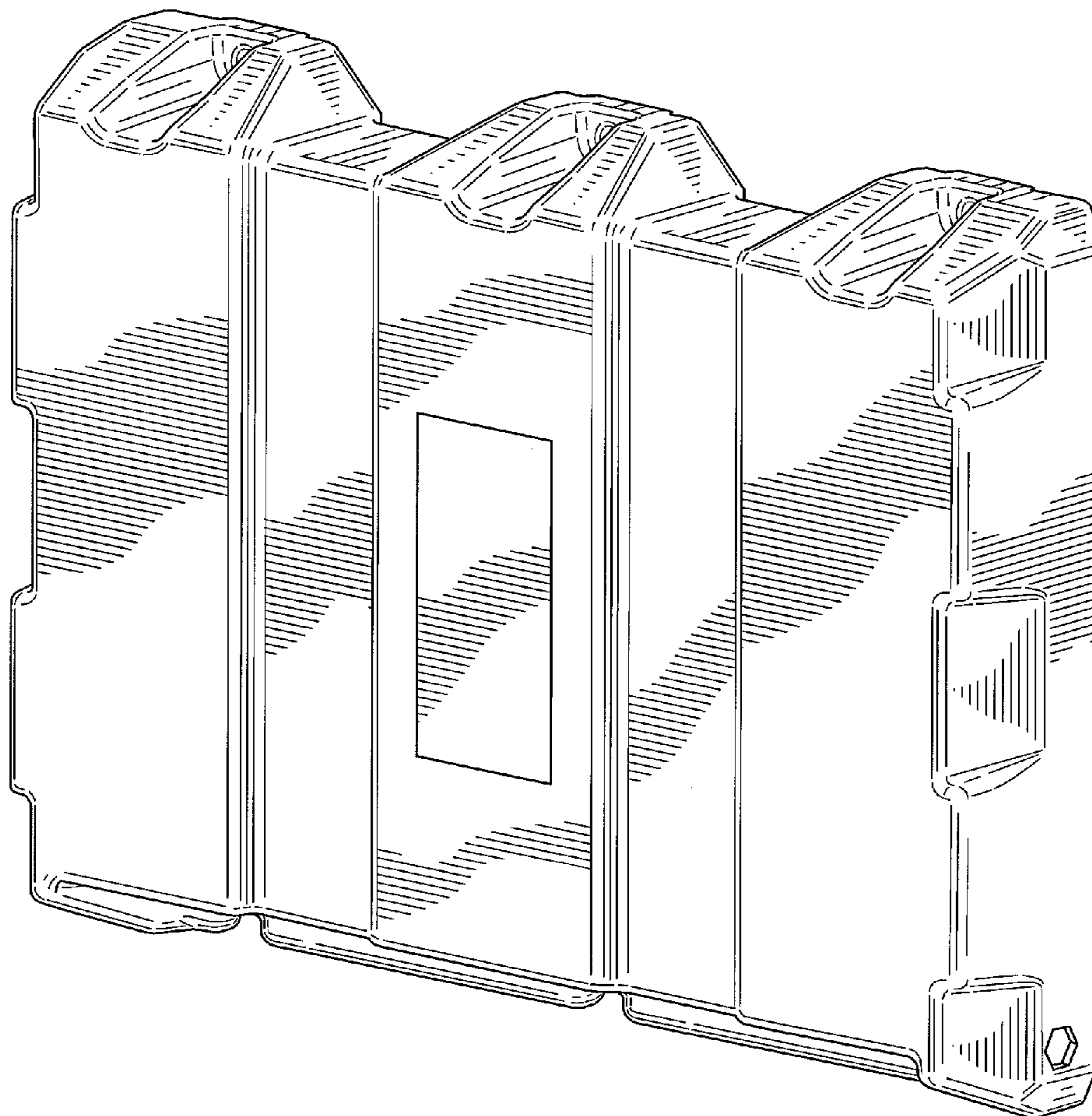
FIG. 4 is a right side elevational view thereof.

FIG. 5 is a left side elevational view thereof.

FIG. 6 is a top plan view of my design; and,

FIG. 7 is a bottom plan view of my design.

1 Claim, 5 Drawing Sheets



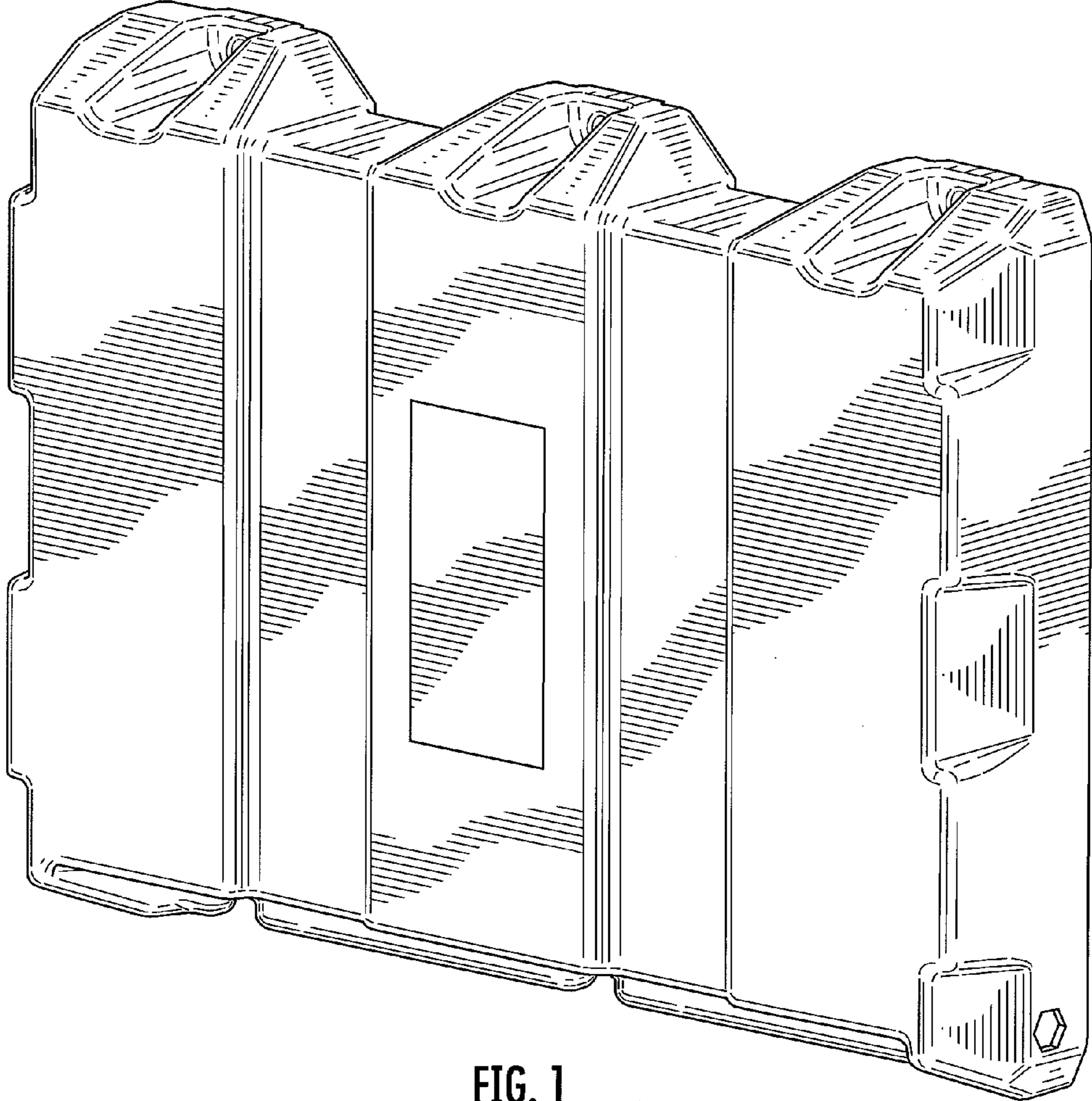


FIG. 1

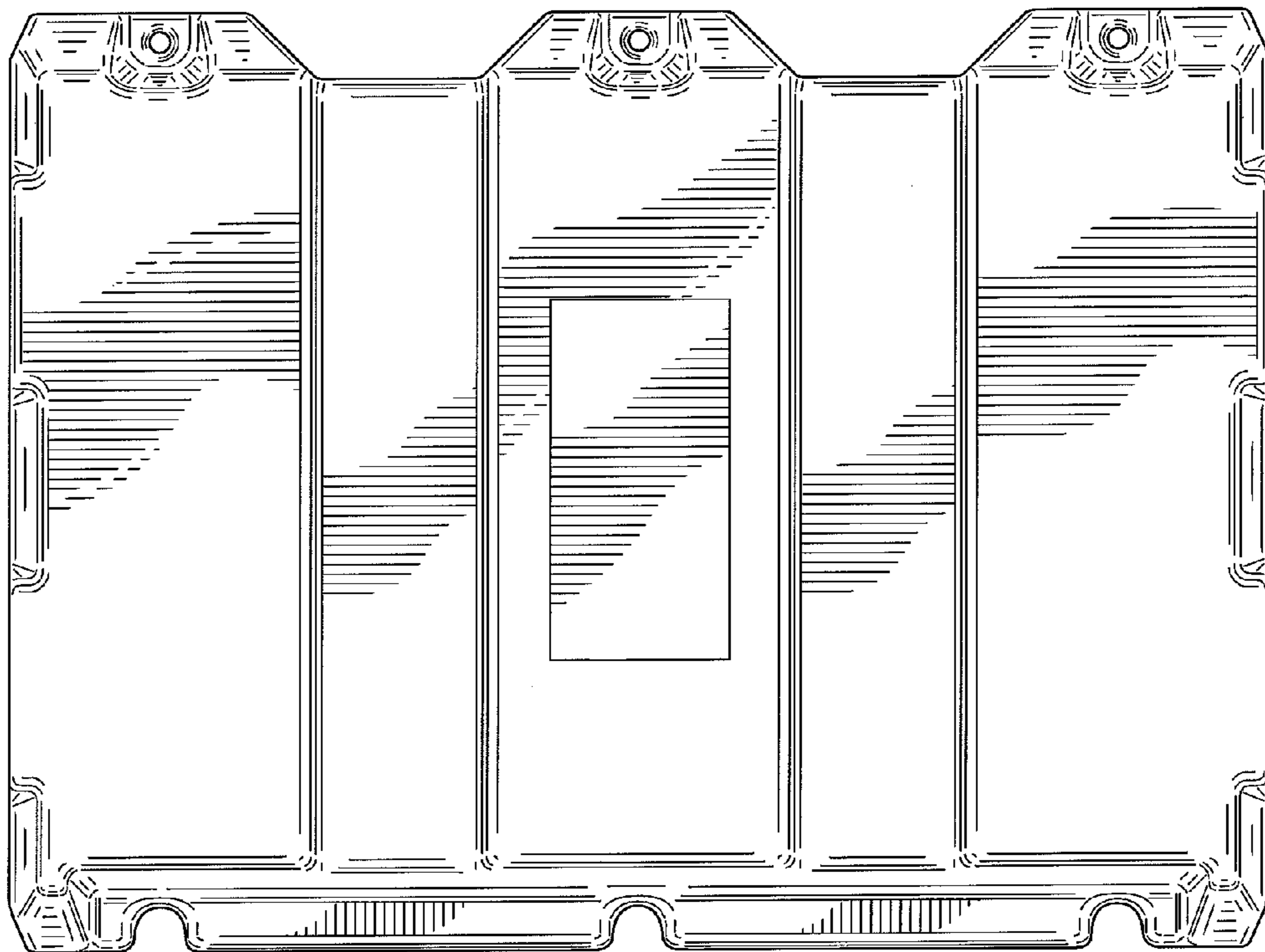


FIG. 2

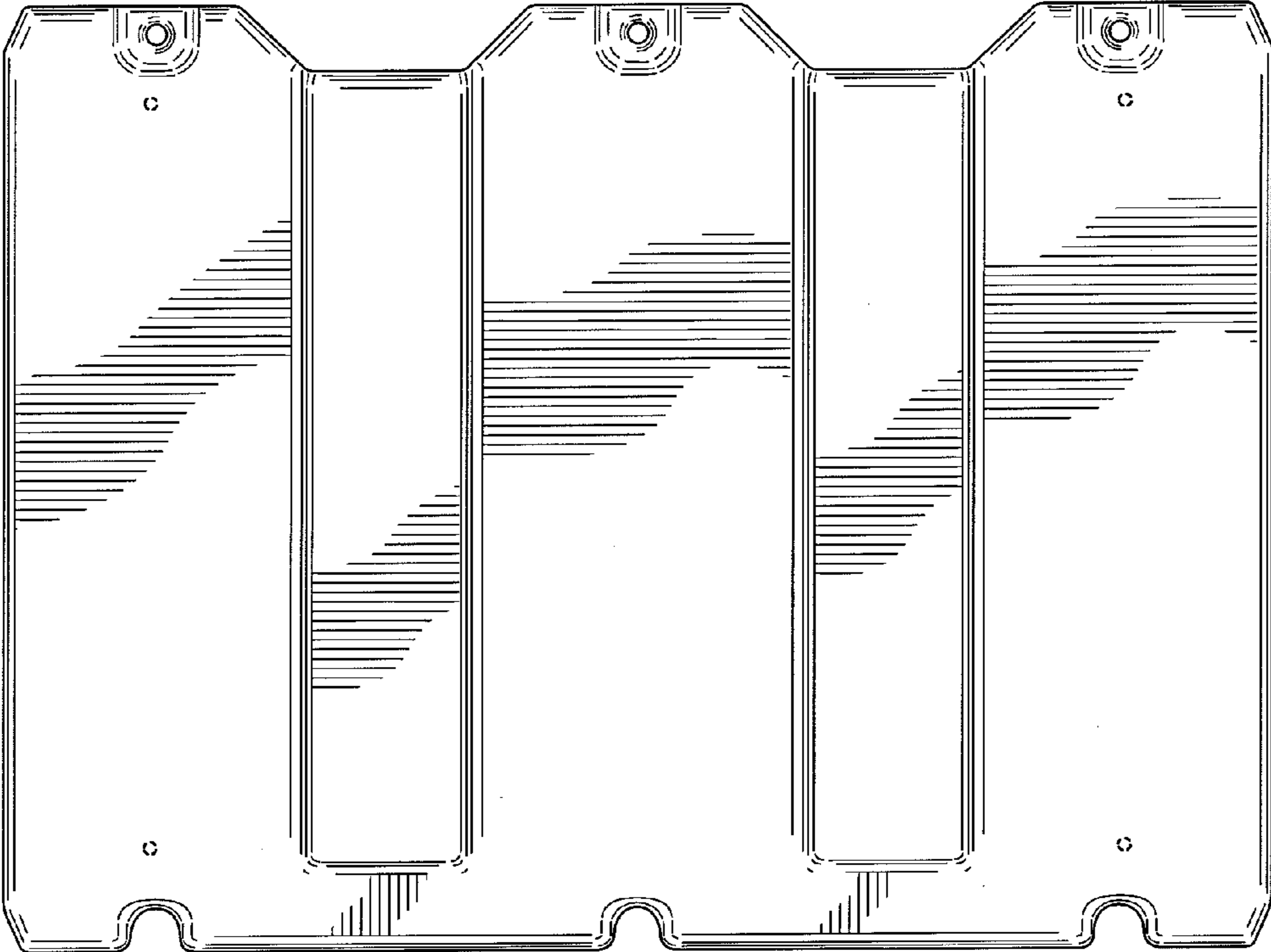


FIG. 3

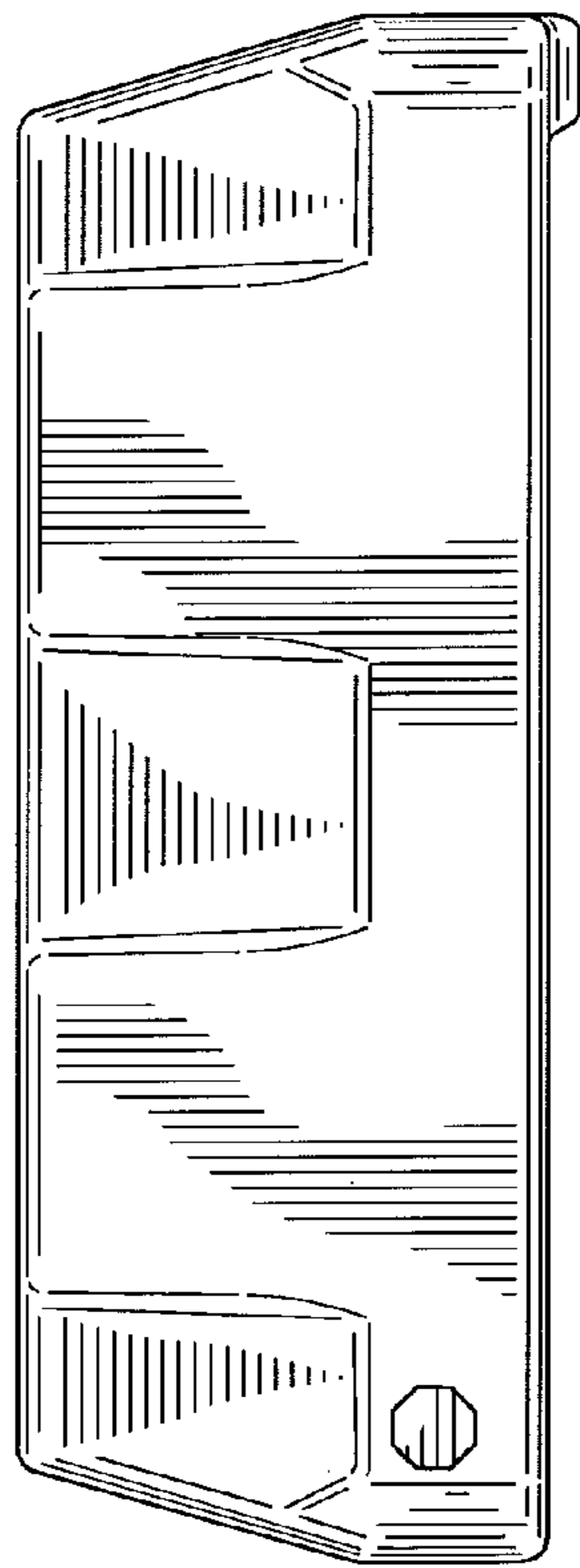


FIG. 4

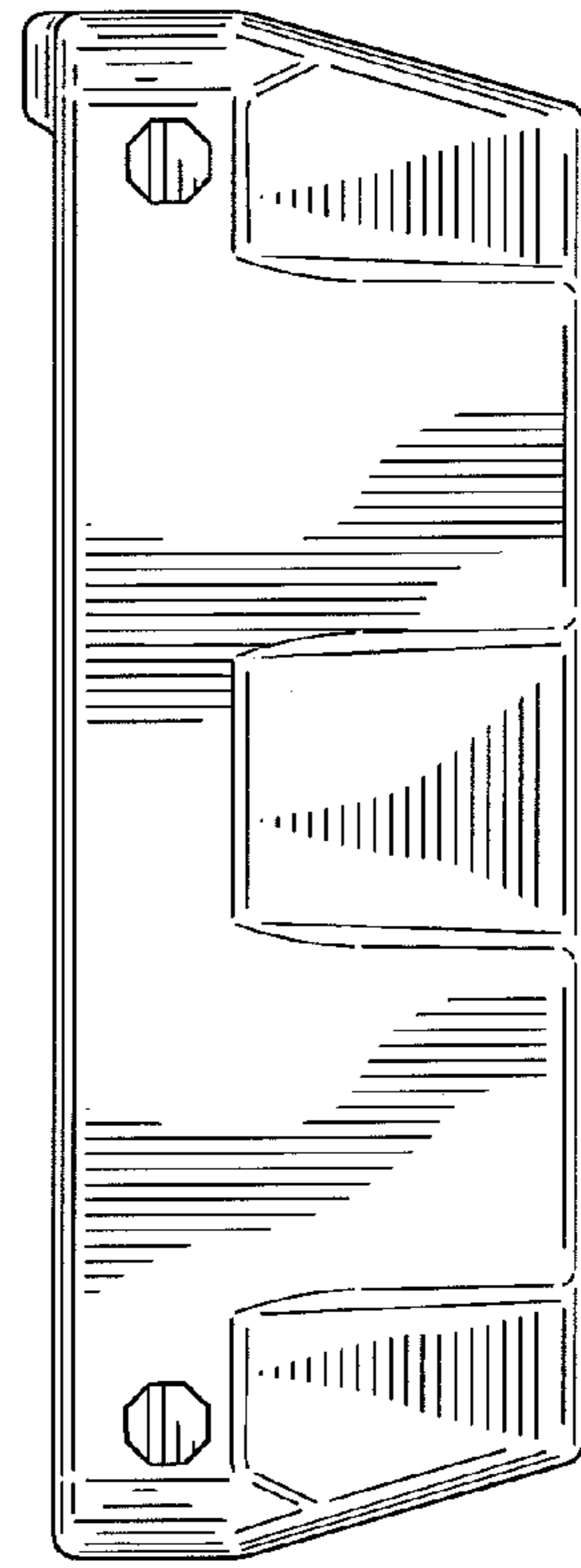


FIG. 5

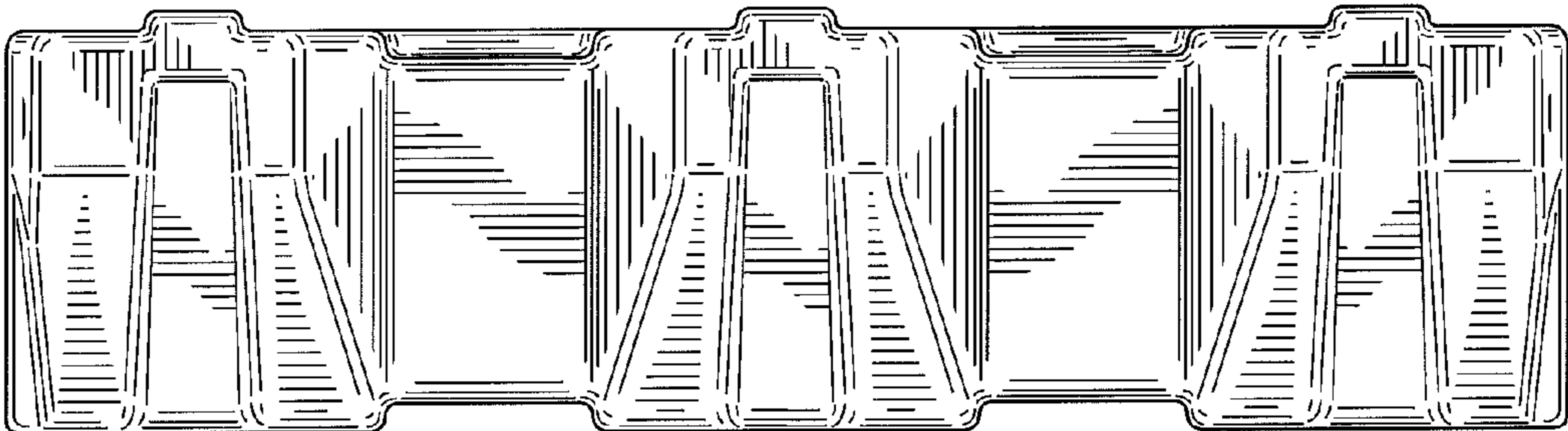


FIG. 6

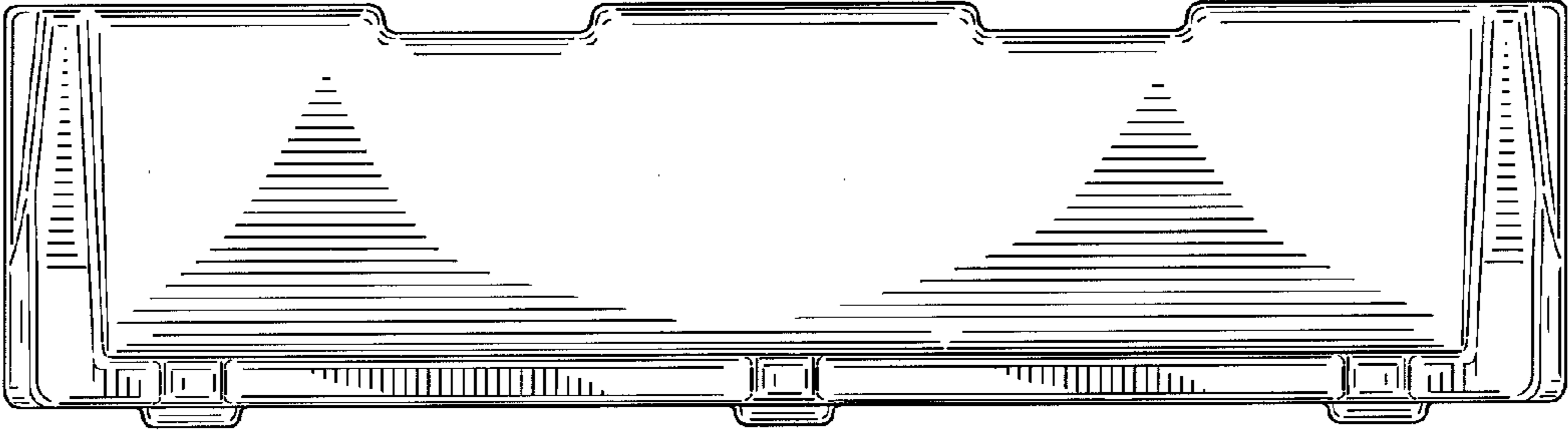


FIG. 7