



US00D714417S

(12) **United States Design Patent**
Lin

(10) **Patent No.:** **US D714,417 S**
(45) **Date of Patent:** **** Sep. 30, 2014**

(54) **FISHING ROD LINE GUIDE**

Primary Examiner — Catheri Oliver-Garcia

(71) Applicant: **Yi-Te Lin**, Tainan (TW)

(72) Inventor: **Yi-Te Lin**, Tainan (TW)

(**) Term: **14 Years**

(21) Appl. No.: **29/483,262**

(22) Filed: **Feb. 26, 2014**

(51) **LOC (10) Cl.** **22-05**

(52) **U.S. Cl.**
USPC **D22/143**

(58) **Field of Classification Search**
USPC D22/143, 137–138; 43/24–25
See application file for complete search history.

(56) **References Cited**

U.S. PATENT DOCUMENTS

D101,236	S	*	9/1936	Meyerson	D22/143
2,113,707	A	*	4/1938	Montgomery et al.	43/24
D581,009	S	*	11/2008	Lin	D22/143
D639,897	S	*	6/2011	Omura	D22/143

* cited by examiner

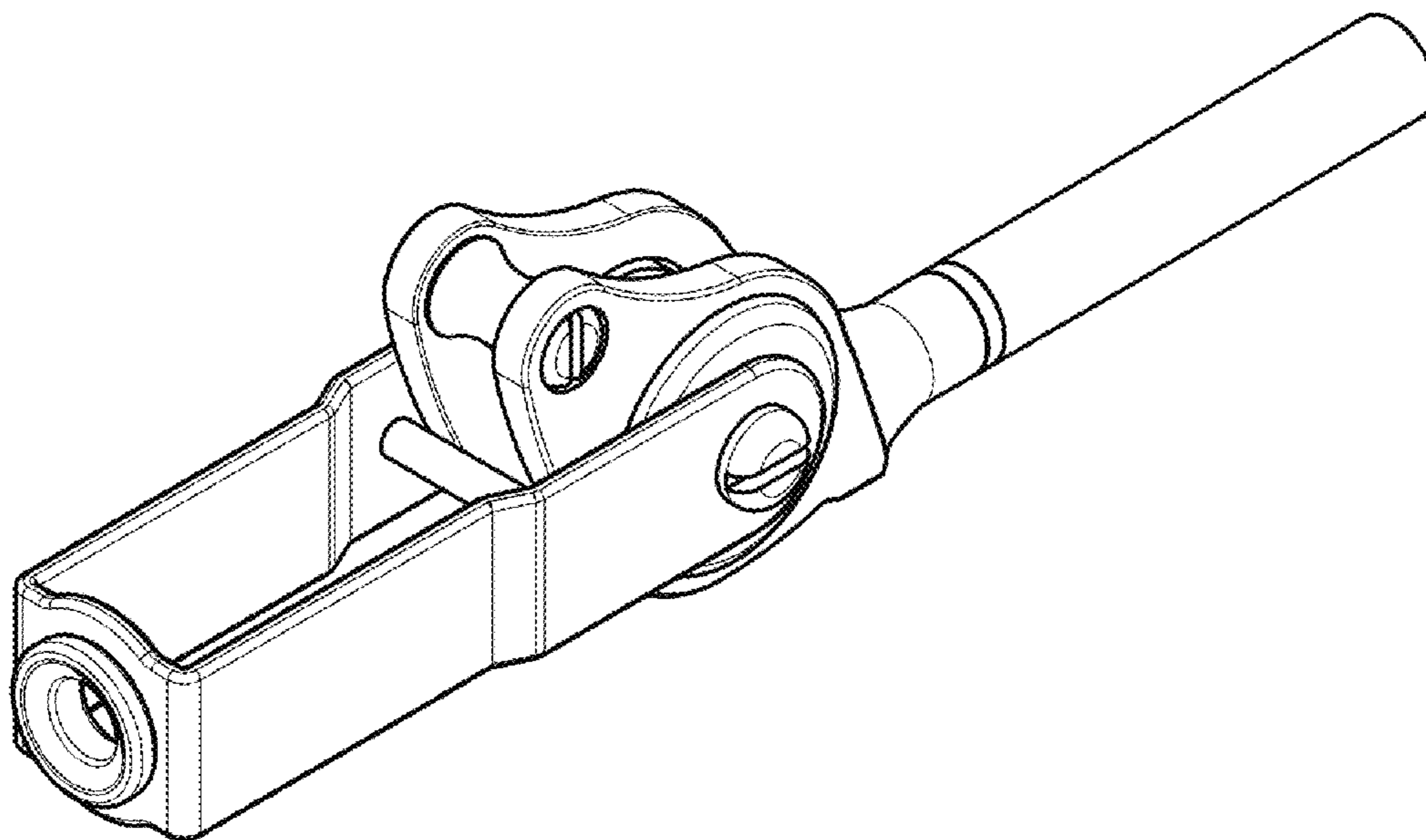
(57) **CLAIM**

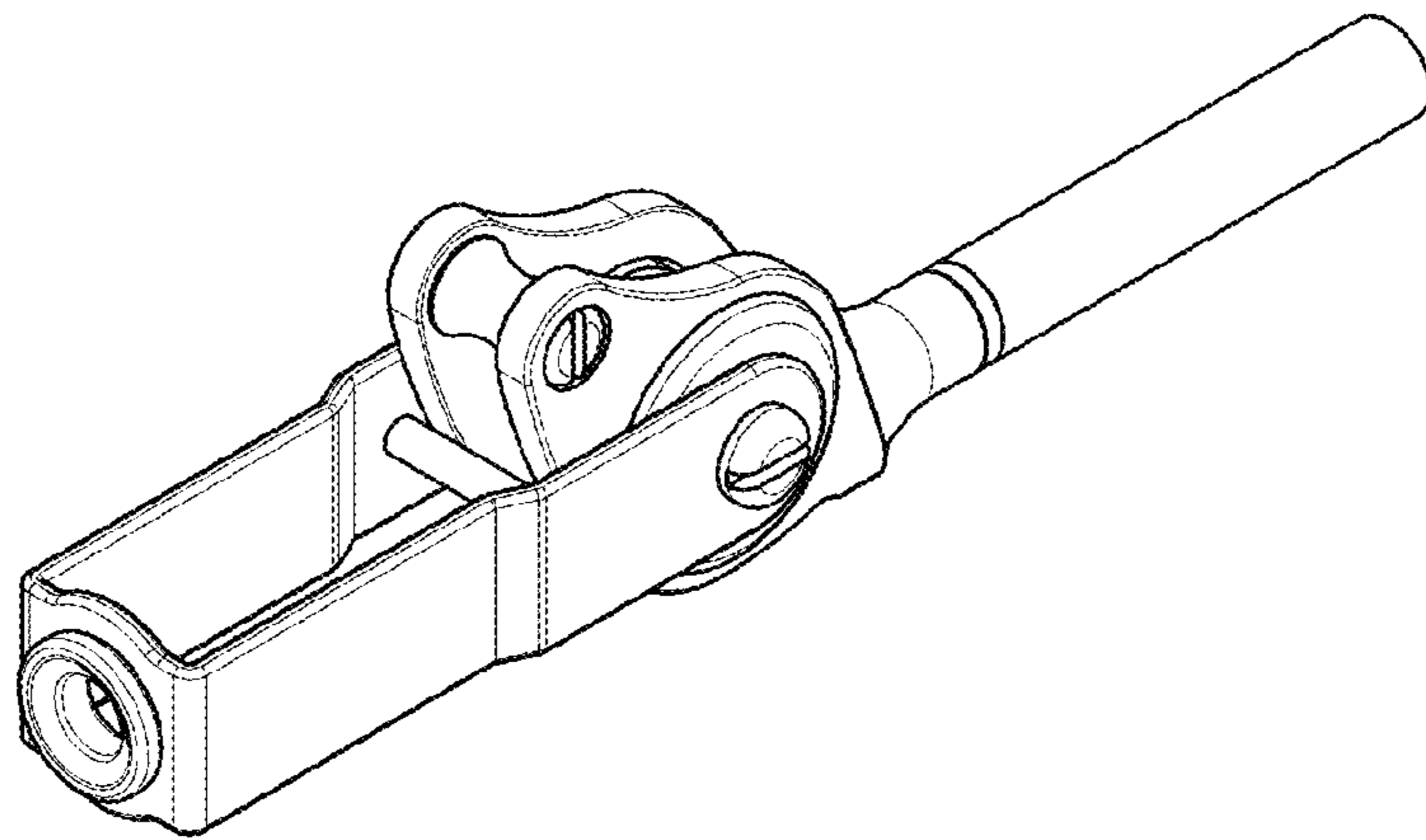
The ornamental design for the fishing rod line guide, as shown and described.

DESCRIPTION

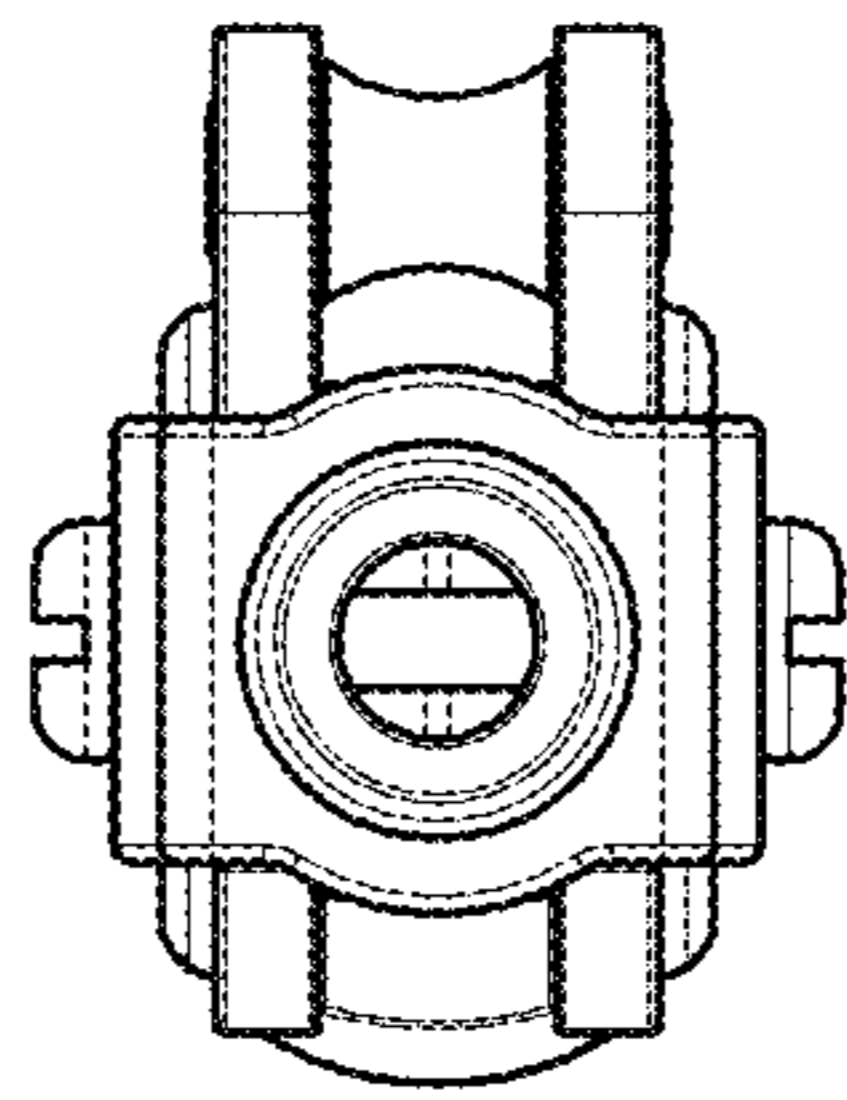
FIG. 1 is a perspective view of the fishing rod line guide showing my new design;
FIG. 2 is a front elevation view thereof;
FIG. 3 is a rear elevation view thereof;
FIG. 4 is a left side elevation view thereof;
FIG. 5 is a right side elevation view thereof;
FIG. 6 is a top plan view thereof;
FIG. 7 is a bottom plan view thereof; and,
FIG. 8 is another perspective view of the fishing rod line guide.

1 Claim, 8 Drawing Sheets

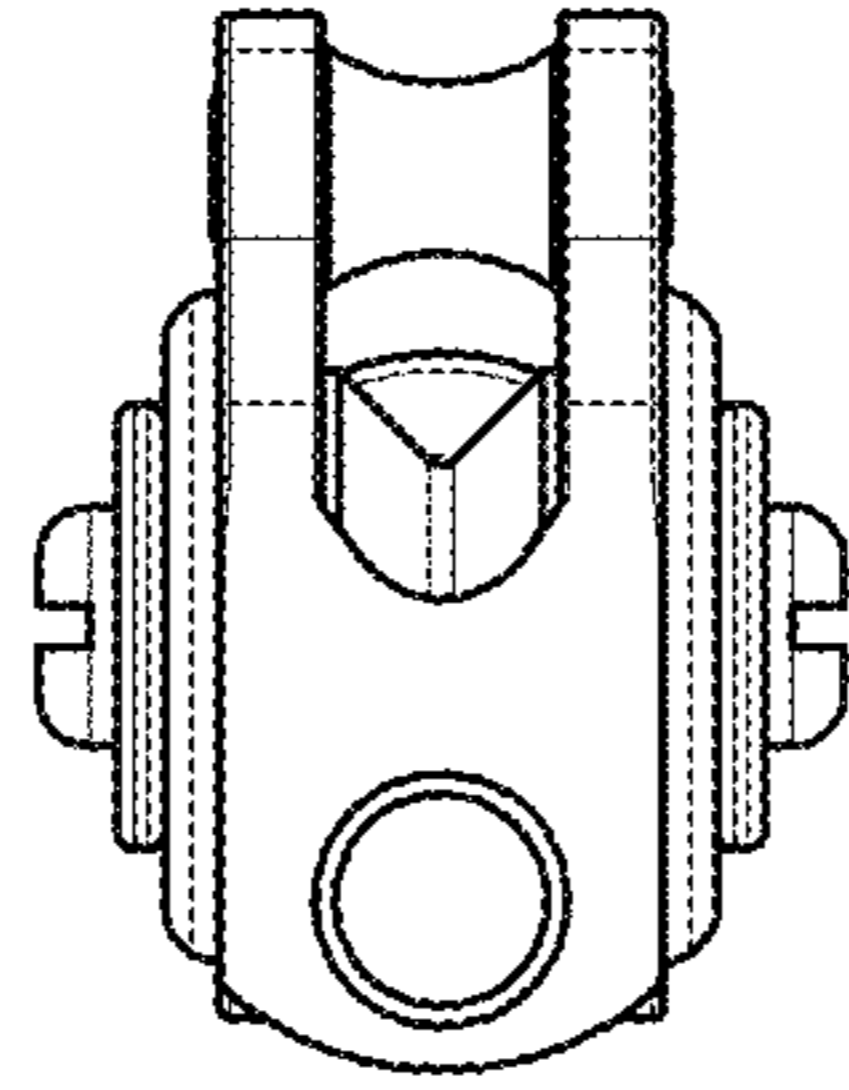




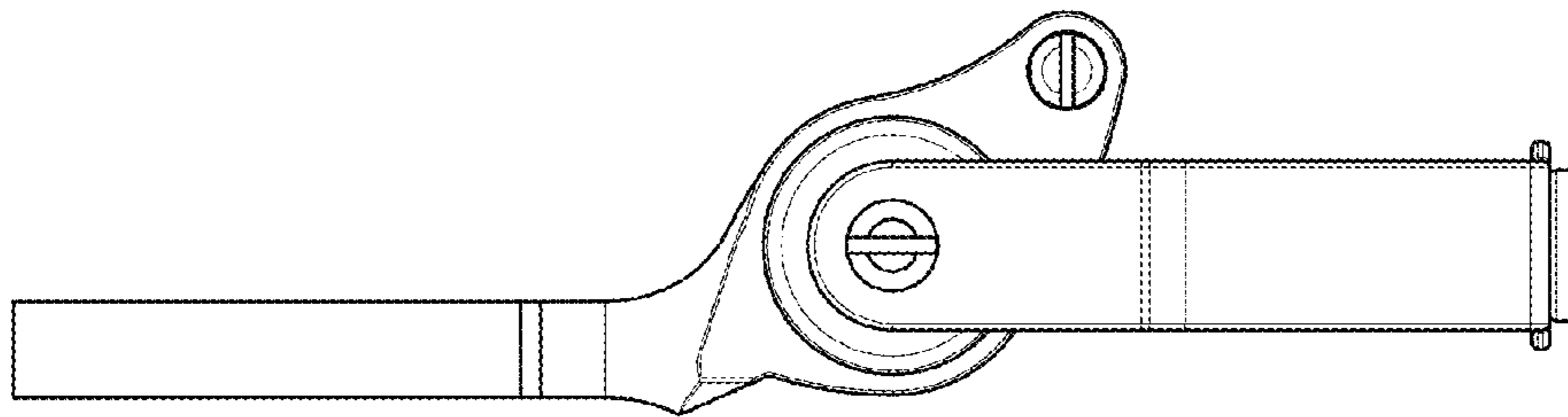
F I G . 1



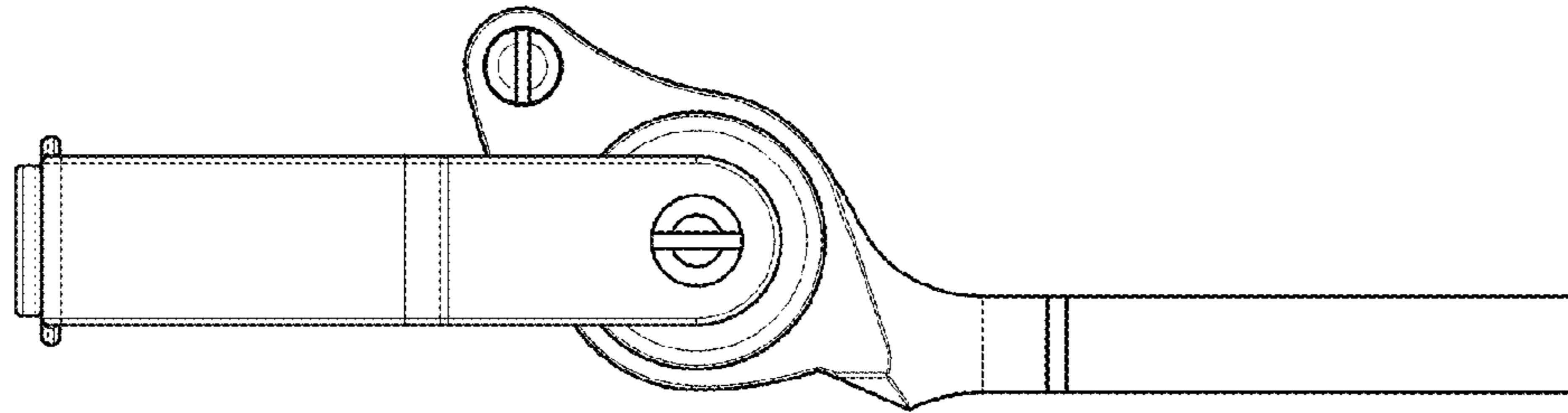
F I G . 2



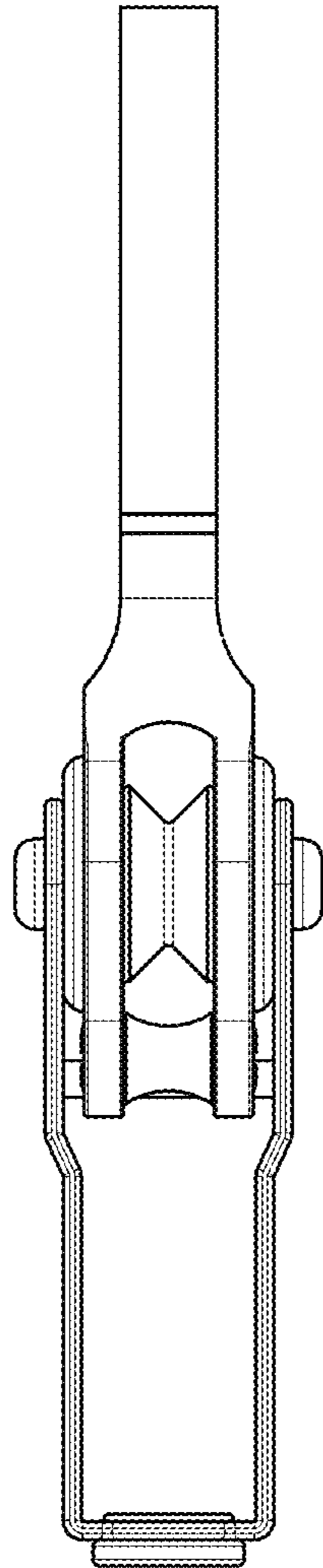
F I G . 3



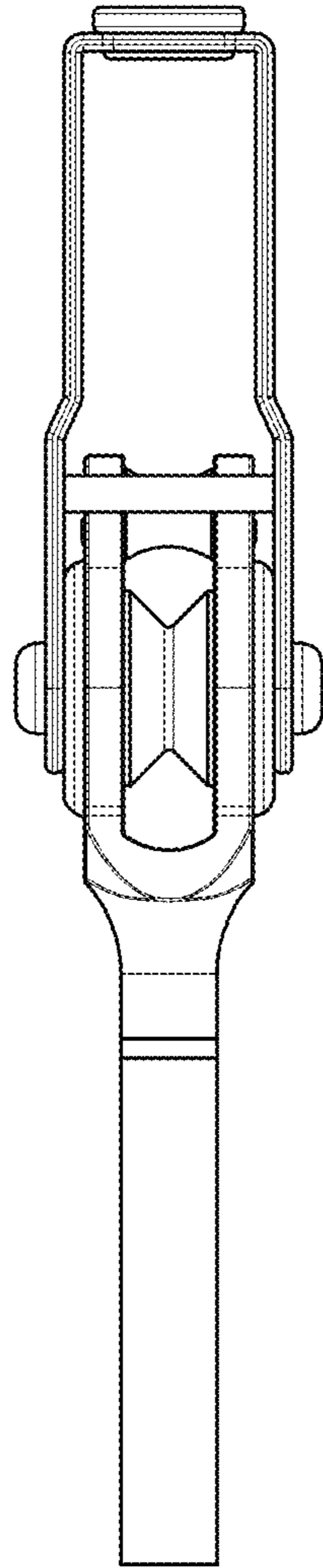
F I G . 4



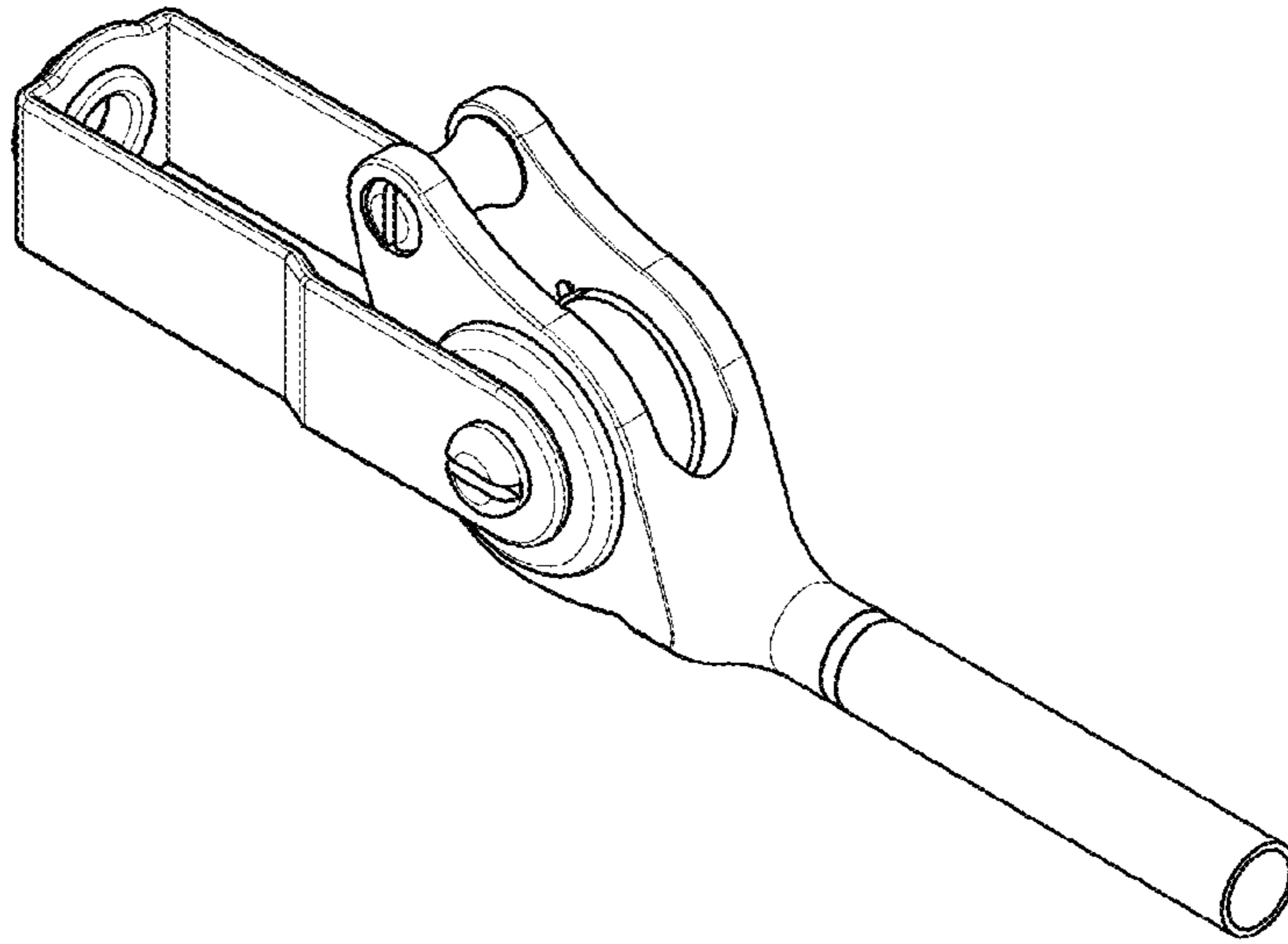
F I G . 5



F I G . 6



F I G . 7



F I G . 8