

US00D714416S

(12) **United States Design Patent**
Sehl et al.

(10) **Patent No.:** **US D714,416 S**

(45) **Date of Patent:** **** Sep. 30, 2014**

(54) **MOSQUITO TRAP IN THE SHAPE OF A BALL HAVING A TRUNCATED TOP AND BOTTOM**

D564,061 S * 3/2008 Studer et al. D22/122
D634,808 S * 3/2011 Tsai D22/122
D646,026 S * 9/2011 Zamarripa D30/110
D650,464 S * 12/2011 wi toslawski D22/122

(71) Applicant: **Michael Gaffney Sehl**, New Taipei (TW)

* cited by examiner

(72) Inventors: **Michael Gaffney Sehl**, Taipei (TW);
Don Barnes, Nashville, TN (US)

Primary Examiner — Catheri Oliver-Garcia

(**) Term: **14 Years**

(57) **CLAIM**

The ornamental design for a mosquito trap in the shape of a ball having a truncated top and bottom, as shown and described.

(21) Appl. No.: **29/463,340**

(22) Filed: **Oct. 22, 2013**

(51) **LOC (10) Cl.** **22-06**

(52) **U.S. Cl.**
USPC **D22/122**

(58) **Field of Classification Search**
USPC D22/119–124; 43/107, 112–115, 119,
43/122, 124, 131, 132.1; D30/110–111,
D30/115; D21/487–488, 714, 813
See application file for complete search history.

DESCRIPTION

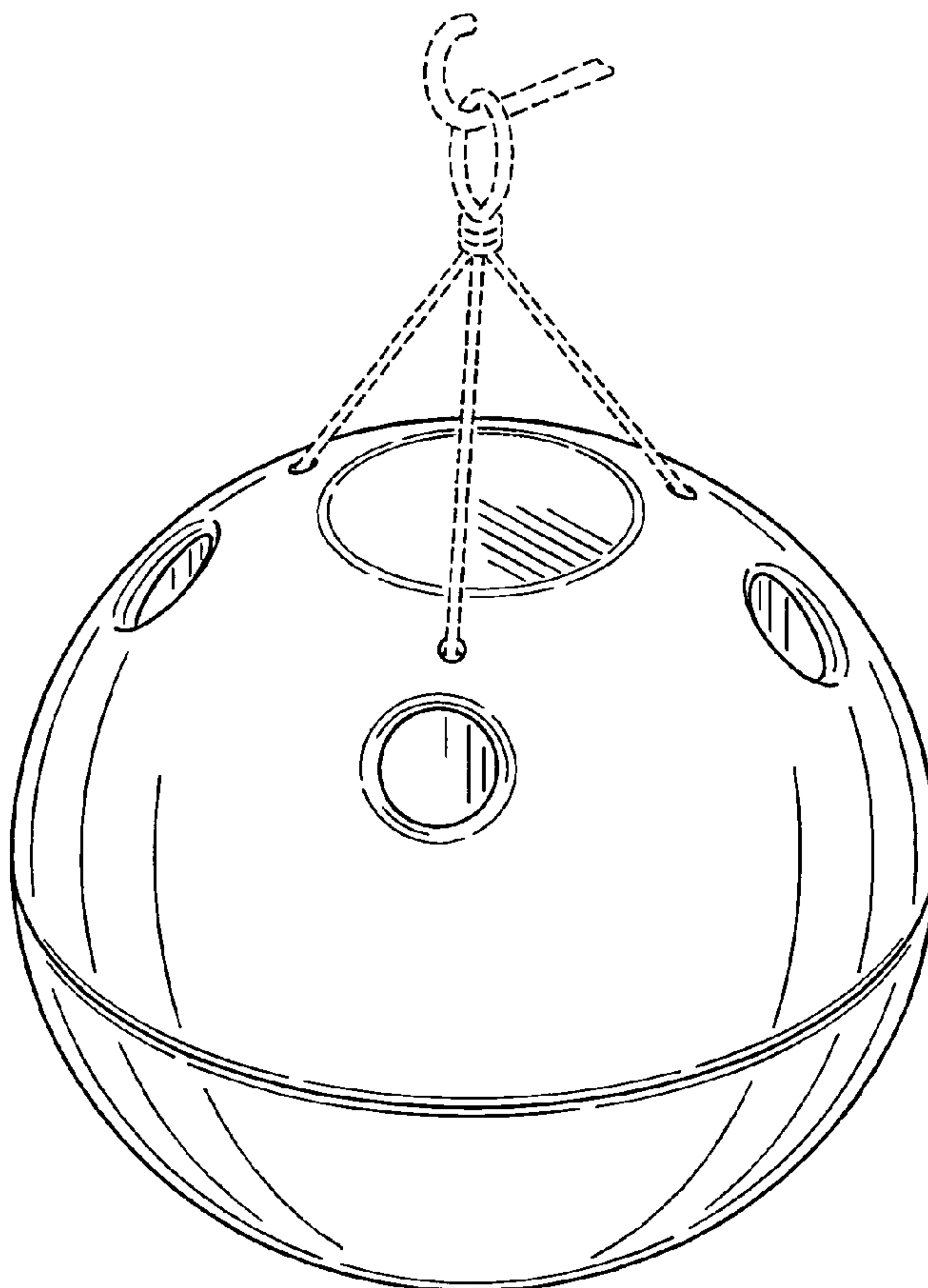
FIG. 1 is a front and top perspective view of the present invention;
FIG. 2 is a front view of the present invention;
FIG. 3 is a rear view of the present invention;
FIG. 4 is a left side view of the present invention (with the right side view being essentially the same in mirror image);
FIG. 5 is a top view of the present invention; and,
FIG. 6 is a bottom view of the present invention.
The broken line showing of environment in the drawings is included for the purpose of illustrating only and forms no part of the claimed design.

(56) **References Cited**

U.S. PATENT DOCUMENTS

1,666,785 A * 4/1928 March 43/122
1,685,241 A * 9/1928 Northrup 43/107

1 Claim, 3 Drawing Sheets



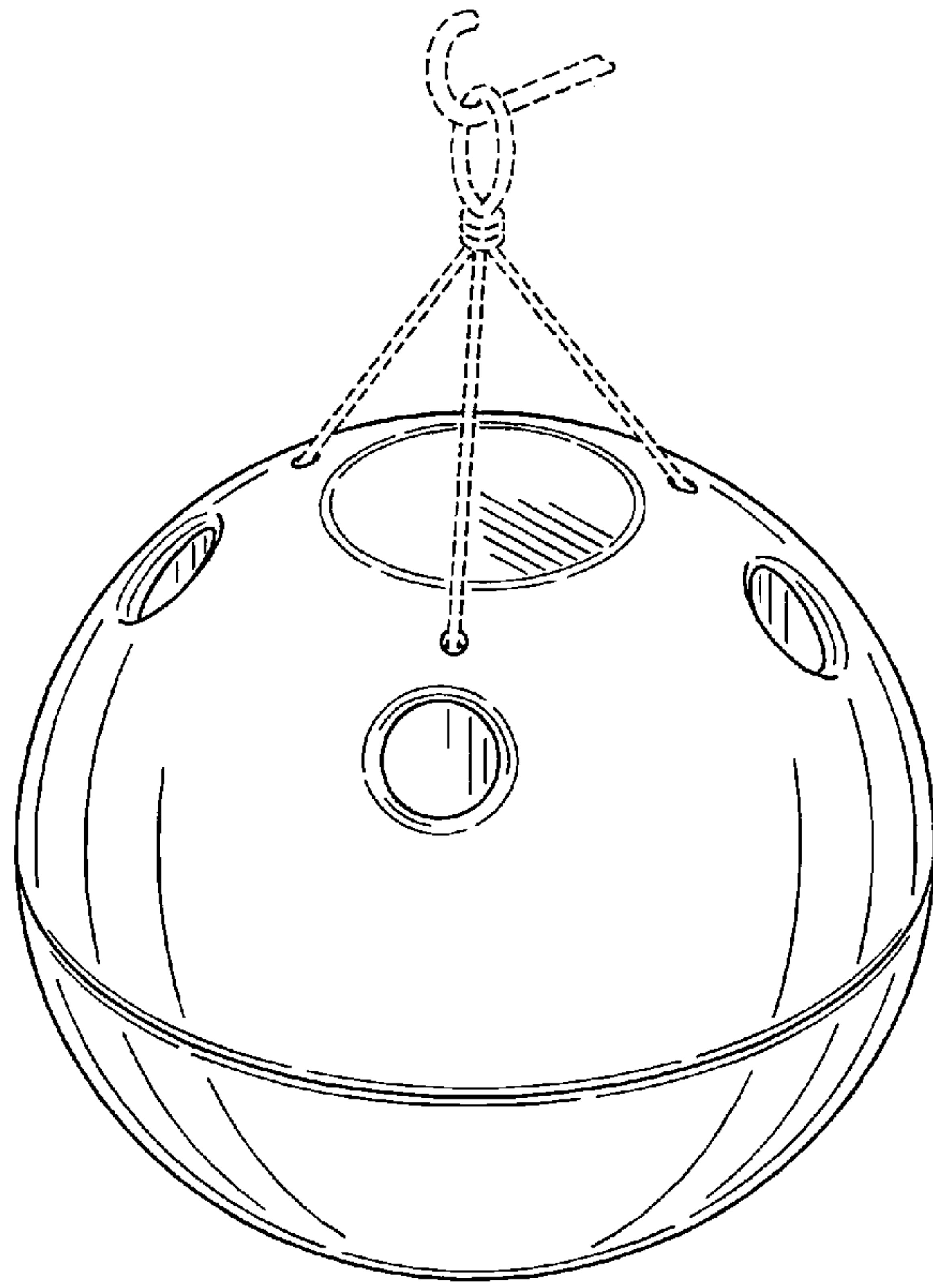


FIG. 1

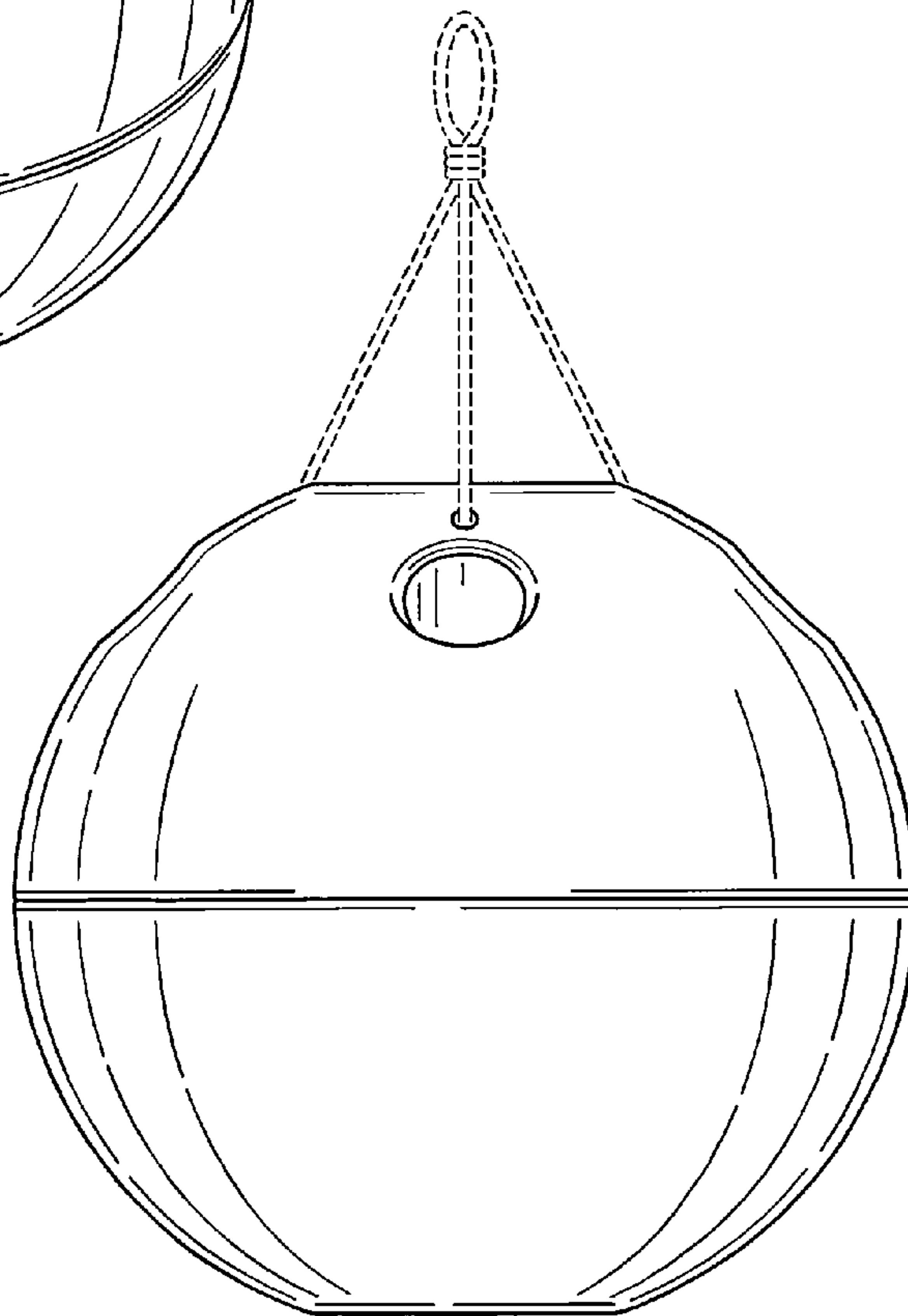


FIG. 2

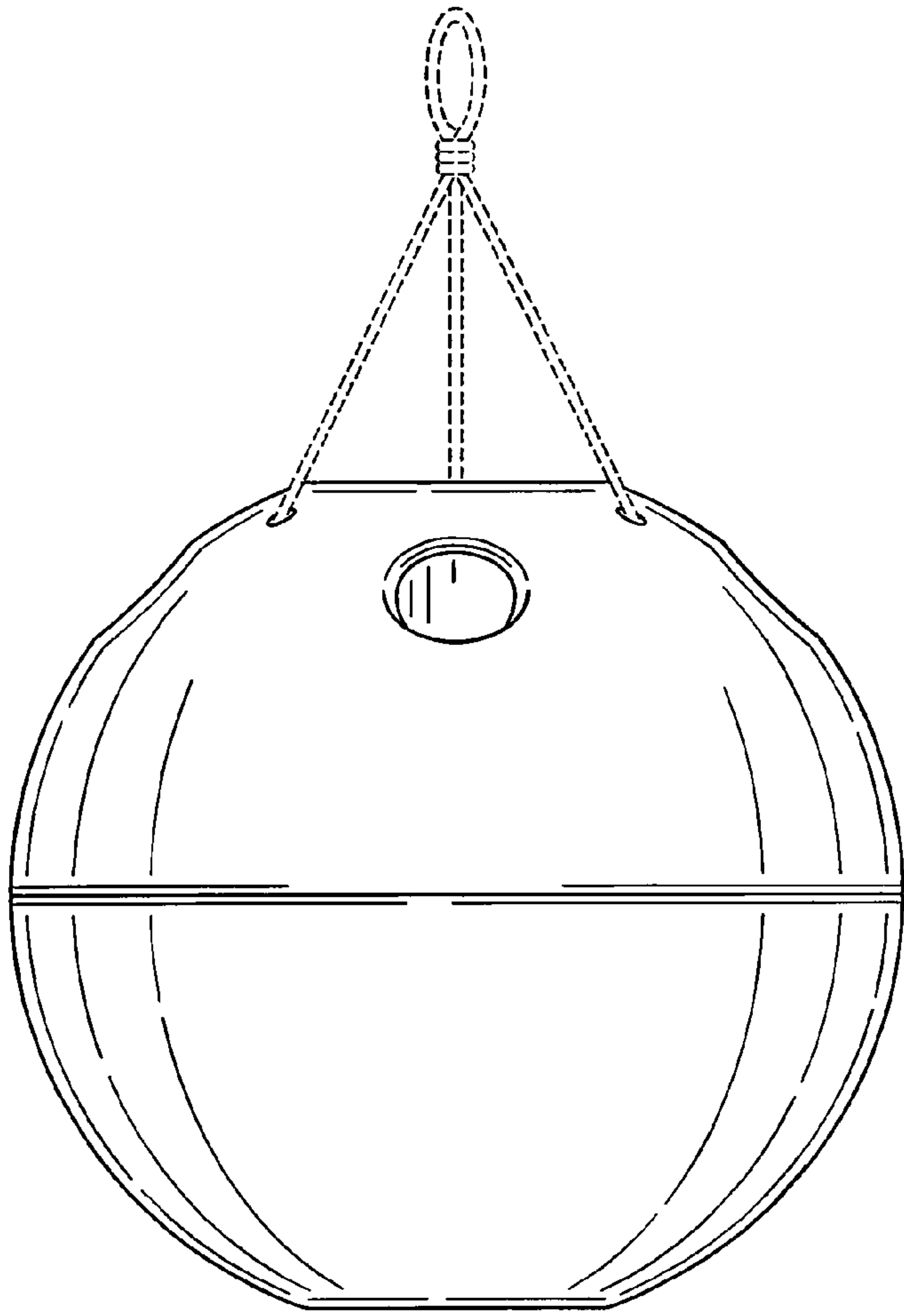


FIG. 3

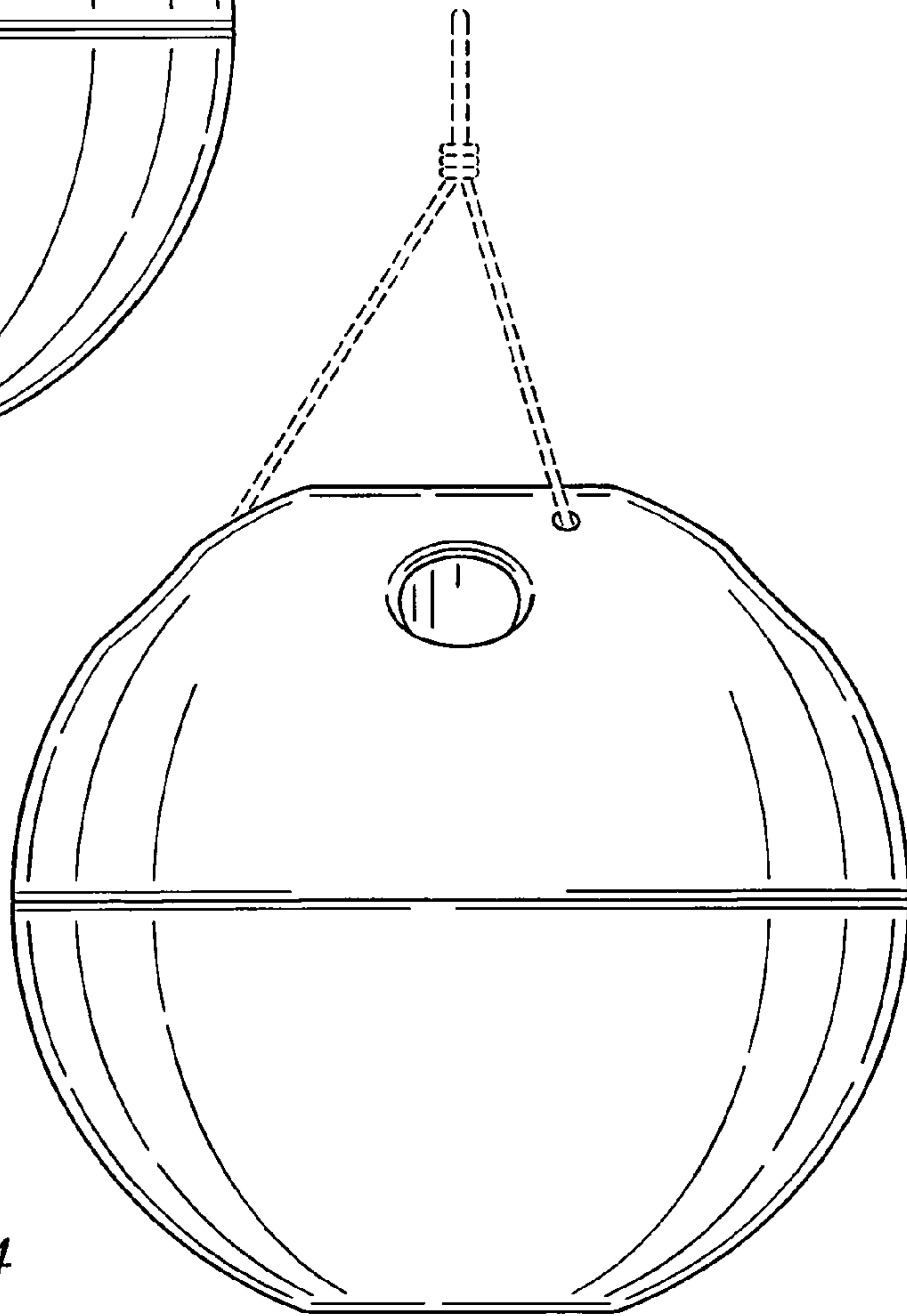


FIG. 4

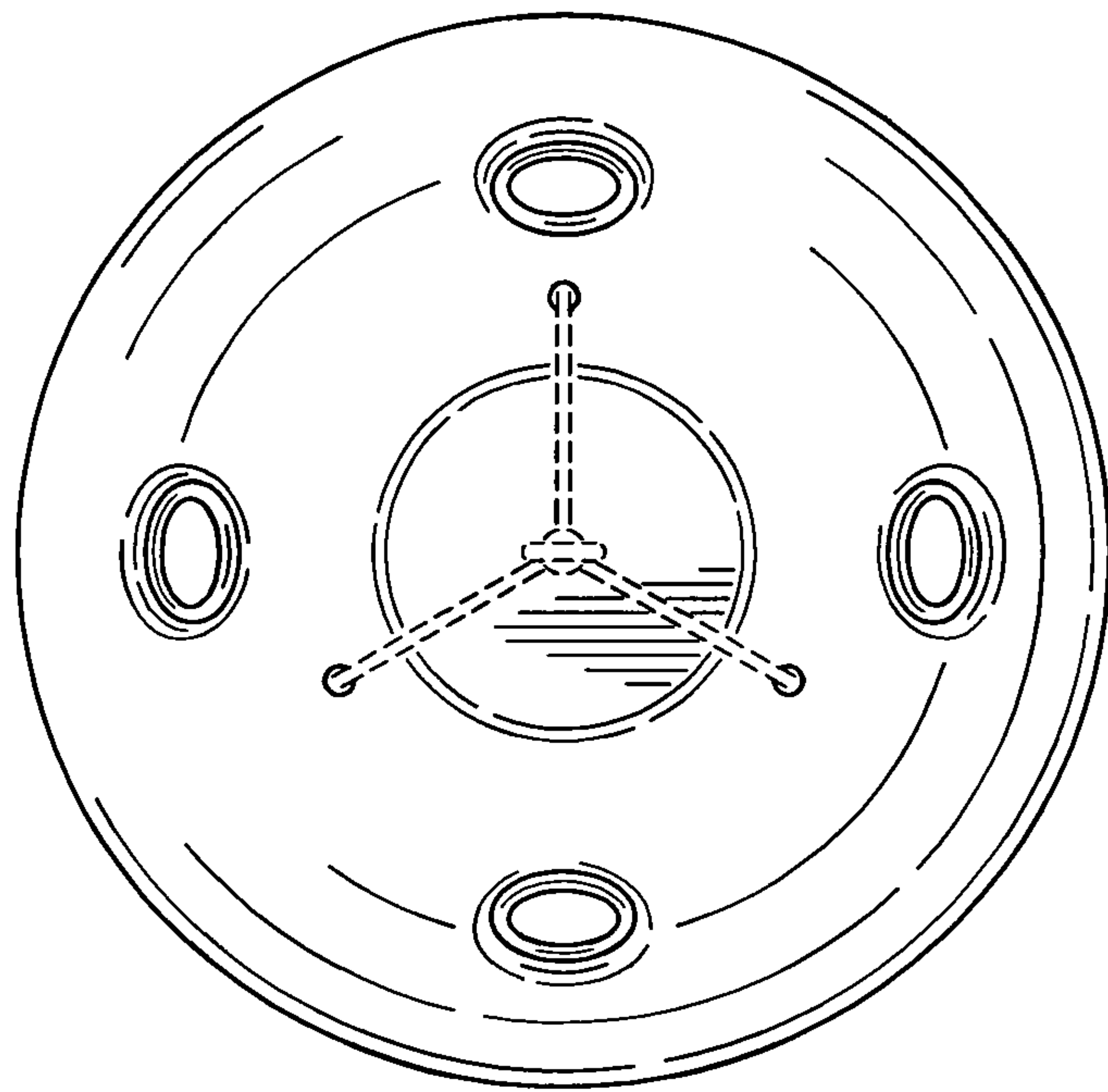


FIG. 5

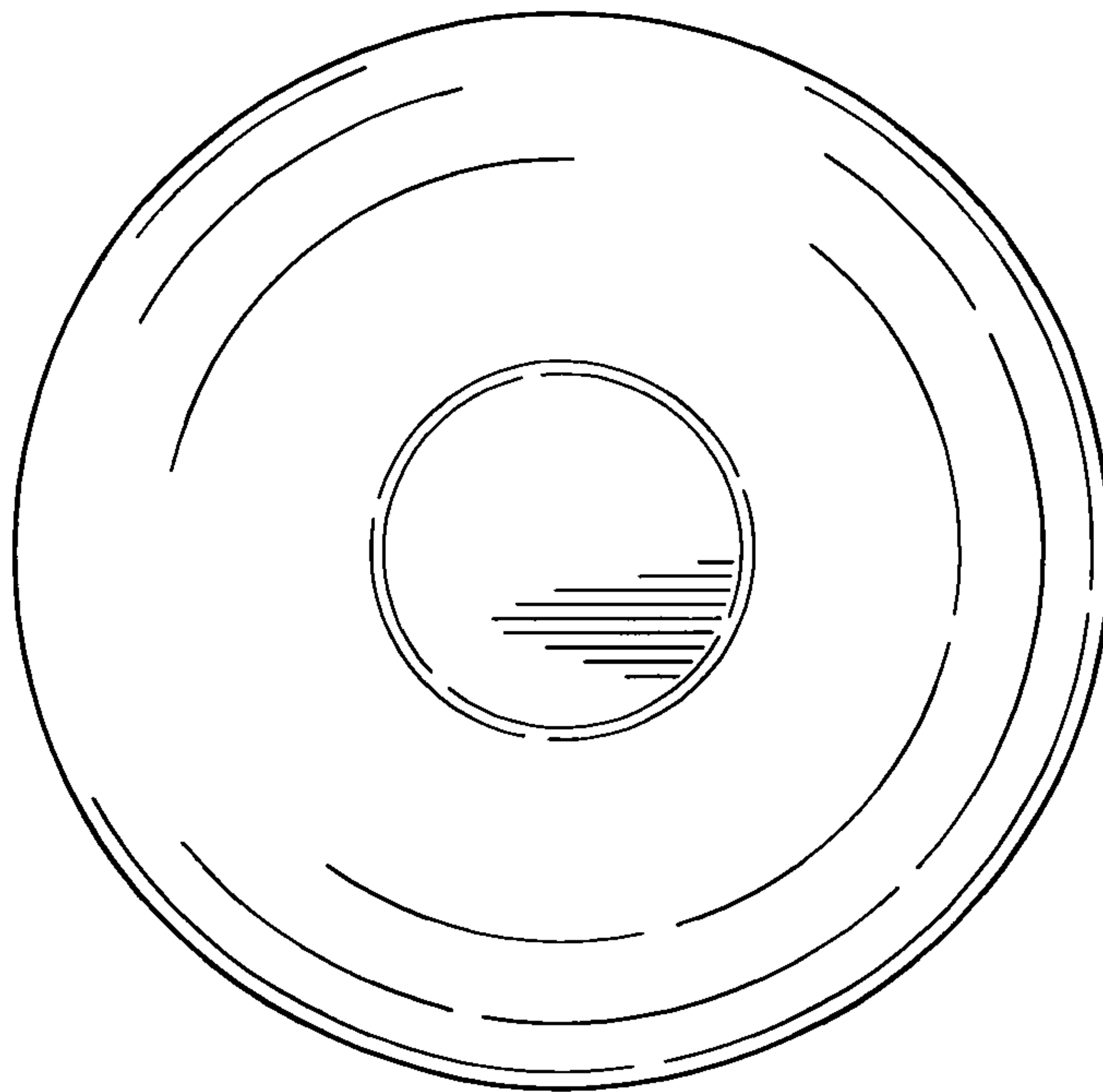


FIG. 6