



US00D714415S

(12) **United States Design Patent**  
**Wright, III**

(10) **Patent No.:** **US D714,415 S**

(45) **Date of Patent:** **\*\* Sep. 30, 2014**

(54) **ARCHERY BOW HOLDER FOR A TREE STAND**

(71) Applicant: **Bow Buddy Holdings, LLC**, St. Helen, MI (US)

(72) Inventor: **Ernest William Wright, III**, St. Helen, MI (US)

(73) Assignee: **Bow Buddy Holdings, LLC**, St. Helen, MI (US)

(\*\*) Term: **14 Years**

(21) Appl. No.: **29/454,461**

(22) Filed: **May 10, 2013**

(51) **LOC (10) Cl.** ..... **22-01**

(52) **U.S. Cl.**  
USPC ..... **D22/107**

(58) **Field of Classification Search**  
USPC ..... D22/107, 199; D6/552; 211/64;  
224/916; 124/23.1, 86  
See application file for complete search history.

(56) **References Cited**

**U.S. PATENT DOCUMENTS**

D299,199	S	*	1/1989	Rogowski	.....	D6/552
4,854,066	A	*	8/1989	Canterbury, Sr.	.....	42/94
5,240,211	A	*	8/1993	Anderson	.....	248/125.3
5,316,155	A	*	5/1994	Collins et al.	.....	211/70.5

5,377,657	A	*	1/1995	Foster et al.	.....	124/86
5,547,162	A	*	8/1996	Sobolewski et al.	.....	248/688
D375,644	S	*	11/1996	Foster et al.	.....	D6/552
D375,645	S	*	11/1996	Foster et al.	.....	D6/552
D422,333	S	*	4/2000	Foster et al.	.....	D22/107
6,131,556	A	*	10/2000	Villarreal	.....	124/86
6,663,059	B1	*	12/2003	Warren	.....	248/156
6,726,160	B1	*	4/2004	Buchanan, Jr.	.....	248/156
D676,515	S	*	2/2013	Mosteller	.....	D22/107
D700,942	S	*	3/2014	Smith et al.	.....	D22/108

\* cited by examiner

*Primary Examiner* — Michael A Pratt

(74) *Attorney, Agent, or Firm* — Harness, Dickey & Pierce, P.L.C.

(57) **CLAIM**

The ornamental design for an archery bow holder for a tree stand, as shown and described.

**DESCRIPTION**

FIG. 1 is a front elevation view, which is a mirror image of the rear view of an archery bow holder for a tree stand embodying my new design;

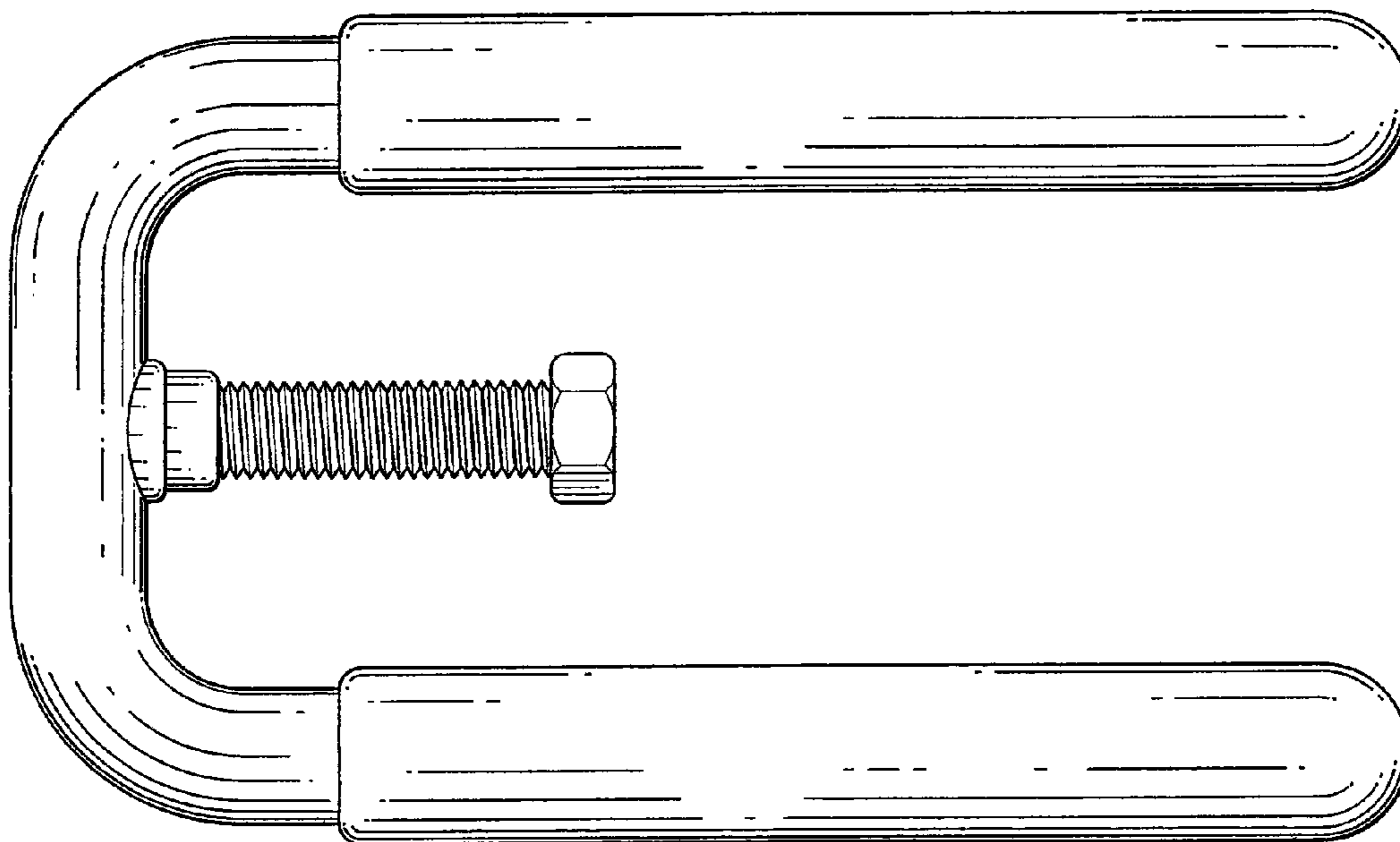
FIG. 2 is a side elevation view, which is a mirror image of the opposite side thereof;

FIG. 3 is a front end elevation view; and,

FIG. 4 is a back elevation view.

Any broken lines in the drawings are for illustrative purposes only and form no part of the claimed invention.

**1 Claim, 1 Drawing Sheet**



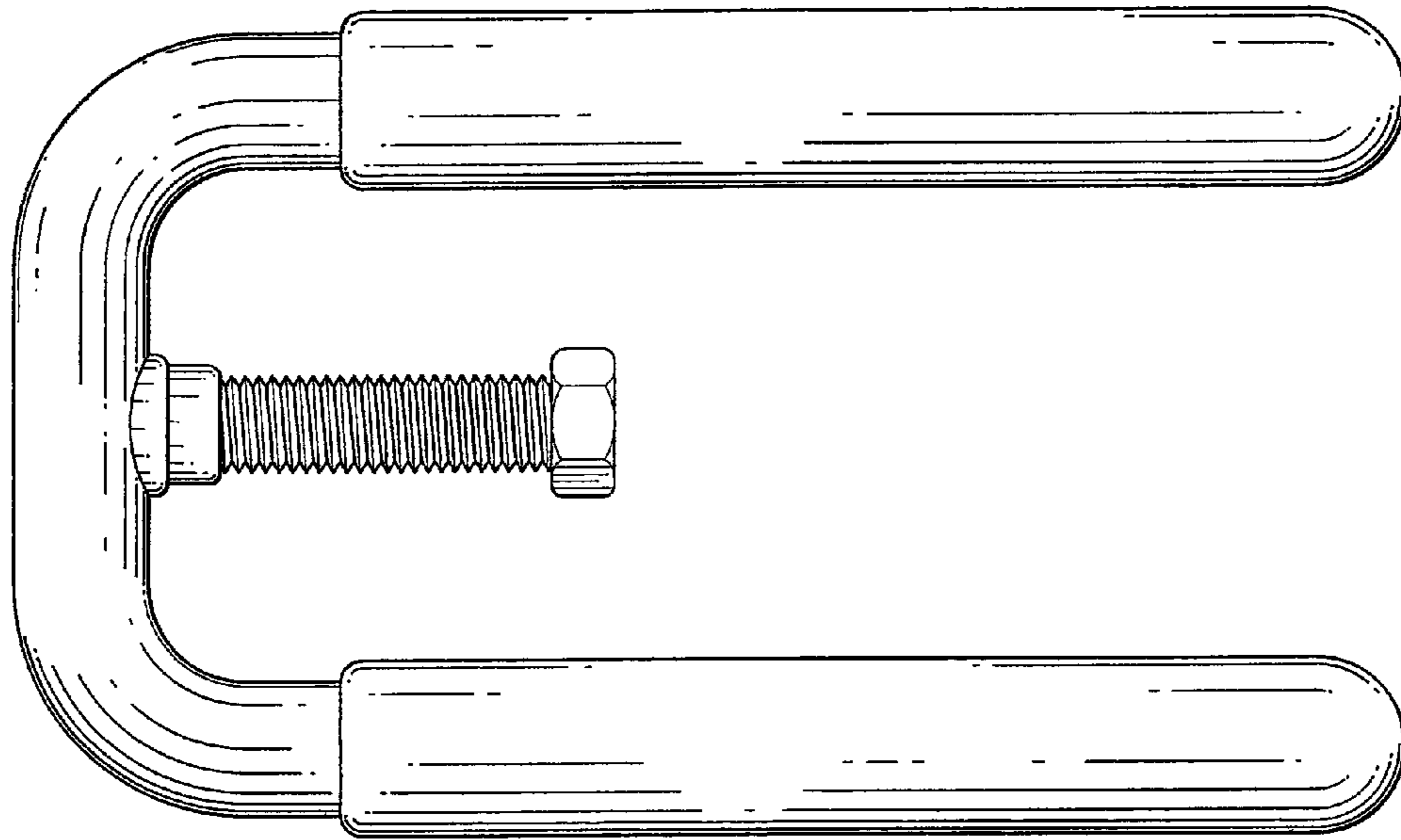


FIG. 1

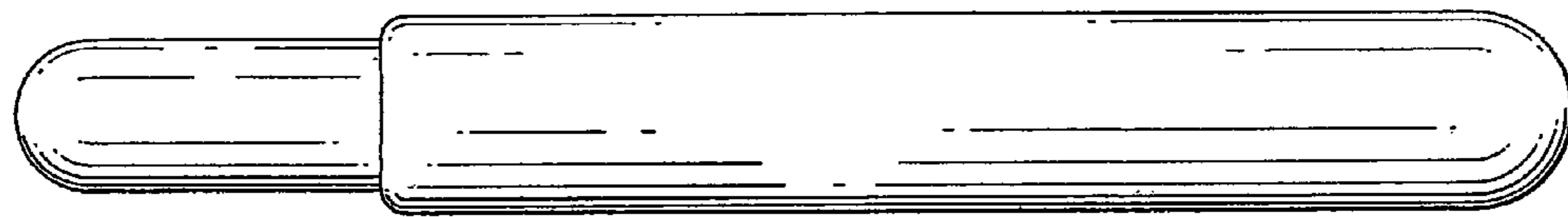


FIG. 2

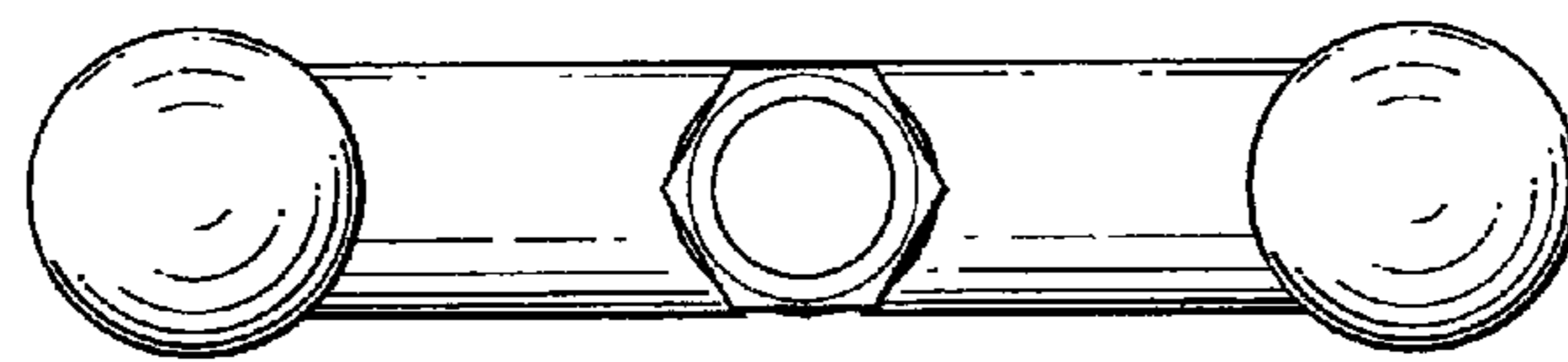


FIG. 3

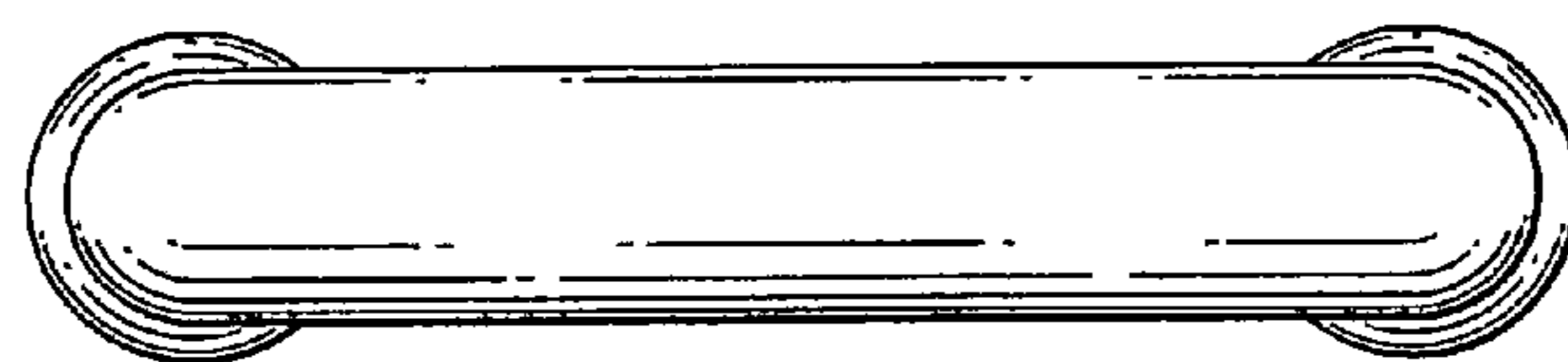


FIG. 4