



US00D714413S

(12) **United States Design Patent**
Kerbrat et al.

(10) **Patent No.:** **US D714,413 S**

(45) **Date of Patent:** **** Sep. 30, 2014**

(54) **FIREARM**

(74) *Attorney, Agent, or Firm* — Wiley Rein LLP

(71) Applicant: **Kriss Systems SA**, Nyon (CH)

(57) **CLAIM**

The ornamental design for a firearm, as shown and described.

(72) Inventors: **Renaud Kerbrat**, Gland (CH); **Antoine Robert**, Morges (CH); **Jan Henrik Jebsen**, Crans-Pres-Celigny (CH)

DESCRIPTION

(73) Assignee: **Kriss Systems SA**, Nyon (CH)

FIG. 1 is a side perspective of a firearm according to the novel design.

(**) Term: **14 Years**

FIG. 2 is a side perspective of a firearm according to the novel design.

(21) Appl. No.: **29/443,160**

FIG. 3 is a side elevational perspective of a firearm according to a novel design.

(22) Filed: **Jan. 14, 2013**

FIG. 4 is a side elevational perspective of a firearm according to the novel design.

(51) **LOC (10) Cl.** **22-01**

FIG. 5 is a top perspective of a firearm according to the novel design.

(52) **U.S. Cl.**

USPC **D22/104**

FIG. 6 is a bottom perspective of a firearm according to the novel design.

(58) **Field of Classification Search**

USPC D22/103, 104, 108; 42/1.01–1.07, 2, 42/10–26, 34, 36, 37, DIG. 1; 89/40.06, 89/41.19, 37.04, 33.04, 191.01, 200–204; D21/572–575; 124/67, 66, 72, 74

FIG. 7 is a front perspective of a firearm according to the novel design.

See application file for complete search history.

FIG. 8 is a back perspective of a firearm according to the novel design.

(56) **References Cited**

U.S. PATENT DOCUMENTS

2,057,169 A	10/1936	Swenson	
2,424,194 A	7/1947	Sampson et al.	
2,539,554 A *	1/1951	Sampson et al.	42/69.02
D206,669 S	1/1967	Hirsch	

(Continued)

OTHER PUBLICATIONS

Attached PDF File Kriss 2.pdf image capture of Youtube Video uploaded on Oct. 22, 2007. At URL:<http://www.youtube.com/watch?v=vHrsQriJb5c>—Found Feb. 8, 2011.

(Continued)

FIG. 9 and FIG. 10 are side perspective views of the rear stock of the firearm according to the novel design.

FIG. 11 is a close-up side perspective of a firearm according to the novel design.

FIG. 12 is a close-up side perspective of a grip of a firearm according to the novel design.

FIG. 13 is a close-up elevational perspective of a firearm according to the novel design.

FIG. 14 is close-up side perspective of a firearm according to the novel design.

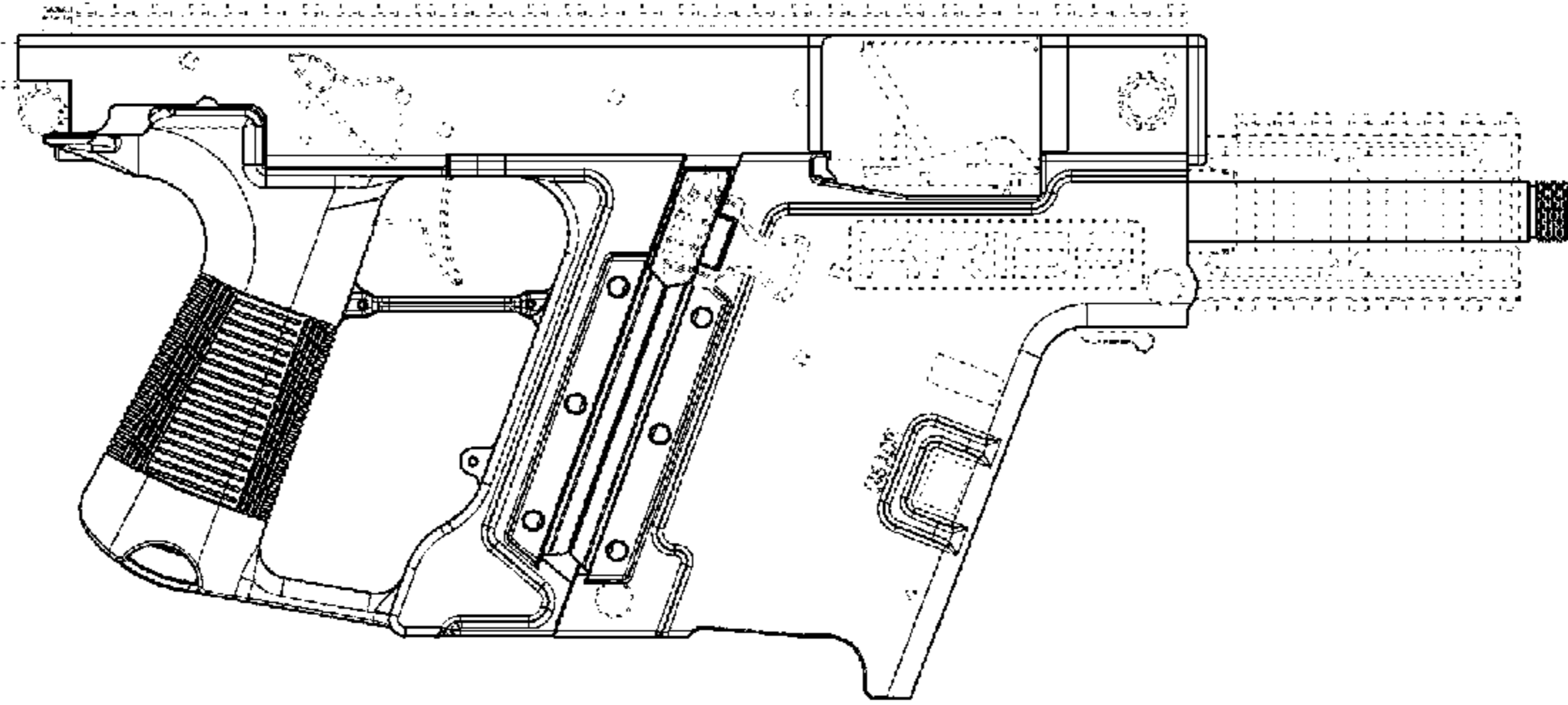
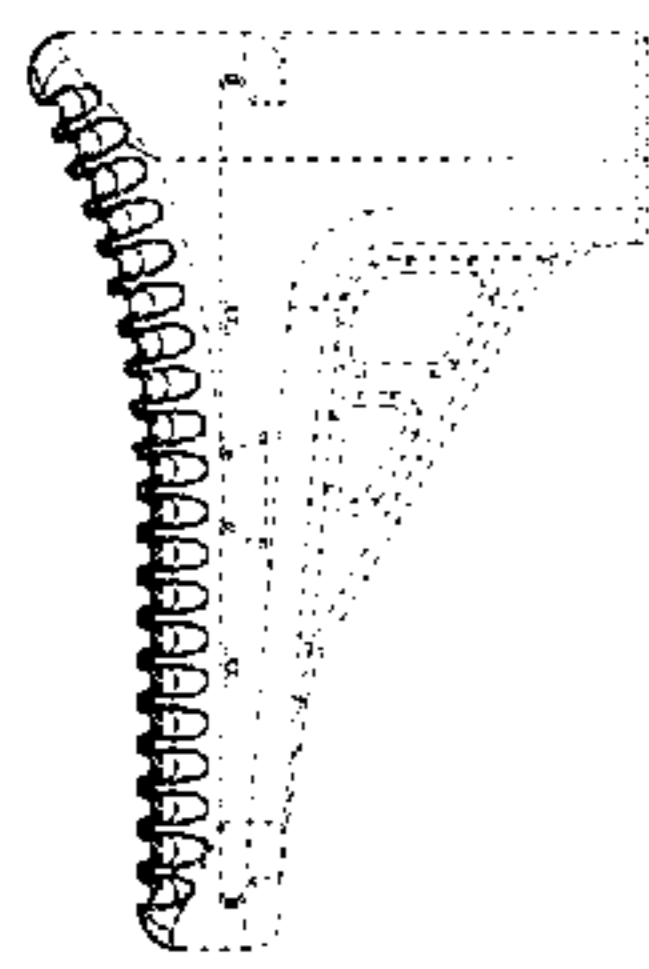
FIG. 15 is a close-up barrel of the exemplary firearm incorporating the novel design together with some of the environment or background as depicted in the drawings.

Any written matter appearing in the Figures is disclaimed and does not form a part of the novel design.

The broken lines included in the drawings depict elements that are not part of the claimed design.

Primary Examiner — Michael A Pratt

1 Claim, 11 Drawing Sheets



(56)

References Cited

U.S. PATENT DOCUMENTS

D212,220	S	9/1968	Crouch	
3,748,961	A	7/1973	Perrine	
D251,979	S	5/1979	Hance	
4,523,510	A *	6/1985	Wilhelm	89/141
4,567,810	A *	2/1986	Preston	89/142
D285,234	S	8/1986	Swearngen et al.	
4,735,007	A	4/1988	Gal	
D296,810	S	7/1988	Geiser, Jr.	
D303,418	S	9/1989	Miller et al.	
4,932,148	A	6/1990	Barrett	
4,967,642	A	11/1990	Mihaita	
D369,639	S	5/1996	Predazzer	
5,622,000	A *	4/1997	Marlowe	42/117
D400,954	S	11/1998	Ealovega	
D403,042	S	12/1998	Kozlovitz	
5,900,577	A	5/1999	Robinson et al.	
D443,912	S	6/2001	Henderson	
D510,401	S	10/2005	Murello et al.	

7,201,094	B2	4/2007	Jebsen
D547,818	S	7/2007	Wolfe
7,418,797	B1	9/2008	Croze
7,493,721	B2	2/2009	Swan
7,997,183	B2	8/2011	Jebsen
2007/0199435	A1	8/2007	Hochstrate et al.
2008/0155874	A1	7/2008	Jebsen et al.
2010/0077643	A1	4/2010	Kerbrat et al.
2011/0030258	A1	2/2011	Fistikchi et al.
2012/0260791	A1	10/2012	Kerbrat et al.

OTHER PUBLICATIONS

Attached PDF File Kriss 3.pdf image capture of Youtube Video uploaded on Oct. 26, 2007. At URL:<http://www.youtube.com/watch?v=COZd55AsIUM>—Found Feb. 8, 2011.

Attached PDF File Kriss 4.pdf image capture of Youtube Video uploaded on Oct. 26, 2007. At URL:<http://www.youtube.com/watch?v=OAAFDIWnyUg>—Found Feb. 8, 2011.

* cited by examiner

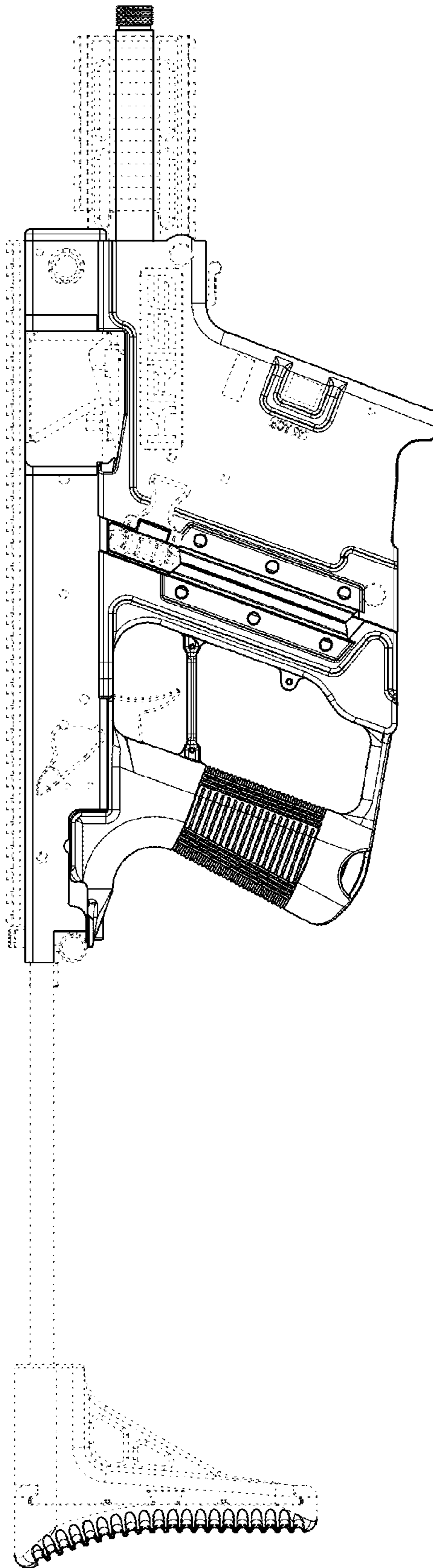


FIG. 1

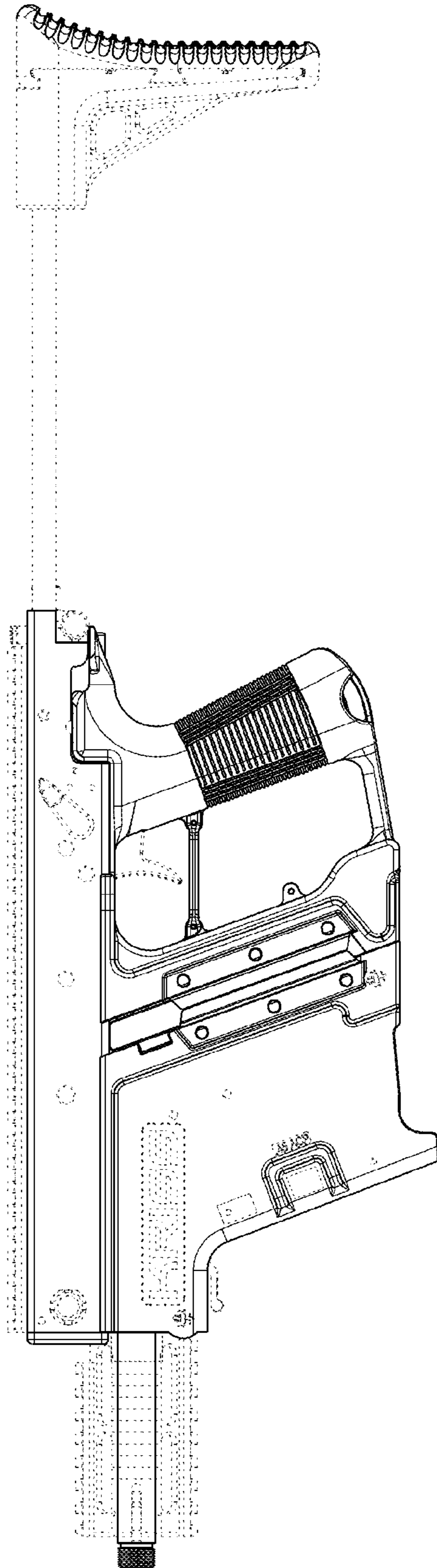


FIG. 2

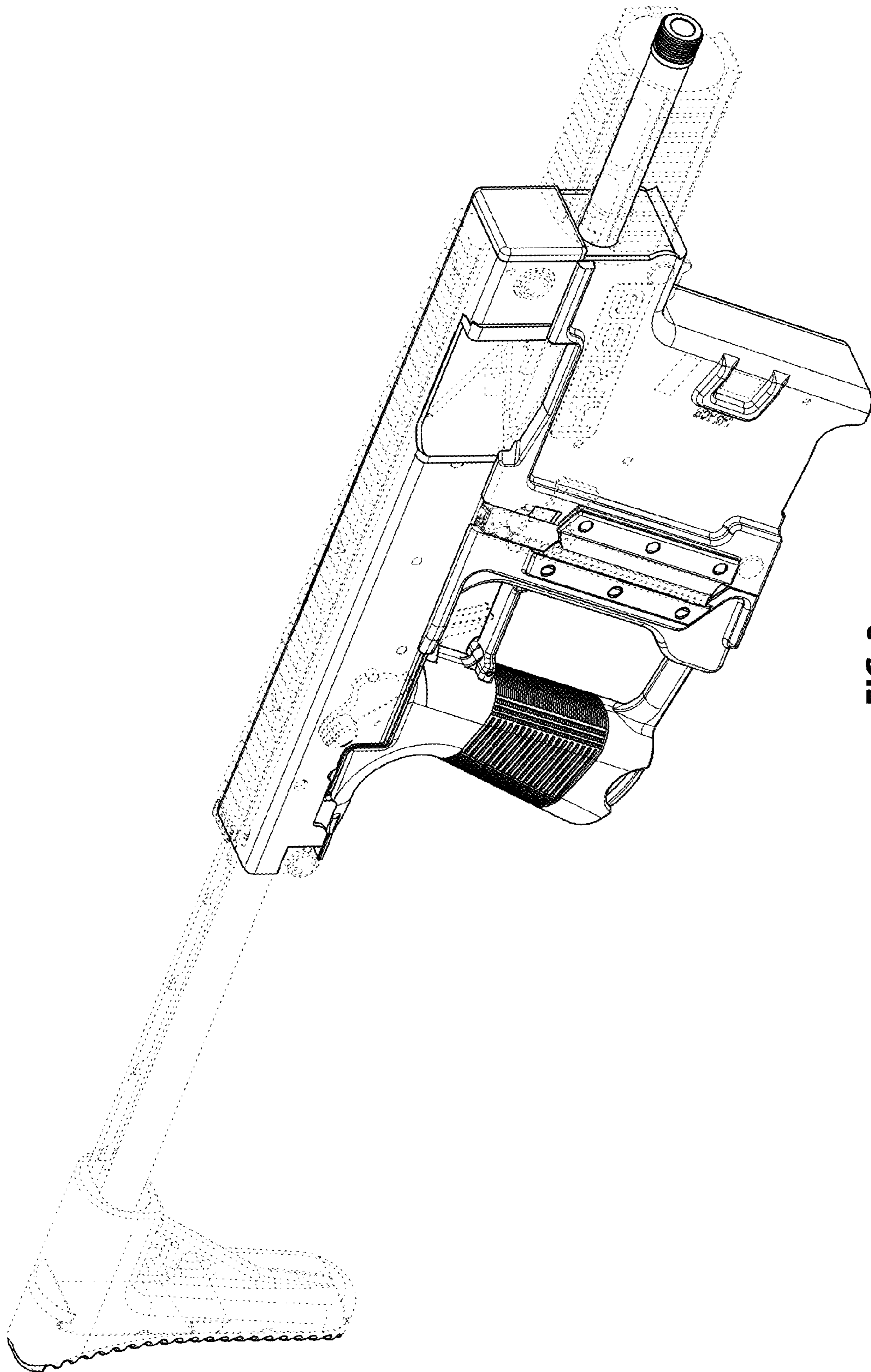


FIG. 3

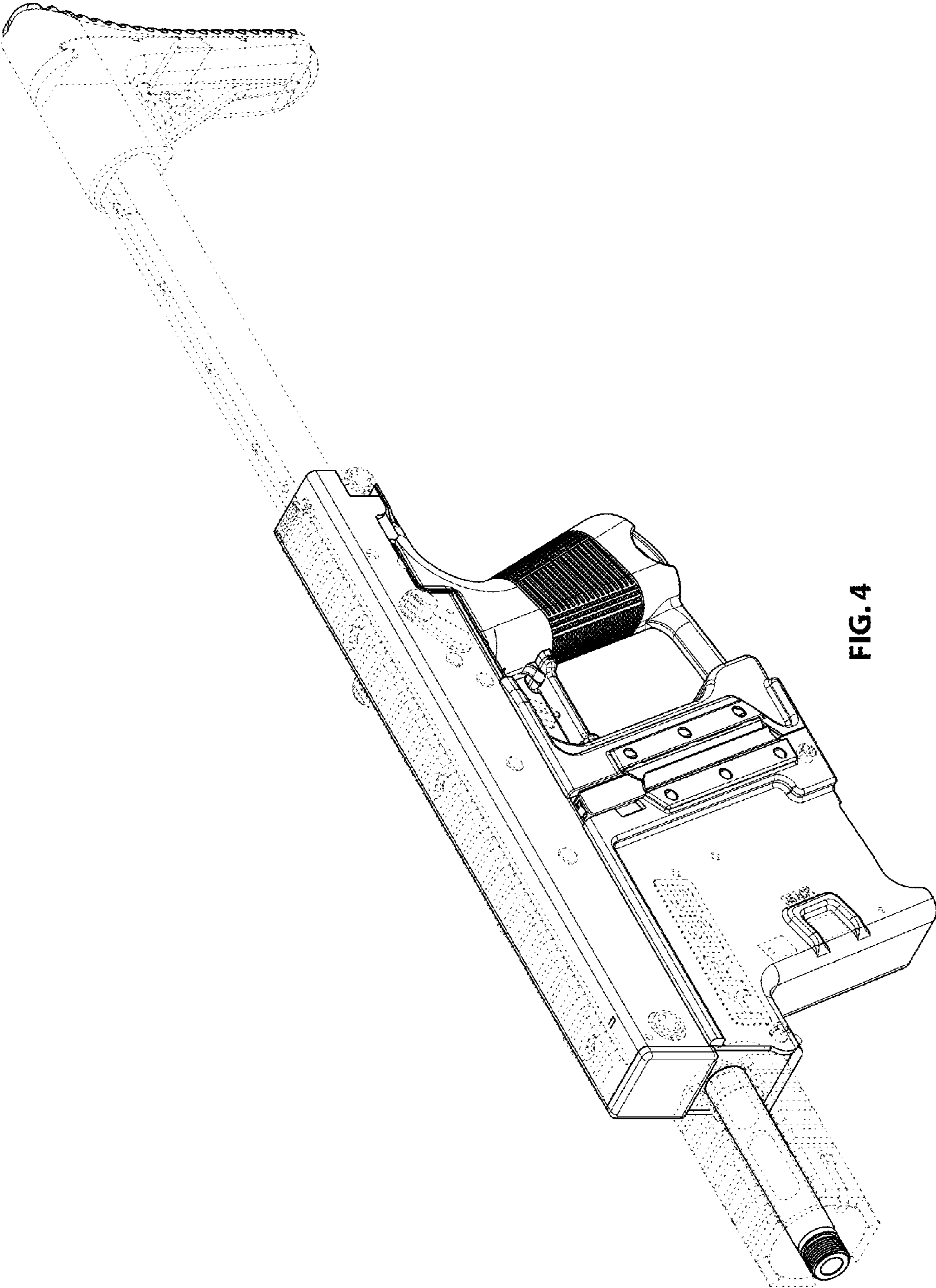


FIG. 4

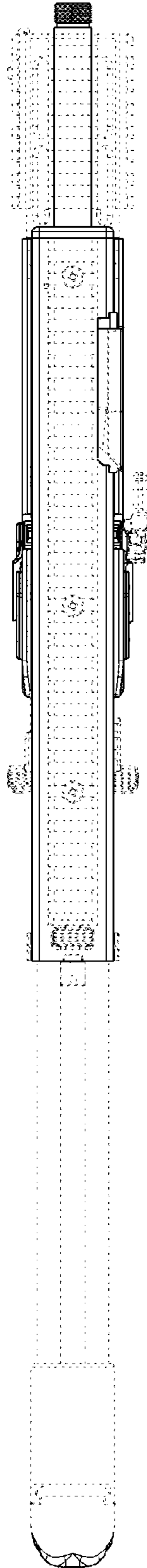


FIG. 5

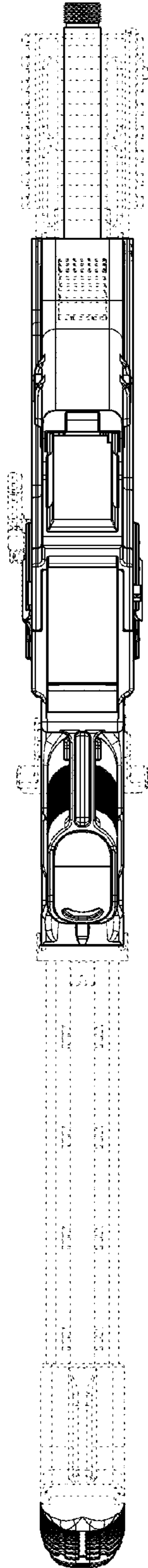


FIG. 6

FIG. 7

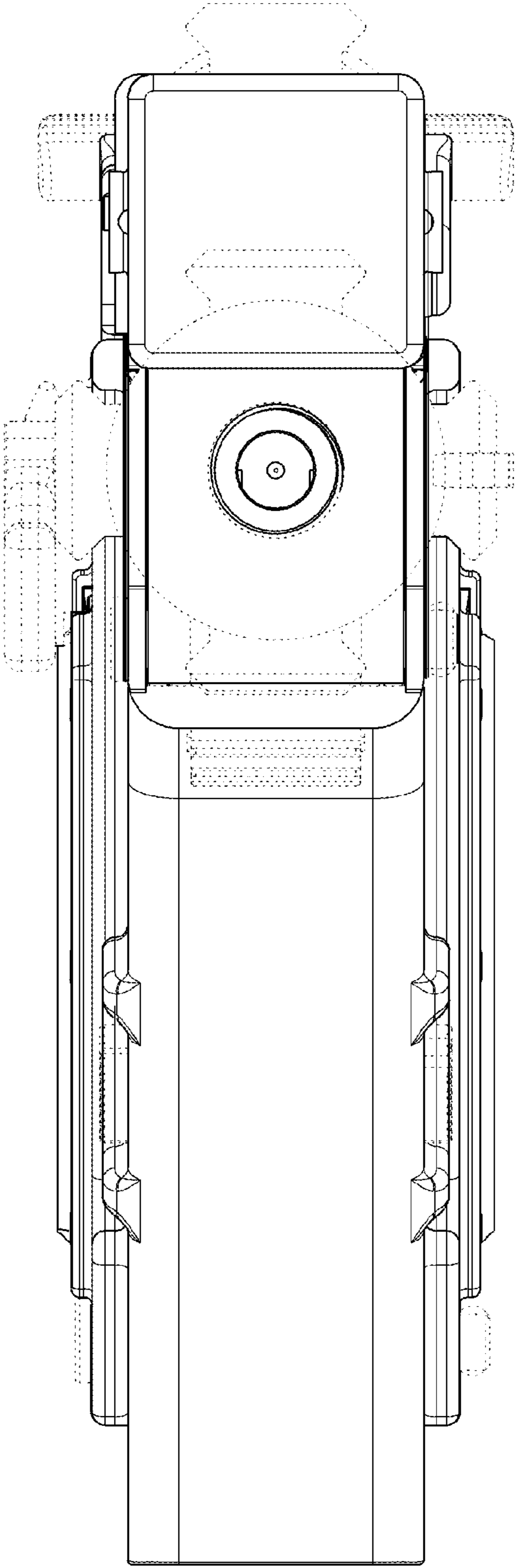
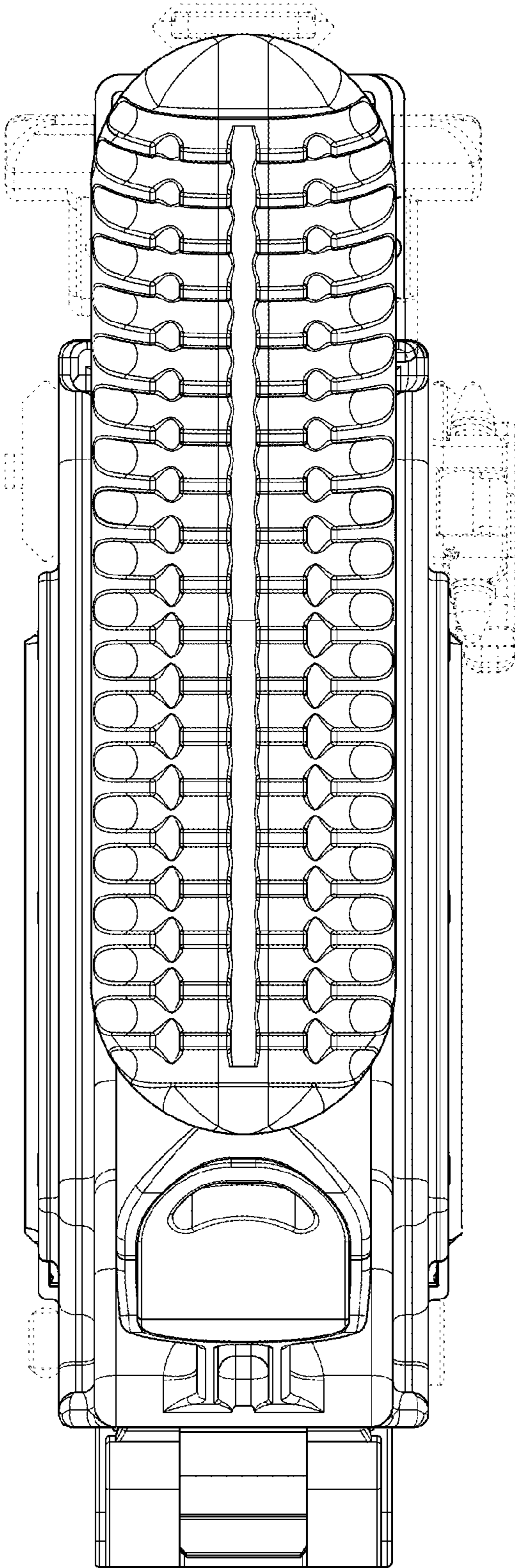


FIG. 8



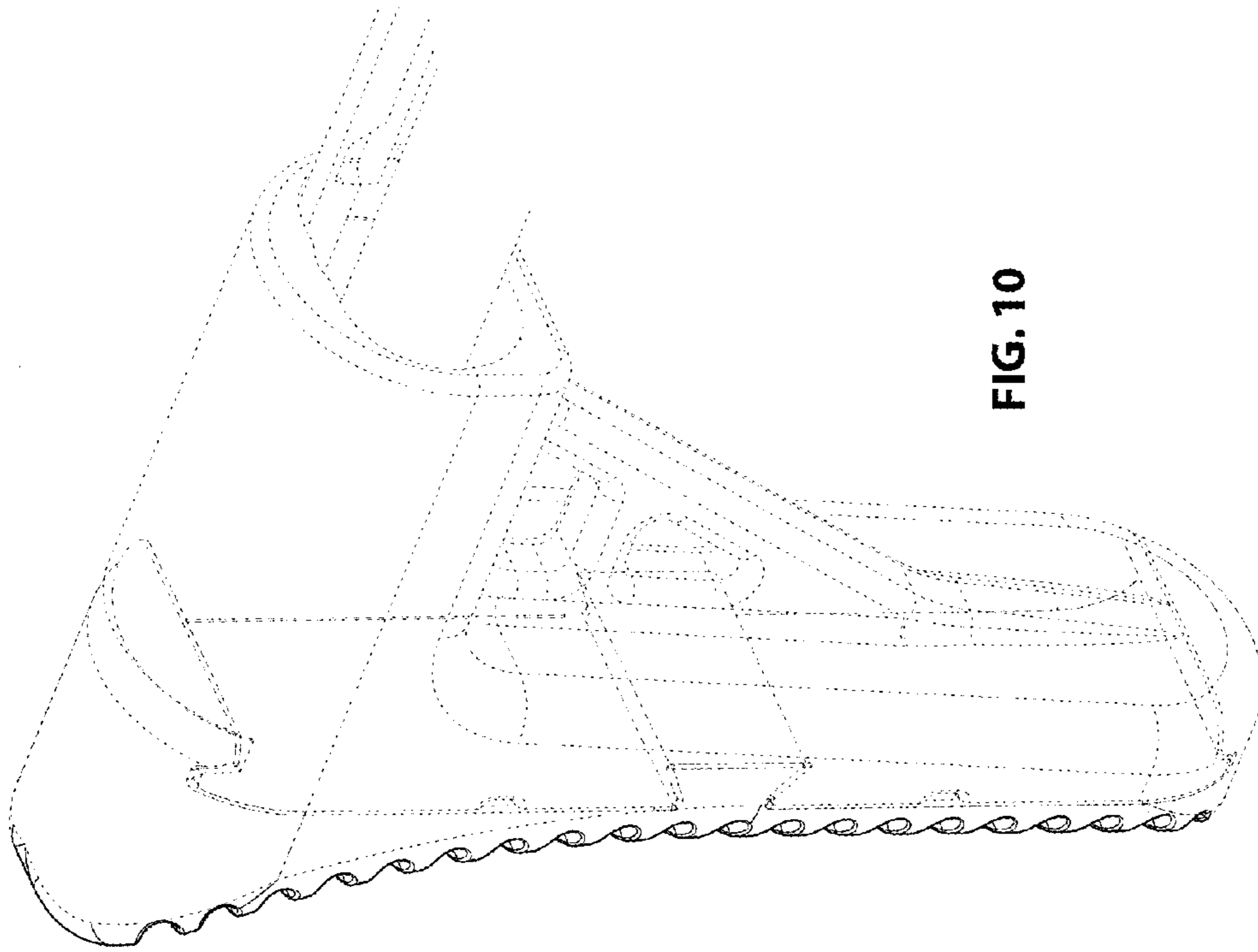


FIG. 10

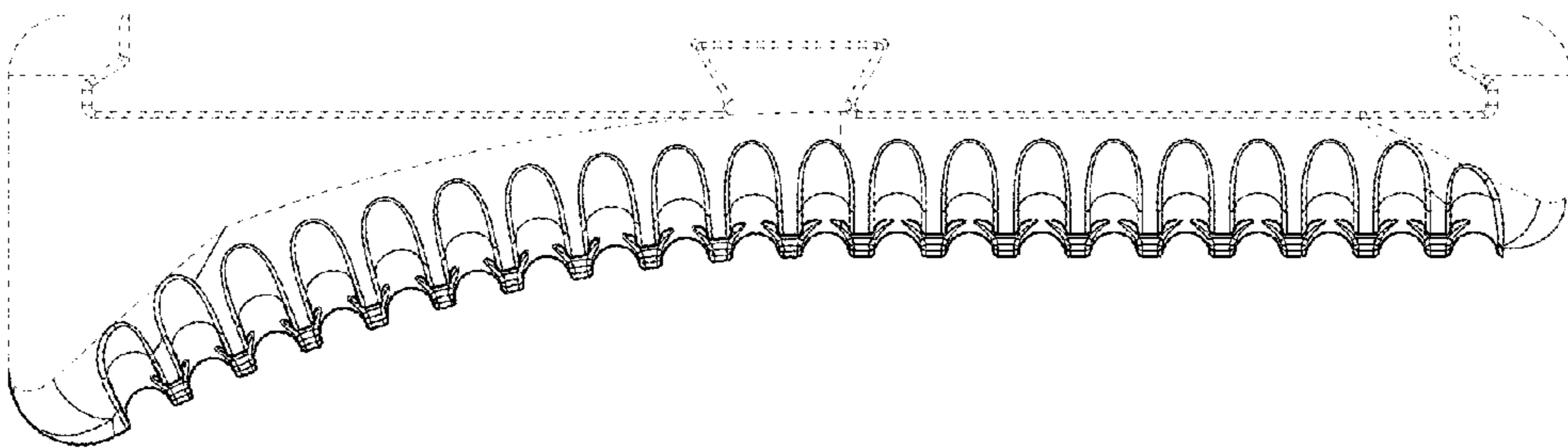


FIG. 9

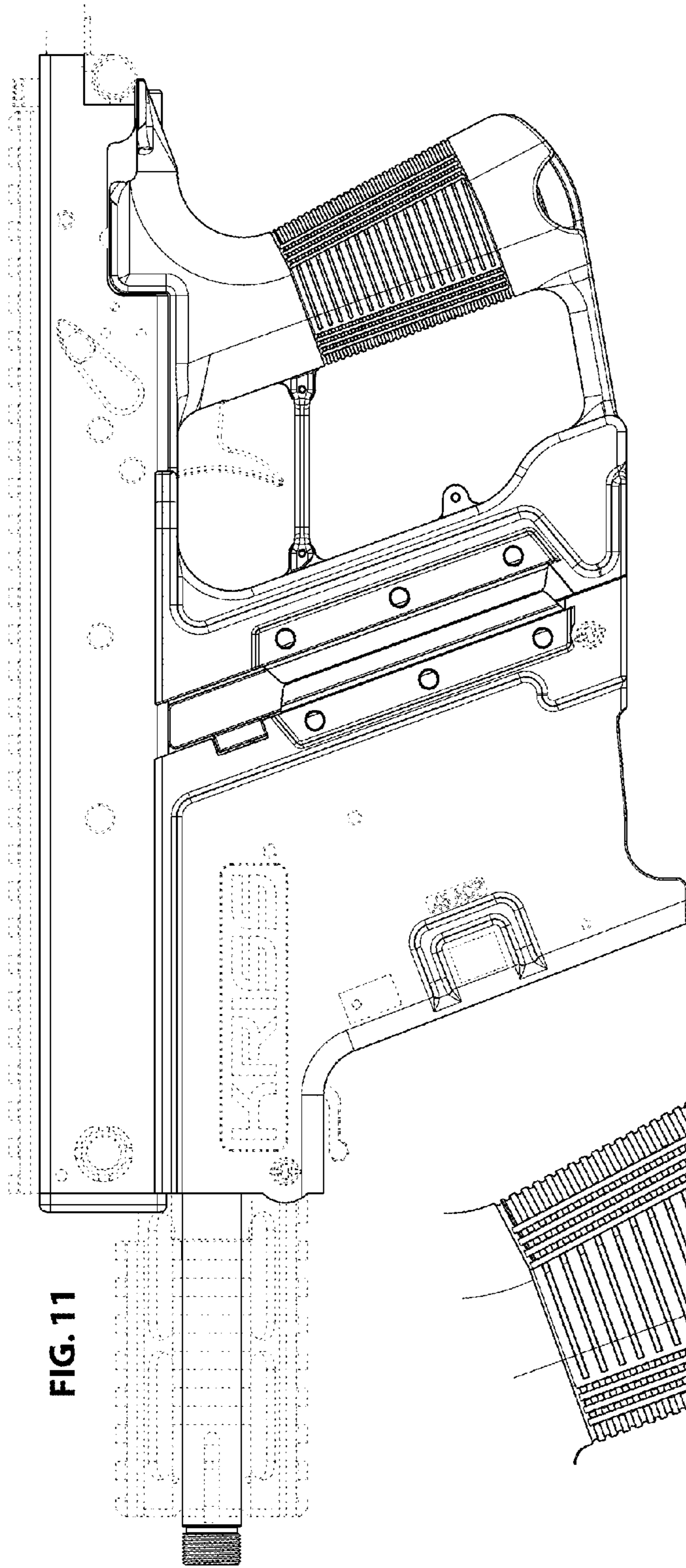


FIG. 11

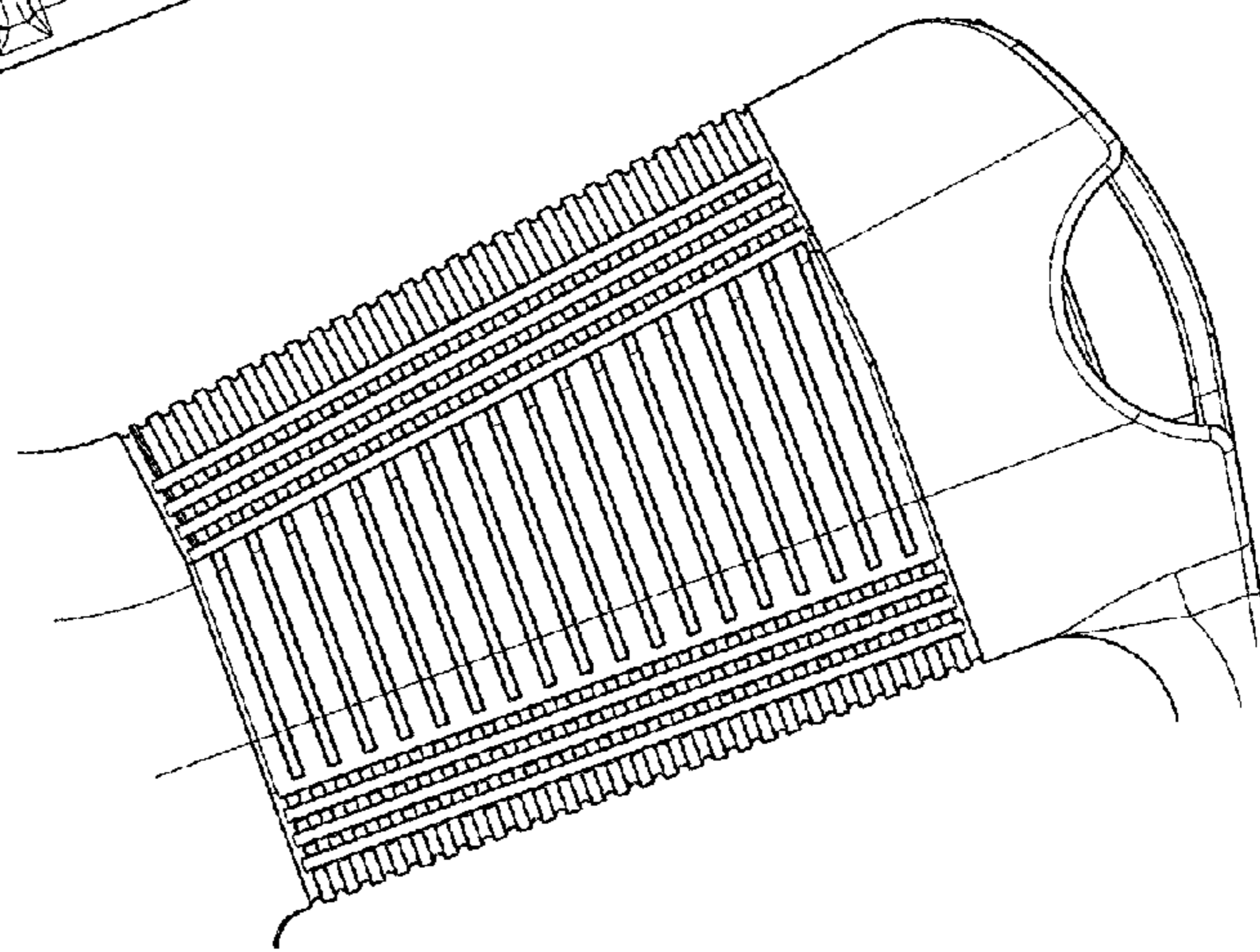


FIG. 12

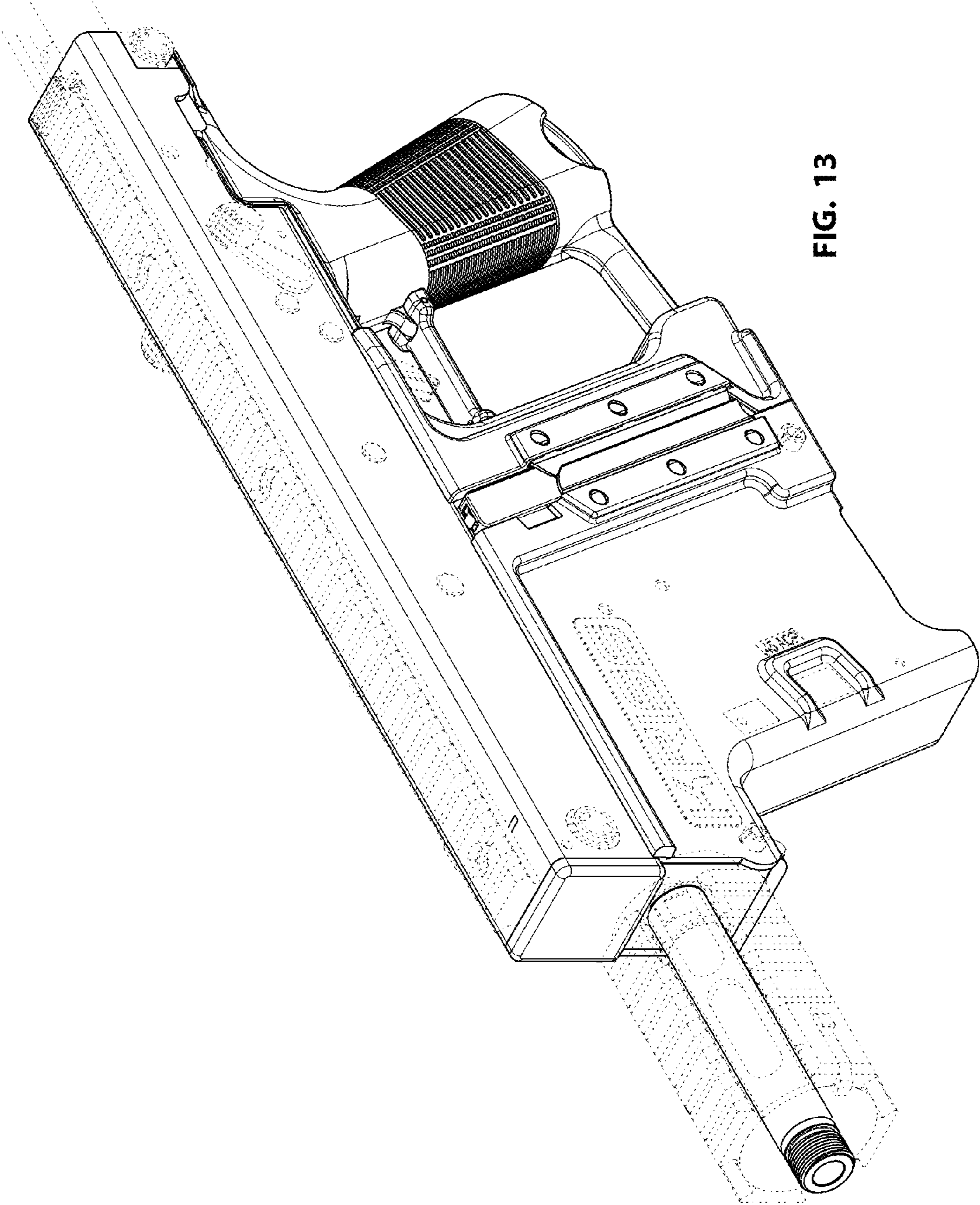


FIG. 13

