



US00D714411S

(12) **United States Design Patent**
Chen

(10) **Patent No.:** **US D714,411 S**

(45) **Date of Patent:** **** Sep. 30, 2014**

(54) **TABLE TENNIS TABLE**

(71) Applicant: **Samuel Chen**, Shanghai (CN)

(72) Inventor: **Samuel Chen**, Shanghai (CN)

(**) Term: **14 Years**

(21) Appl. No.: **29/486,755**

(22) Filed: **Apr. 2, 2014**

(51) **LOC (10) Cl.** **21-02**

(52) **U.S. Cl.**
USPC **D21/799.2**

(58) **Field of Classification Search**
CPC A63B 67/04; A63B 67/045; A63B
2243/0091; A47B 25/003

USPC D21/397, 698, 705, 799.1, 799.2;
D6/397; 473/415-504; 273/317-412

See application file for complete search history.

(56) **References Cited**

U.S. PATENT DOCUMENTS

2,911,217	A *	11/1959	Block et al.	473/435
3,190,649	A *	6/1965	Heisler	473/496
3,754,760	A *	8/1973	Nielsen	473/475
3,799,073	A *	3/1974	Nielsen	108/169
4,089,522	A *	5/1978	Rock	108/173
D260,154	S *	8/1981	Dremel	D21/799.2
5,470,057	A *	11/1995	Bodford, Jr.	473/416
5,649,700	A *	7/1997	Suh et al.	473/496

D425,568	S *	5/2000	Muraki et al.	D21/799.2
D499,161	S *	11/2004	Dadbeh	D21/799.2
6,916,258	B2 *	7/2005	Dadbeh	473/496
6,986,722	B2 *	1/2006	Dadbeh	473/496
7,156,763	B1 *	1/2007	Liao	473/496
7,704,170	B2 *	4/2010	Julian et al.	473/496
8,414,431	B2 *	4/2013	Chung et al.	473/496
2009/0176605	A1 *	7/2009	Martinez et al.	473/496
2011/0294608	A1 *	12/2011	Klest	473/462
2014/0011614	A1 *	1/2014	Chen	473/496

* cited by examiner

Primary Examiner — Catherine Tuttle

(74) *Attorney, Agent, or Firm* — Clement Cheng

(57) **CLAIM**

The ornamental design for a table tennis table, as shown and described.

DESCRIPTION

FIG. 1 is a perspective view.

FIG. 2 is a right side view, the left side view being the same as the right side view.

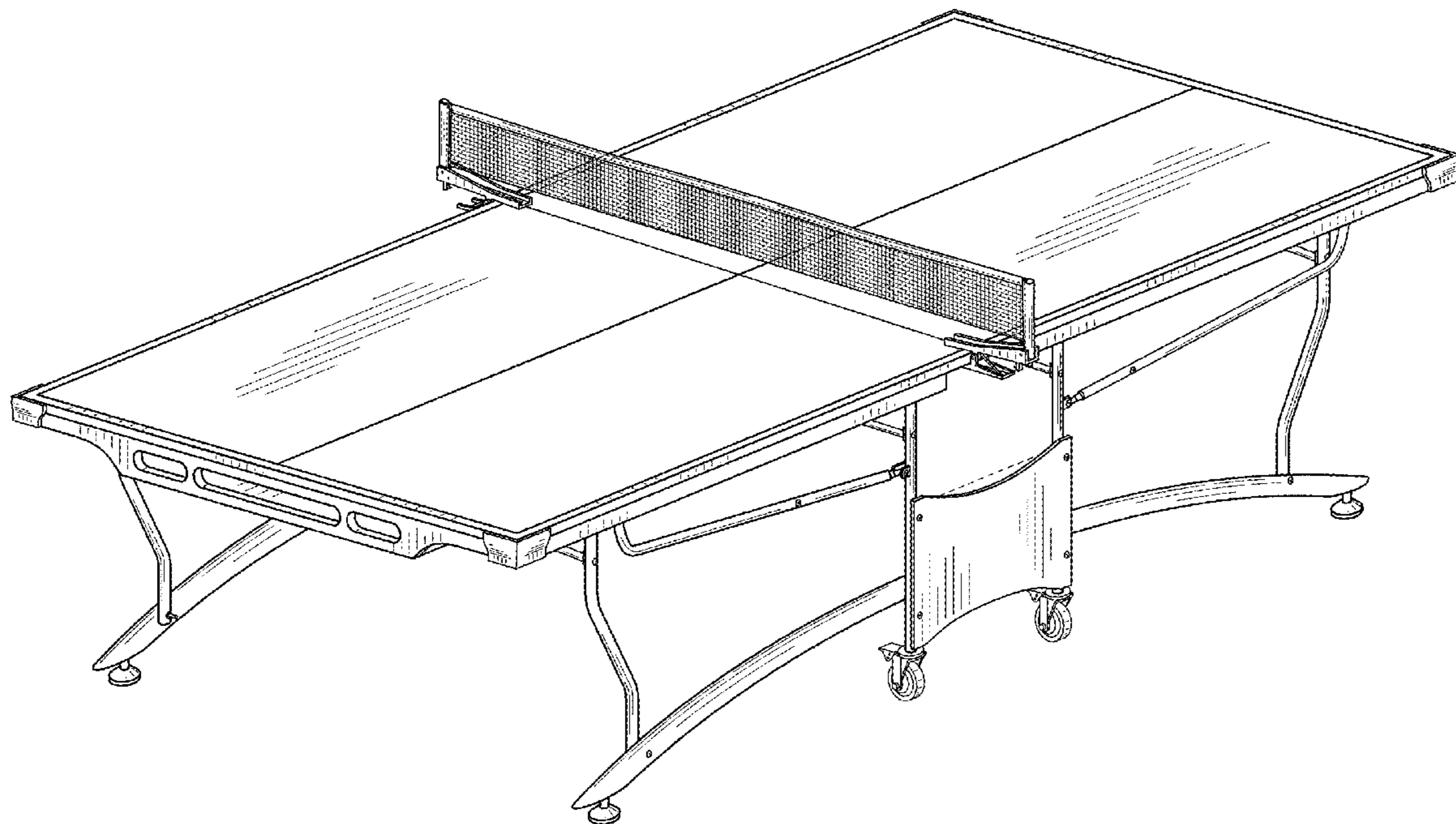
FIG. 3 is a front view, the rear view being the same as the front view.

FIG. 4 is a top view; and,

FIG. 5 is a bottom view.

The broken lines shown in FIGS. 1, 2 and 5 are included for the purpose of illustrating portions of the table tennis table that form no part of the claimed design.

1 Claim, 5 Drawing Sheets



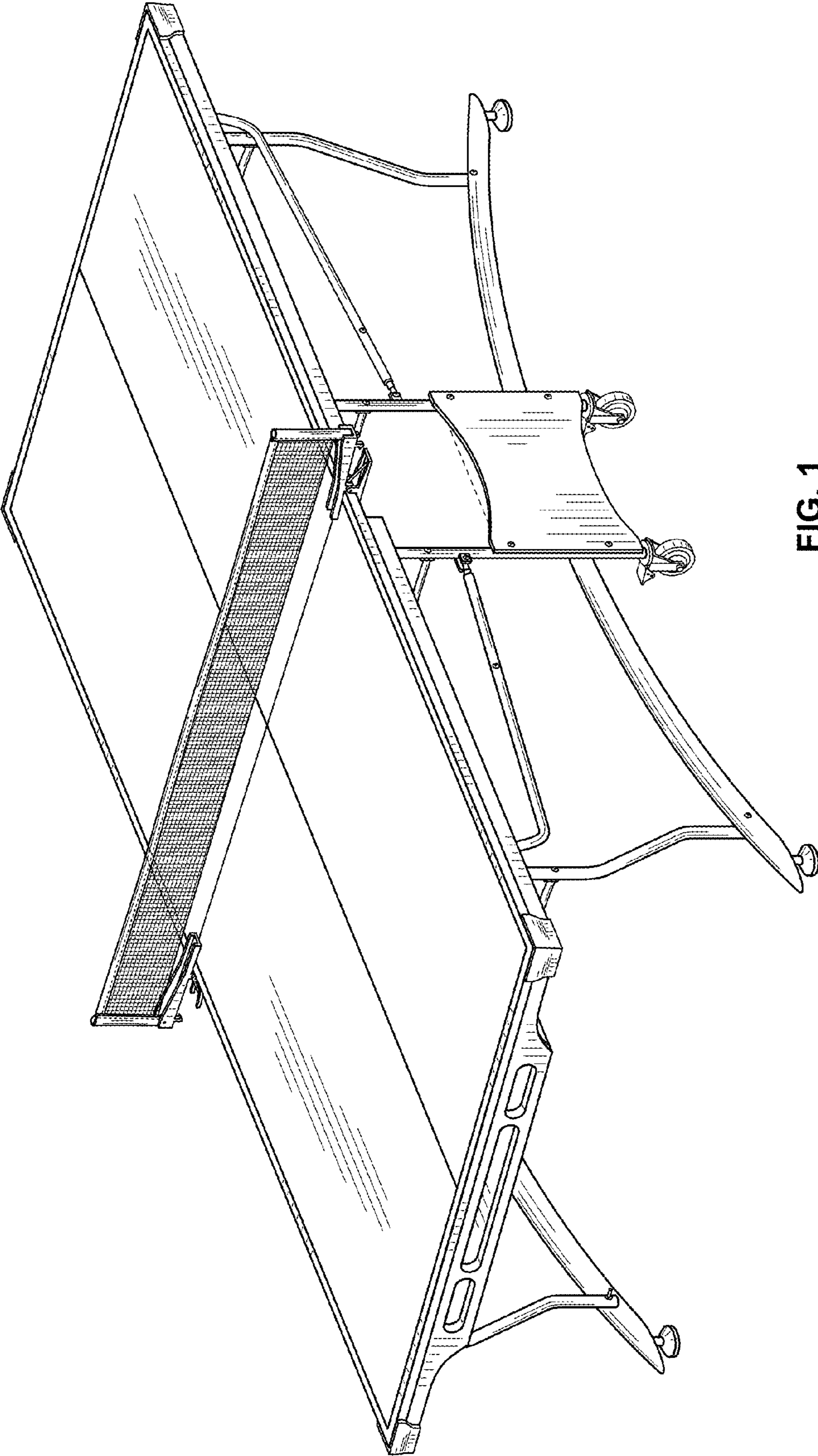


FIG. 1

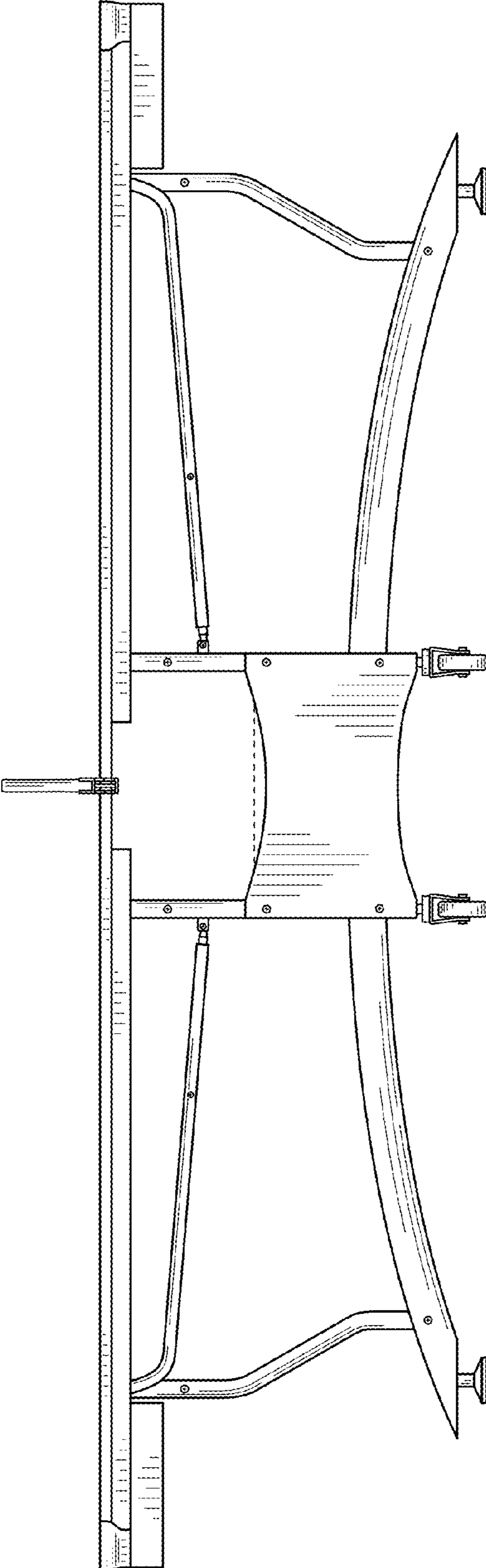


FIG. 2

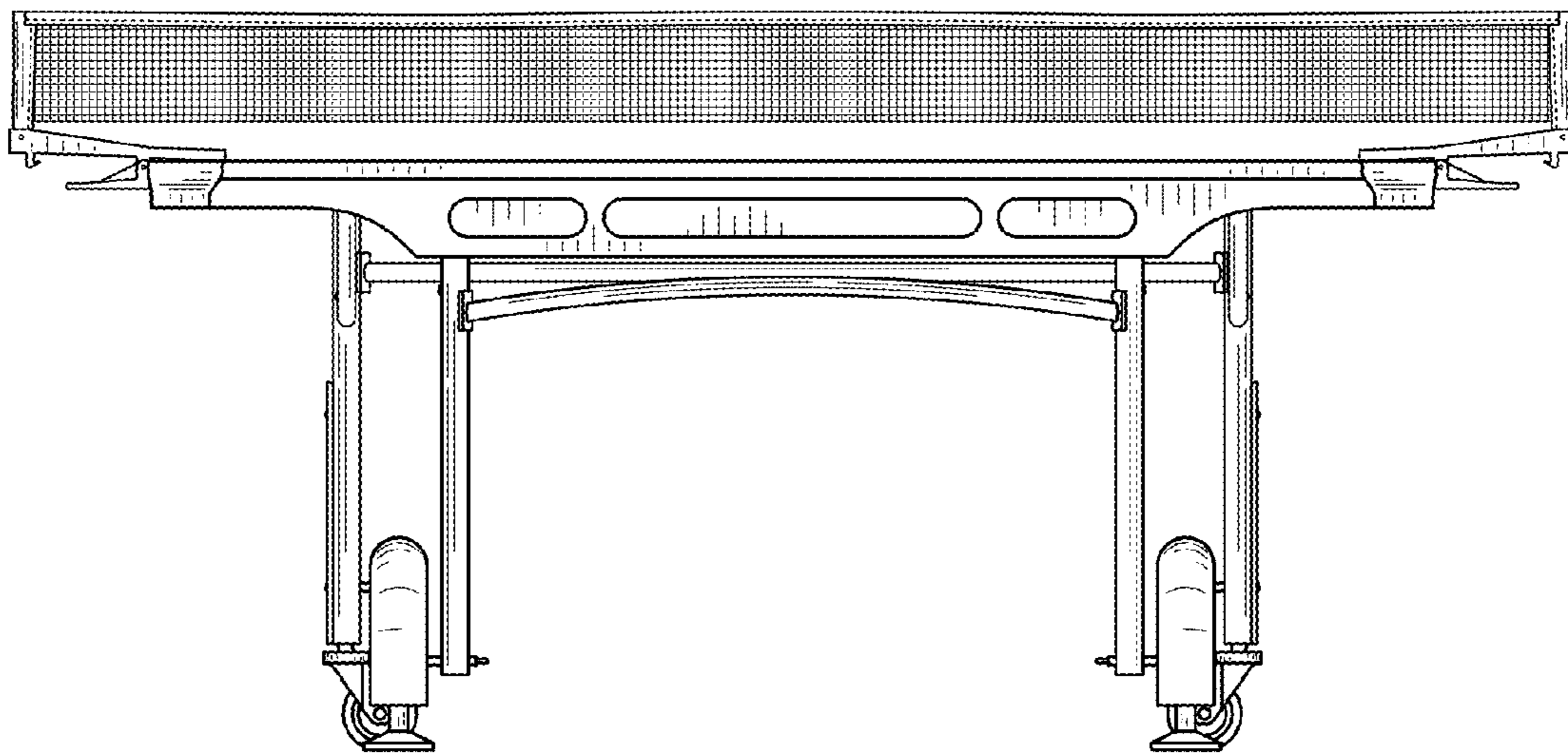


FIG. 3

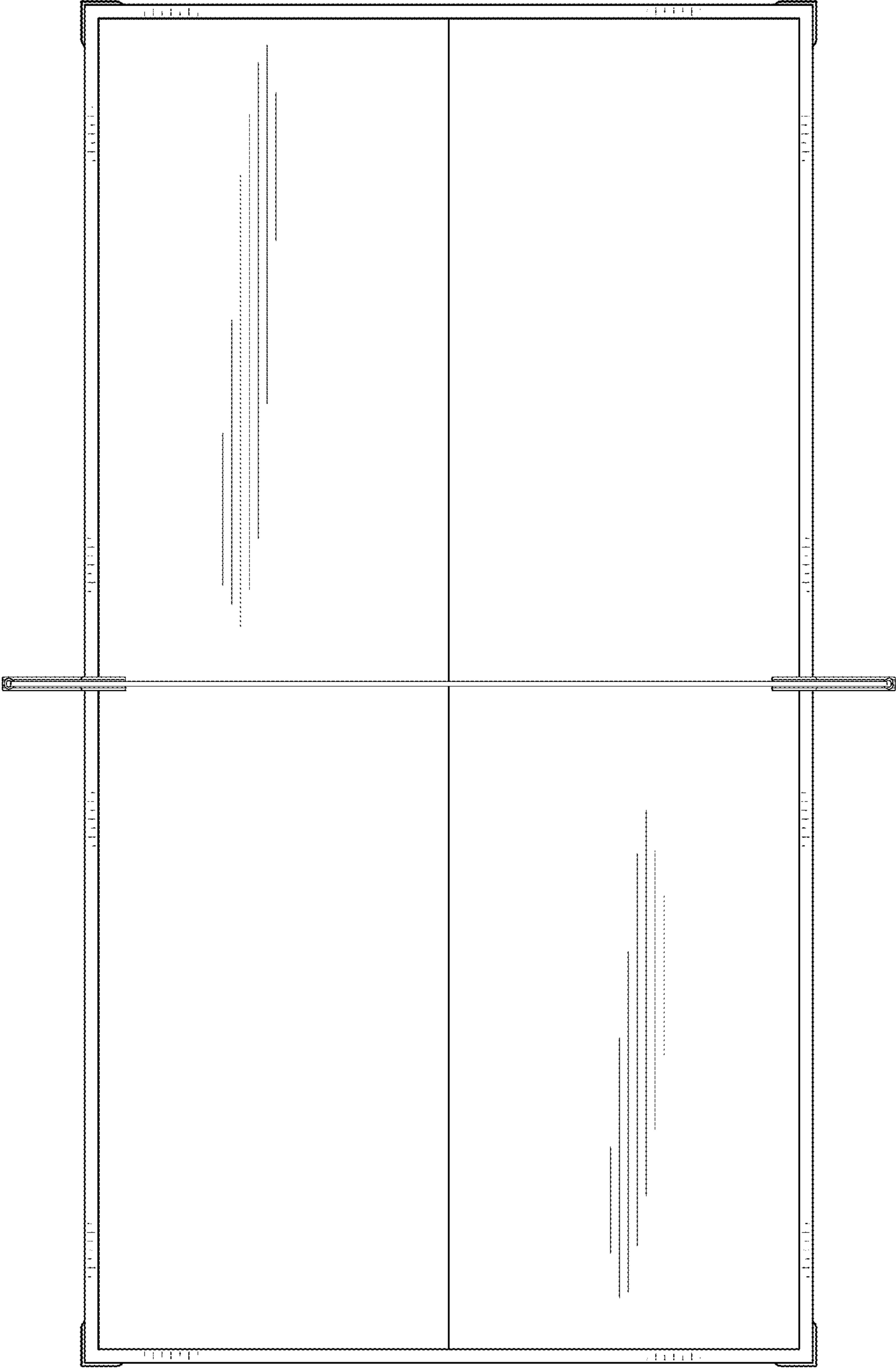


FIG. 4

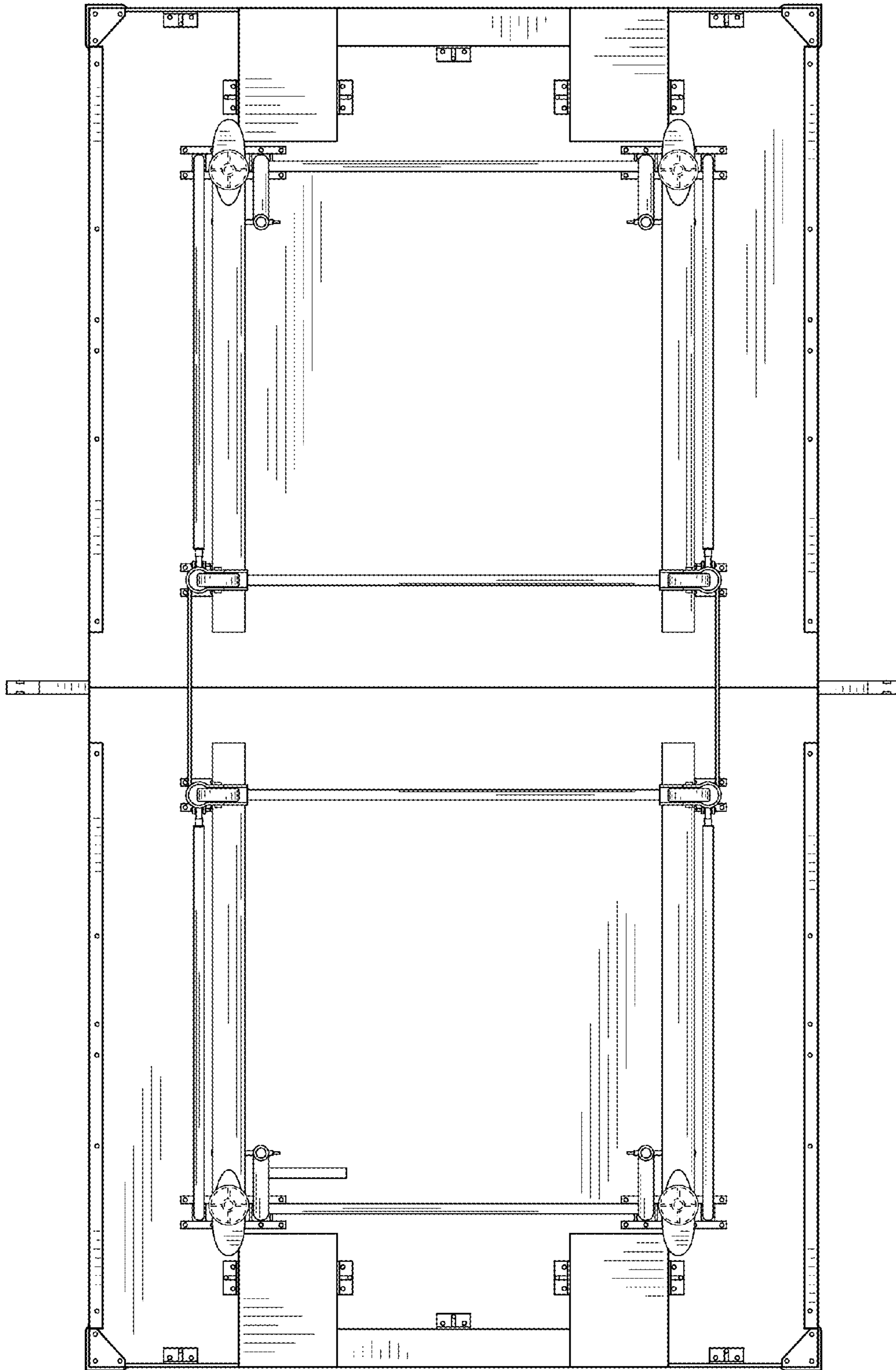


FIG. 5