



US00D714405S

(12) **United States Design Patent**
Thorn

(10) **Patent No.:** **US D714,405 S**

(45) **Date of Patent:** **** Sep. 30, 2014**

(54) **EXERCISE BIKE**

(71) Applicant: **Dezign Imagineering Limited**, Lower Hutt (NZ)

(72) Inventor: **Clement Stephen Victor Thorn**, Lower Hutt (NZ)

(73) Assignee: **Dezign Imagineering Limited**, Lower Hutt (NZ)

(**) Term: **14 Years**

(21) Appl. No.: **29/440,722**

(22) Filed: **Dec. 26, 2012**

(30) **Foreign Application Priority Data**

Jun. 26, 2012 (NZ) 416437

(51) **LOC (10) Cl.** **21-02**

(52) **U.S. Cl.**
USPC **D21/665**

(58) **Field of Classification Search**
USPC D21/662, 663, 664, 665, 666, 667, 668;
482/57, 68, 59, 60, 61, 62

See application file for complete search history.

(56) **References Cited**

U.S. PATENT DOCUMENTS

D279,918 S *	7/1985	Stumbaugh et al.	D21/665
D283,151 S *	3/1986	Knief	D21/665
D298,845 S *	12/1988	Giger	D21/665
D305,347 S *	1/1990	Wittenbrock et al.	D21/665
D408,874 S *	4/1999	Kuo et al.	D21/670
D472,946 S *	4/2003	Wu	D21/665
D636,826 S *	4/2011	Chan	D21/663

* cited by examiner

Primary Examiner — Phillip S Hyder

(74) *Attorney, Agent, or Firm* — Young & Thompson

(57) **CLAIM**

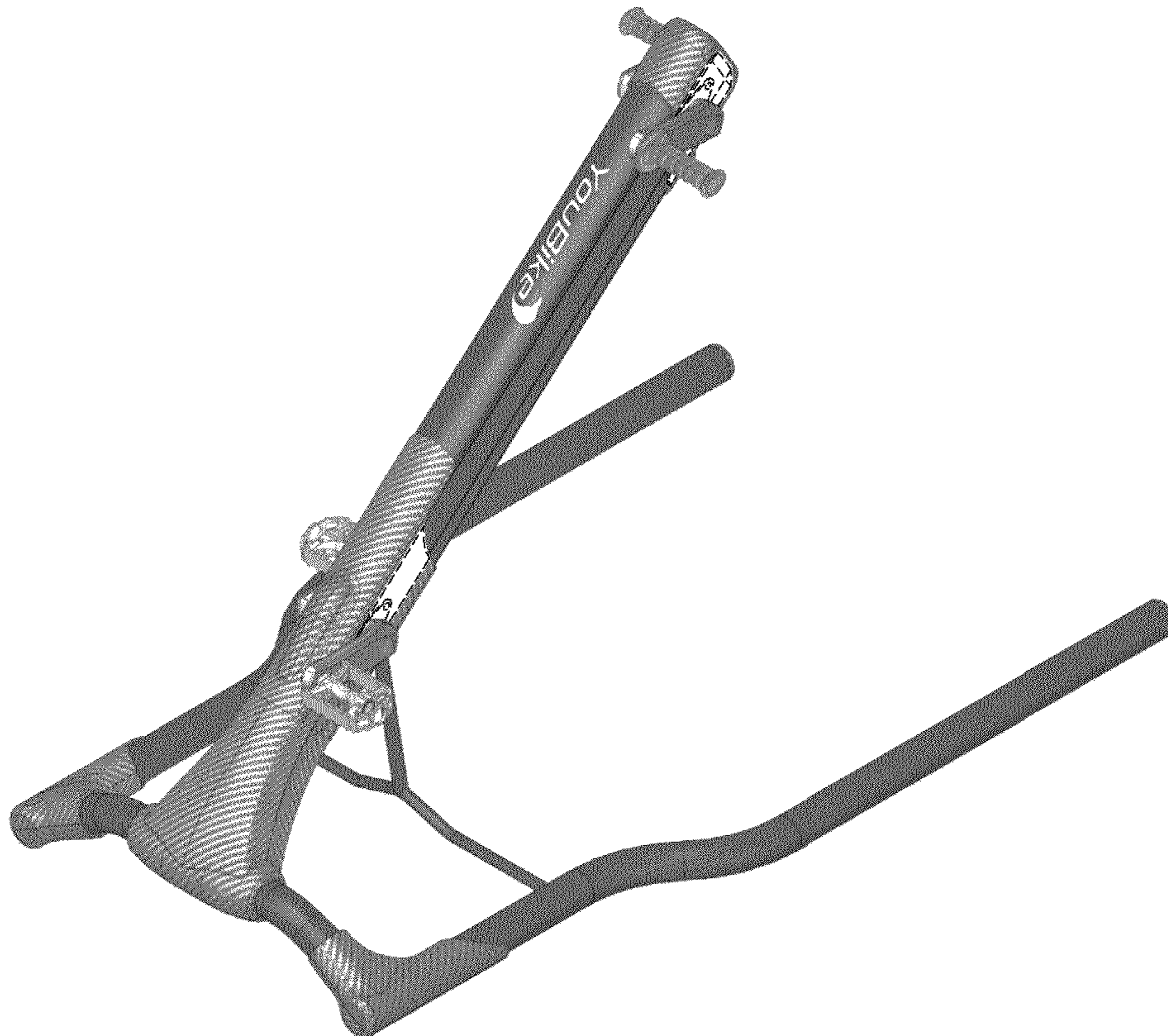
The ornamental design for an exercise bike, as shown and described.

DESCRIPTION

FIG. 1 is a front, left side, and top perspective view of an exercise bike showing the new design; FIG. 2 is a front elevation view thereof; FIG. 3 is a left side elevation view thereof; FIG. 4 is a right side elevation view thereof; FIG. 5 is a rear elevation view thereof; FIG. 6 is a top plan view thereof; and, FIG. 7 is a bottom plan view thereof.

The portions of the design shown in broken lines show unclaimed subject matter.

1 Claim, 7 Drawing Sheets



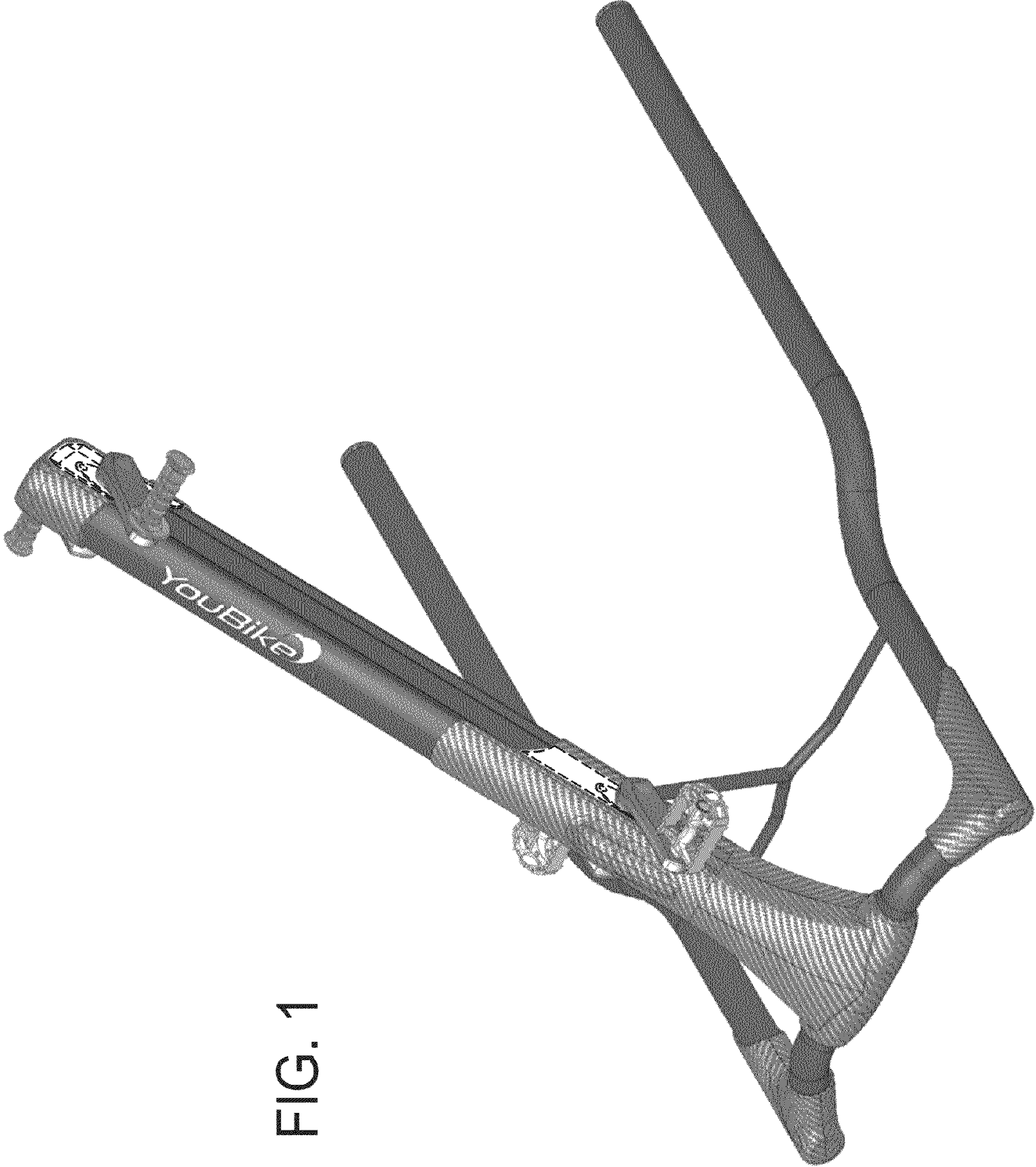


FIG. 1

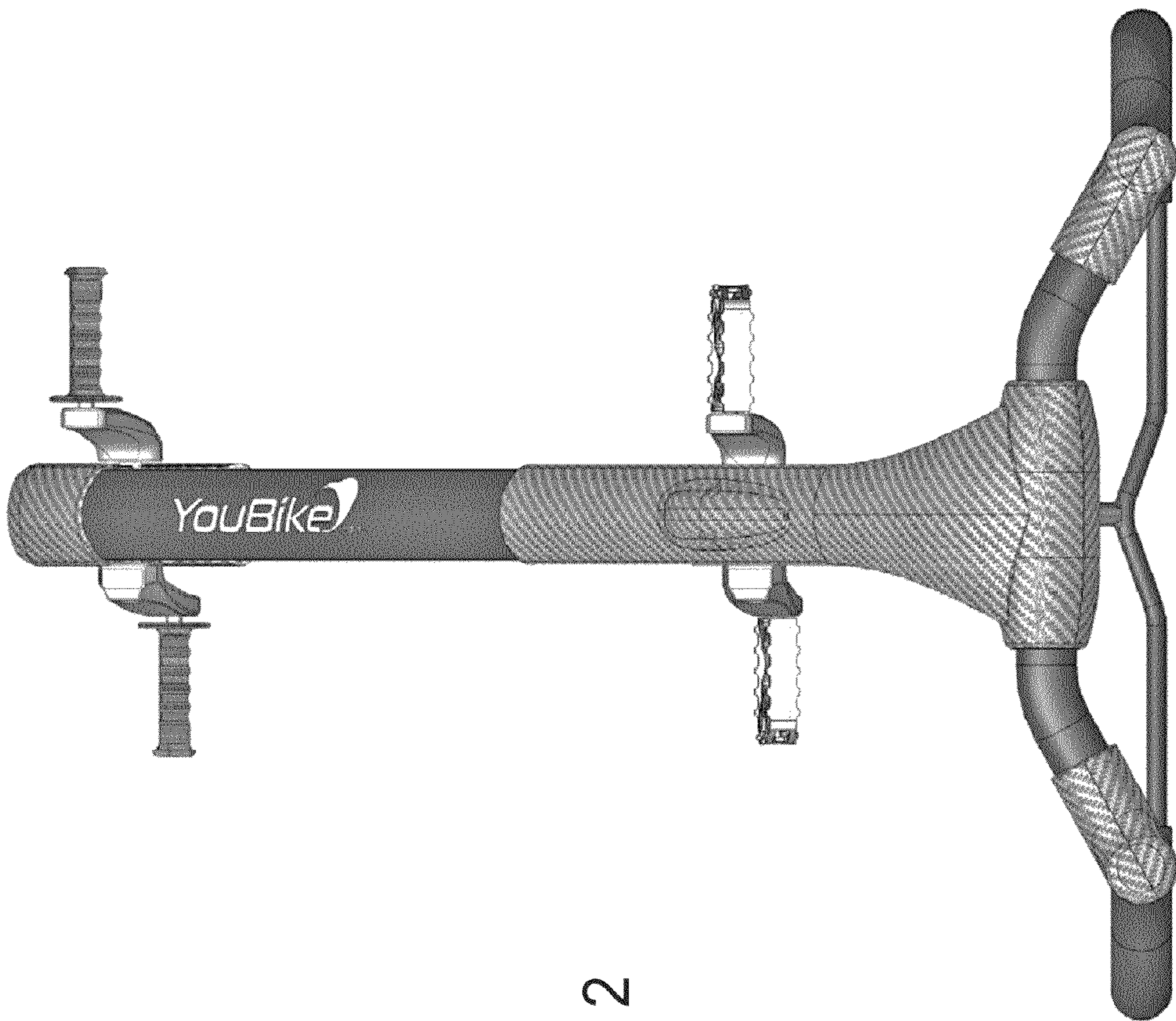


FIG. 2

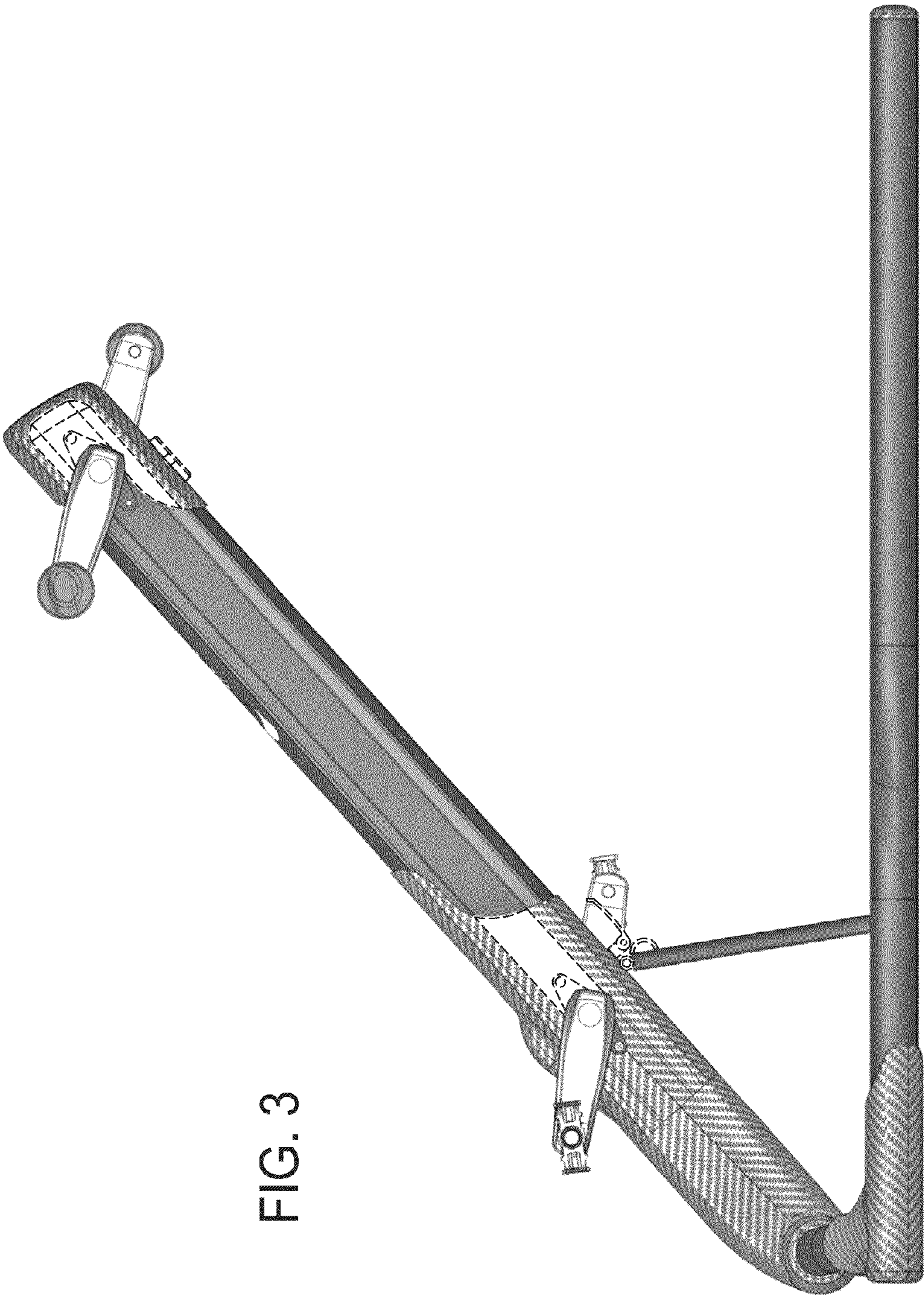


FIG. 3

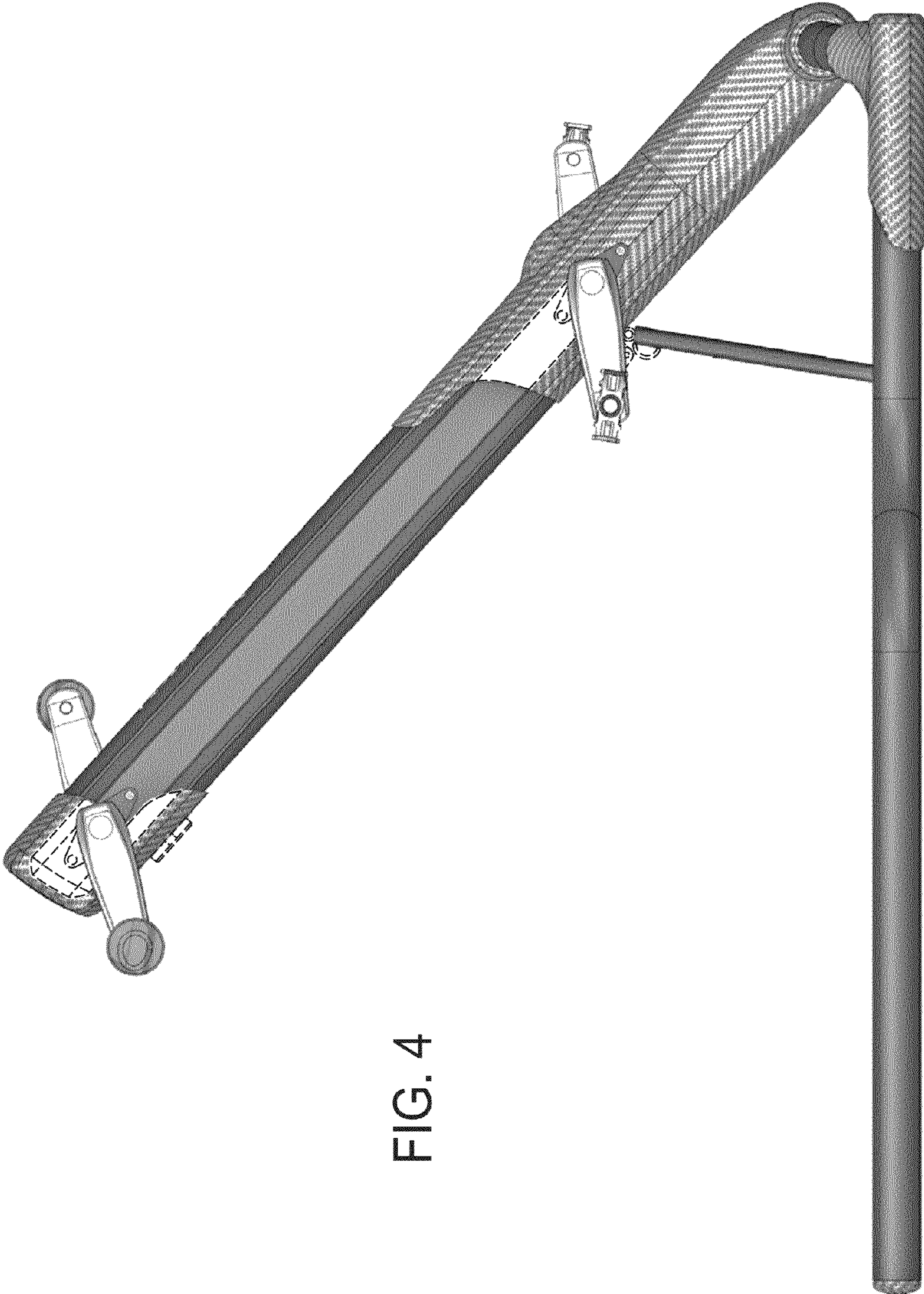


FIG. 4

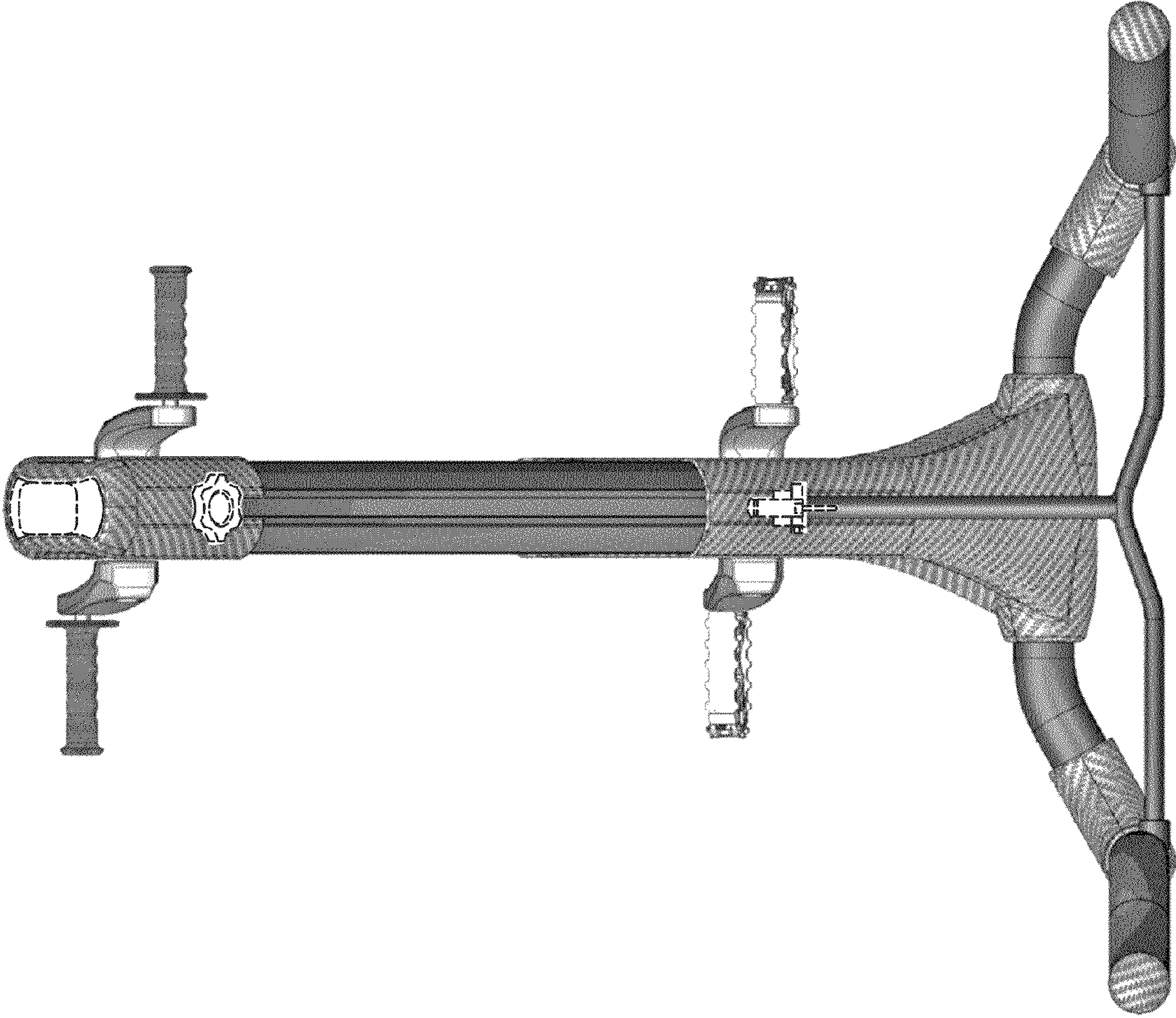


FIG. 5

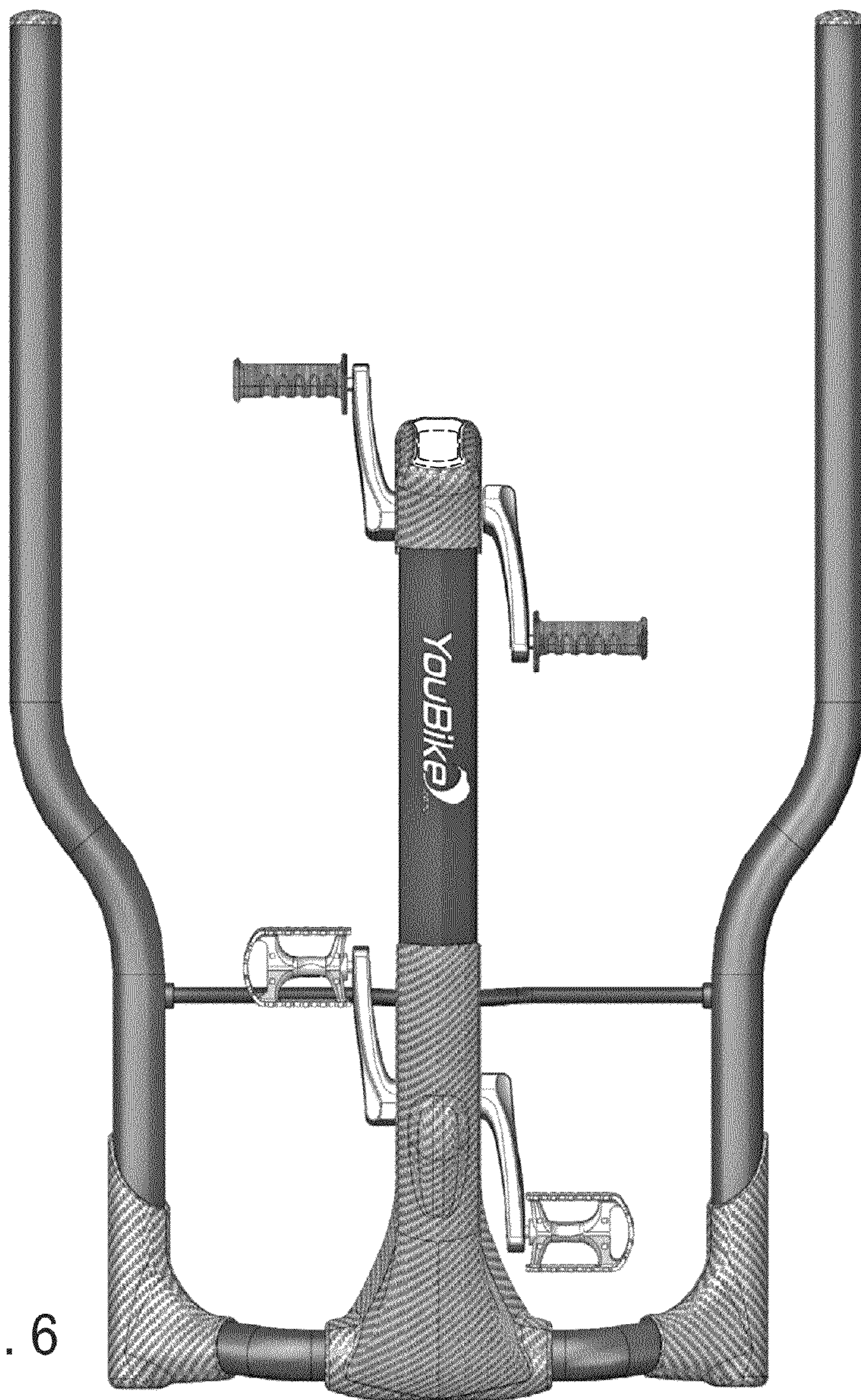


FIG. 6

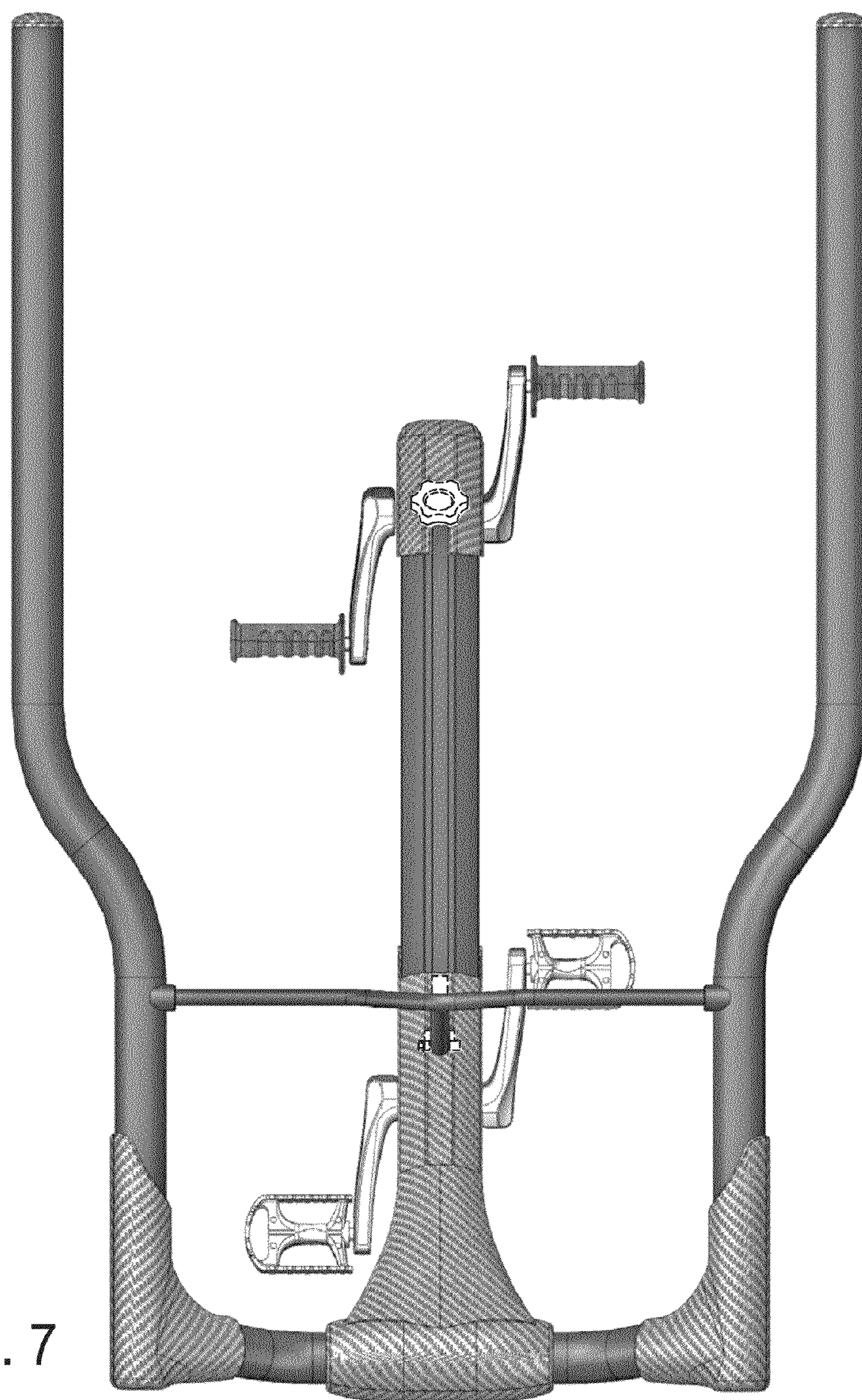


FIG. 7