



US00D714401S

(12) **United States Design Patent**  
**Lin**

(10) **Patent No.:** **US D714,401 S**

(45) **Date of Patent:** **\*\* Sep. 30, 2014**

(54) **BUILDING BLOCK**

(71) Applicant: **Chia-Yen Lin**, Dongguan (CN)

(72) Inventor: **Chia-Yen Lin**, Dongguan (CN)

(\*\*) Term: **14 Years**

(21) Appl. No.: **29/480,720**

(22) Filed: **Jan. 29, 2014**

(51) **LOC (10) Cl.** ..... **21-01**

(52) **U.S. Cl.**  
USPC ..... **D21/499**

(58) **Field of Classification Search**  
USPC ..... D21/386, 389, 404, 468, 470, 471,  
D21/484-505; 446/69, 85, 102-128;  
434/208, 259, 403; 273/153, 156, 160;  
D25/113-116, 118

See application file for complete search history.

(56) **References Cited**

**U.S. PATENT DOCUMENTS**

D279,915 S \* 7/1985 Arnau Pibet ..... D21/500  
D368,939 S \* 4/1996 Frederiksen ..... D21/500

D387,398 S \* 12/1997 Øhrwald ..... D21/503  
D413,636 S \* 9/1999 Laserna Fernandez ..... D21/499  
D668,302 S \* 10/2012 Hino ..... D21/501  
2007/0163010 A1 \* 7/2007 Ishii ..... D21/484

\* cited by examiner

*Primary Examiner* — Cynthia M Chin

(74) *Attorney, Agent, or Firm* — Alan Kamrath; Kamrath IP Lawfirm, P.A.

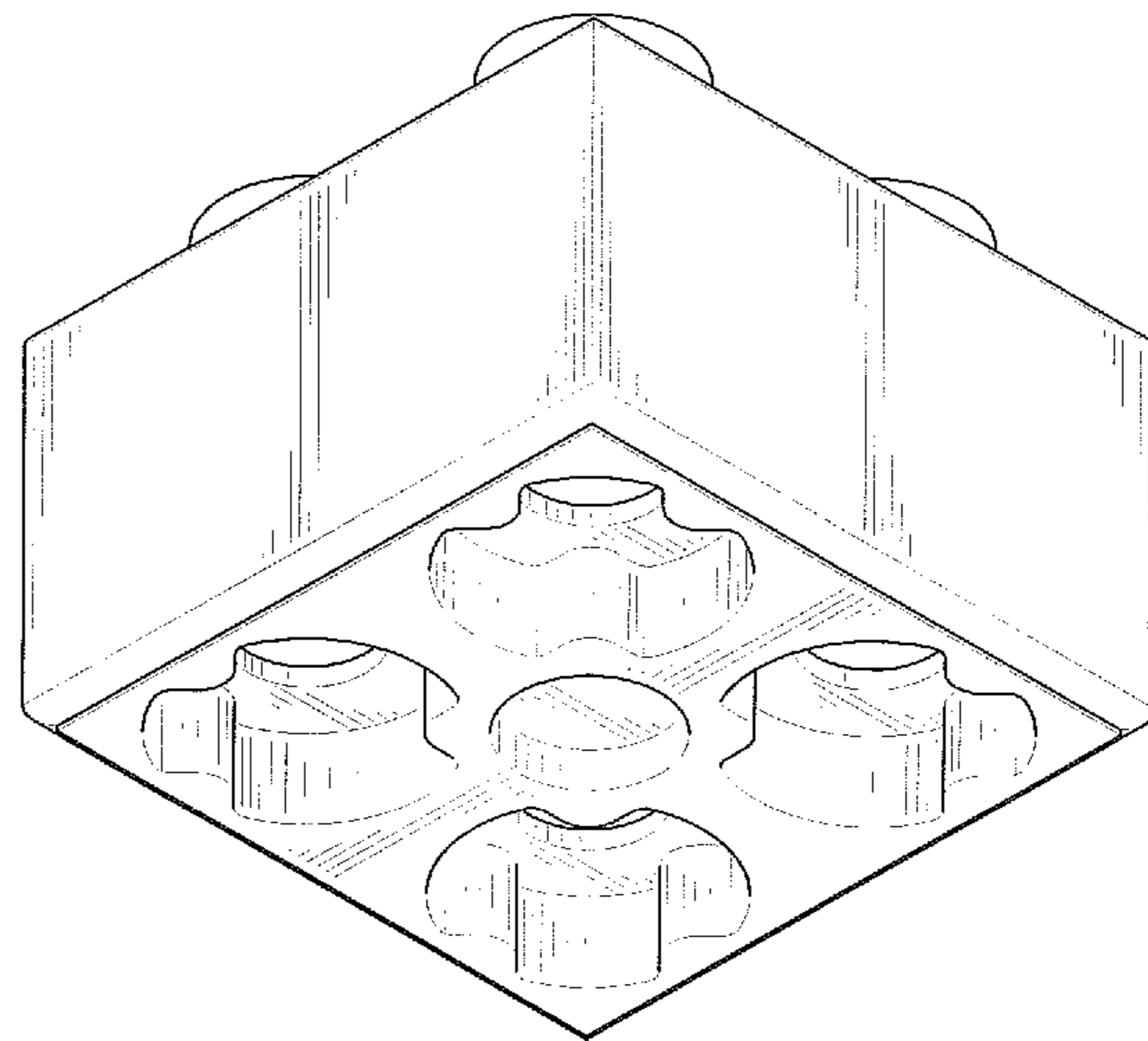
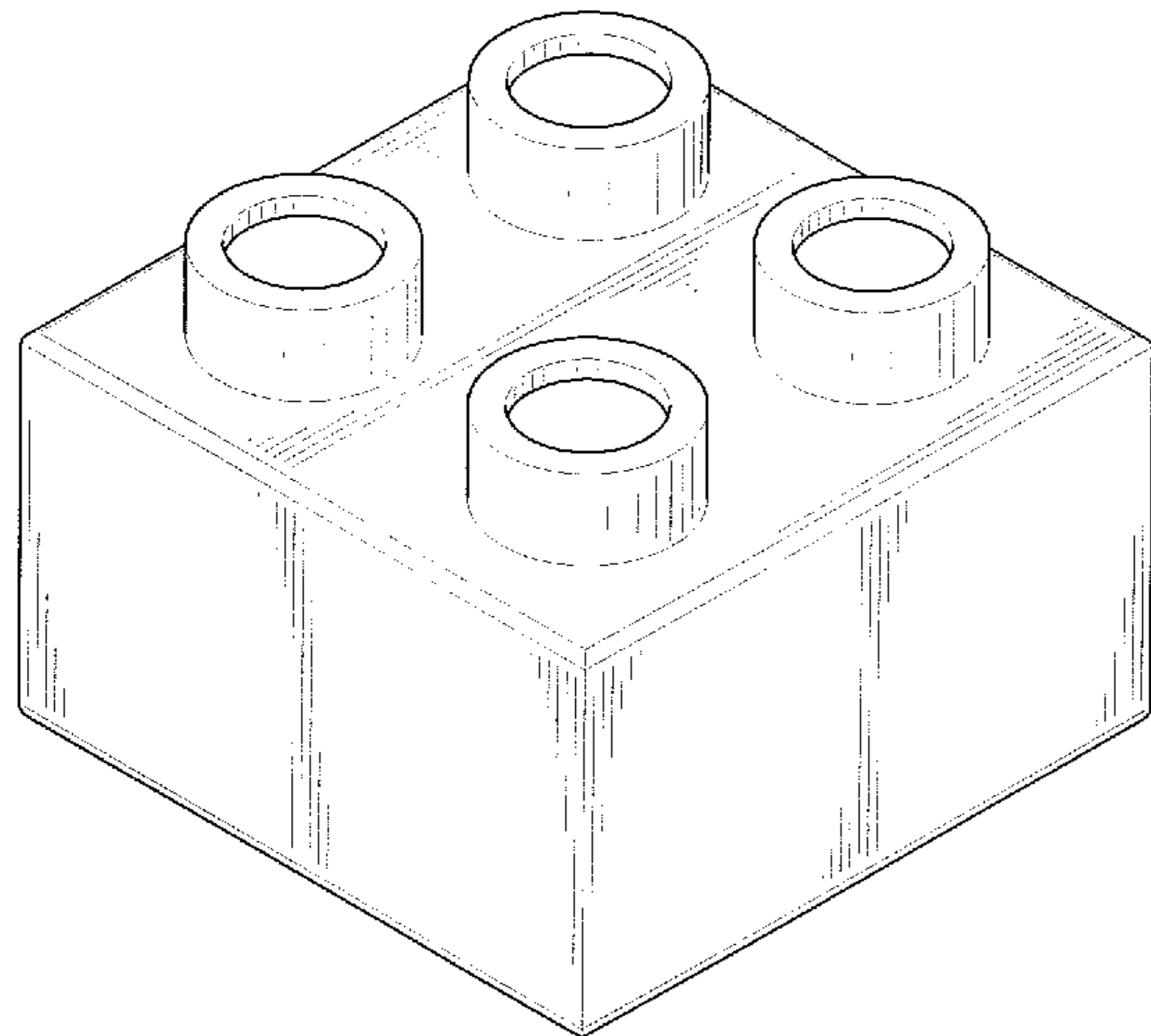
(57) **CLAIM**

The ornamental design for a building block, as shown.

**DESCRIPTION**

FIG. 1 is a perspective view of a building block showing my new design;  
FIG. 2 is a front view thereof;  
FIG. 3 is a rear view thereof;  
FIG. 4 is a left view thereof;  
FIG. 5 is a right view thereof;  
FIG. 6 is a top view thereof;  
FIG. 7 is a bottom view thereof; and,  
FIG. 8 is another perspective view thereof.

**1 Claim, 8 Drawing Sheets**



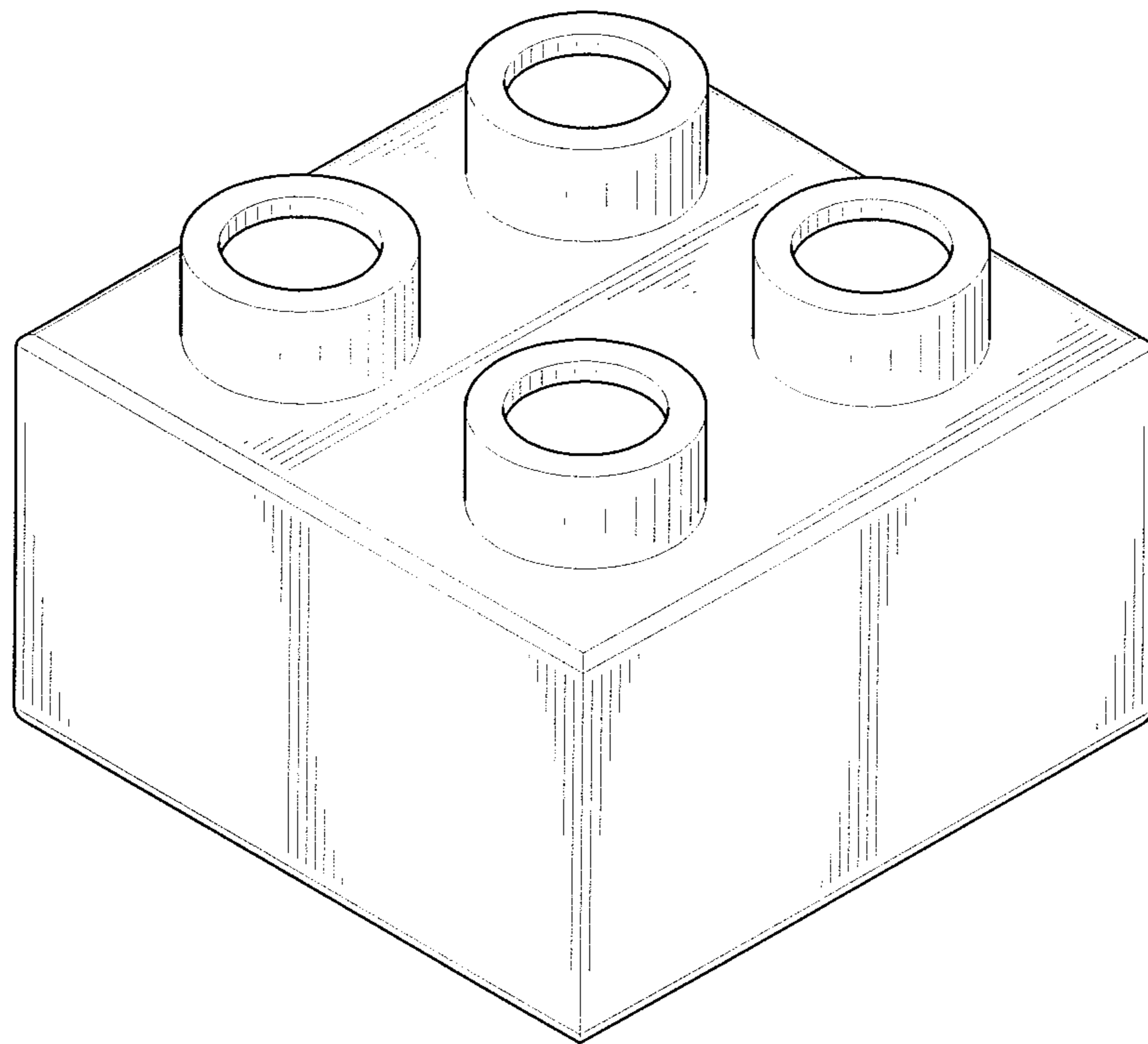


FIG.1

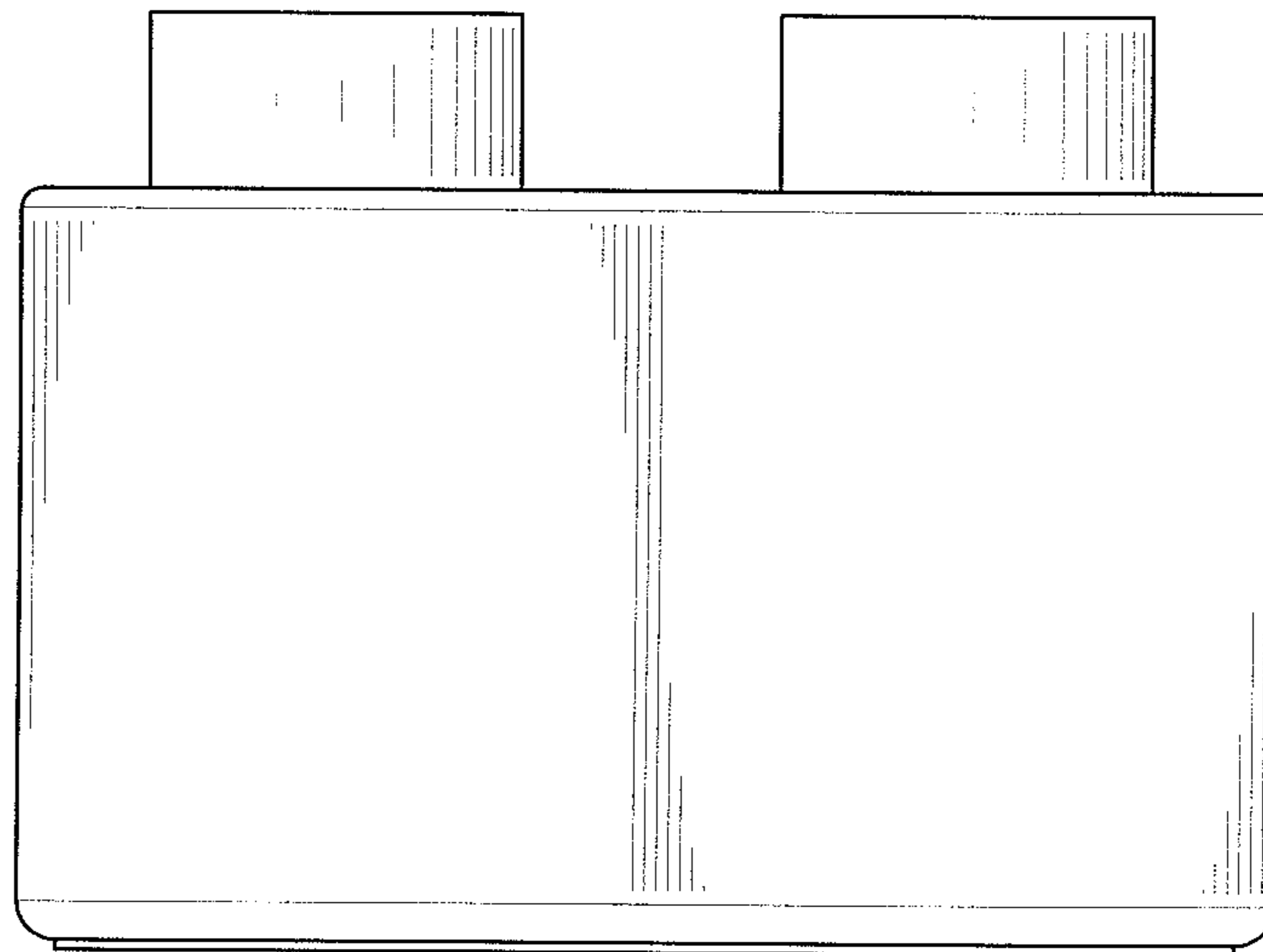


FIG.2

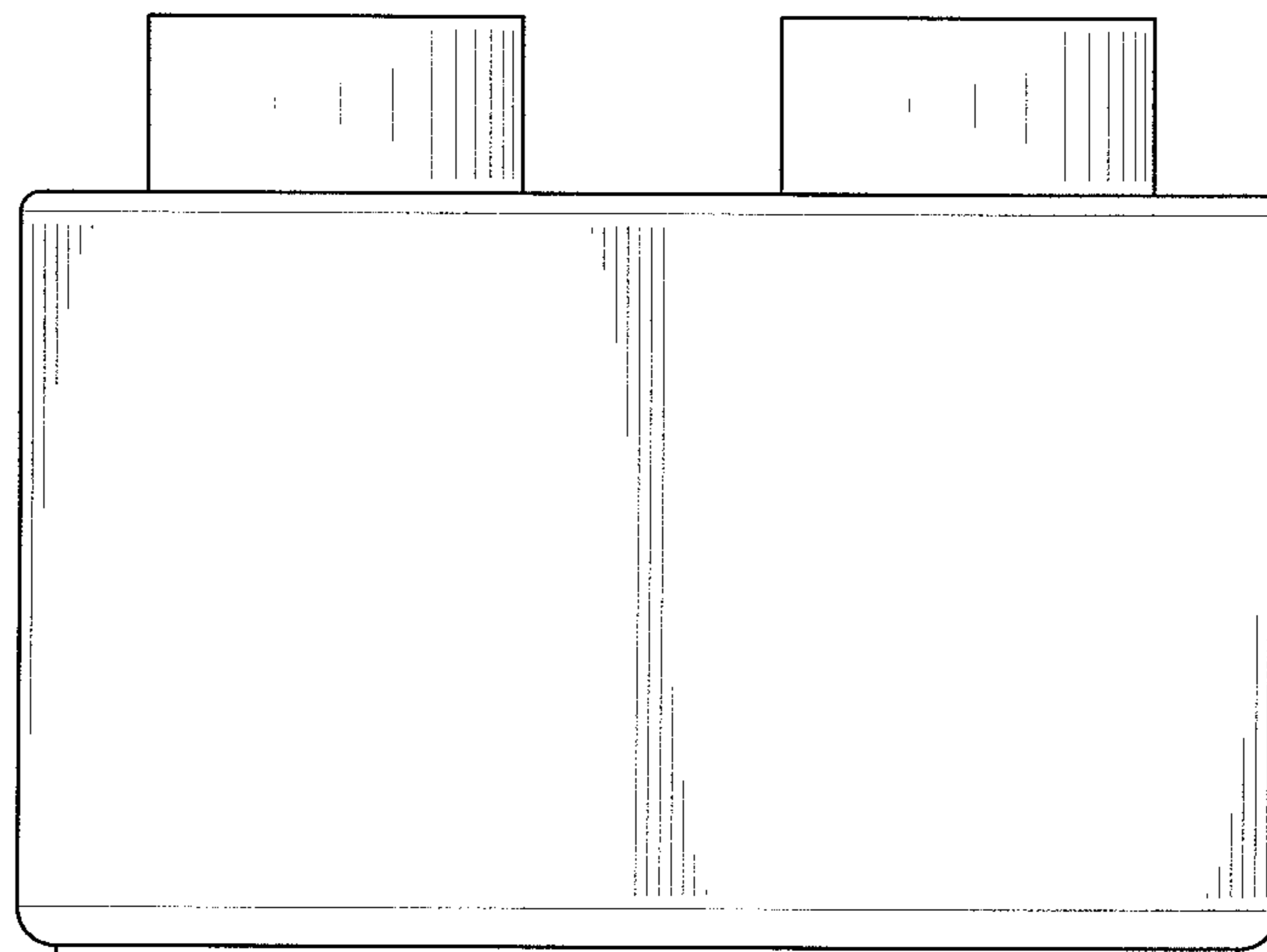


FIG.3

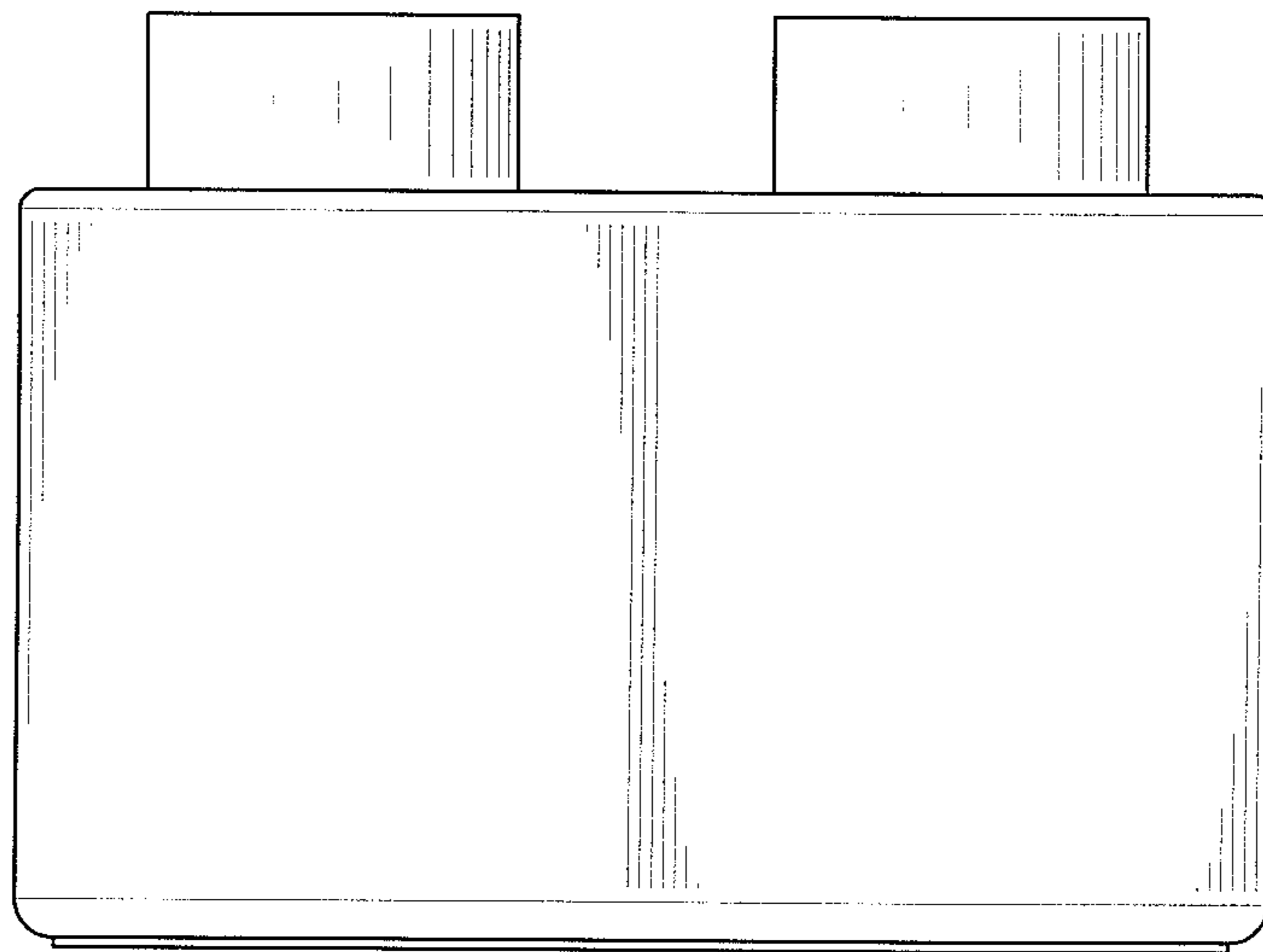


FIG.4

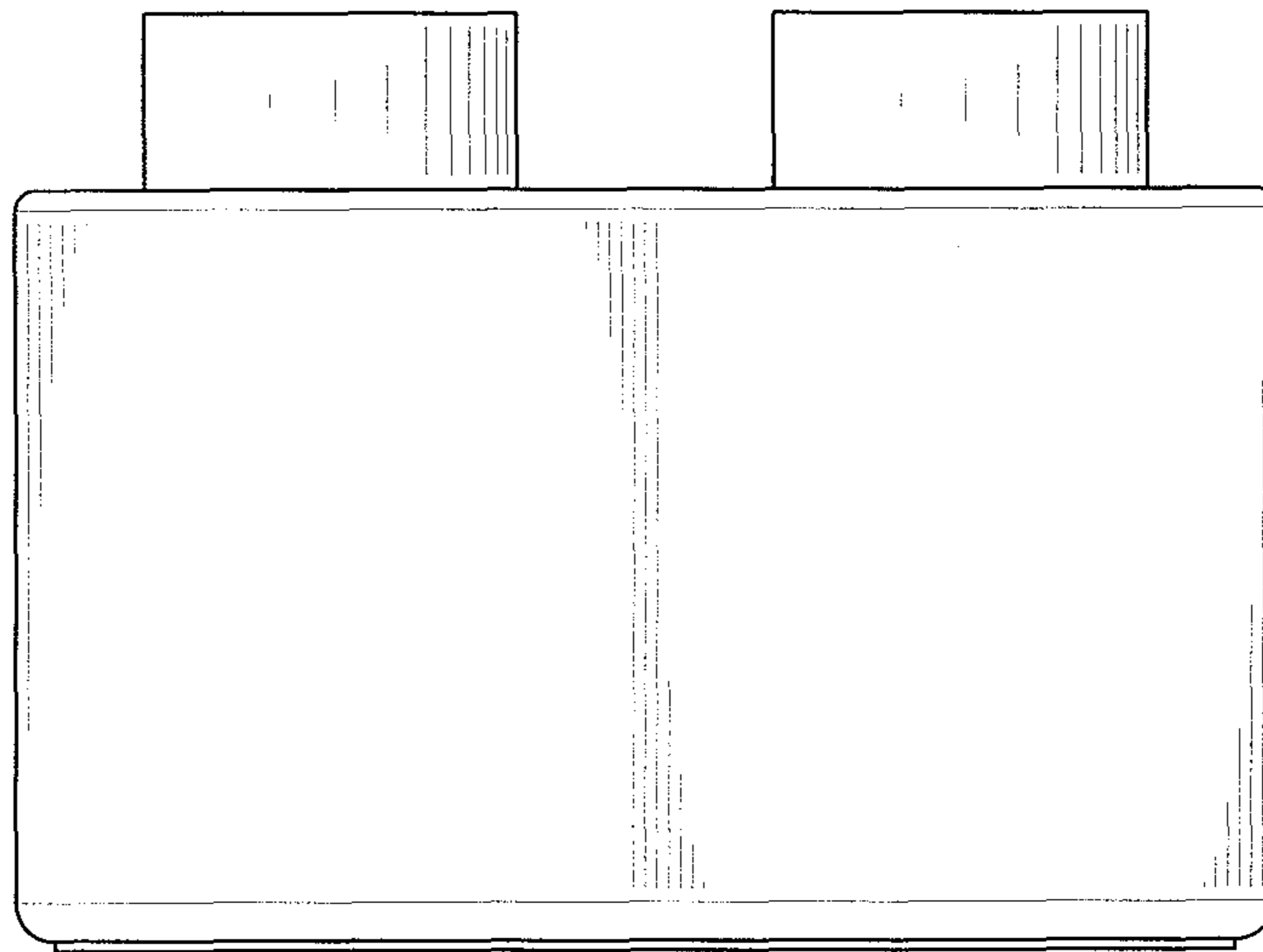


FIG.5

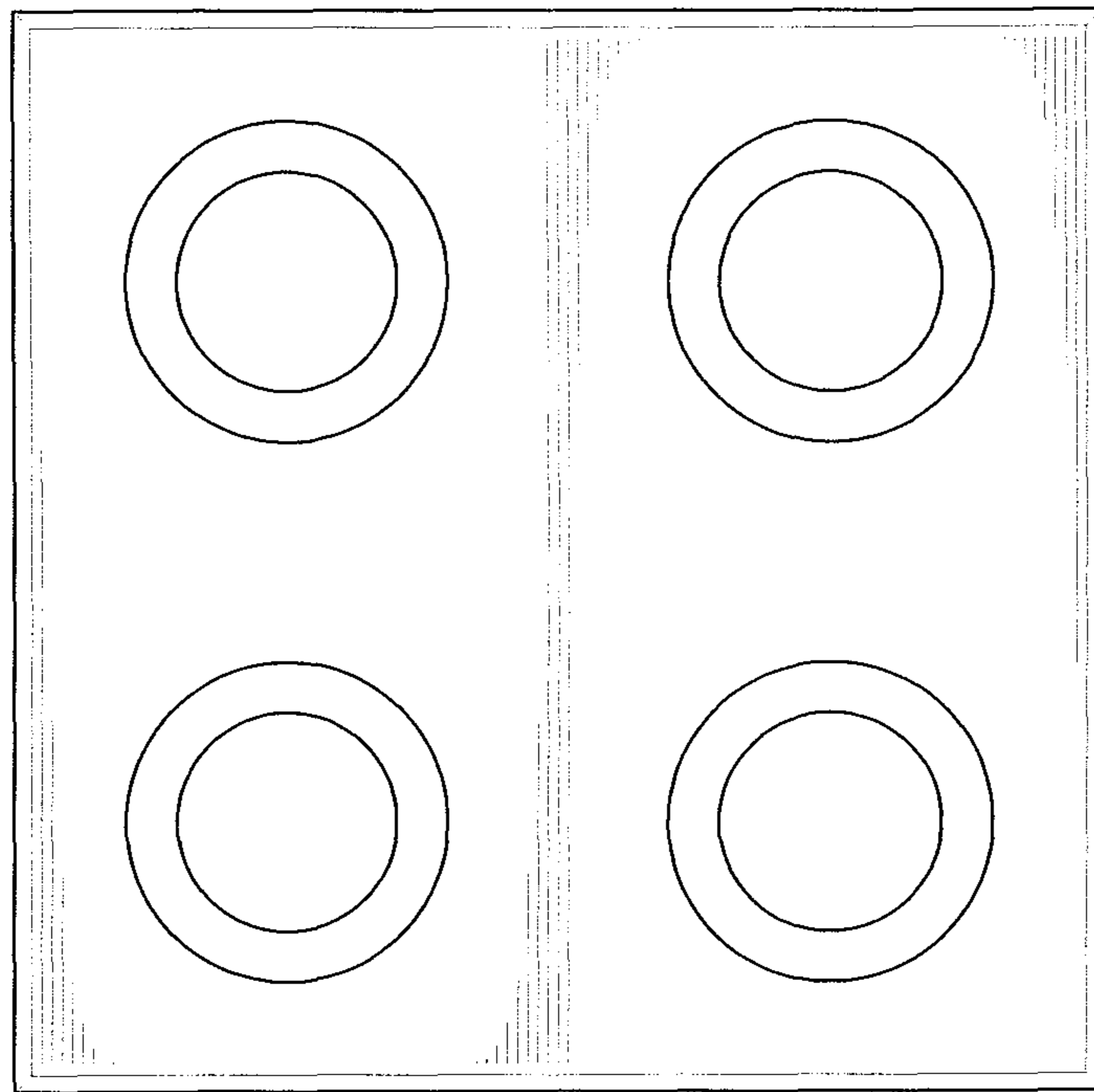


FIG.6

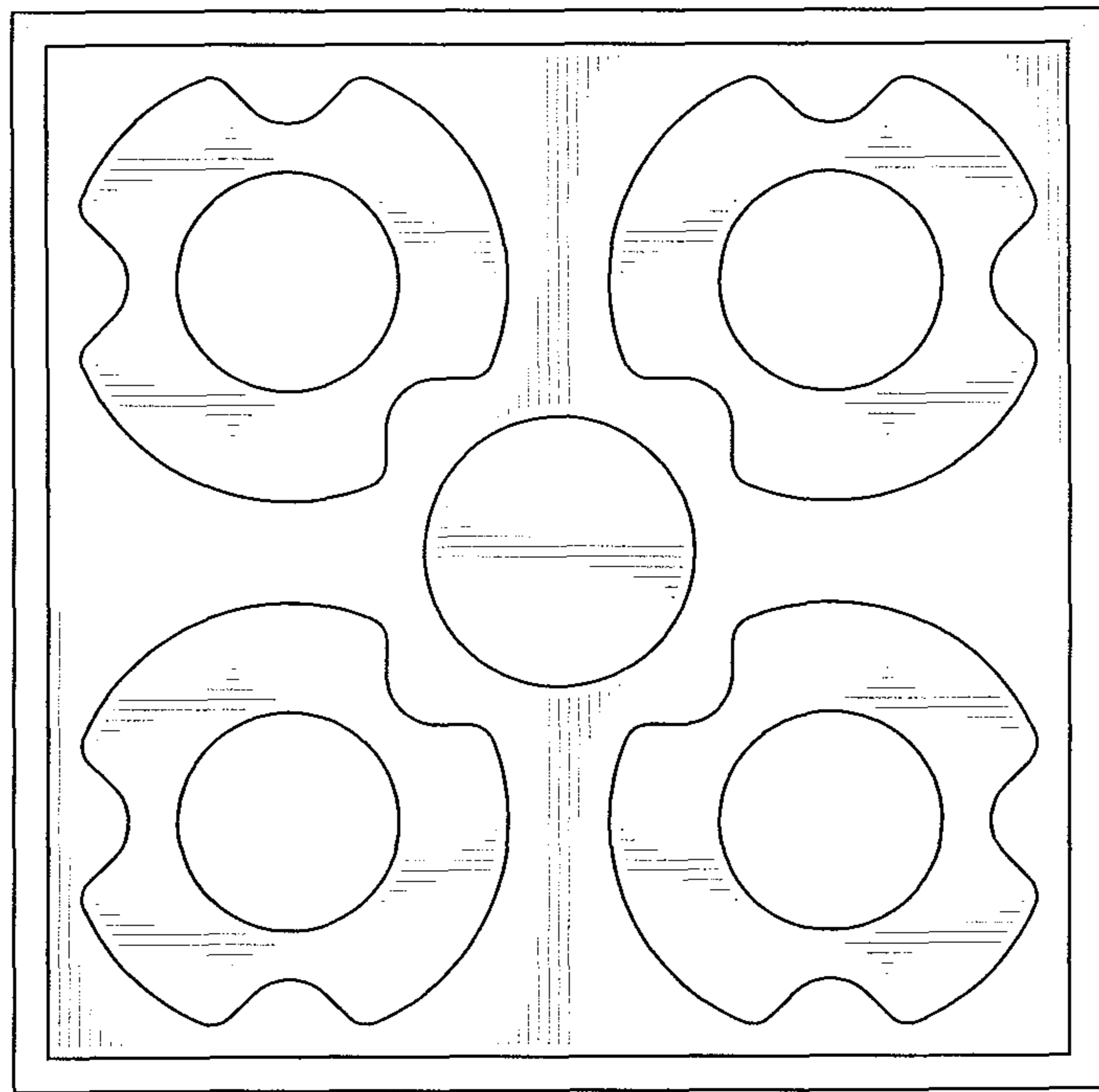


FIG. 7



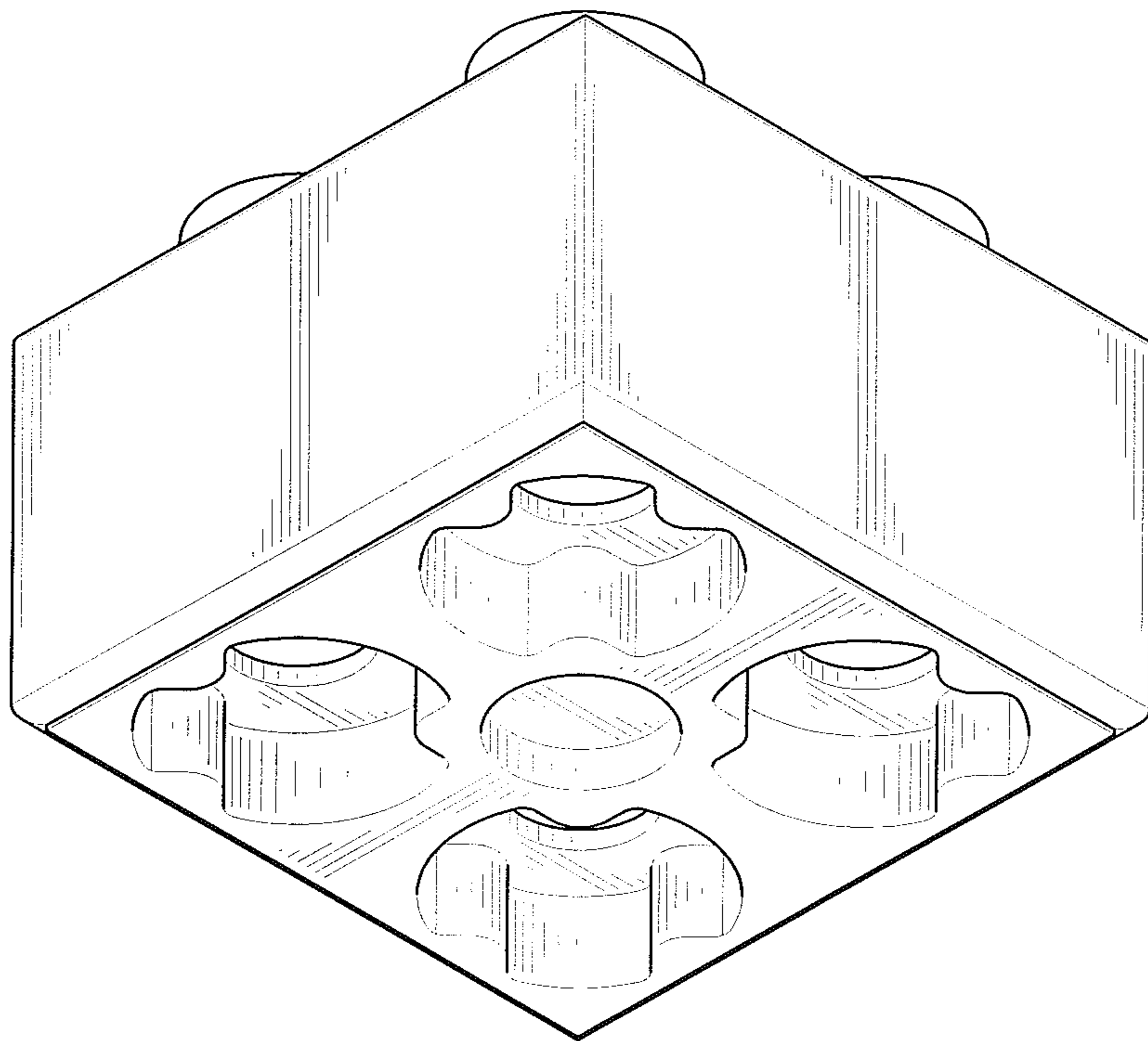


FIG.8