



US00D714400S

(12) **United States Design Patent**
Jensen

(10) **Patent No.:** **US D714,400 S**

(45) **Date of Patent:** **** Sep. 30, 2014**

(54) **SET FOR BUILDING TOY HOUSES**

(75) Inventor: **Anders Buus Jensen**, Aalborg (DK)

(73) Assignee: **iNordvativ A/S**, Aalborg (DK)

(**) Term: **14 Years**

(21) Appl. No.: **29/408,550**

(22) Filed: **Dec. 14, 2011**

(30) **Foreign Application Priority Data**

Jun. 22, 2011 (EM) 001283360-0001

(51) **LOC (10) Cl.** **21-01**

(52) **U.S. Cl.**
USPC **D21/484**

(58) **Field of Classification Search**

USPC D21/484, 845, 856, 489, 491, 493, 494,
D21/500-502, 504, 506, 507, 811, 826;
D25/113; D30/108; 482/35; 446/69,
446/85, 100-128, 487, 488

See application file for complete search history.

(56) **References Cited**

U.S. PATENT DOCUMENTS

2,092,155	A *	9/1937	Hackett	119/498
D251,265	S *	3/1979	Shorten	D21/511
4,978,301	A *	12/1990	Dodge	434/96
D326,689	S *	6/1992	Farinelli, Jr.	D21/511
D335,904	S *	5/1993	Krebs	D21/511
D443,732	S *	6/2001	Gelhar	D30/108
7,104,864	B1 *	9/2006	Liou	446/221
D677,342	S *	3/2013	Hall	D21/511

* cited by examiner

Primary Examiner — Cynthia M Chin

(74) *Attorney, Agent, or Firm* — William J. Sapone; Ware Fressola; Maguire & Barber LLP

(57) **CLAIM**

The ornamental design for a set for building toy houses, as shown and described.

DESCRIPTION

FIG. 1 is a front view of a first part with a central opening for use in a set for building toy houses, showing my new design, the back view being a mirror image thereof;

FIG. 2 is a right side view thereof, the left side being a mirror image thereof;

FIG. 3 is a bottom view thereof, the top view being a mirror image thereof;

FIG. 4 is a front view of a second part with an end opening for use in a set for building toy houses, the back view being a mirror image thereof;

FIG. 5 is a right side view thereof, the left side view being a mirror image thereof;

FIG. 6 is a top view thereof;

FIG. 7 is a bottom view thereof;

FIG. 8 is a third part with no opening for use in a set for building toy houses, the back view being a mirror image thereof;

FIG. 9 is a right side view thereof, the left side view being a mirror image thereof;

FIG. 10 is a top view thereof, the bottom view being a mirror image thereof;

FIG. 11 is a fourth part with a side opening for use in a set for building toy houses, the back view being a mirror image thereof;

FIG. 12 is a right side view thereof;

FIG. 13 is a top view thereof, the bottom view being a mirror image thereof;

FIG. 14 is a left side view thereof;

FIG. 15 is an enlarged perspective view of a fifth part being a single walled joining part for use in a set for building toy houses;

FIG. 16 is an enlarged right side view thereof, the left side being a mirror image thereof;

FIG. 17 is an enlarged front view thereof;

FIG. 18 is an enlarged rear view thereof;

FIG. 19 is an enlarged bottom view thereof;

FIG. 20 is an enlarged top view thereof;

FIG. 21 is an enlarged perspective view of a sixth part being a right angle joining part for use in a set for building toy houses;

FIG. 22 is an enlarged right side view thereof;

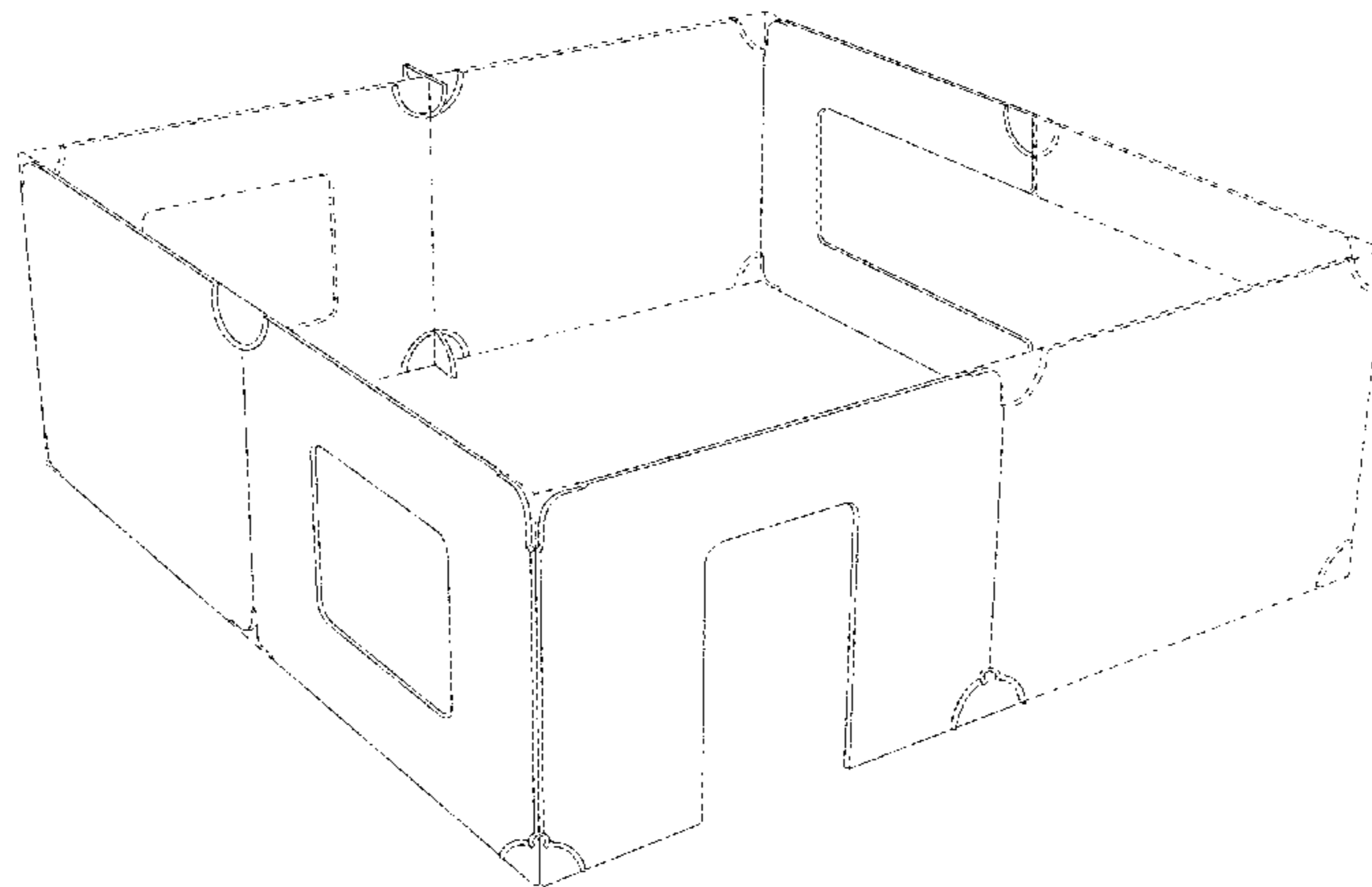


FIG. 23 is an enlarged left side view thereof;
FIG. 24 is an enlarged top view thereof;
FIG. 25 is an enlarged bottom view thereof;
FIG. 26 is an enlarged perspective view of a seventh part being an extended single wall joining part for use in a set for building toy houses;
FIG. 27 is an enlarged front view thereof, the back view being a mirror image thereof;
FIG. 28 is an enlarged right side view thereof, the left side view being a mirror image thereof;
FIG. 29 is an enlarged bottom view thereof;
FIG. 30 is an enlarged top view thereof;
FIG. 31 is an enlarged front view of an eight part being a double right angle joining part for use in a set for building toy houses;
FIG. 32 is an enlarged front perspective view thereof;
FIG. 33 is an enlarged rear view thereof;

FIG. 34 is an enlarged bottom view thereof;
FIG. 35 is an enlarged top view thereof;
FIG. 36 is an enlarged perspective view of a ninth part being a quadruple right angle joining part for use in a set for building toy houses;
FIG. 37 is an enlarged front view thereof, the rear view, right side view and left side views being mirror images thereof;
FIG. 38 is an enlarged bottom view thereof;
FIG. 39 is an enlarged top view thereof; and,
FIG. 40 is an exemplary toy house assembled from a set including the nine parts shown above, showing the environment in which each part may be used.
The broken lines showing additional parts of the set for building toy houses shown in FIG. 40 are included for the purpose of illustrating the invention in use and form no part of the claimed design.

1 Claim, 16 Drawing Sheets



Fig. 2

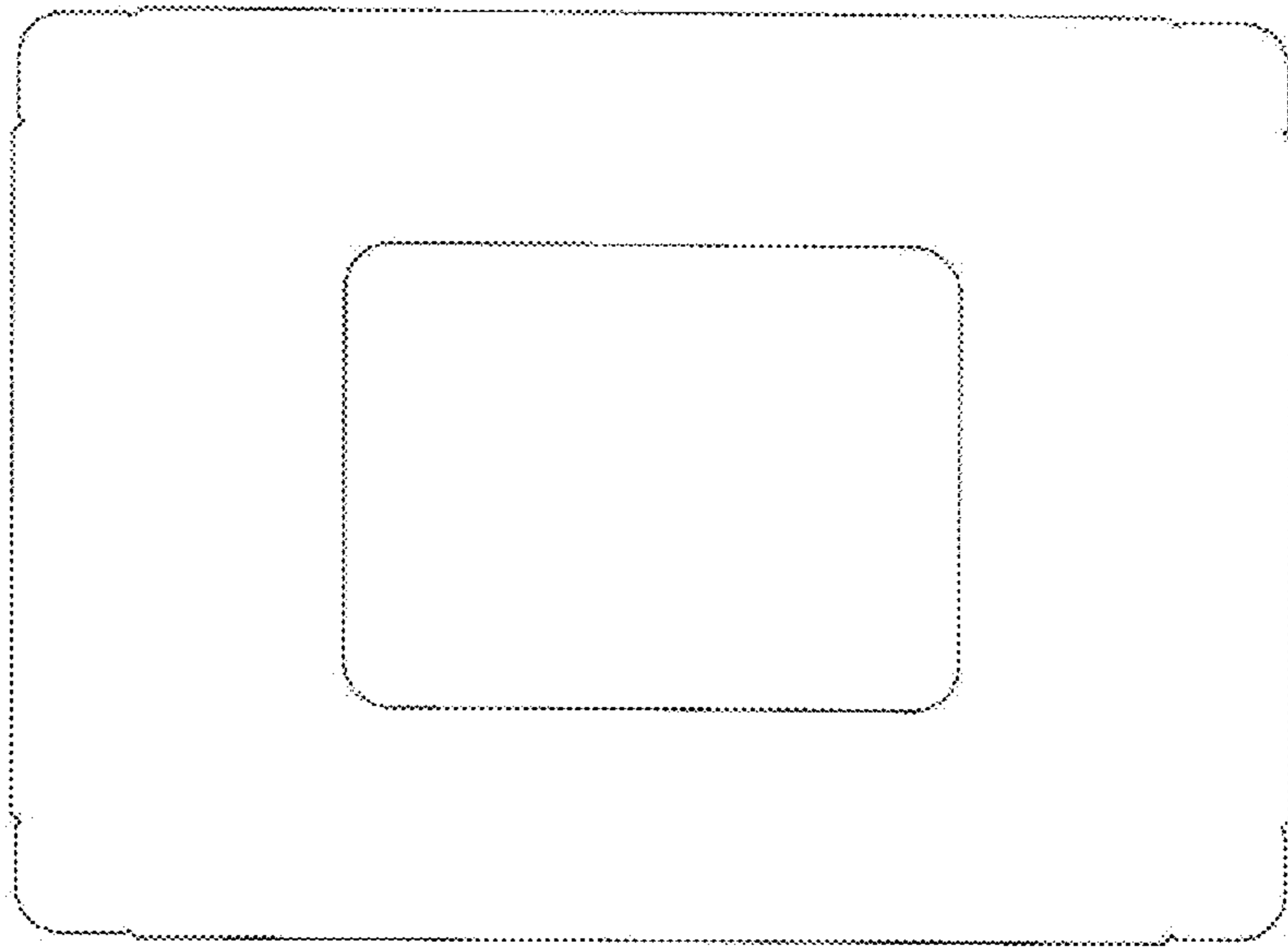


Fig. 1



Fig. 3

Fig. 6

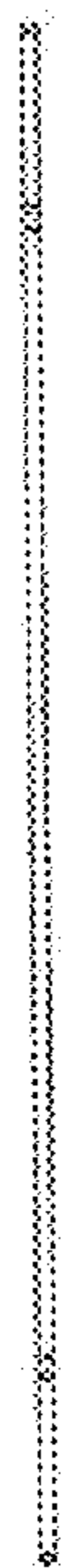
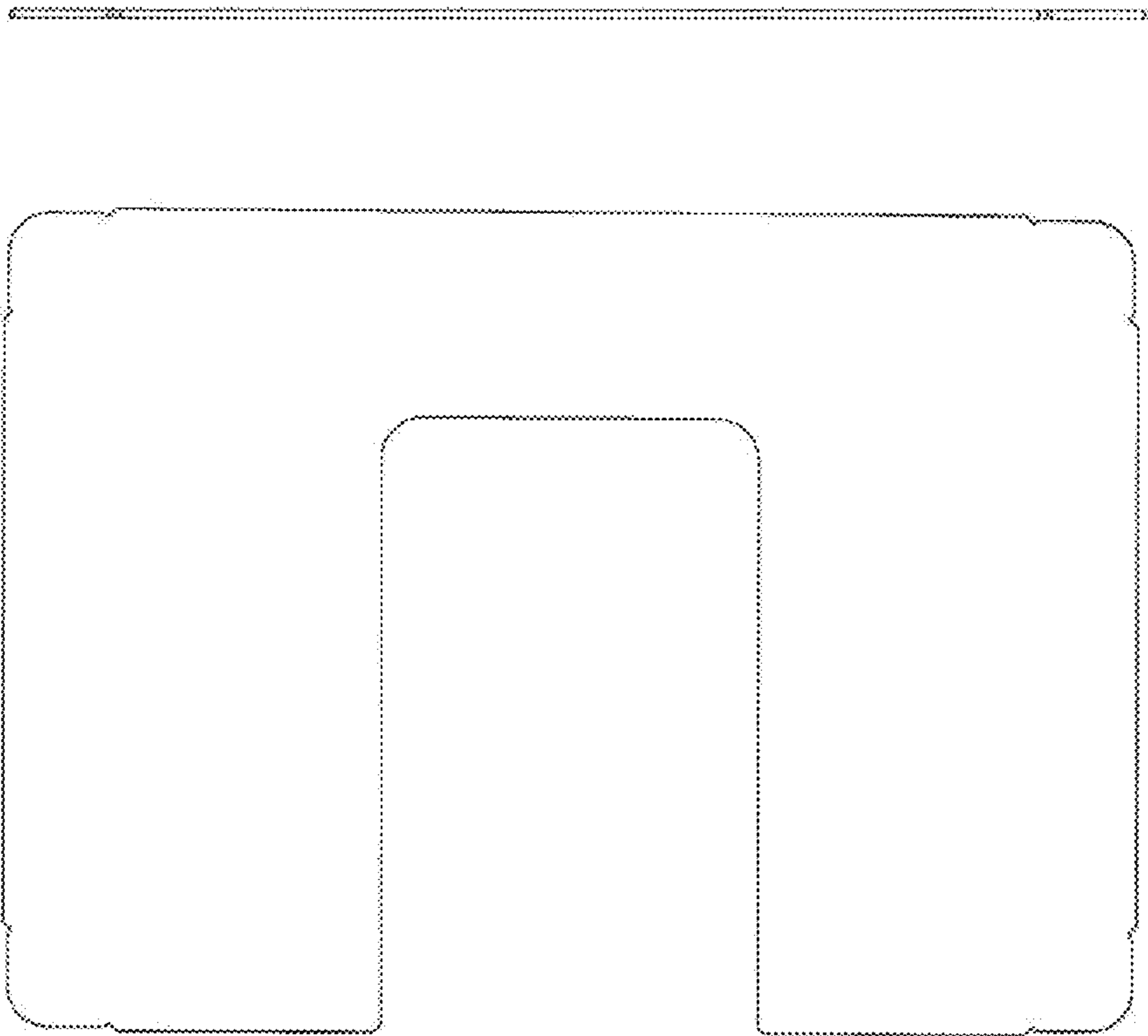


Fig. 5

Fig. 4



Fig. 7

Fig. 10

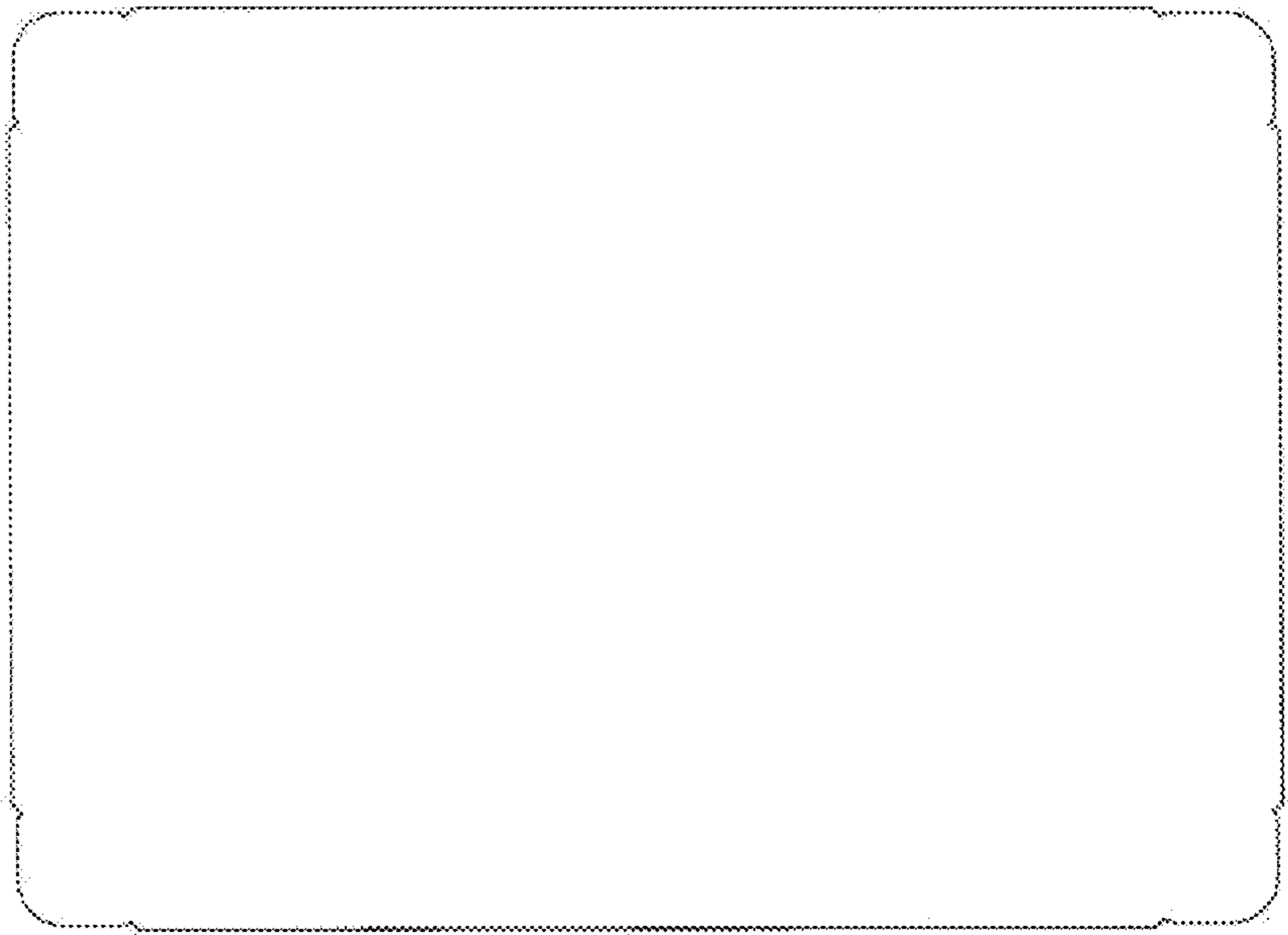
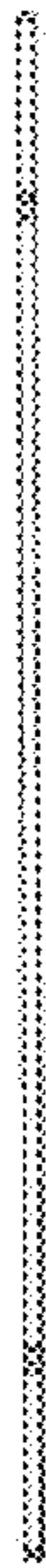
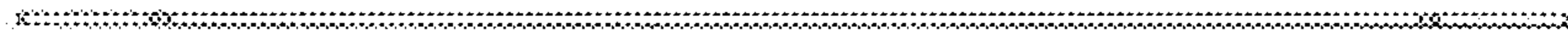


Fig. 9

Fig. 8

Fig. 13

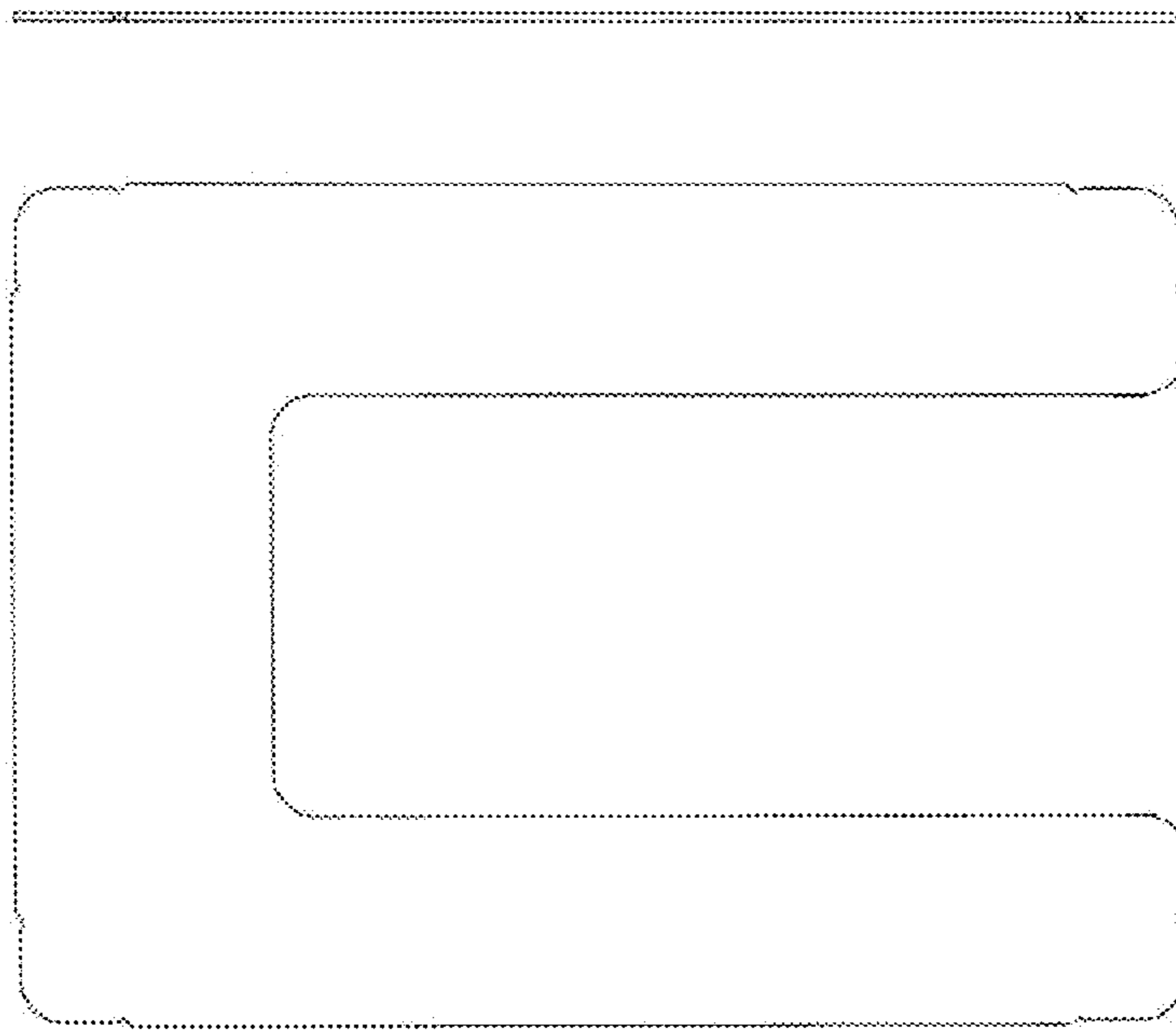
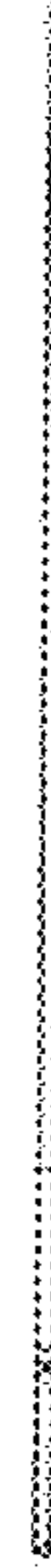
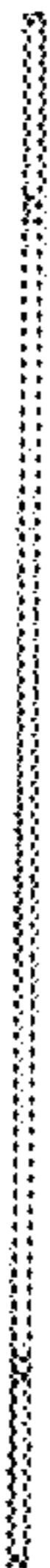


Fig. 12

Fig. 11

Fig. 14



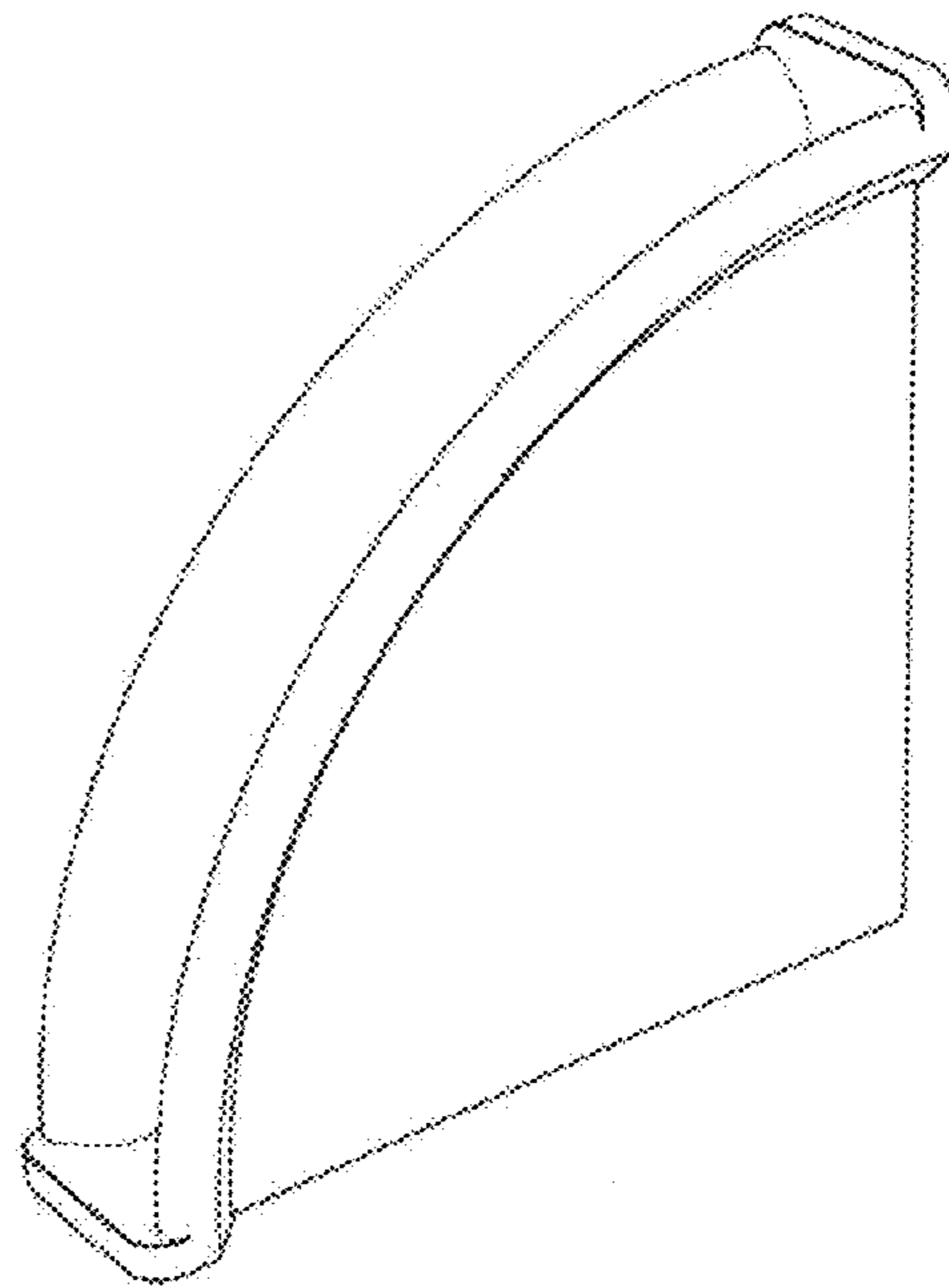


Fig. 15

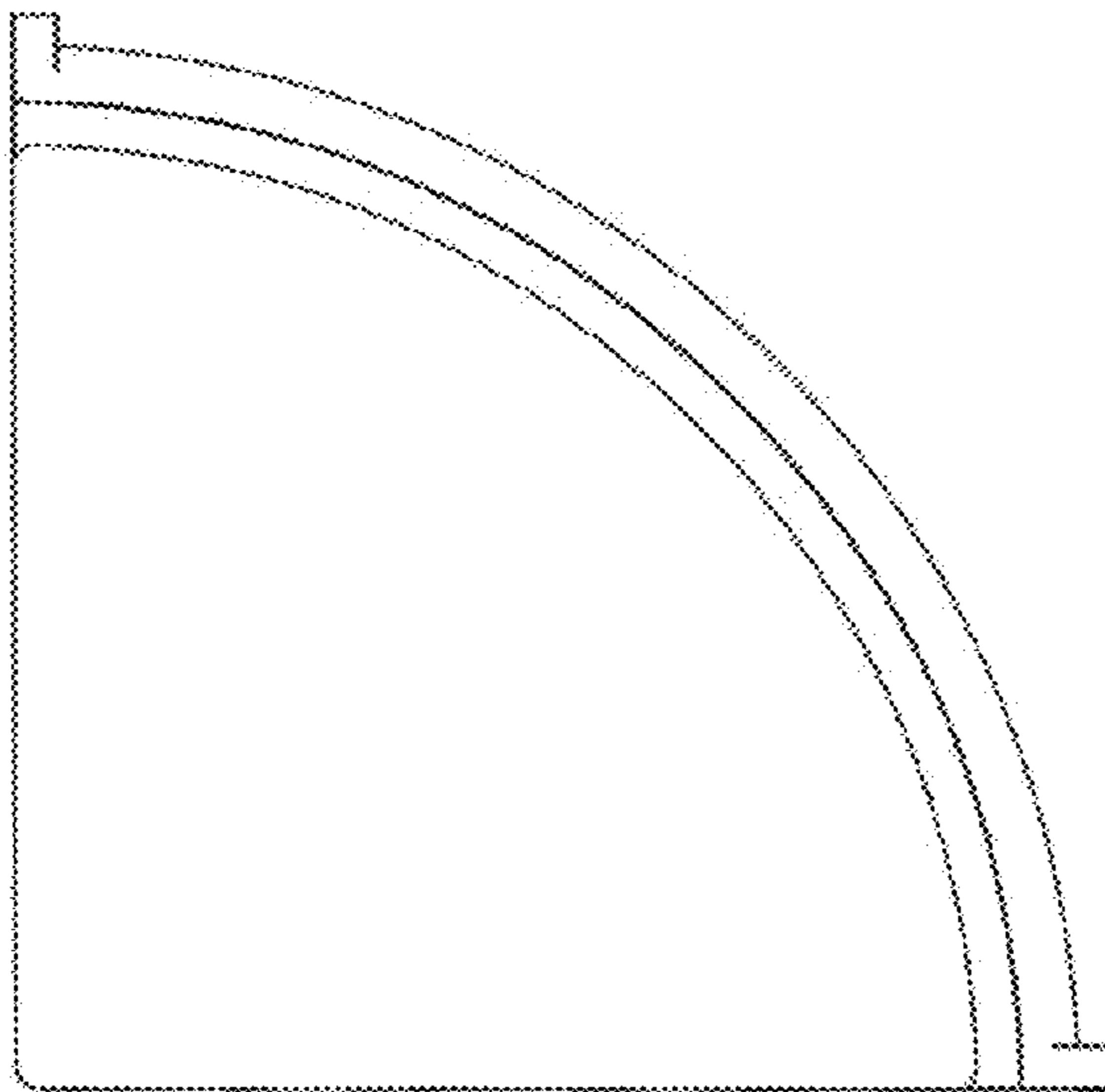


Fig. 16

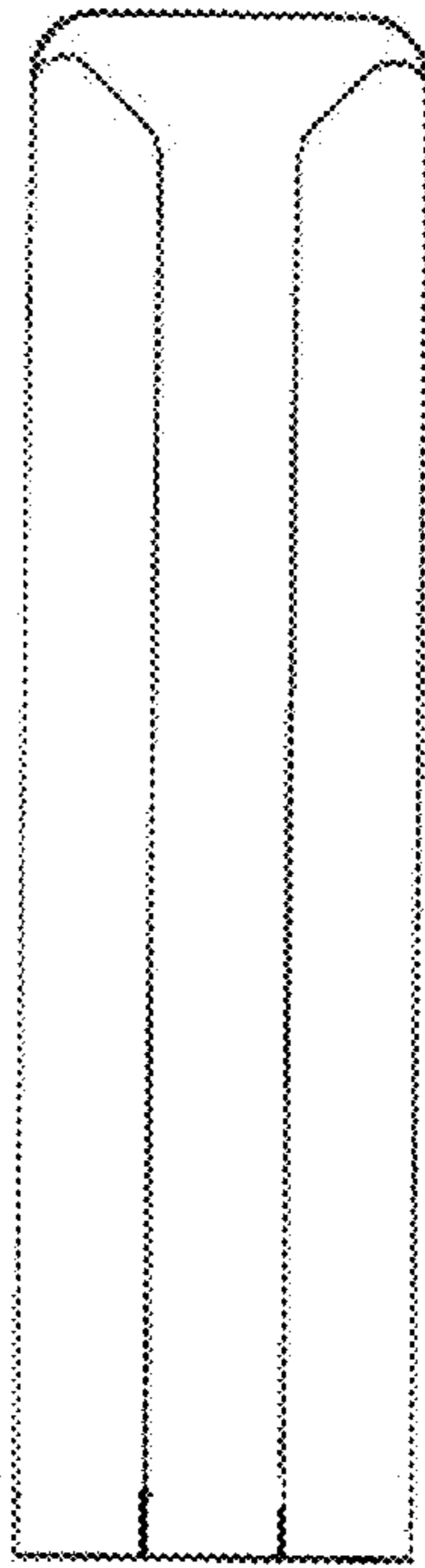


Fig. 17

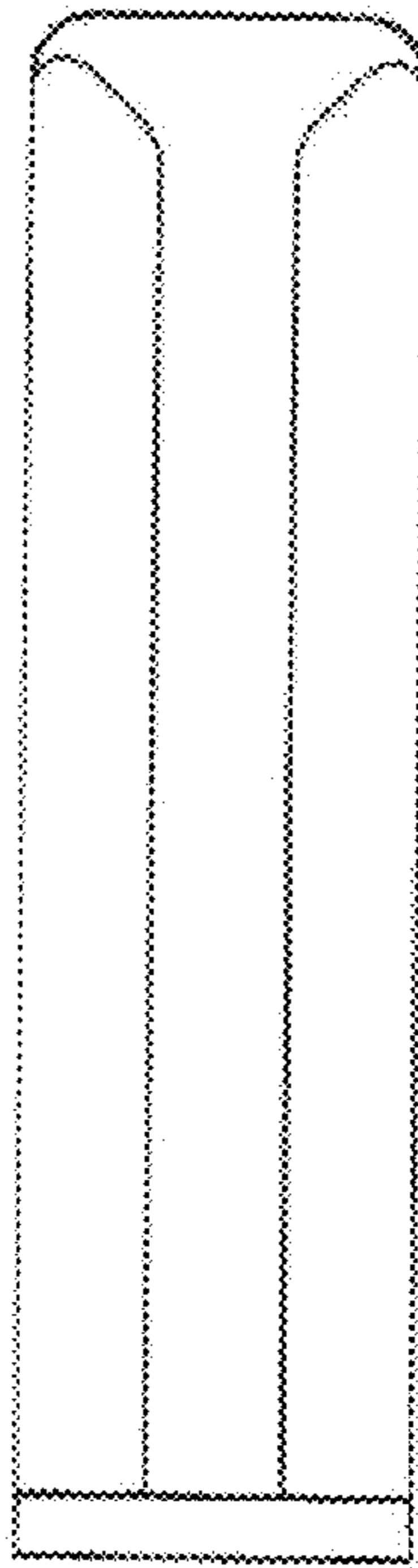


Fig. 18

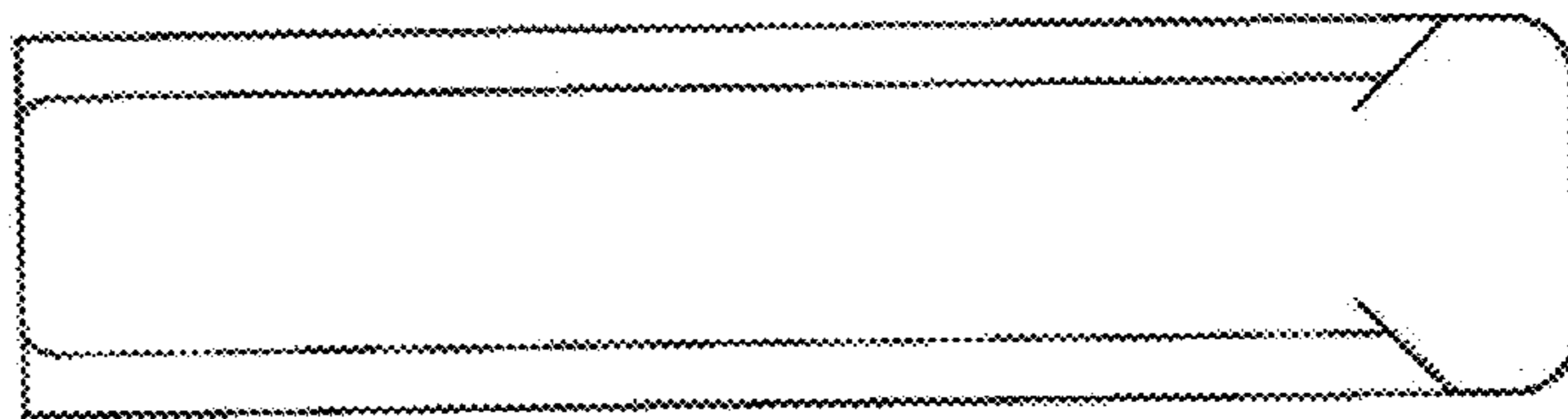


Fig. 19

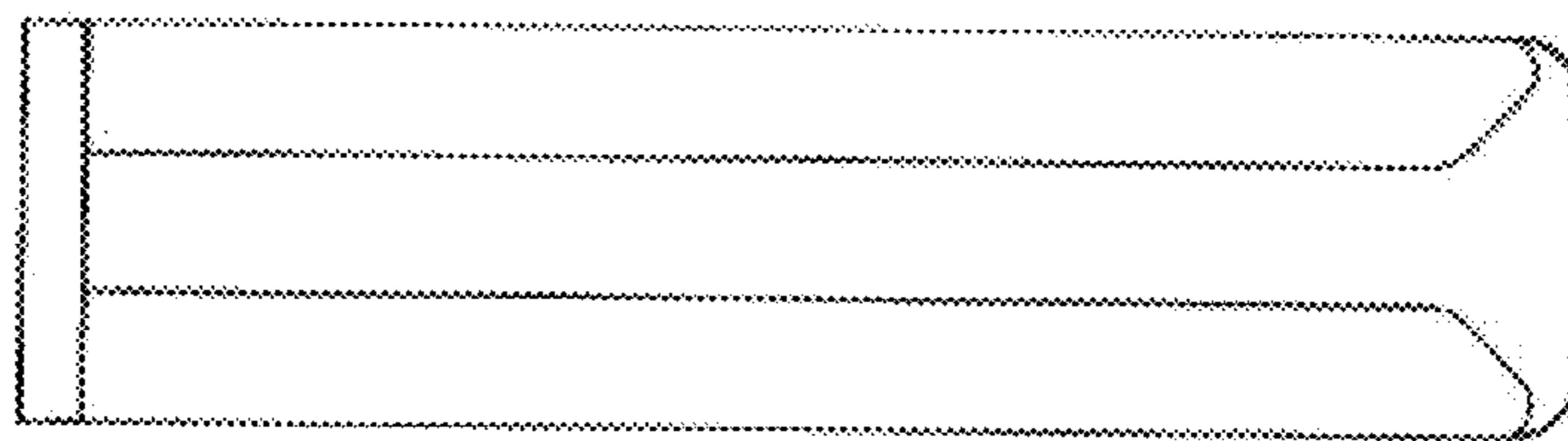


Fig. 20

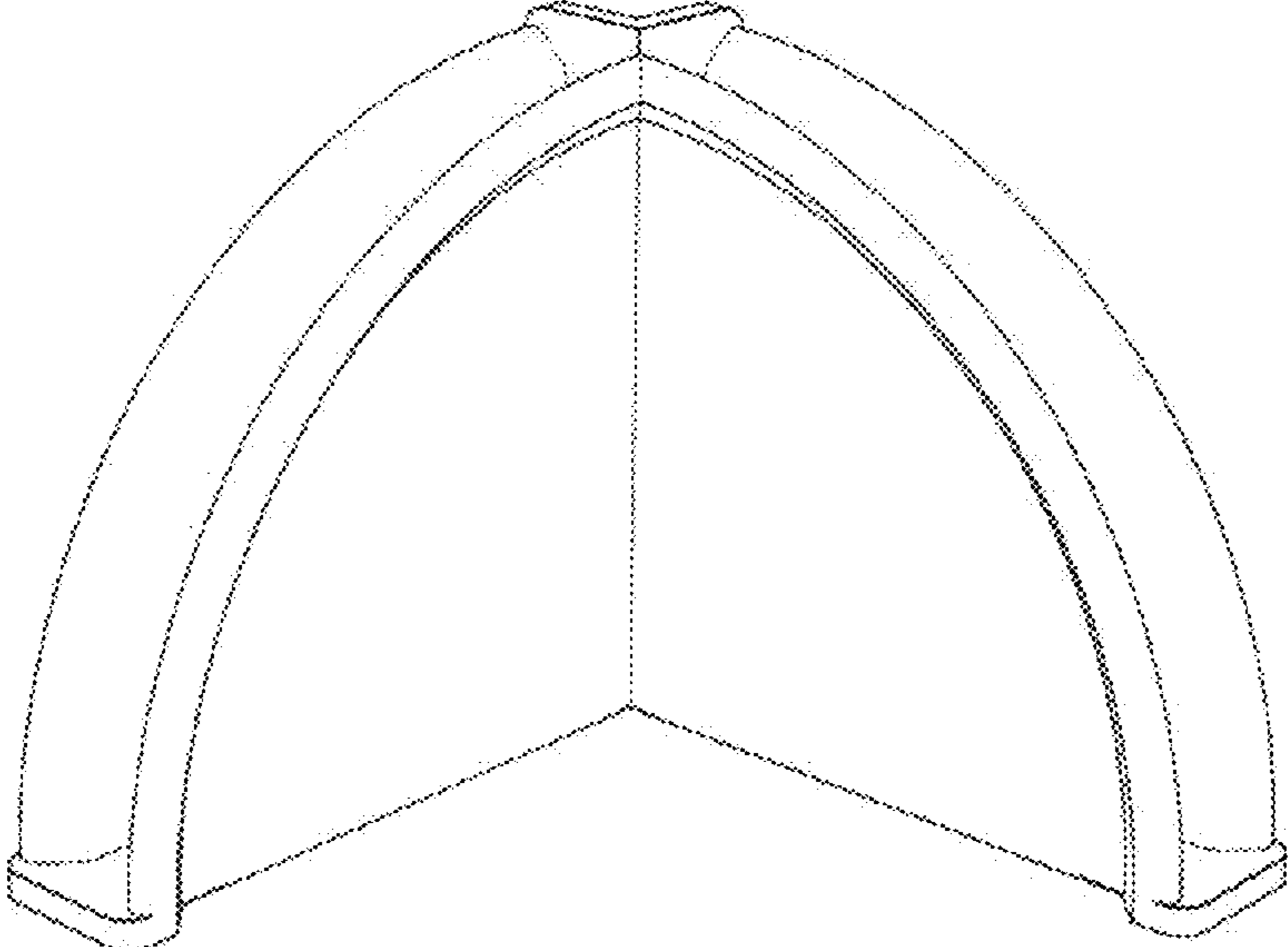


Fig. 21

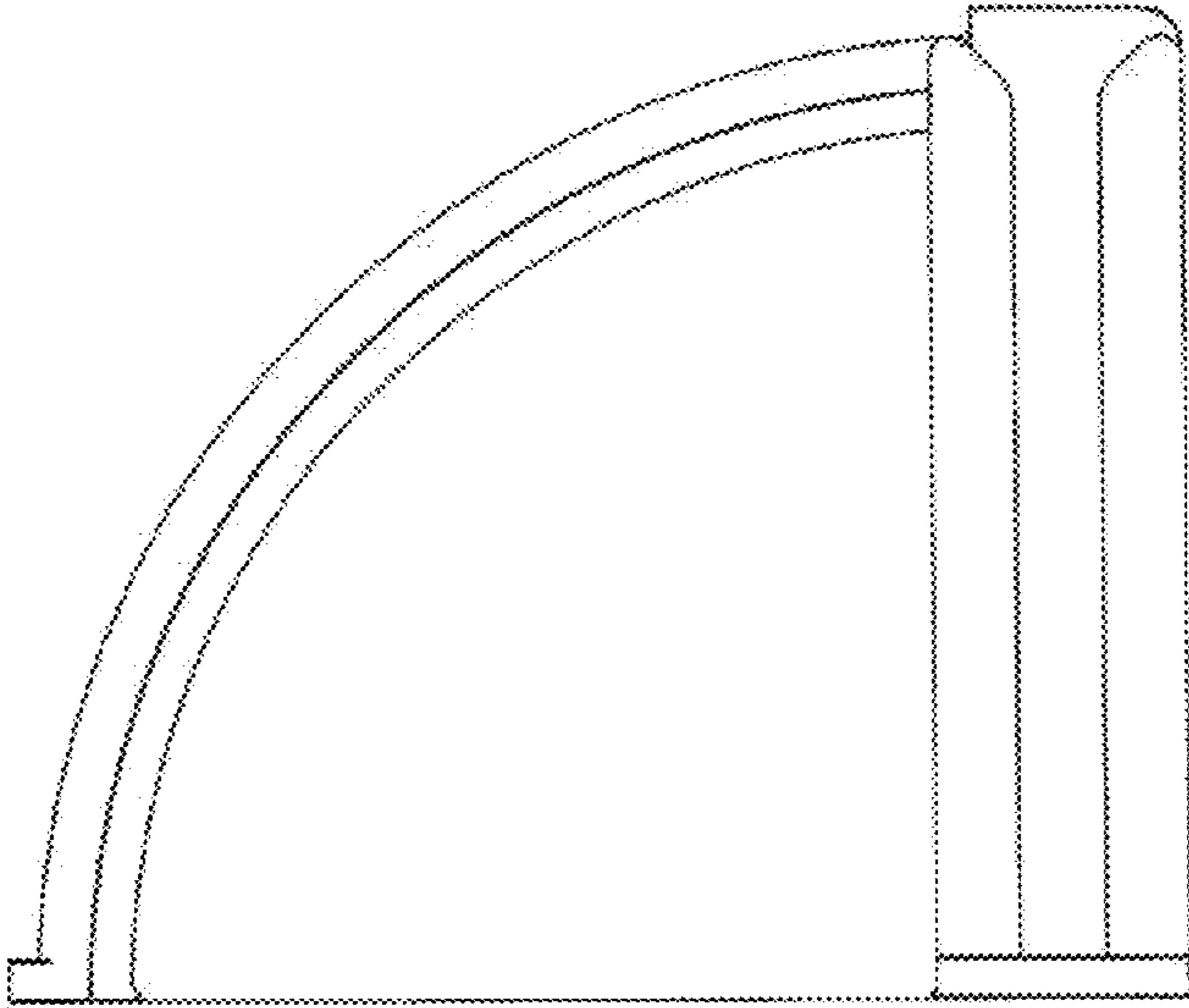


Fig. 22

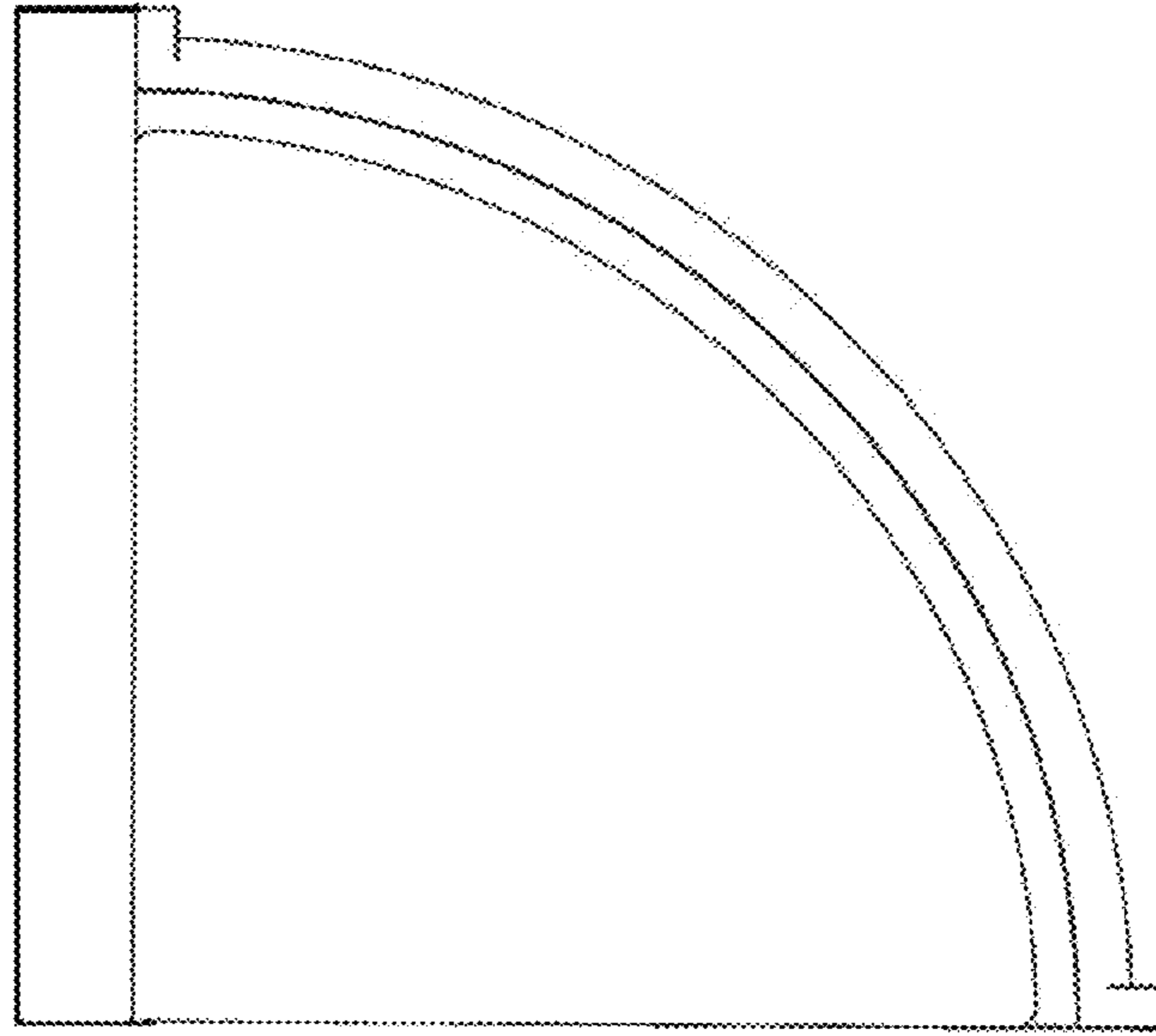


Fig. 23

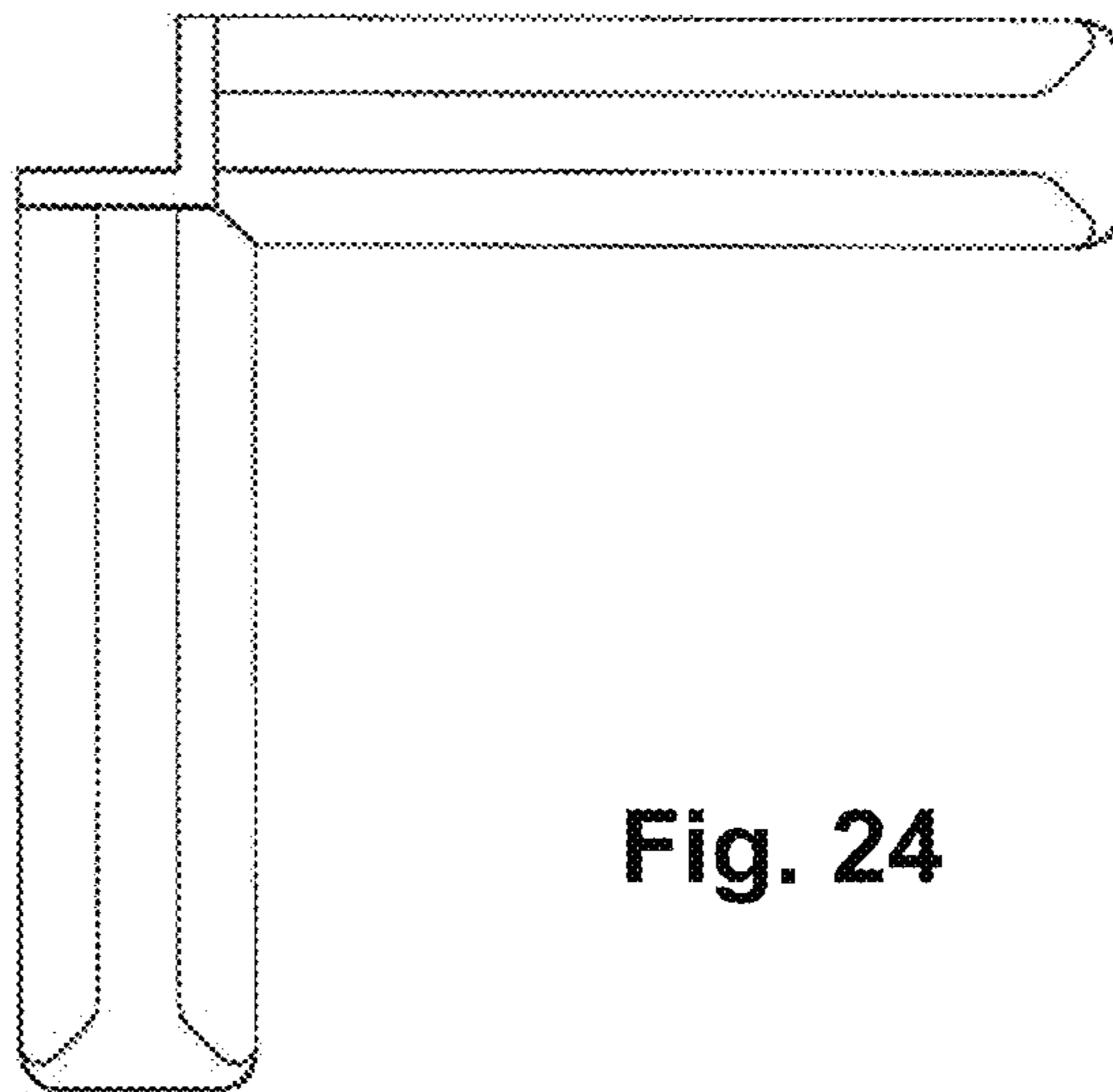


Fig. 24

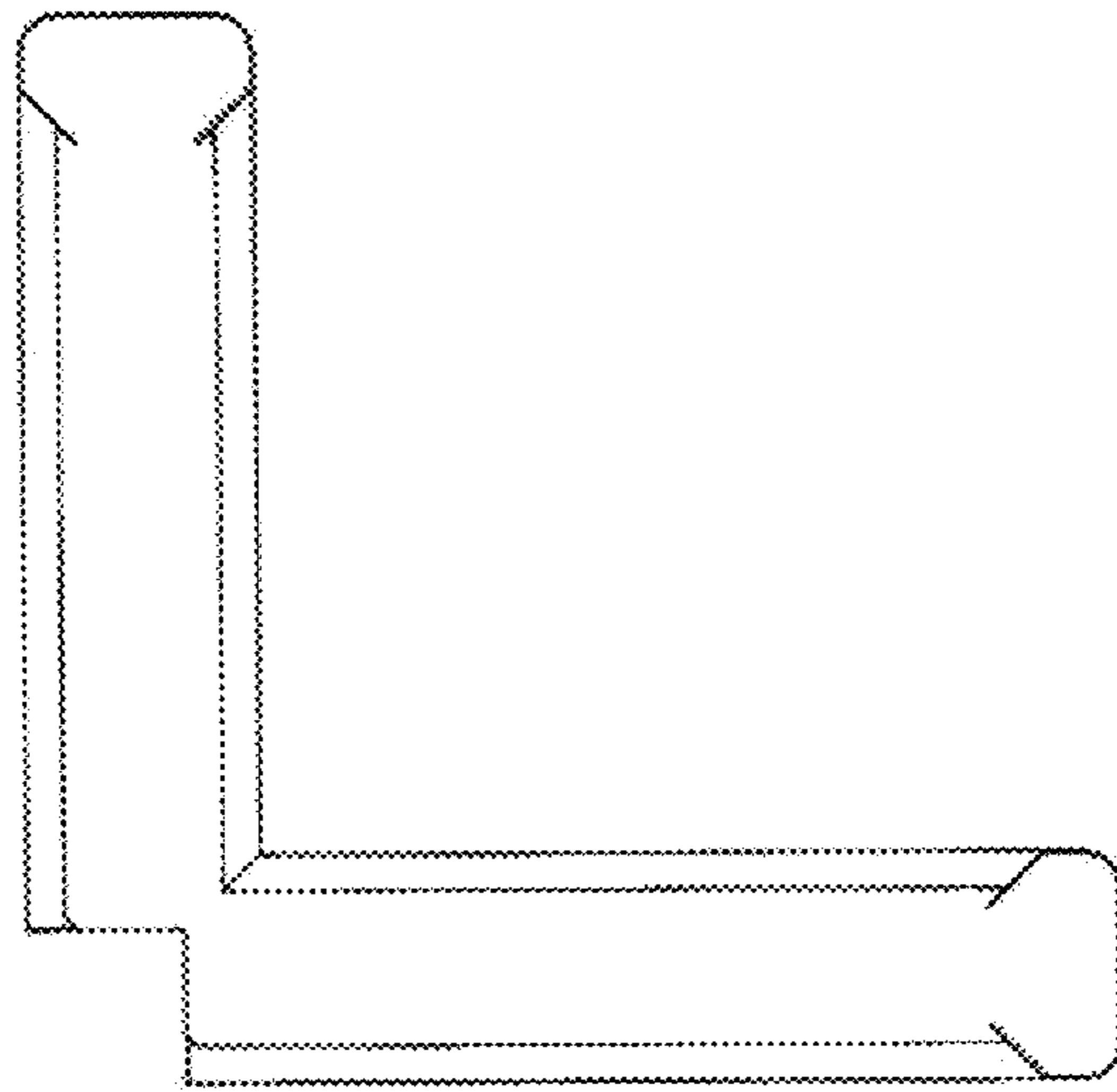


Fig. 25

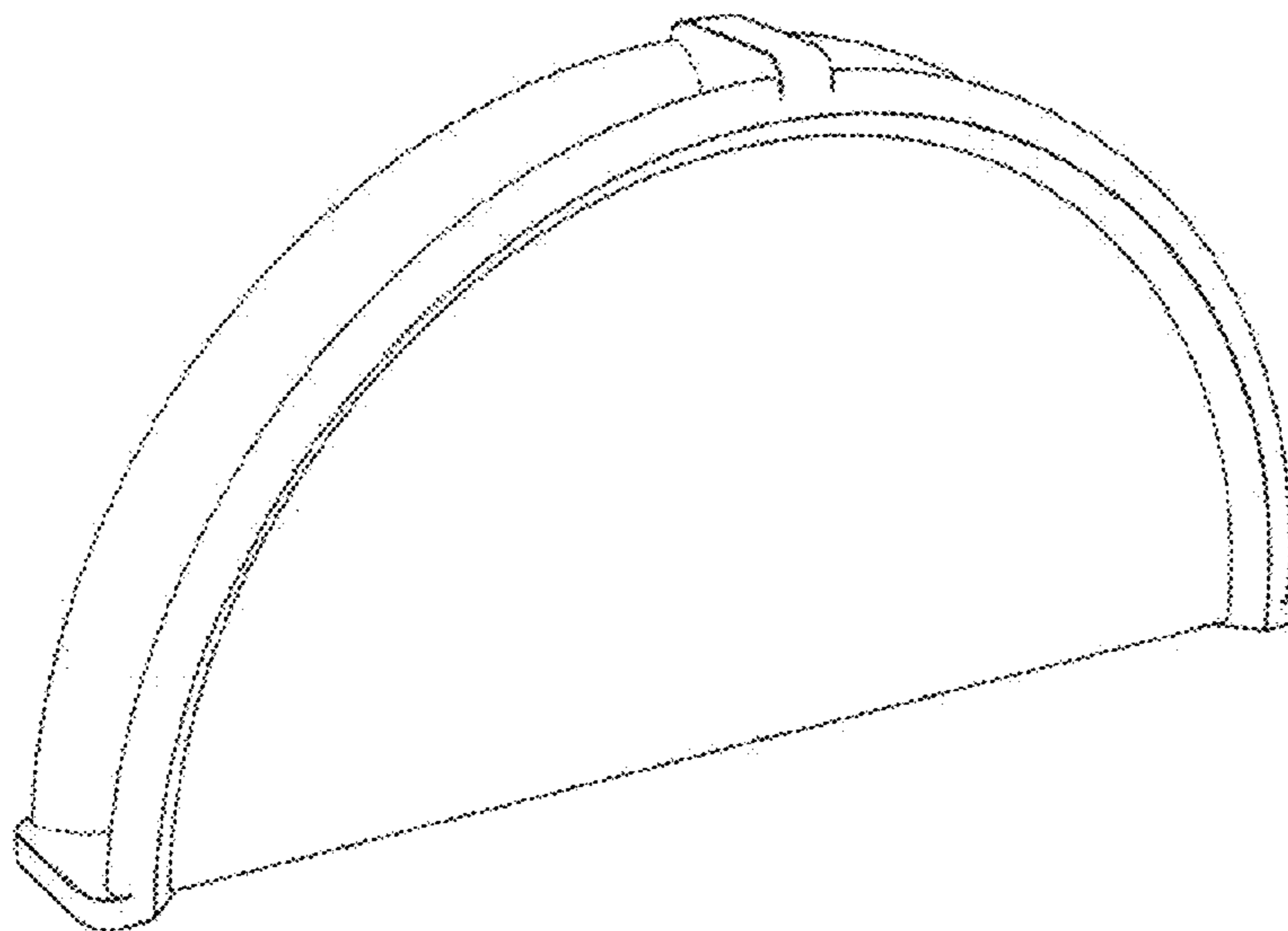


Fig. 26

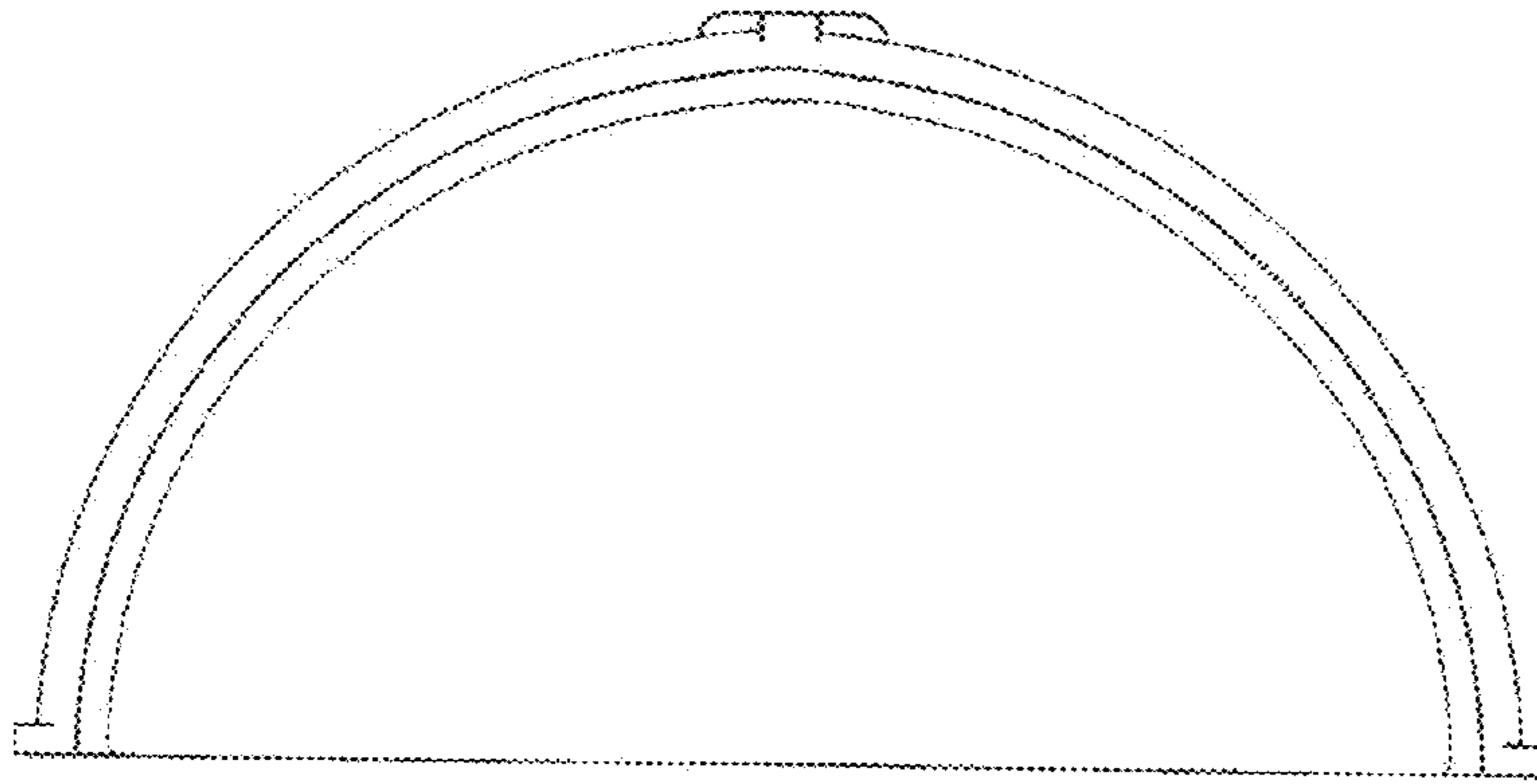


Fig. 27

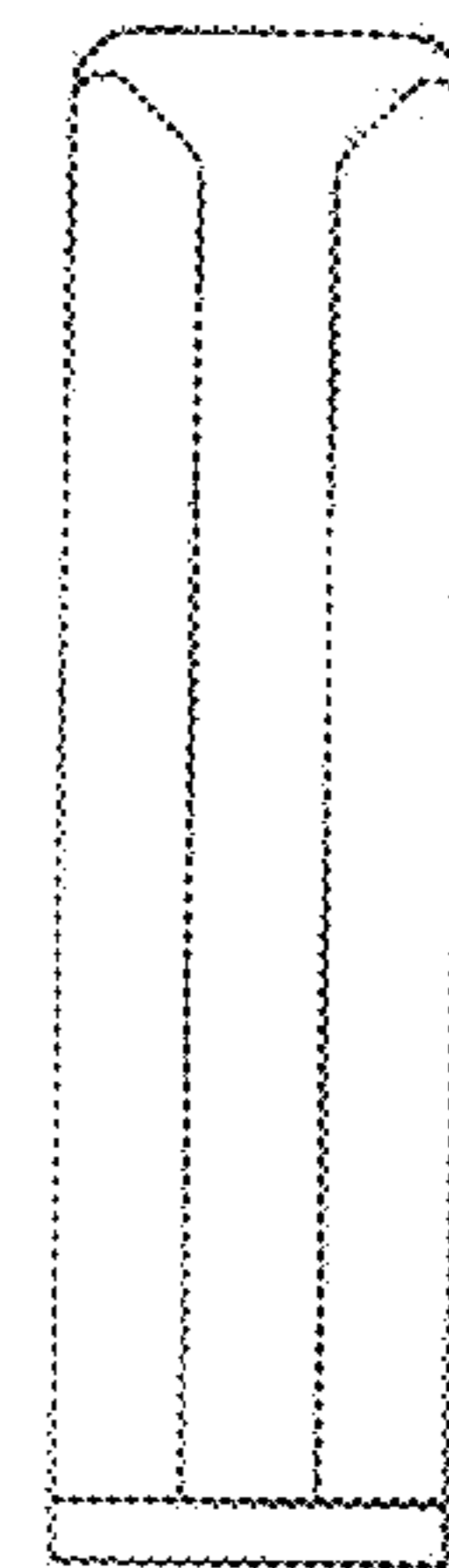


Fig. 28

Fig. 29

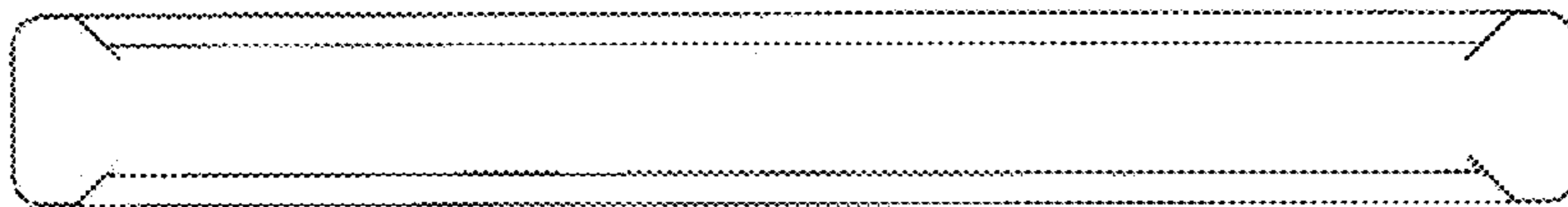
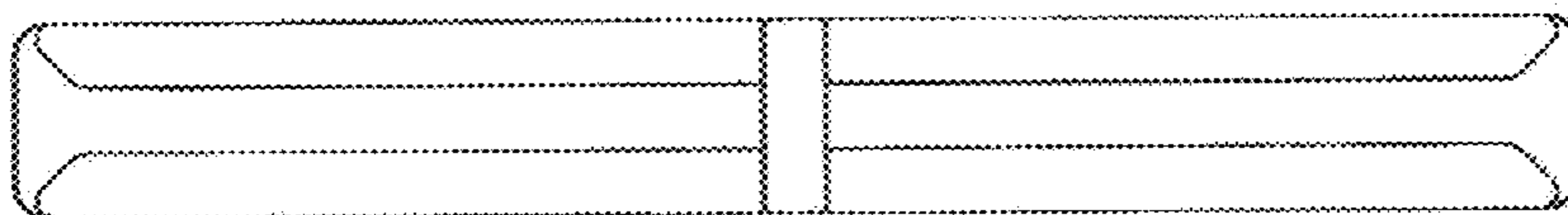


Fig. 30



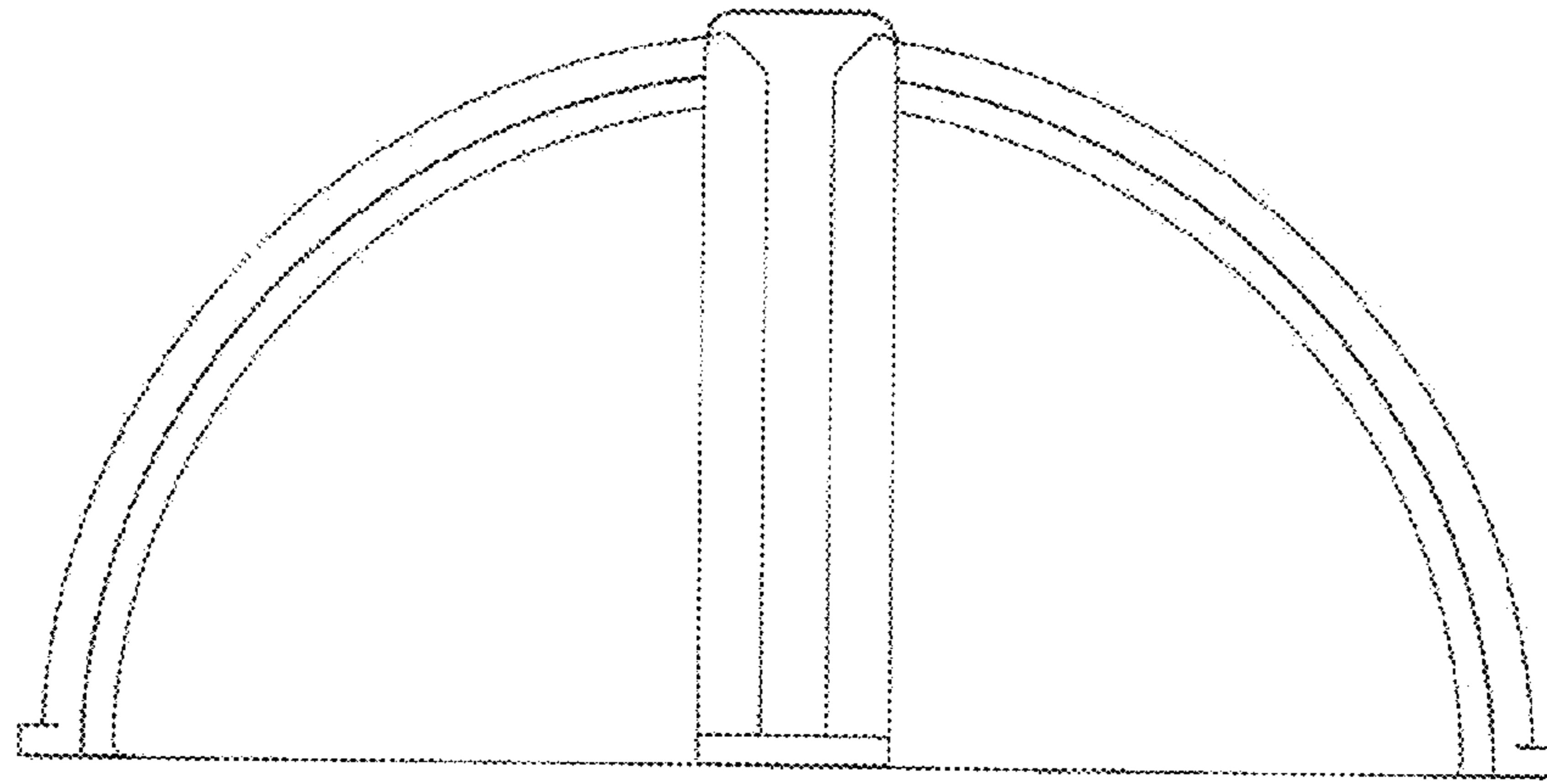


Fig. 31

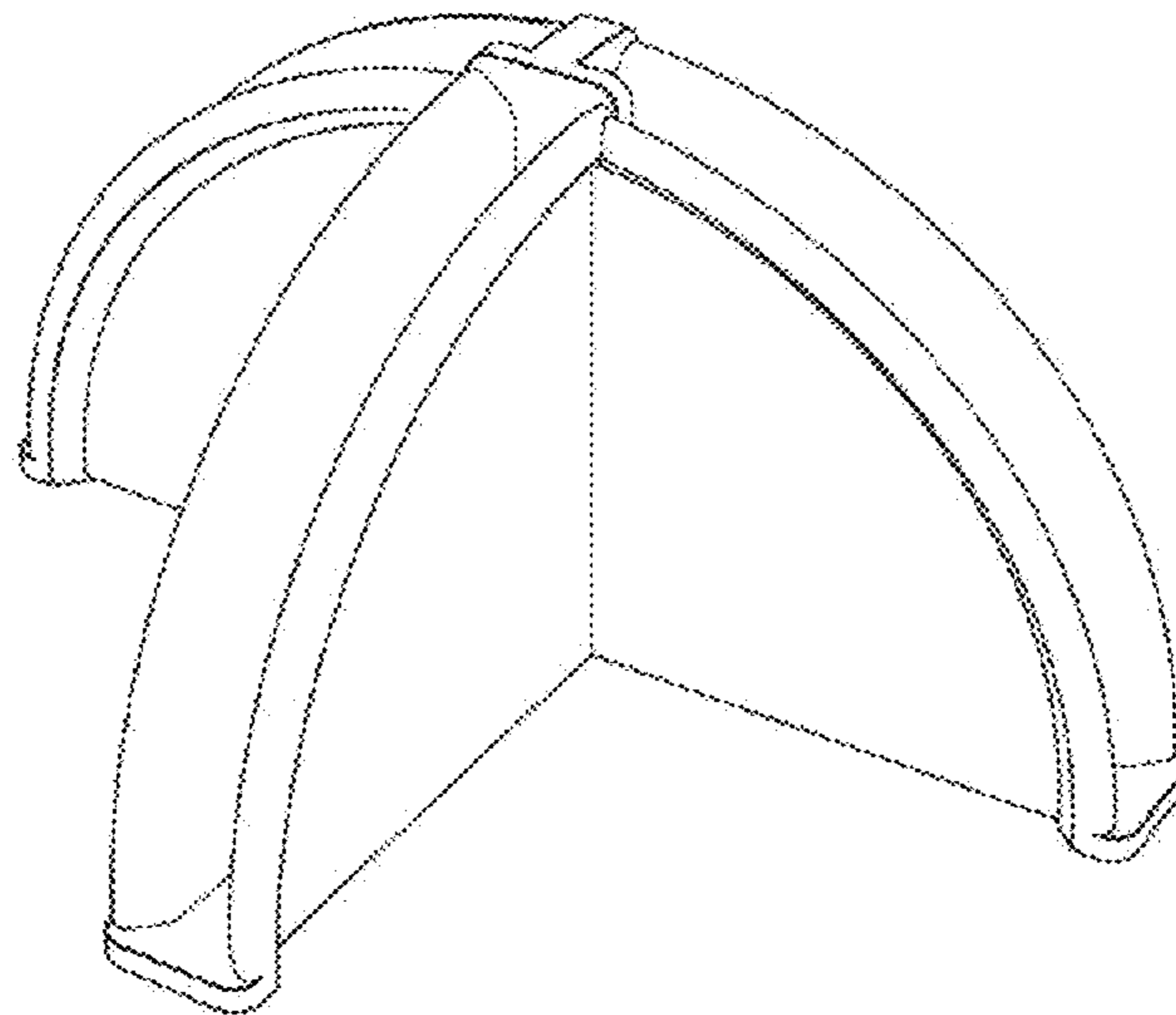


Fig. 32

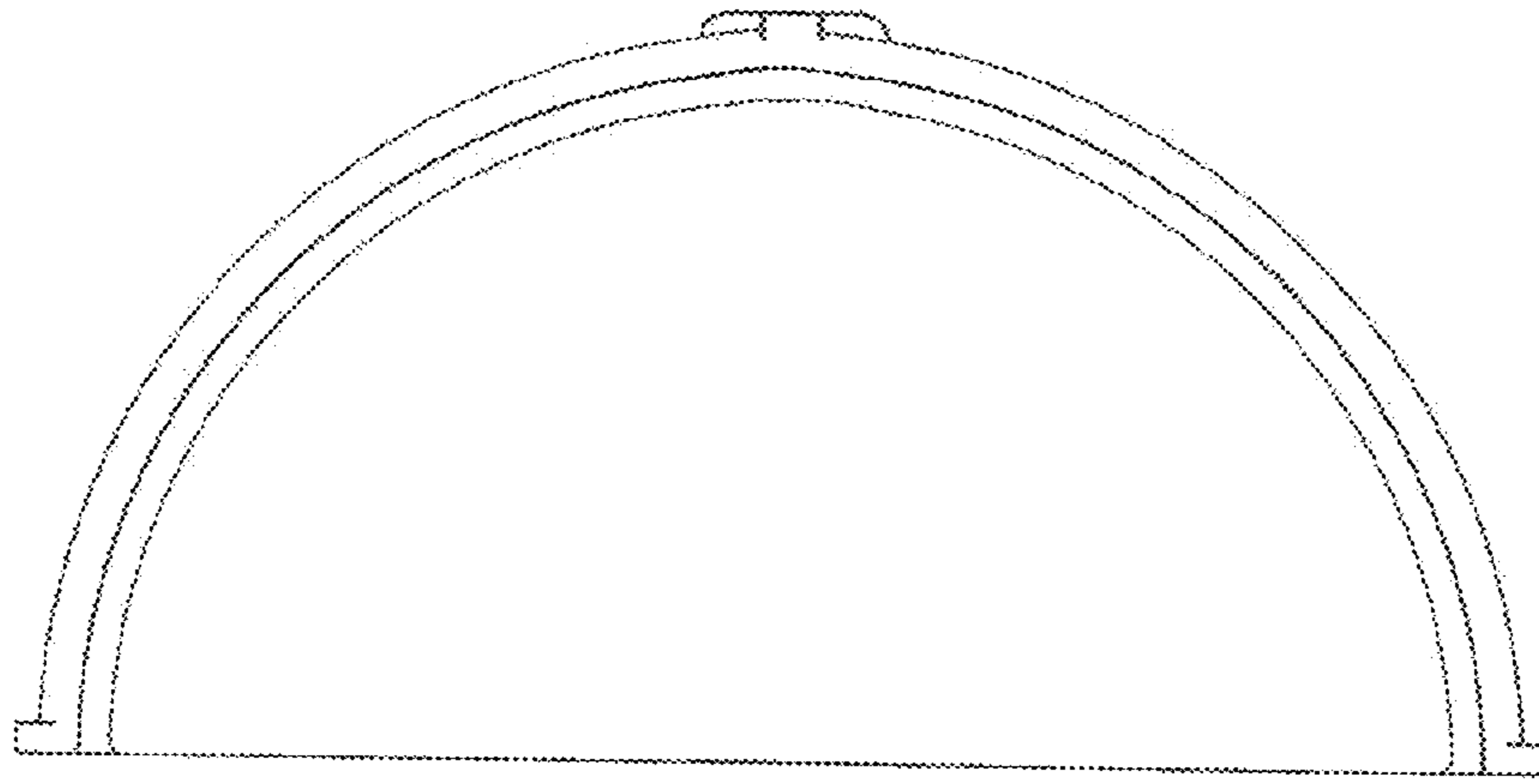


Fig. 33

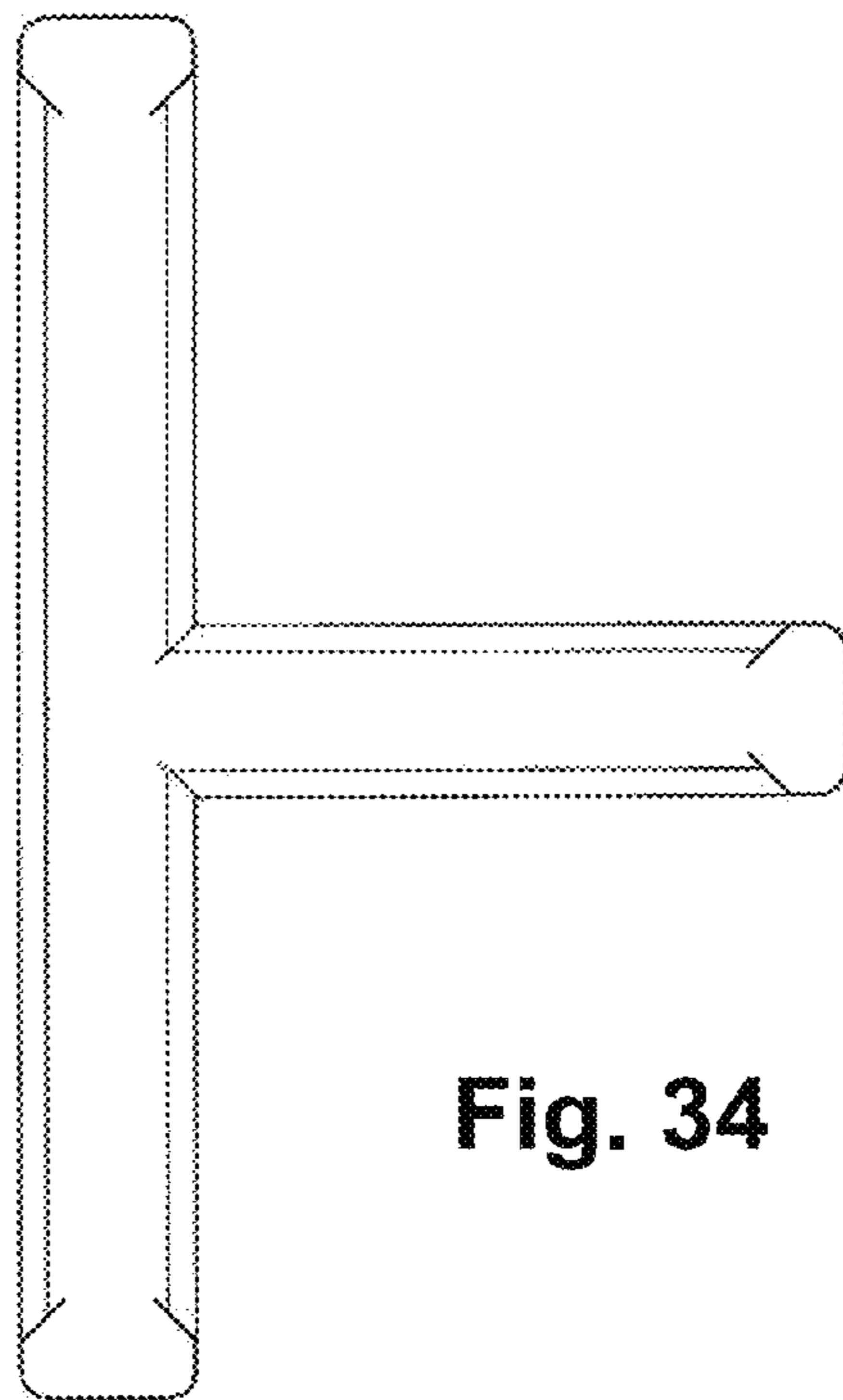


Fig. 34

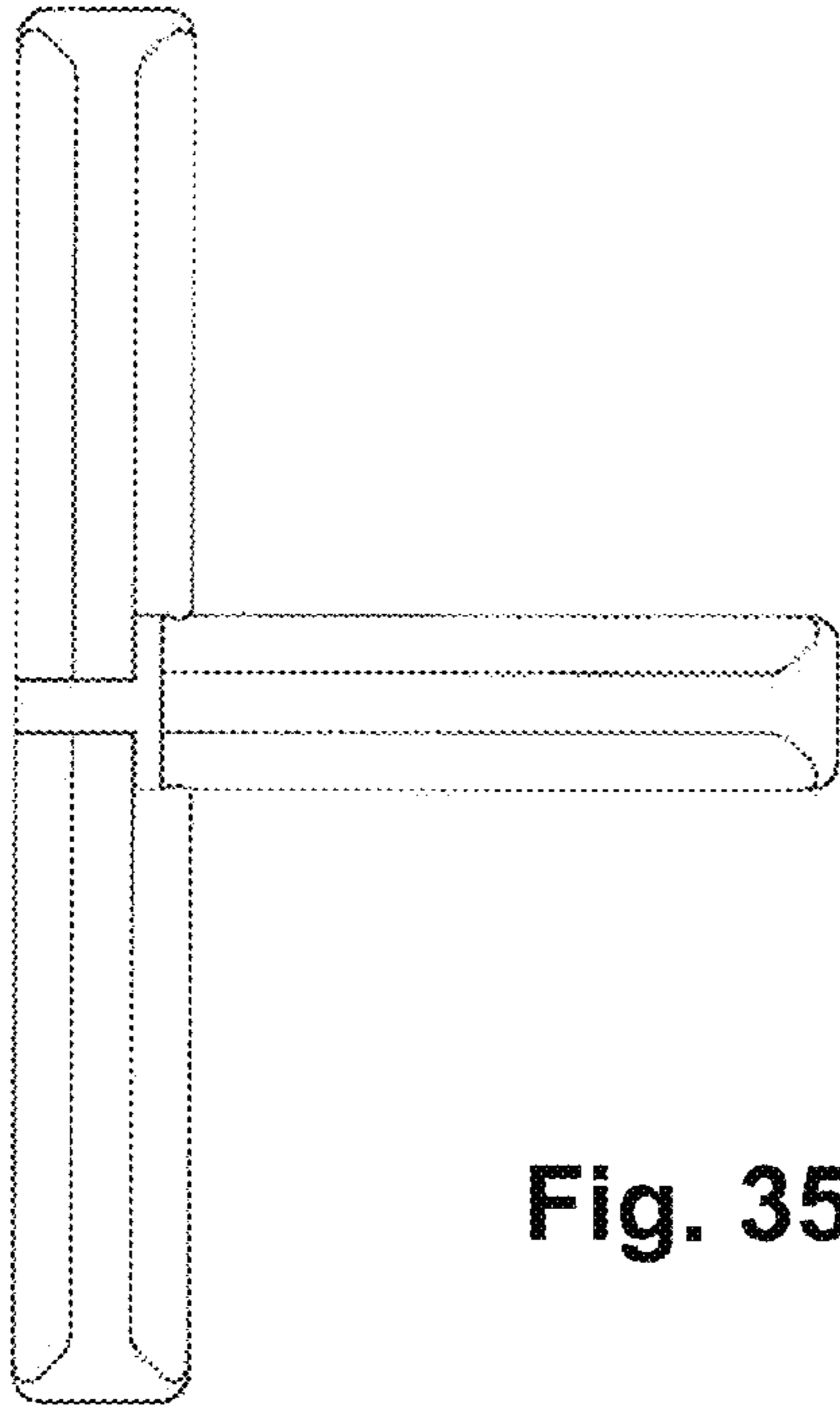


Fig. 35

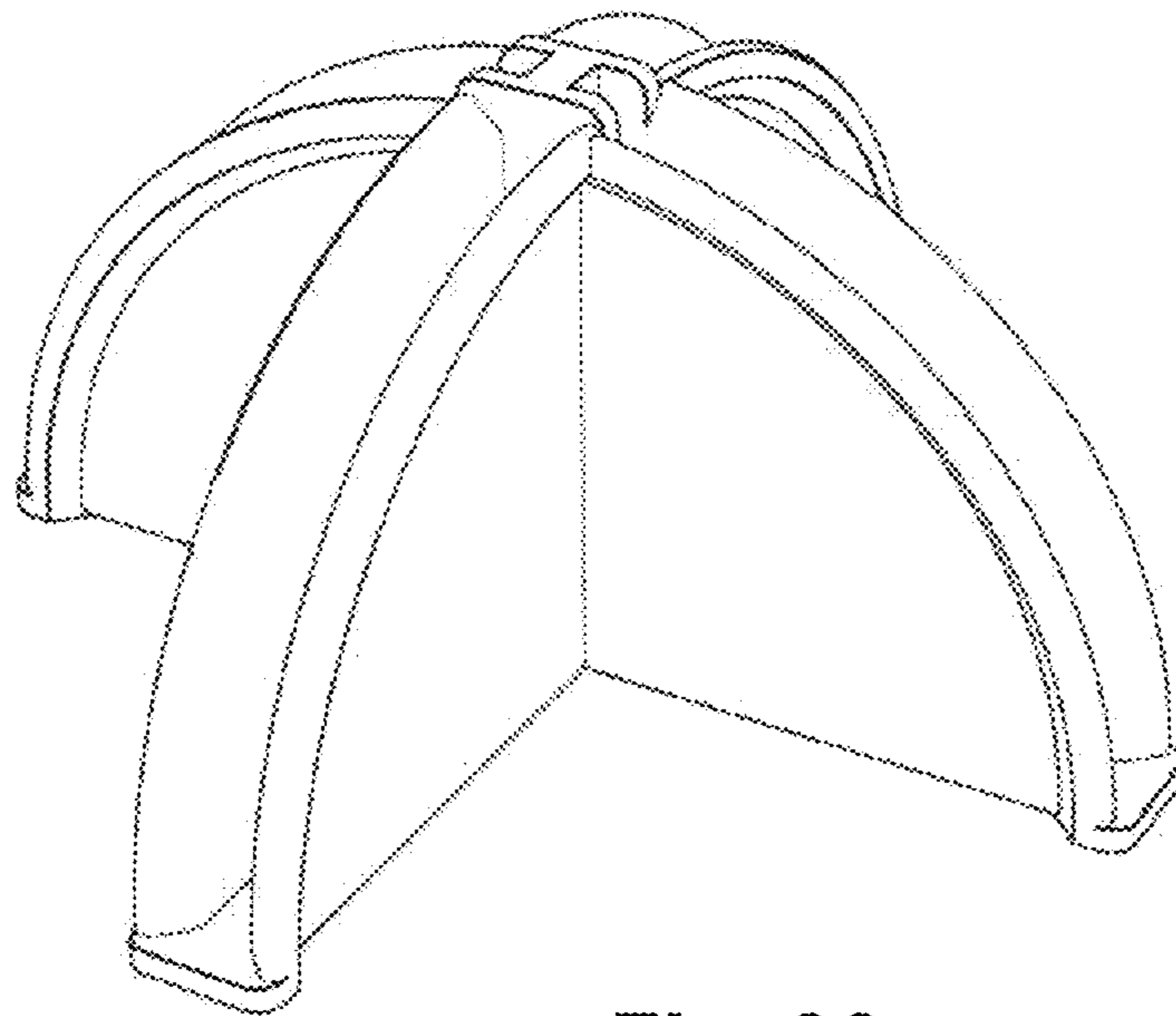


Fig. 36

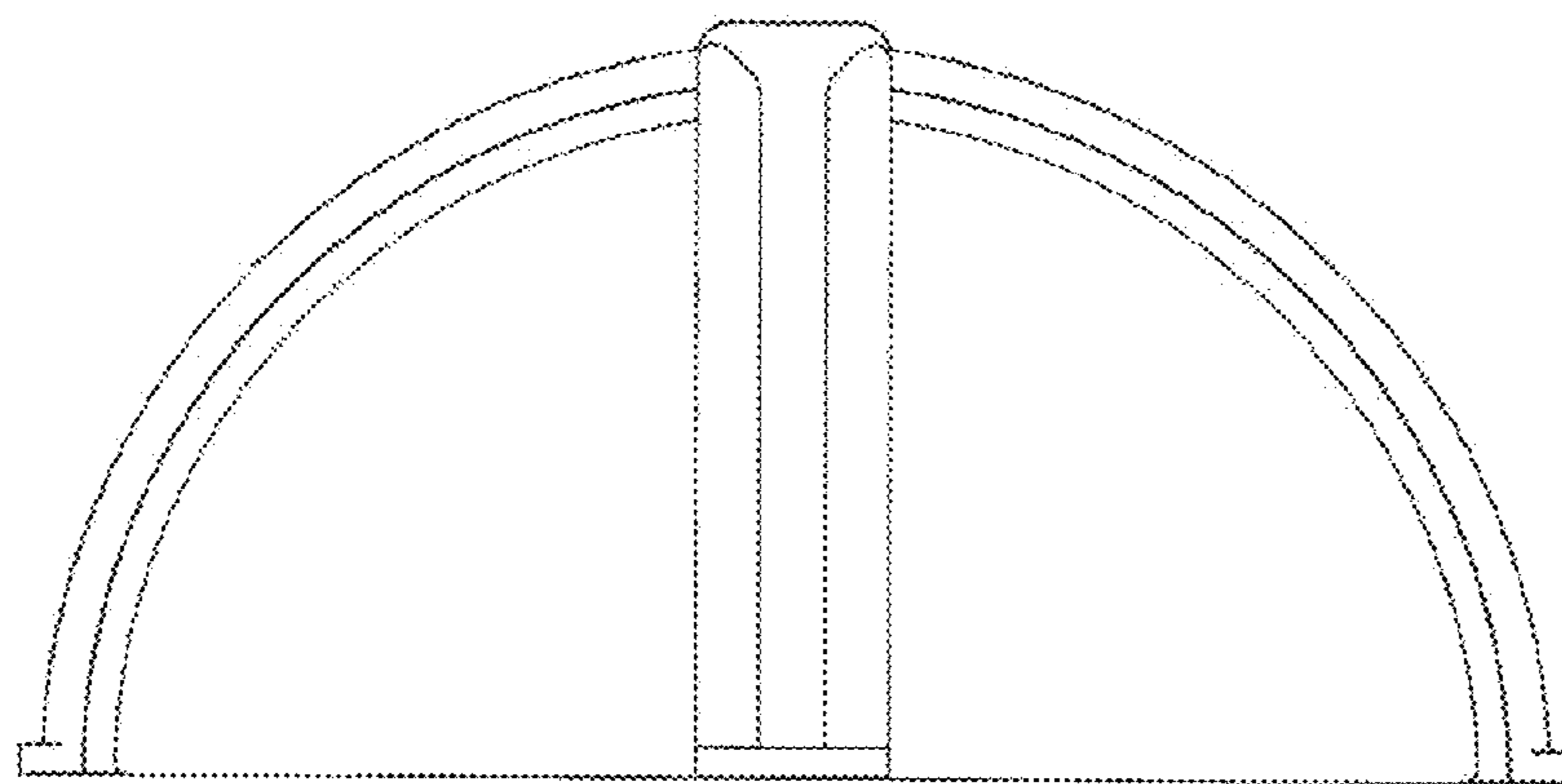


Fig. 37

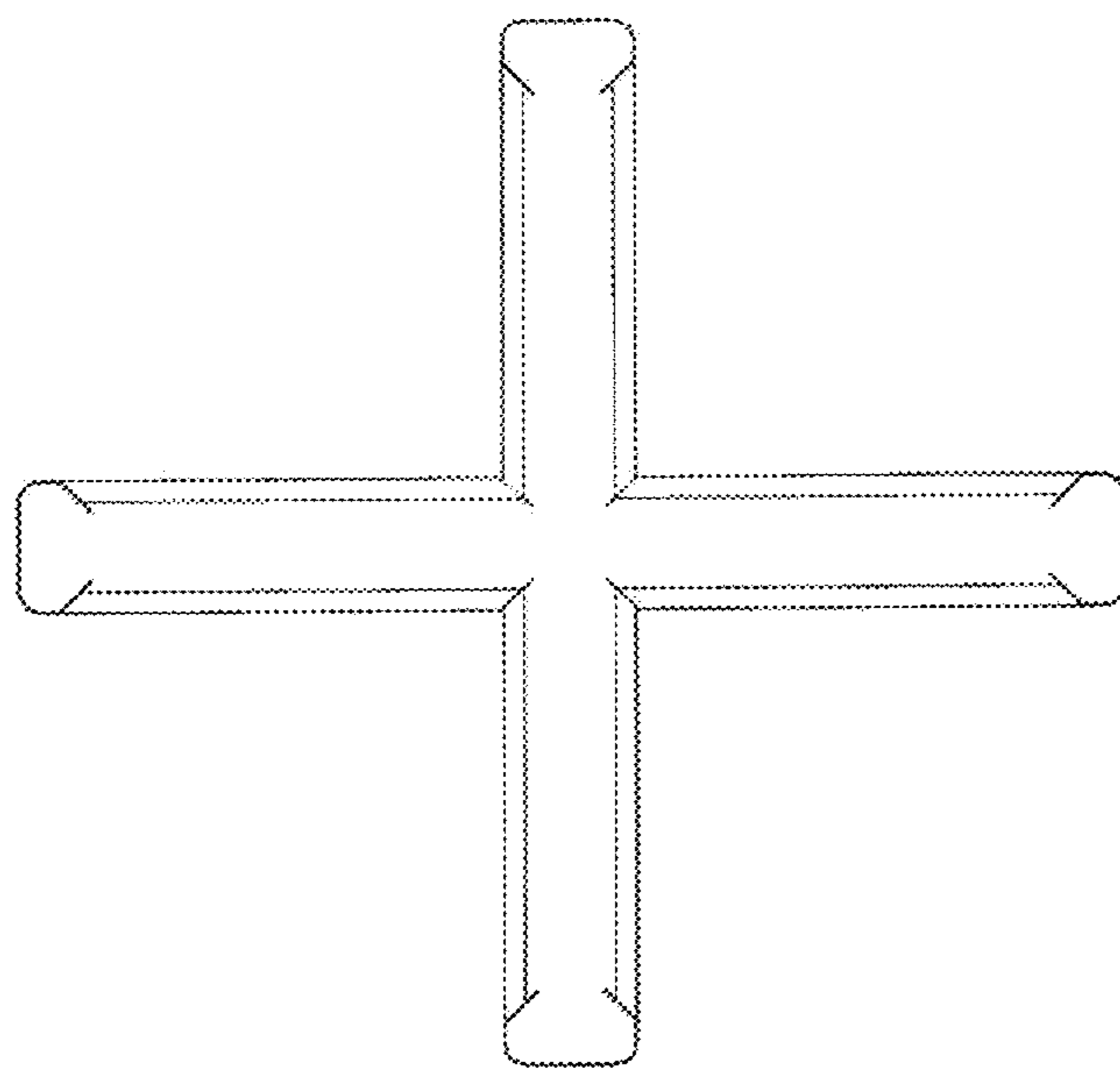


Fig. 38

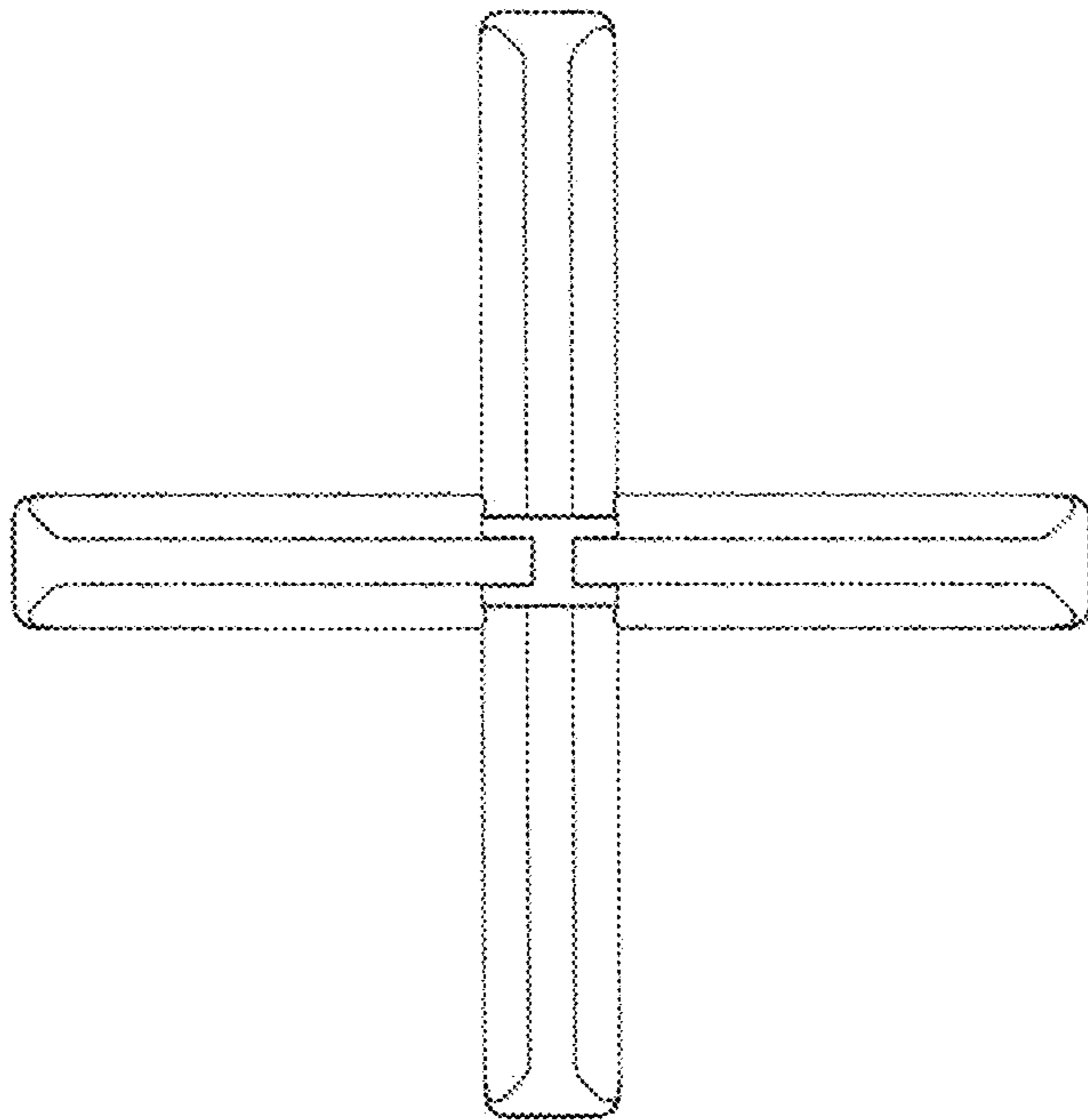


Fig. 39

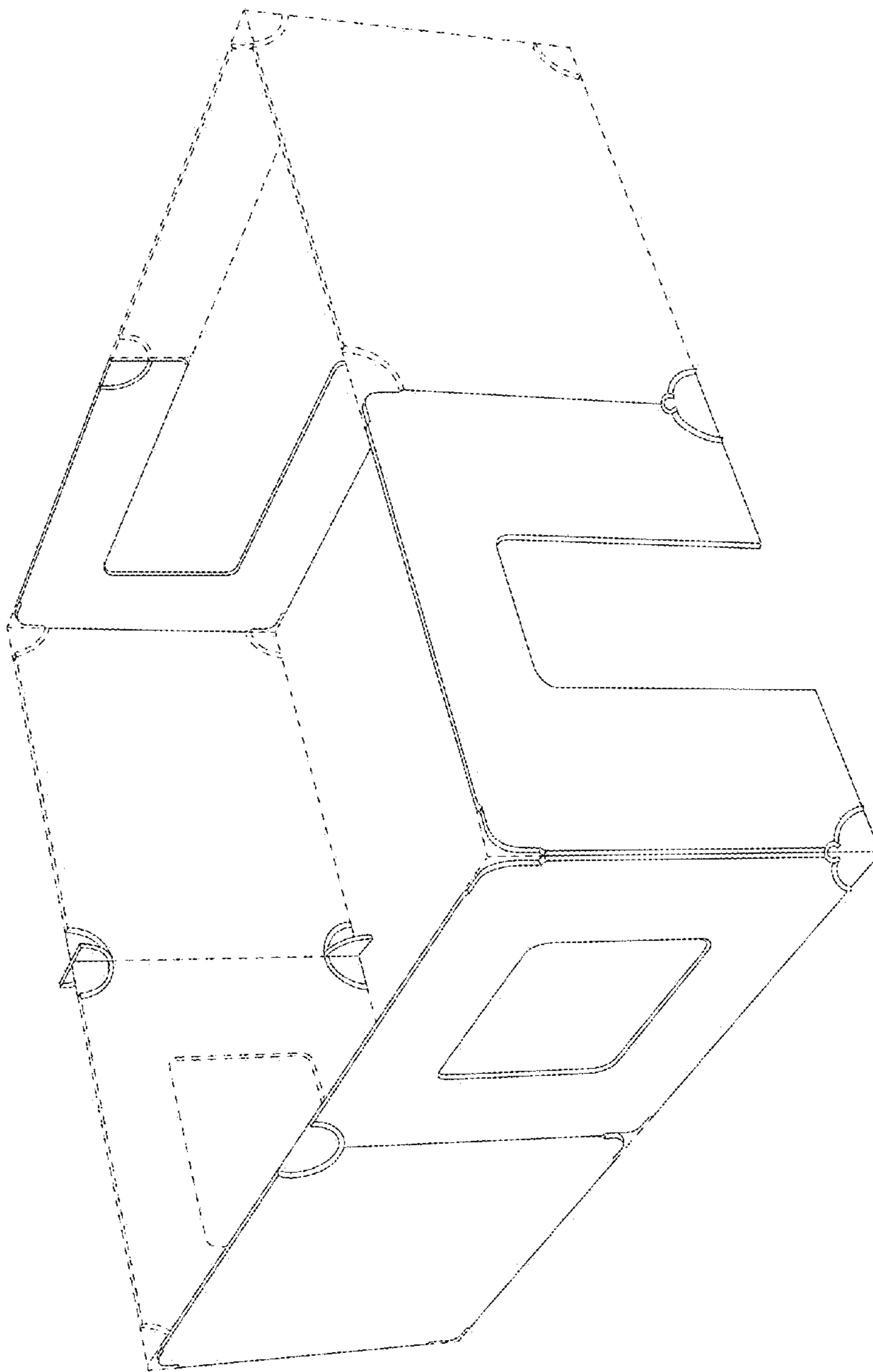


Fig. 40