



US00D714396S

(12) **United States Design Patent**
Talios et al.

(10) **Patent No.:** **US D714,396 S**

(45) **Date of Patent:** **** Sep. 30, 2014**

(54) **STEP-UP TOY SCOOTER**

D497,397 S * 10/2004 Sramek D21/423
D513,629 S * 1/2006 Sramek D21/423
D516,132 S * 2/2006 Sramek D21/423

(71) Applicant: **Dynacraft BSC, Inc.**, American Canyon,
CA (US)

OTHER PUBLICATIONS

(72) Inventors: **Bill Talios**, Petaluma, CA (US); **John Bisges**, Petaluma, CA (US); **David Castrucci**, Napa, CA (US)

E100 Scooter picture and specification; www.razor.com—Admitted Prior Art (undated); 1 page.

E100 Scooter Operator Manual; www.razor.com—Admitted Prior Art (undated); 11 pages.

(73) Assignee: **Dynacraft BSC, Inc.**, American Canyon,
CA (US)

* cited by examiner

(**) Term: **14 Years**

Primary Examiner — Cynthia M Chin

(74) *Attorney, Agent, or Firm* — Michael Best & Friedrich LLP

(21) Appl. No.: **29/472,688**

(57) **CLAIM**

We claim the ornamental design for a step-up toy scooter, as shown and described.

(22) Filed: **Nov. 14, 2013**

(51) **LOC (10) Cl.** **21-01**

(52) **U.S. Cl.**
USPC **D21/423**

DESCRIPTION

(58) **Field of Classification Search**
CPC B62K 3/002; B62K 9/00; B62K 9/02;
B62K 13/00

FIG. 1 is a perspective view of a step-up toy scooter embodying the invention.

FIG. 2 is a left side elevation view of the step-up toy scooter shown in FIG. 1.

FIG. 3 is a right side elevation view of the step-up toy scooter shown in FIG. 1.

FIG. 4 is a front elevation view of the step-up toy scooter shown in FIG. 1.

FIG. 5 is a rear elevation view of the step-up toy scooter shown in FIG. 1.

FIG. 6 is a top plan view of the step-up toy scooter shown in FIG. 1; and,

FIG. 7 is a bottom plan view of the step-up toy scooter shown in FIG. 1.

The broken lines showing the environment form no part of the claimed design.

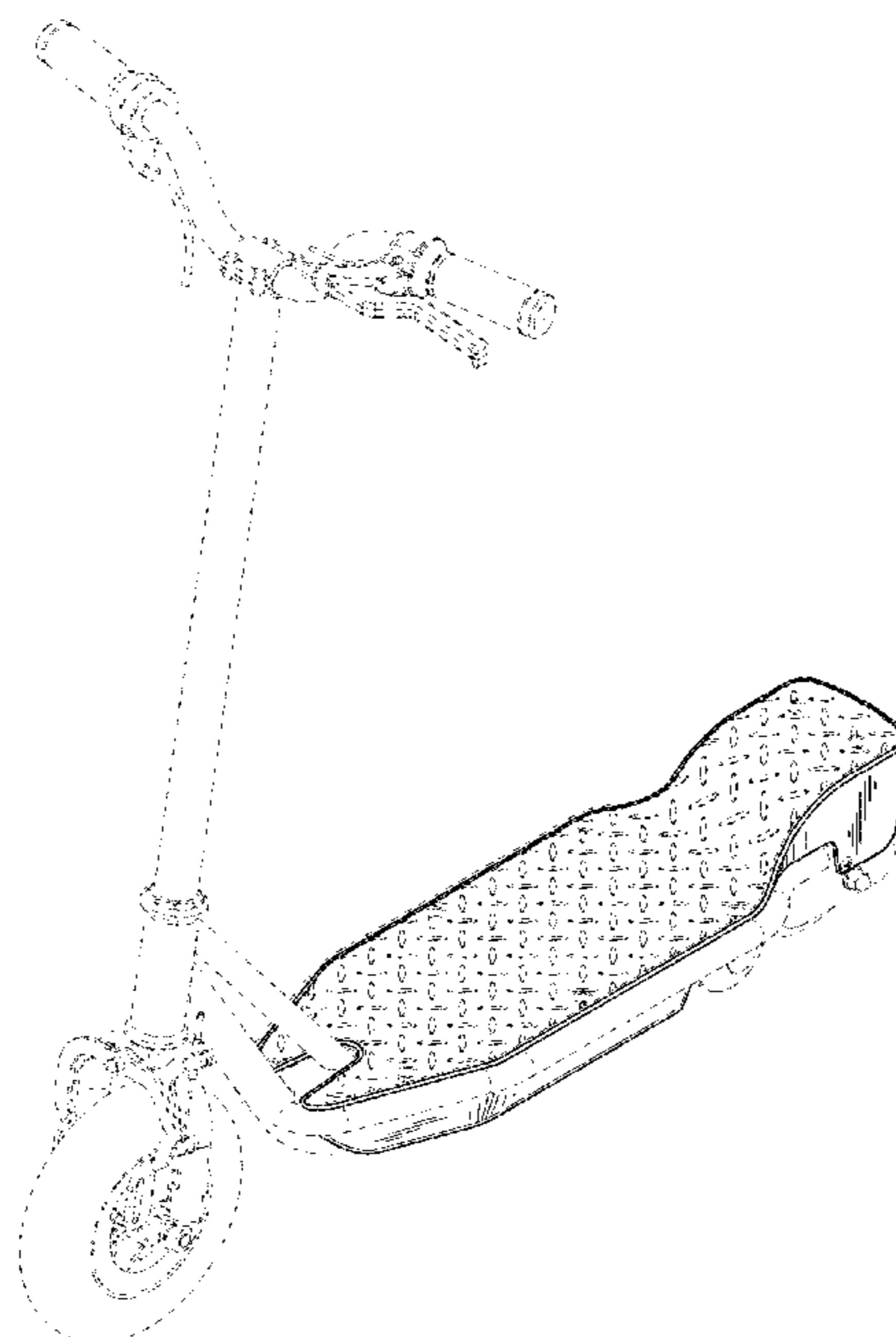
USPC D12/1, 8; 280/14.21, 14.25, 14.26,
280/87.041, 87.042, 263, 288.1, 288.2,
280/288.4, 200, 214, 809; 180/180, 181
See application file for complete search history.

(56) **References Cited**

U.S. PATENT DOCUMENTS

D433,718 S * 11/2000 McGreen D21/423
D453,804 S * 2/2002 Robinson D21/423
D454,377 S * 3/2002 Hsu et al. D21/423
D456,460 S * 4/2002 Tseng D21/423
D464,379 S * 10/2002 Lin D21/423
D471,598 S * 3/2003 Chen D21/423
D489,771 S * 5/2004 Laver et al. D21/423

1 Claim, 5 Drawing Sheets



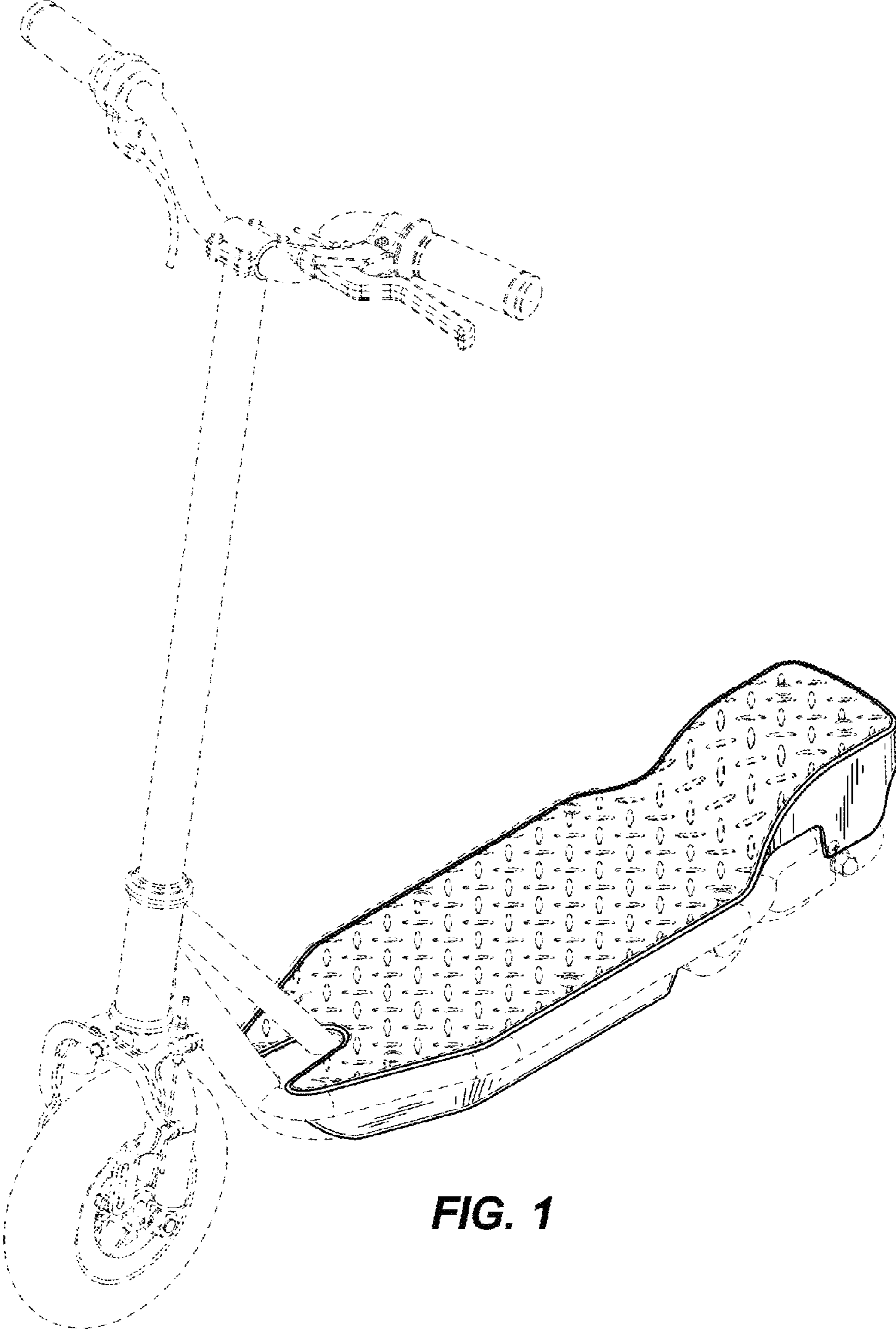


FIG. 1

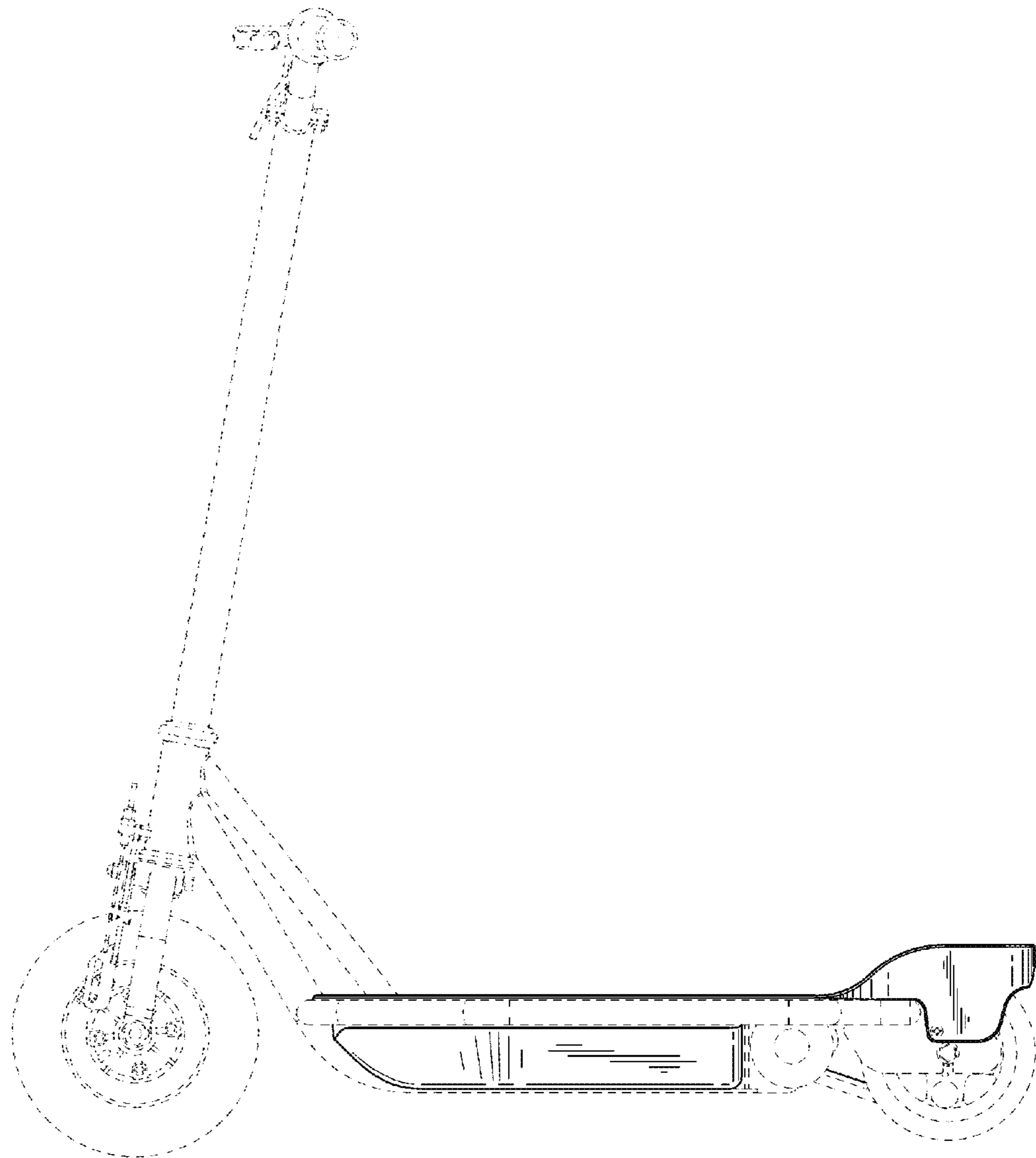


FIG. 2

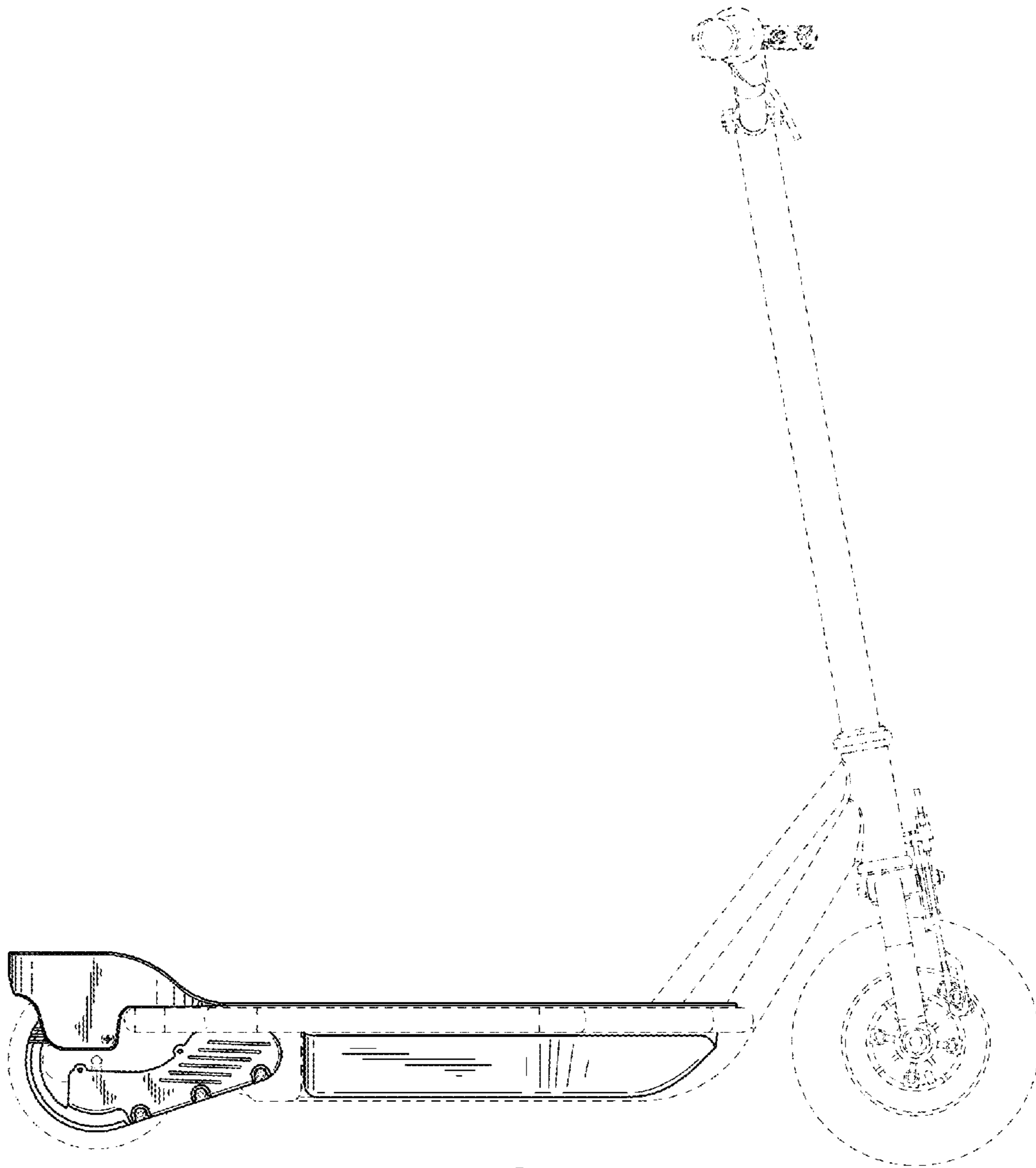


FIG. 3

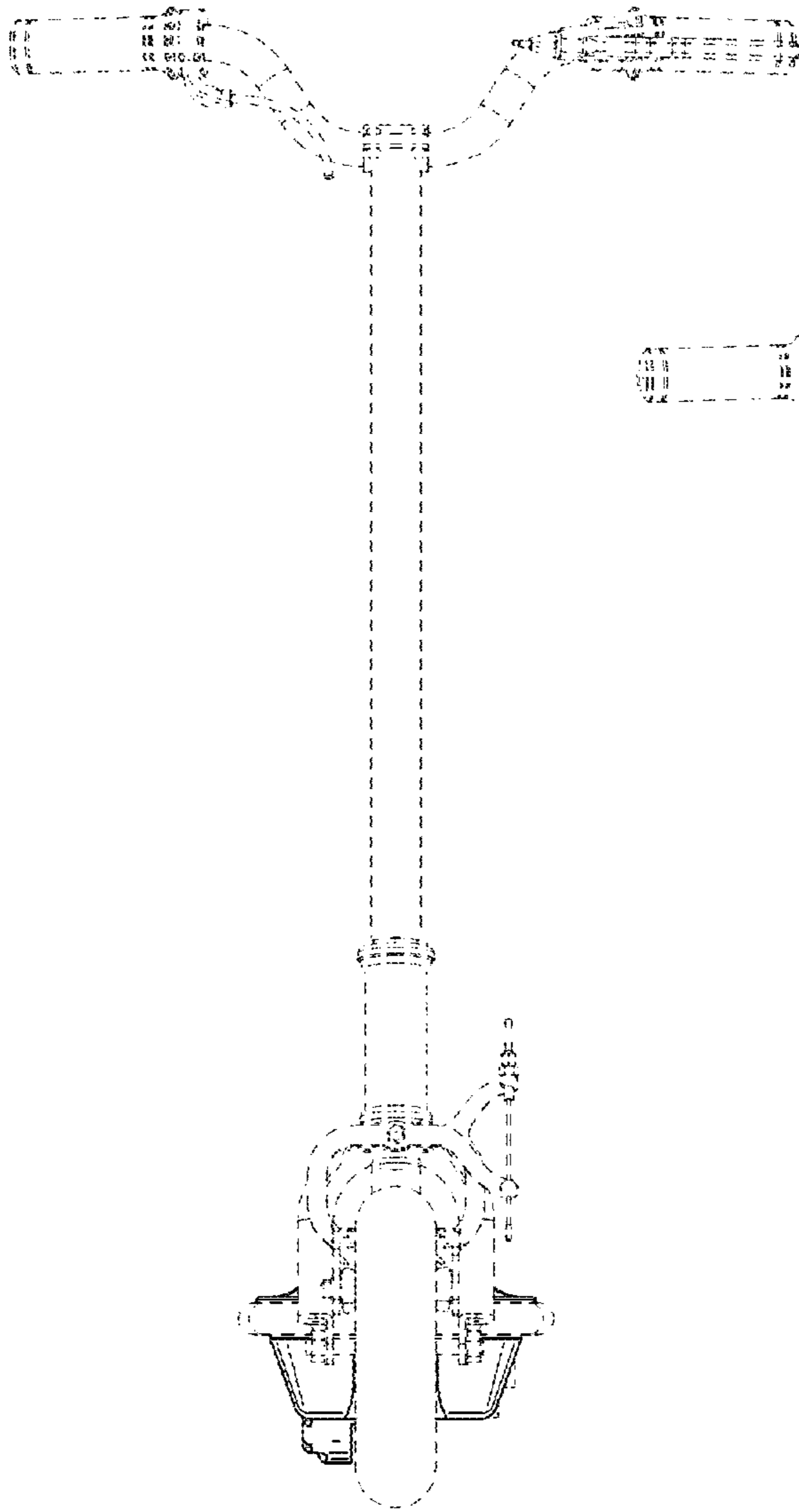


FIG. 4

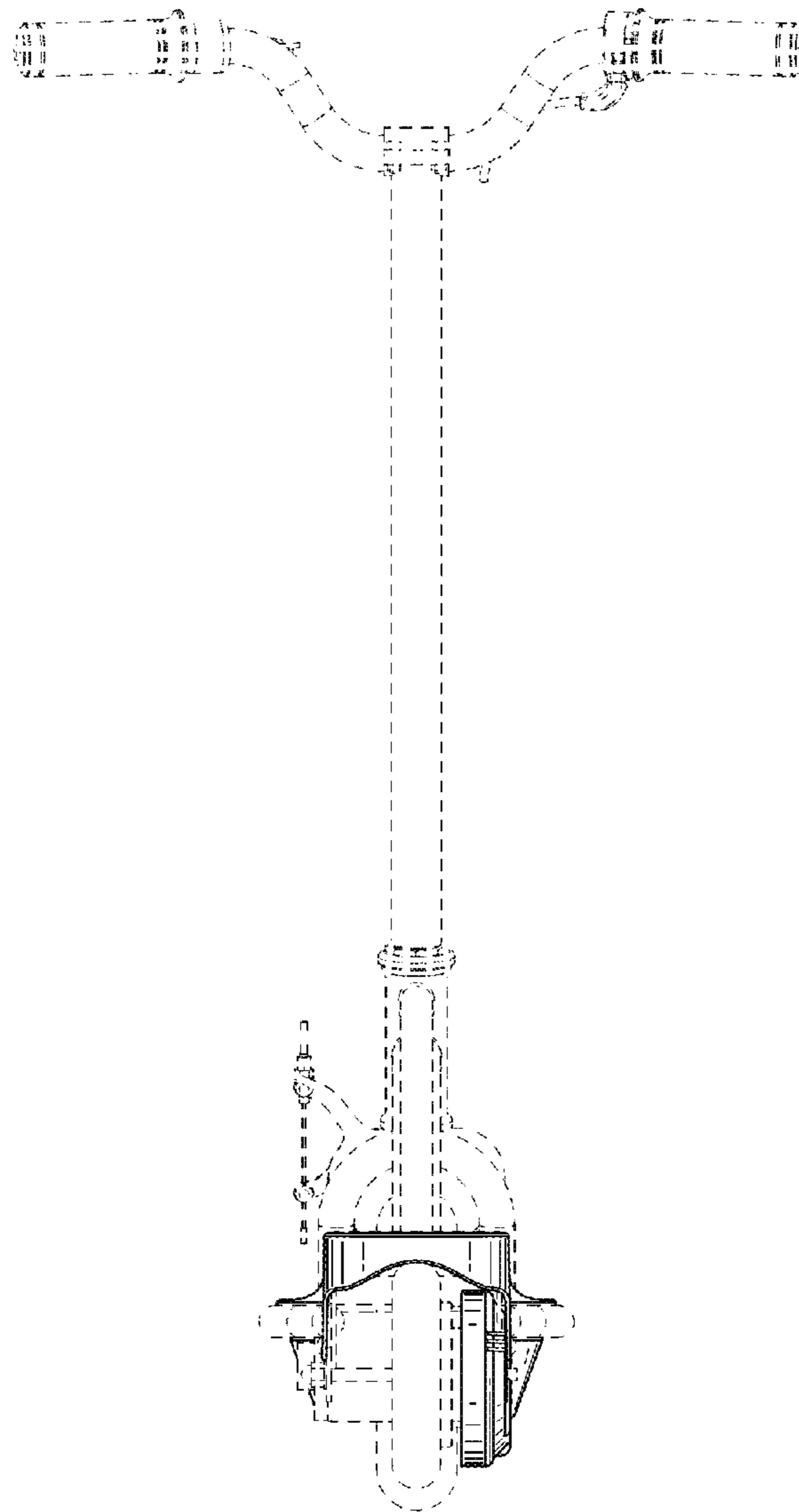


FIG. 5

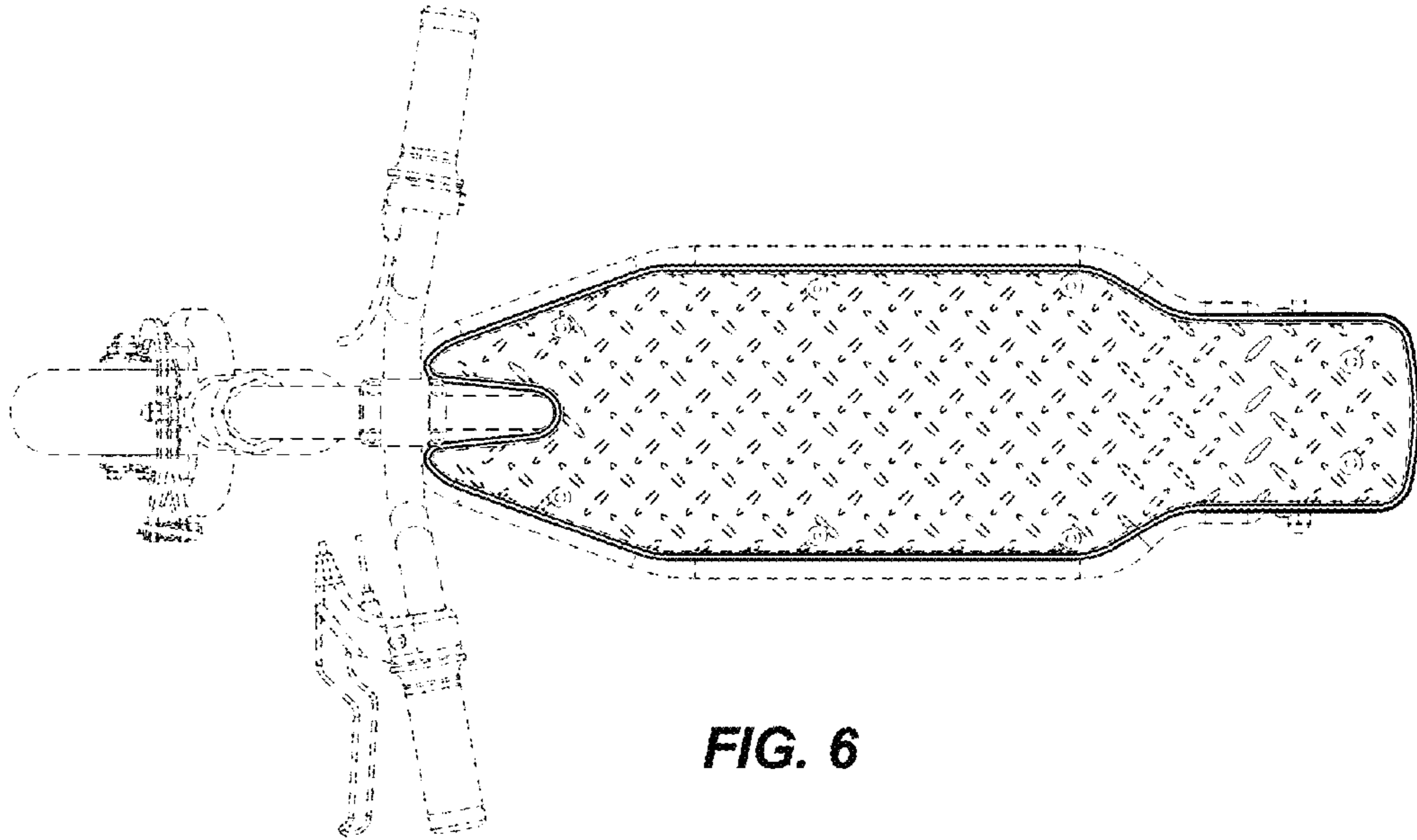


FIG. 6

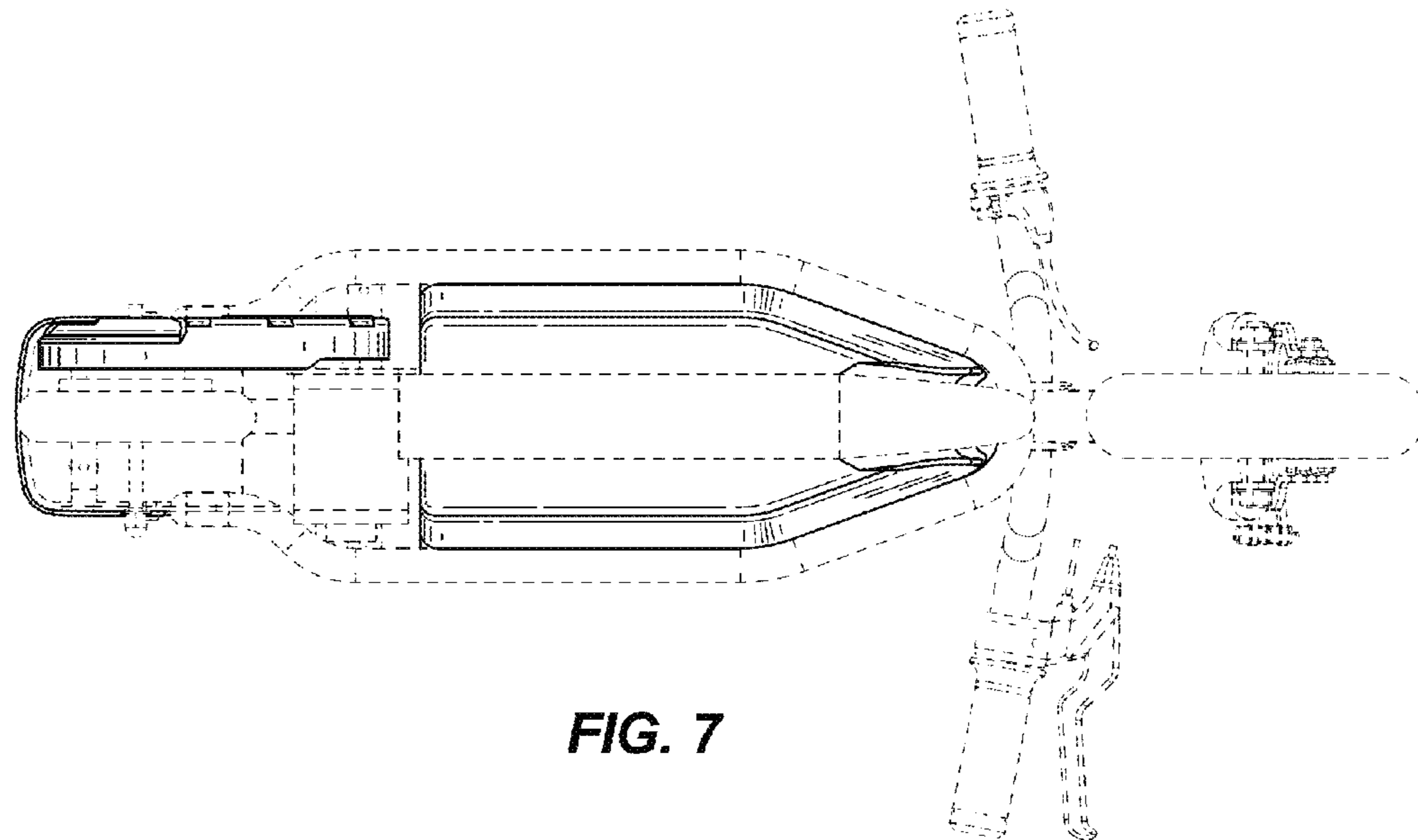


FIG. 7