



US00D714393S

(12) **United States Design Patent**
Harrell et al.

(10) **Patent No.:** **US D714,393 S**

(45) **Date of Patent:** **** Sep. 30, 2014**

(54) **FOOTBALL FIELD TABLE**

(71) Applicants: **Bobby E. Harrell**, West Monroe, LA
(US); **Elbert Lawrence**, West Monroe,
LA (US)

(72) Inventors: **Bobby E. Harrell**, West Monroe, LA
(US); **Elbert Lawrence**, West Monroe,
LA (US)

(**) Term: **14 Years**

(21) Appl. No.: **29/470,386**

(22) Filed: **Oct. 21, 2013**

(51) **LOC (10) Cl.** **21-01**

(52) **U.S. Cl.**
USPC **D21/397**

(58) **Field of Classification Search**
USPC D21/307–308, 334–368, 376–397;
273/236–287, 288–291

See application file for complete search history.

(56) **References Cited**

U.S. PATENT DOCUMENTS

D285,942	S	*	9/1986	Kemmeter	D21/307
D321,910	S	*	11/1991	Brady	D19/97
D325,135	S	*	4/1992	Barfield	D21/357
5,158,301	A	*	10/1992	Martukovich, Jr.	273/247
5,332,215	A	*	7/1994	Gonzales	273/317.5
D373,148	S	*	8/1996	Crow et al.	D21/357
5,570,888	A	*	11/1996	Robinson et al.	273/317.5
D420,400	S	*	2/2000	Dunagin, III	D21/357
6,322,073	B1	*	11/2001	Davis	273/247
D488,335	S	*	4/2004	Kerr	D6/511

* cited by examiner

Primary Examiner — George D Kirschbaum

(74) *Attorney, Agent, or Firm* — R. Keith Harrison

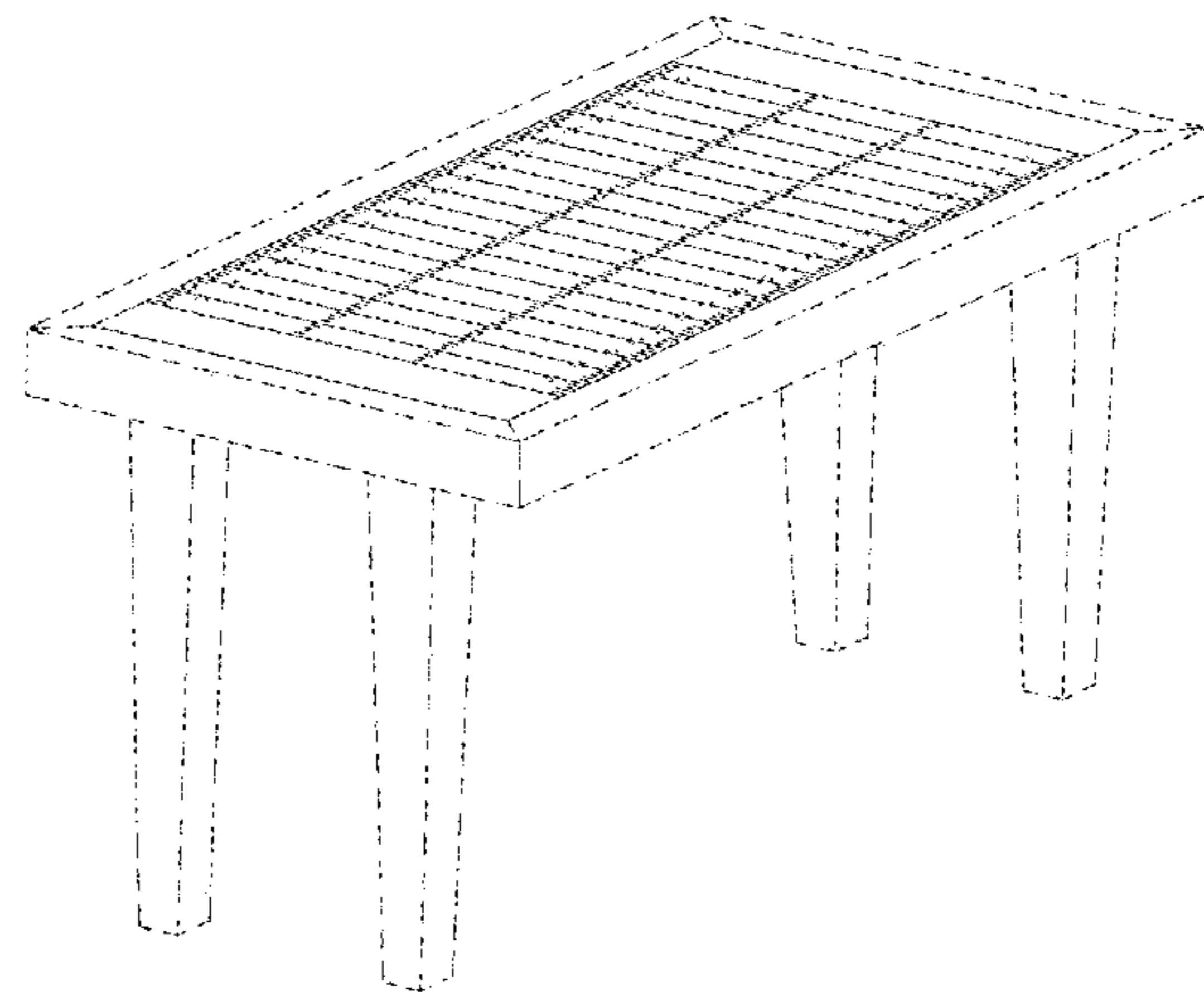
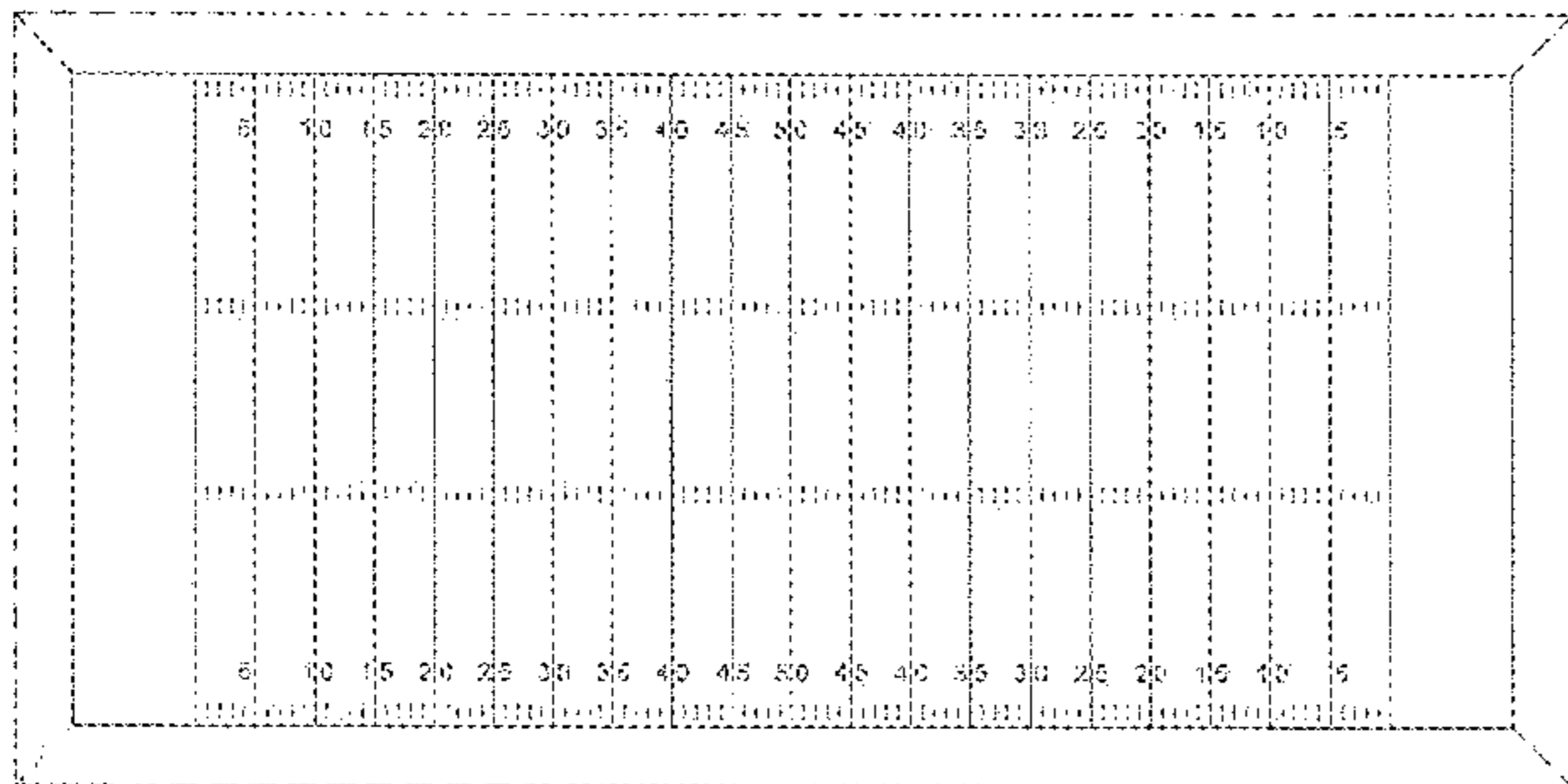
(57) **CLAIM**

The ornamental design for a football field table, as shown and described.

DESCRIPTION

FIG. 1 is a top view of the football field table; and, FIG. 2 is a perspective view of the football field table. The broken line showing of sides, bottom and legs is included for the purpose of illustrating portions of the “article” and forms no part of the claimed design.

1 Claim, 2 Drawing Sheets



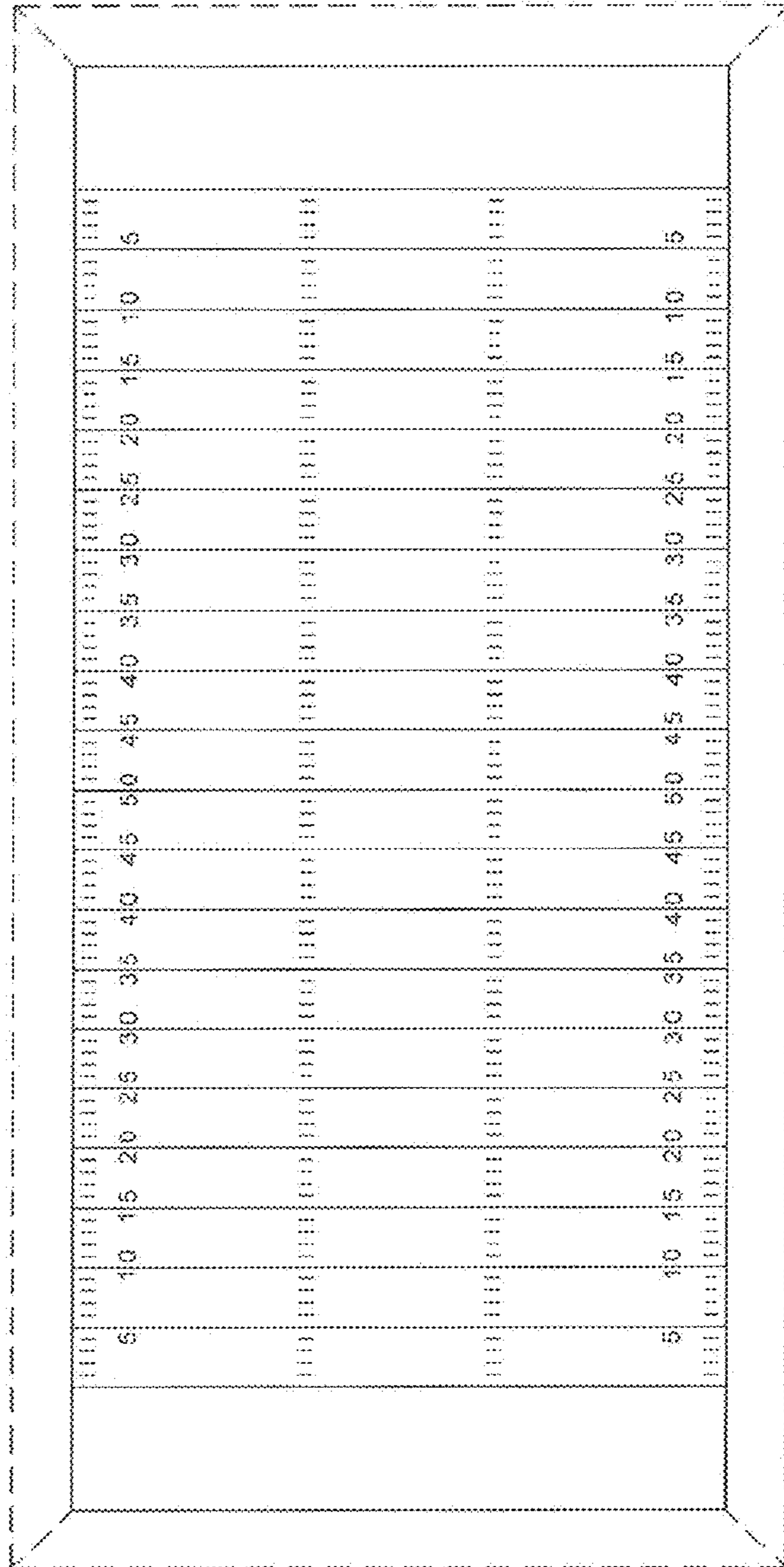


FIG. 1

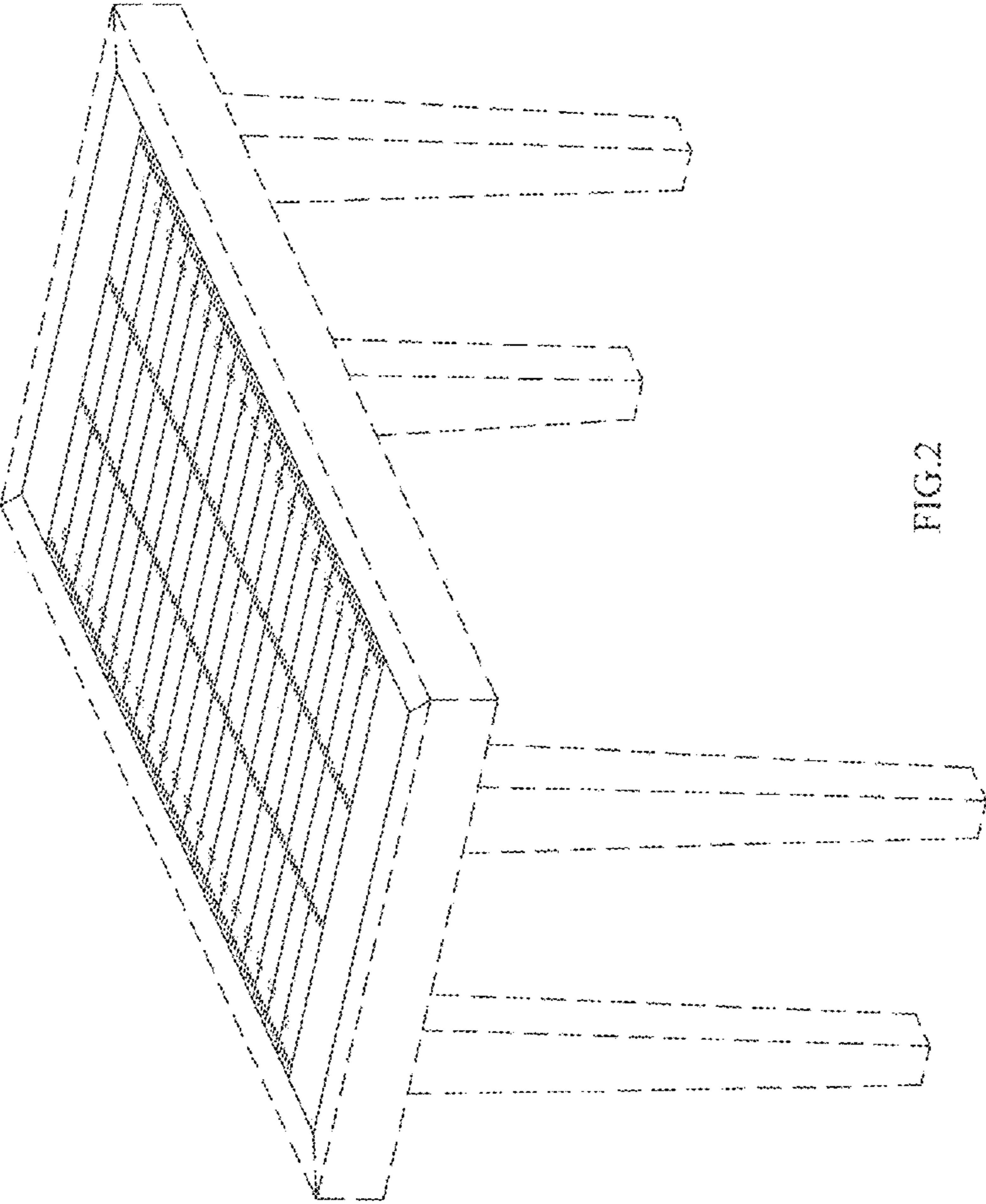


FIG. 2