



US00D714390S

(12) **United States Design Patent**  
**Bina**

(10) **Patent No.:** **US D714,390 S**

(45) **Date of Patent:** **\*\* Sep. 30, 2014**

(54) **DISPLAY FOR INSERT**

(71) Applicant: **Timothy Michael Bina**, Laguna Beach,  
CA (US)

(72) Inventor: **Timothy Michael Bina**, Laguna Beach,  
CA (US)

(73) Assignee: **Timothy Michael Bina**, Laguna Beach,  
CA (US)

(\*\*) Term: **14 Years**

(21) Appl. No.: **29/464,531**

(22) Filed: **Aug. 16, 2013**

(51) **LOC (10) Cl.** ..... **20-03**

(52) **U.S. Cl.**  
USPC ..... **D20/43**

(58) **Field of Classification Search**

CPC ..... G09F 3/08; G09F 3/16; G09F 3/18;  
G09F 3/20; G09F 3/201; G09F 3/202; G09F  
3/203; G09F 3/204; G09F 7/02; G09F 7/04;  
G09F 7/08; G09F 7/18; G09F 7/20; G09F  
7/22; G09F 21/00; G09F 21/02; G09F 21/04;  
G09F 21/048; G09F 23/10  
USPC ..... D20/10, 19, 29, 40, 42-44, 99; 40/320,  
40/56, 8, 591, 642.02, 643, 644, 647, 649,  
40/651-655, 661, 661.03, 661.05-661.09,  
40/661.11, 662, 667; D11/125; D12/193;  
D19/1, 9, 10

See application file for complete search history.

(56) **References Cited**

U.S. PATENT DOCUMENTS

D203,507	S	*	1/1966	Richardson	.....	D11/125
D308,399	S	*	6/1990	Mori	.....	D20/10
5,691,437	A	*	11/1997	Main	.....	428/42.1
5,771,619	A	*	6/1998	Wells	.....	40/643
D425,819	S	*	5/2000	Lin	.....	D11/125
D540,393	S	*	4/2007	Longo	.....	D20/43
D607,940	S	*	1/2010	Goode et al.	.....	D20/10
D622,079	S	*	8/2010	Stukenberg et al.	.....	D6/396
D628,627	S	*	12/2010	Halbur et al.	.....	D19/9
D655,348	S	*	3/2012	Cooper	.....	D20/43
D658,233	S	*	4/2012	Byford	.....	D20/43
D702,766	S	*	4/2014	Radtke	.....	D20/29

OTHER PUBLICATIONS

Monster Energy Company, US Trademark Registration No. 4332062, "M Monster Energy" logo, registered May 7, 2013.

\* cited by examiner

*Primary Examiner* — Mary Ann Calabrese

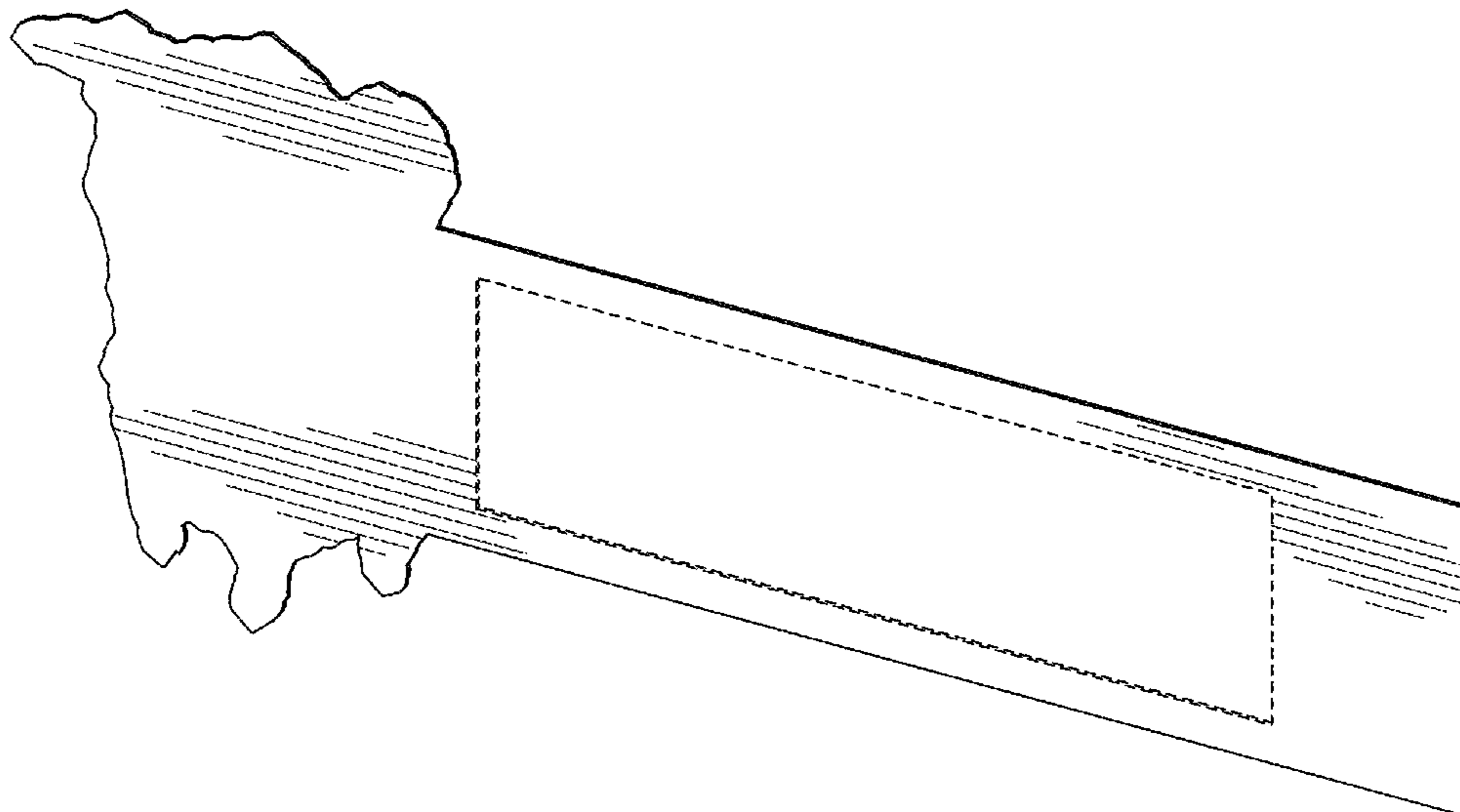
(57) **CLAIM**

The ornamental design of a display for insert, as shown and described.

**DESCRIPTION**

FIG. 1 is a top front right side perspective view of a display for insert of the new design.  
FIG. 2 is a front elevation view thereof.  
FIG. 3 is a rear elevation view thereof.  
FIG. 4 is a top plan view thereof.  
FIG. 5 is a bottom plan view thereof.  
FIG. 6 is a right side elevation view thereof; and,  
FIG. 7 is a left side elevation view thereof.  
In the drawings, the broken lines represent features that form no part of the claim.

**1 Claim, 4 Drawing Sheets**



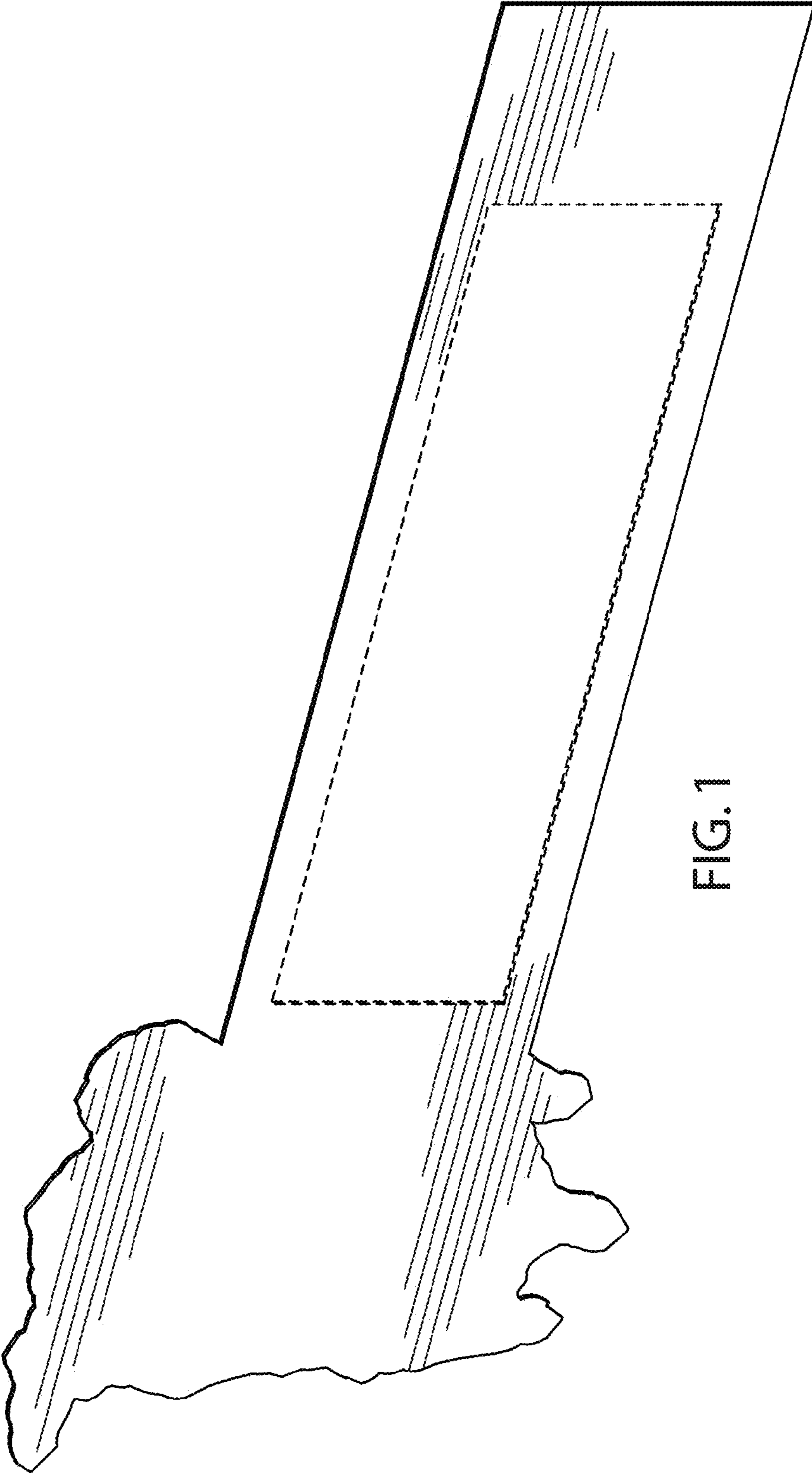


FIG. 1

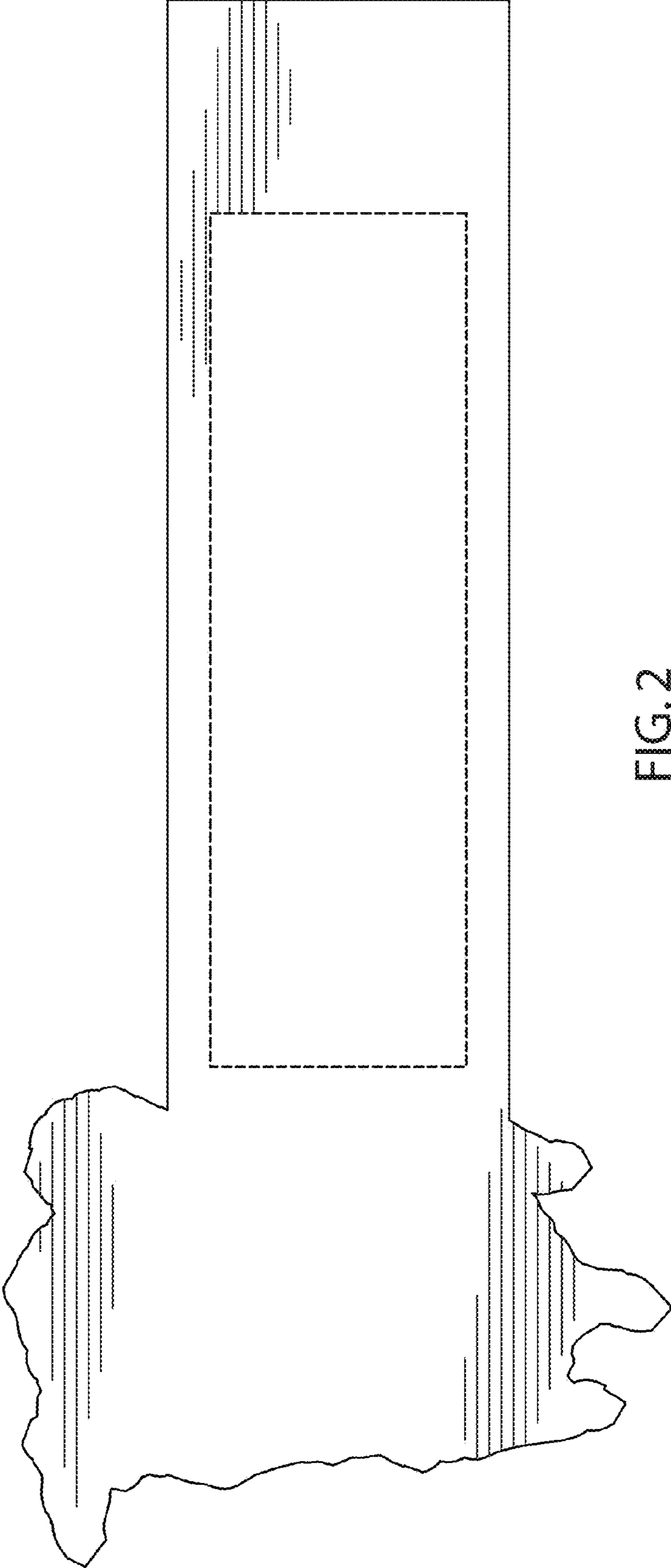


FIG. 2

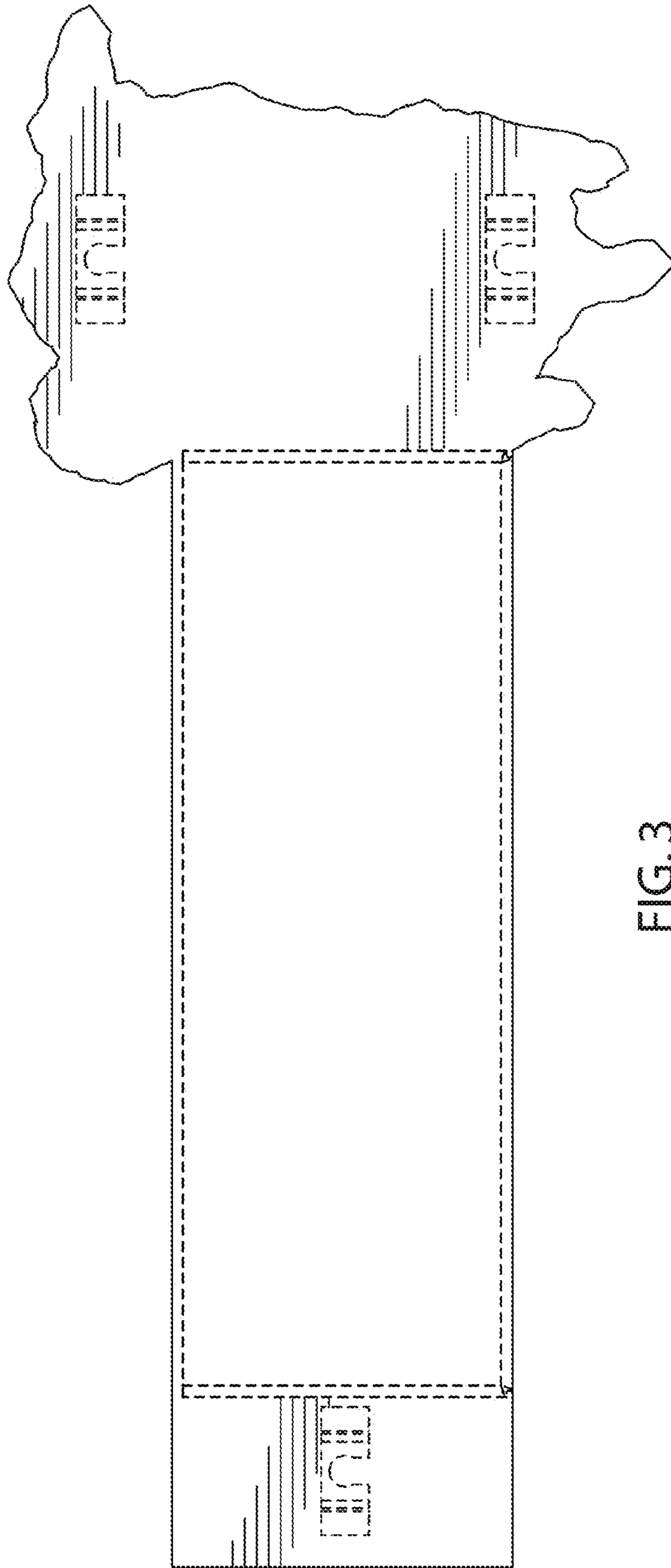


FIG. 3



FIG. 4

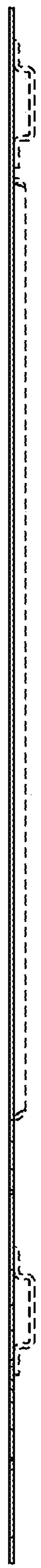


FIG. 5

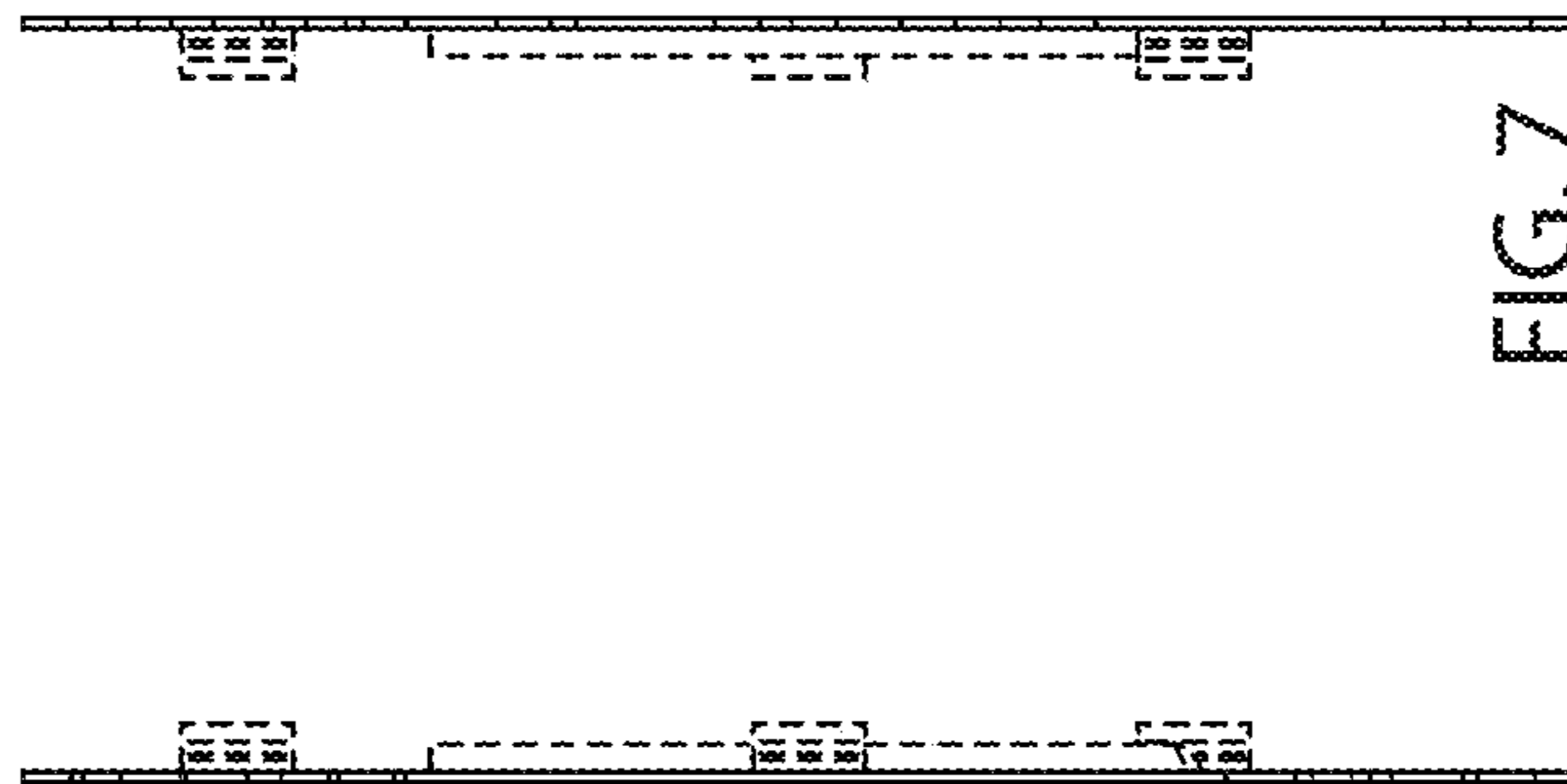


FIG. 6

FIG. 7