



US00D714386S

(12) **United States Design Patent**
Au

(10) **Patent No.:** **US D714,386 S**
(45) **Date of Patent:** **** Sep. 30, 2014**

- (54) **CRAYON HOLDER**
- (71) Applicant: **Lai On Products (Industrial) Limited,**
Kwai Chung (HK)
- (72) Inventor: **Sze Ki Au,** Kwai Chung (HK)
- (73) Assignee: **Lai On Products (Industrial) Limited,**
Kwai Chung, New Territories (HK)
- (**) Term: **14 Years**
- (21) Appl. No.: **29/464,179**
- (22) Filed: **Aug. 14, 2013**
- (51) **LOC (10) Cl.** **19-06**
- (52) **U.S. Cl.**
USPC **D19/204; D19/925; D19/934**
- (58) **Field of Classification Search**
USPC D14/411; D19/115–186, 190–204, 925,
D19/934; 24/11 F, 11 P, 11 R; 401/52, 99,
401/192, 195, 196
See application file for complete search history.

D335,893 S *	5/1993	Hu	D19/43
D372,049 S *	7/1996	Anderson	D19/55
5,577,850 A *	11/1996	Mishima	401/83
D378,762 S *	4/1997	Kikuchi et al.	D19/51
D386,526 S *	11/1997	Ito	D19/53
D402,691 S *	12/1998	Zbras, Jr.	D19/36
6,123,476 A *	9/2000	Rosenthal	401/51
6,227,743 B1 *	5/2001	Robb	401/243
D443,301 S *	6/2001	Robb	D19/36
D451,139 S *	11/2001	Wang	D19/36
D555,609 S *	11/2007	Galbraith	D24/114
D604,768 S *	11/2009	Andoh et al.	D19/54
D670,699 S *	11/2012	Sato	D14/411
D695,741 S *	12/2013	Wang	D14/411

* cited by examiner

Primary Examiner — Elizabeth Albert

(74) *Attorney, Agent, or Firm* — Donald J. Ranft; Collen IP

(57) **CLAIM**

The ornamental design for a crayon holder, as shown.

DESCRIPTION

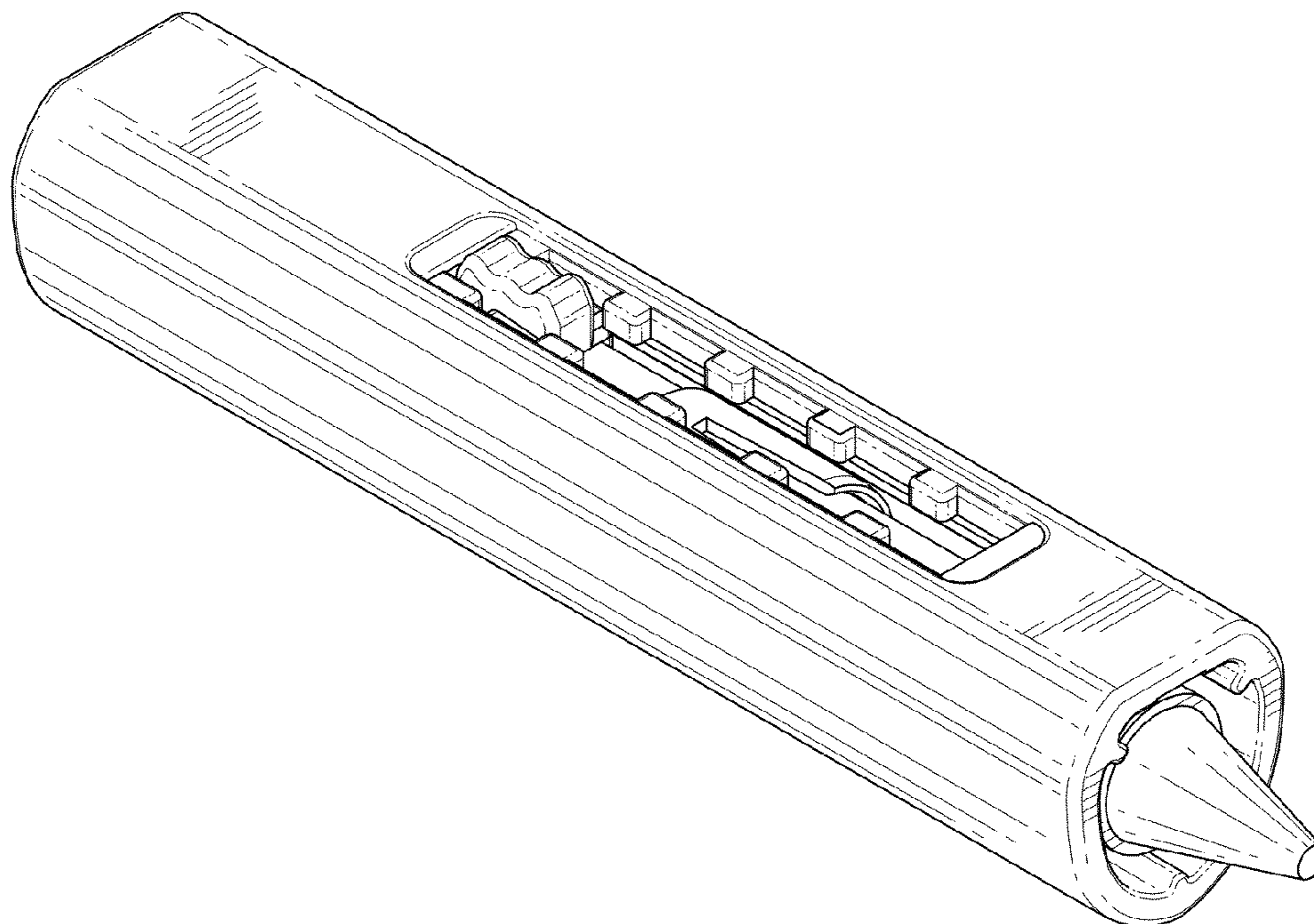
FIG. 1 is a front left perspective view of a crayon holder showing my new design;
 FIG. 2 is a rear left perspective view thereof;
 FIG. 3 is a second front left perspective view thereof;
 FIG. 4 is a front view thereof;
 FIG. 5 is a rear view thereof;
 FIG. 6 is a left side view thereof;
 FIG. 7 is a right side view thereof;
 FIG. 8 is a top view thereof; and,
 FIG. 9 is a bottom view thereof.

1 Claim, 7 Drawing Sheets

(56) **References Cited**

U.S. PATENT DOCUMENTS

2,772,662 A *	12/1956	Tamalunas	401/84
2,803,219 A *	8/1957	Stoerberl	401/112
4,635,309 A *	1/1987	Larsen	7/158
4,826,341 A *	5/1989	Kwak	401/280
D303,992 S *	10/1989	Grotsch	D19/53
5,048,989 A *	9/1991	Stageman	401/83
D322,282 S *	12/1991	Mishima	D19/53
D330,565 S *	10/1992	Dallaire	D19/48



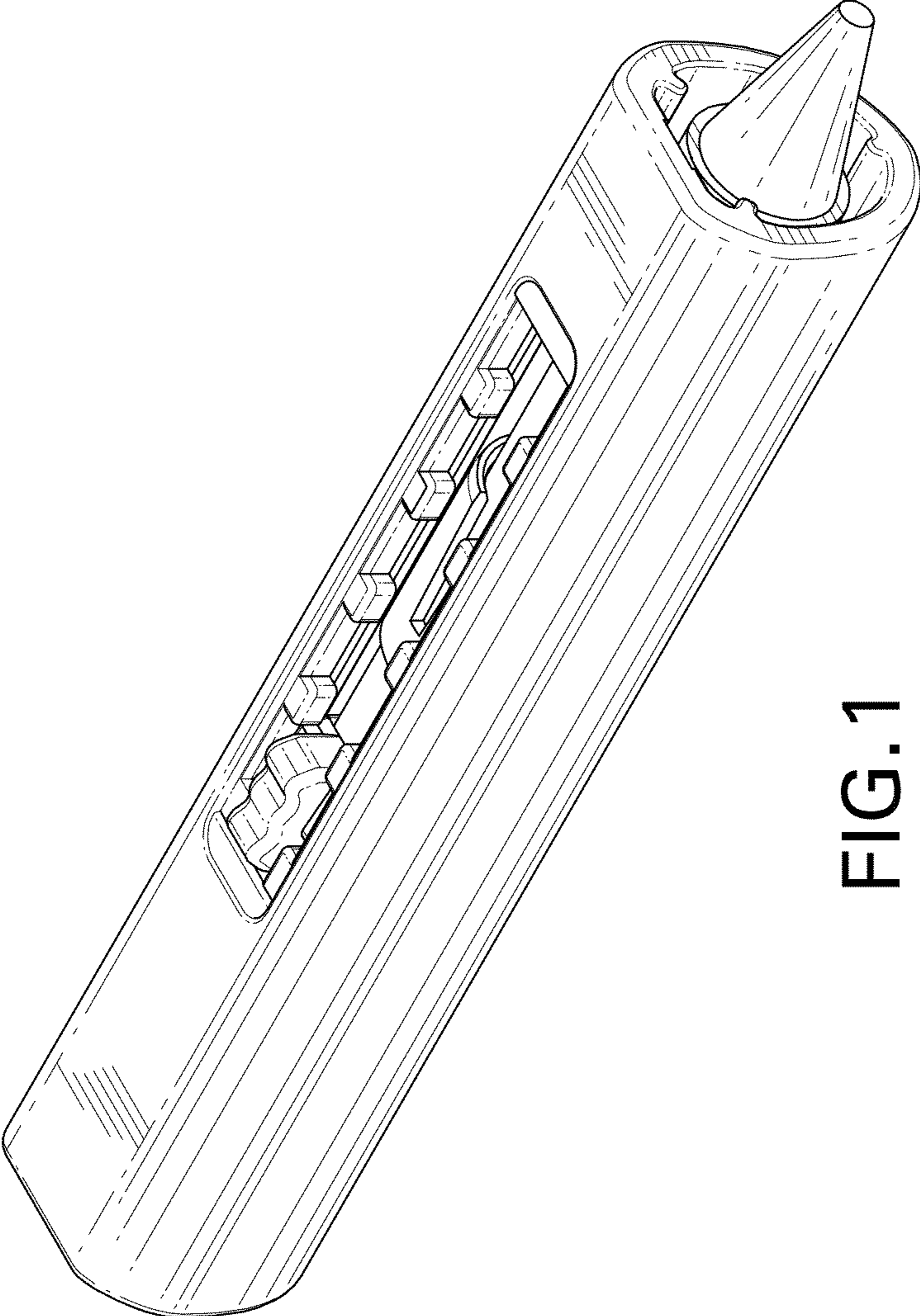


FIG. 1

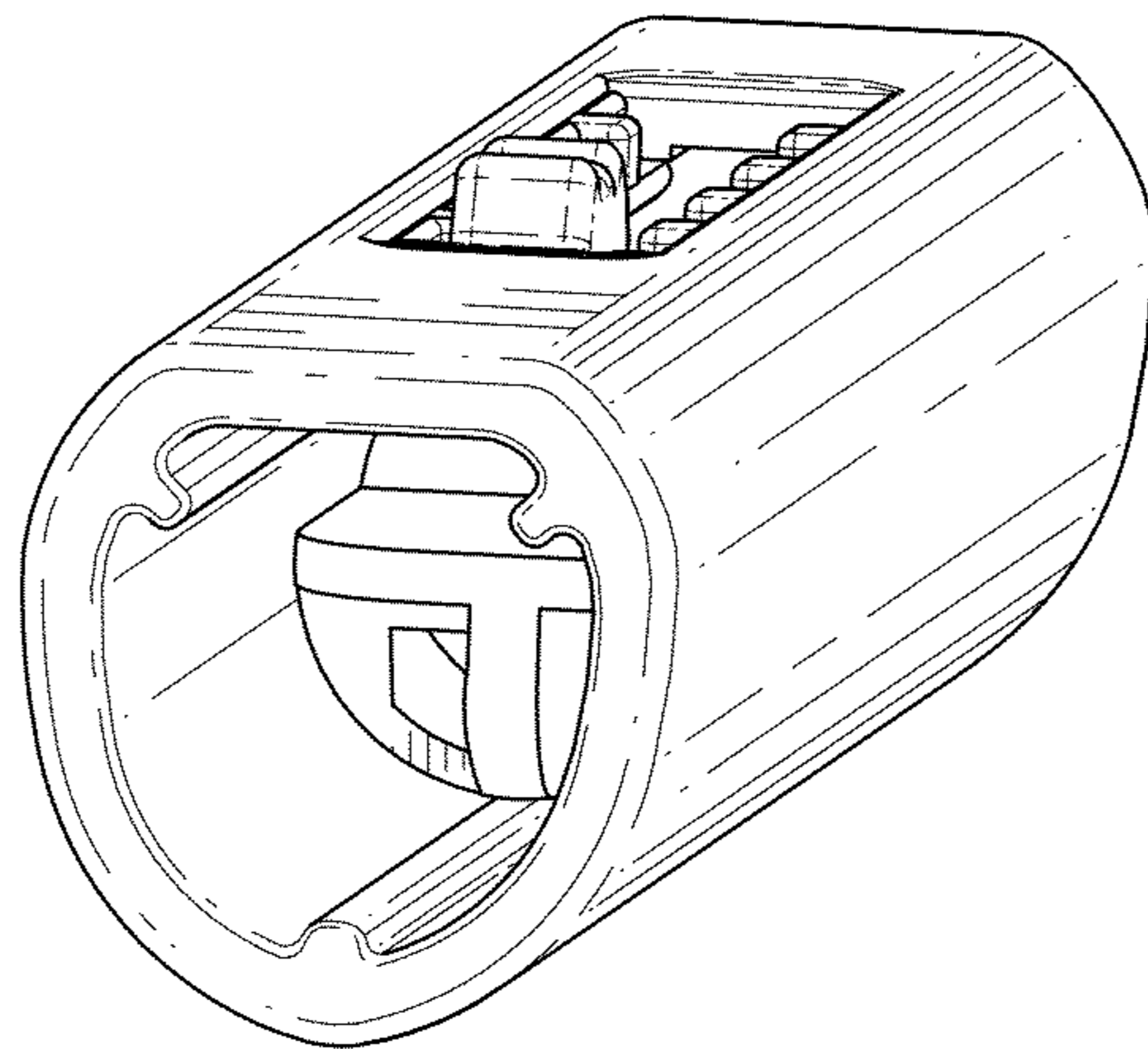


FIG. 2

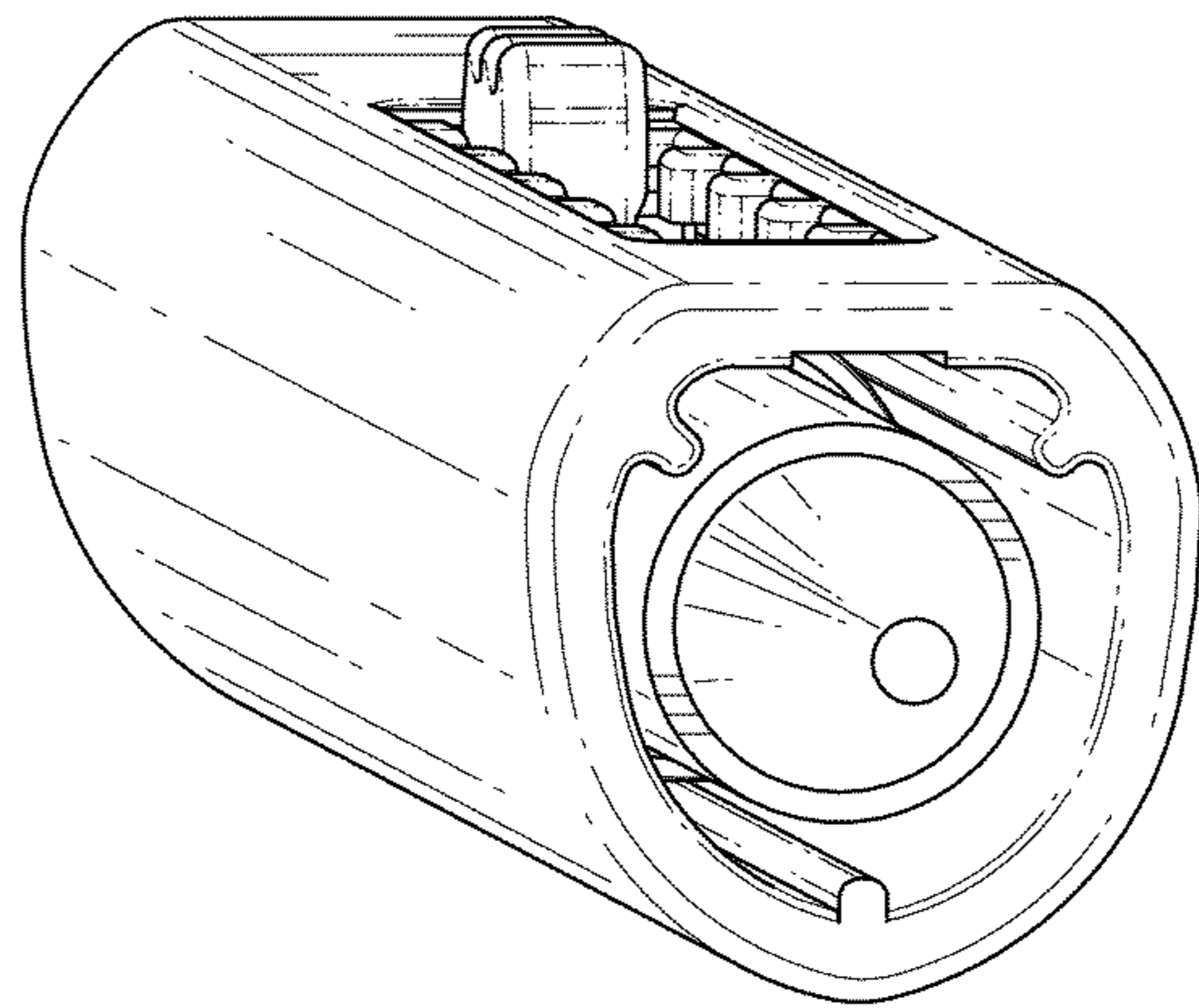


FIG. 3

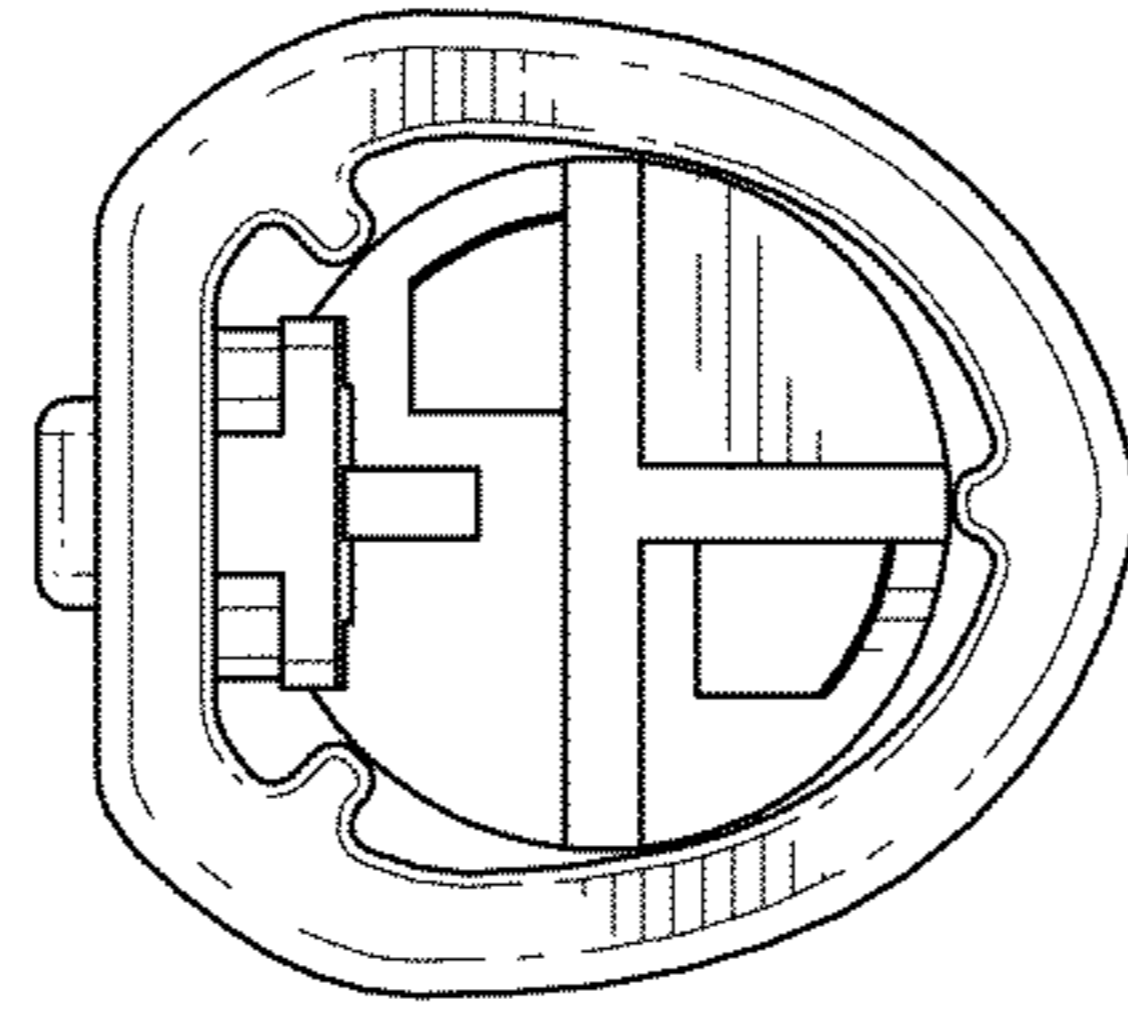


FIG. 5

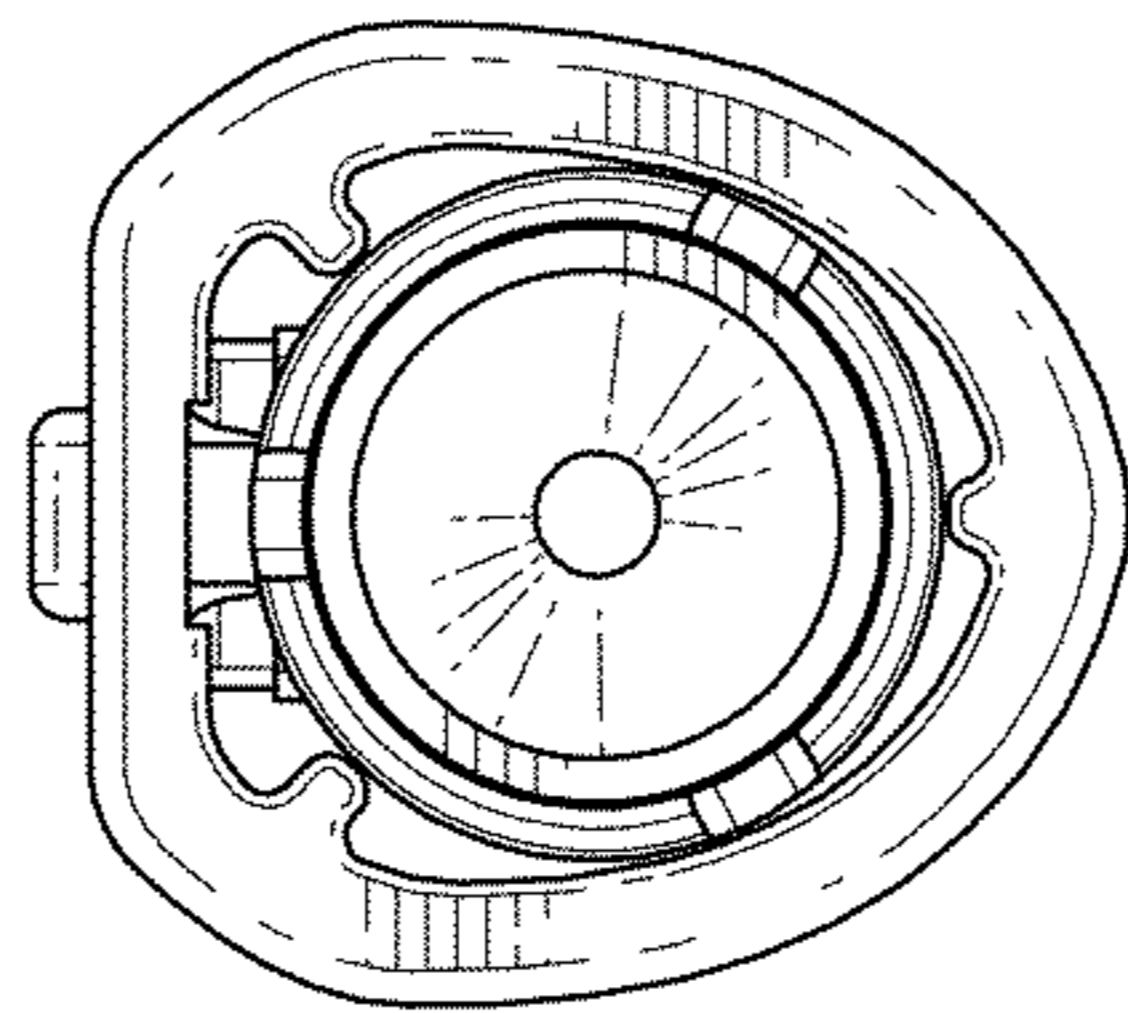


FIG. 4

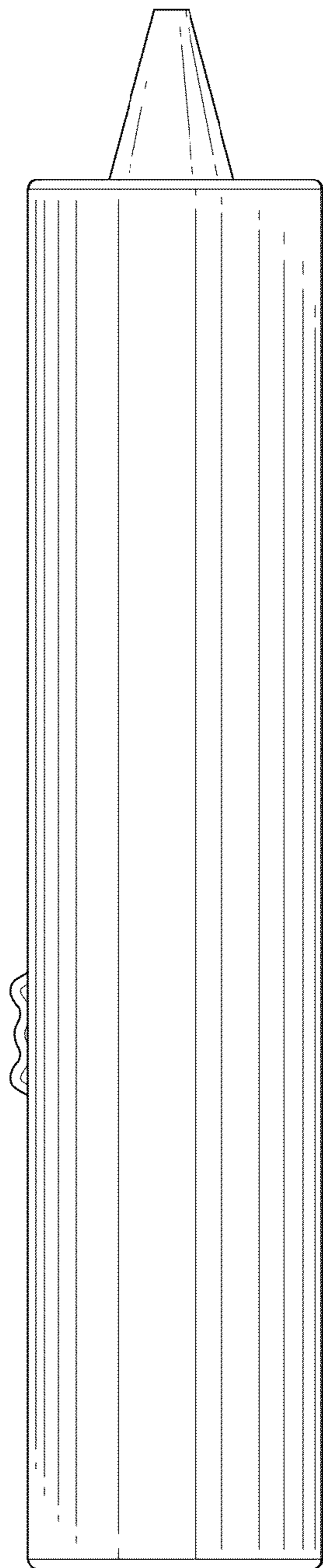


FIG. 6

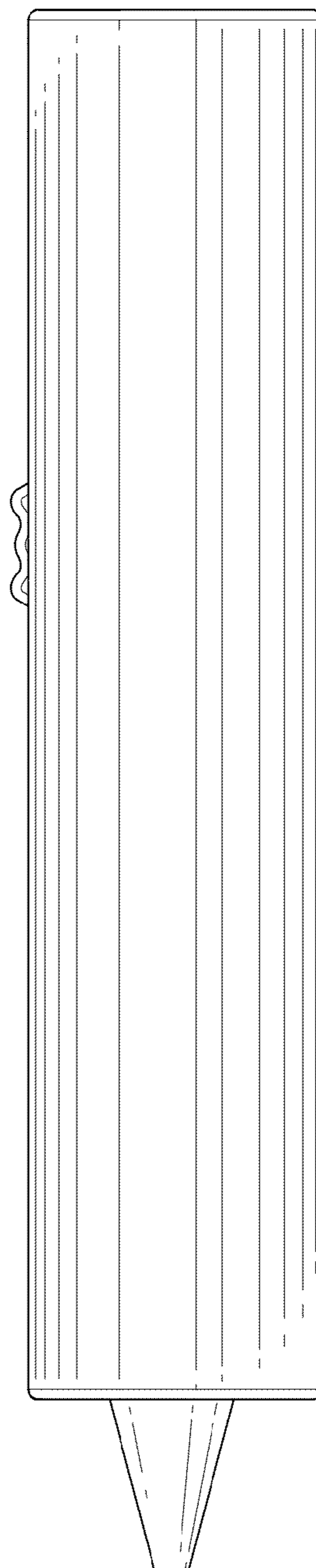


FIG. 7

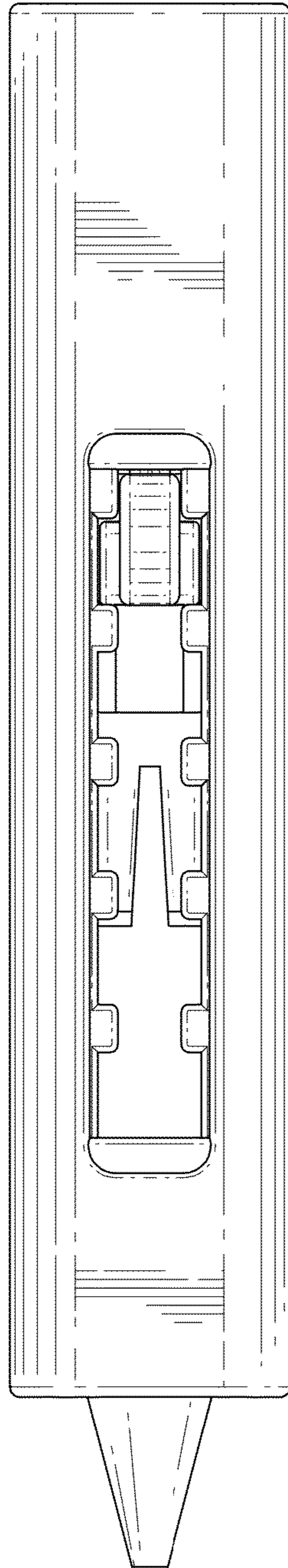


FIG. 8

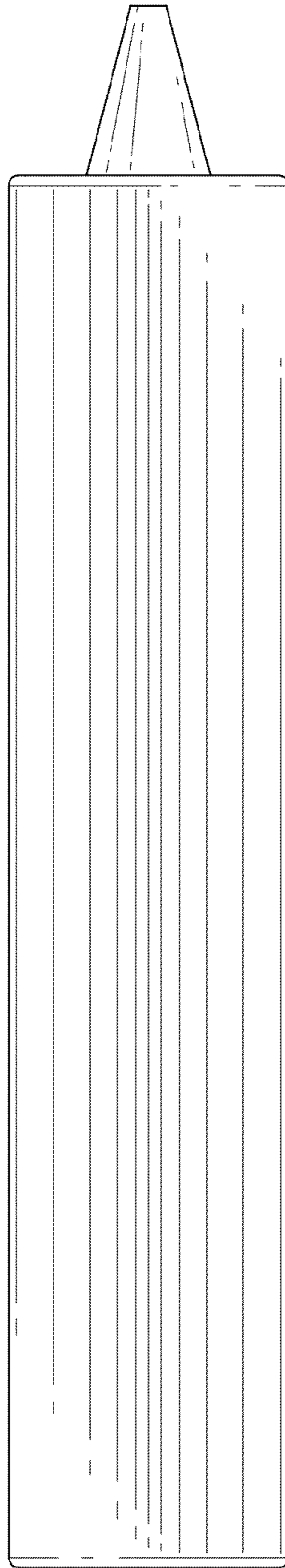


FIG.9