



US00D714384S

(12) **United States Design Patent**
Tam

(10) **Patent No.:** **US D714,384 S**

(45) **Date of Patent:** **** Sep. 30, 2014**

(54) **MARKER**

(71) Applicant: **Rossetta Tam**, Kowloon (HK)

(72) Inventor: **Rossetta Tam**, Kowloon (HK)

(73) Assignee: **Fulon Development Limited**, Kowloon (HK)

(**) Term: **14 Years**

(21) Appl. No.: **29/469,523**

(22) Filed: **Oct. 11, 2013**

(51) **LOC (10) Cl.** **19-06**

(52) **U.S. Cl.**
USPC **D19/163**

(58) **Field of Classification Search**
USPC D14/411, 431; D19/115-204; 24/11 F,
24/11 P, 11 R; 401/52, 99, 109, 192, 195,
401/196; D9/504, 529
See application file for complete search history.

(56) **References Cited**

U.S. PATENT DOCUMENTS

1,942,283	A *	1/1934	Hale	15/105.51
D113,549	S *	2/1939	Chevalier	D9/529
D167,132	S *	7/1952	Bishop	D19/49
D229,297	S *	11/1973	Jeruchim	D9/573
D230,828	S *	3/1974	Jeruchim	D9/529

D244,992	S *	7/1977	Van der Veken	D9/640
D246,998	S *	1/1978	Hill	D28/7
D270,040	S *	8/1983	Perez Casasa y Perez de Guzman	D9/573
D309,913	S *	8/1990	Shintani	D19/43
D311,492	S *	10/1990	Pearse	D9/544
D335,893	S *	5/1993	Hu	D19/43
D470,529	S *	2/2003	Tu	D19/43
D484,792	S *	1/2004	Sgariboldi	D9/694
7,367,280	B1 *	5/2008	Armstrong	116/234
D608,649	S *	1/2010	Rowland et al.	D9/529
D669,529	S *	10/2012	Hung	D19/41
D669,530	S *	10/2012	Hung	D19/41

* cited by examiner

Primary Examiner — Elizabeth Albert

(57) **CLAIM**

The ornamental design for a marker, as shown and described.

DESCRIPTION

FIG. 1 is a front elevational view of a marker showing my new design, the rear elevational view being a mirror image of the front elevational view;

FIG. 2 is a left side view thereof, the right side view being a mirror image of the left side view;

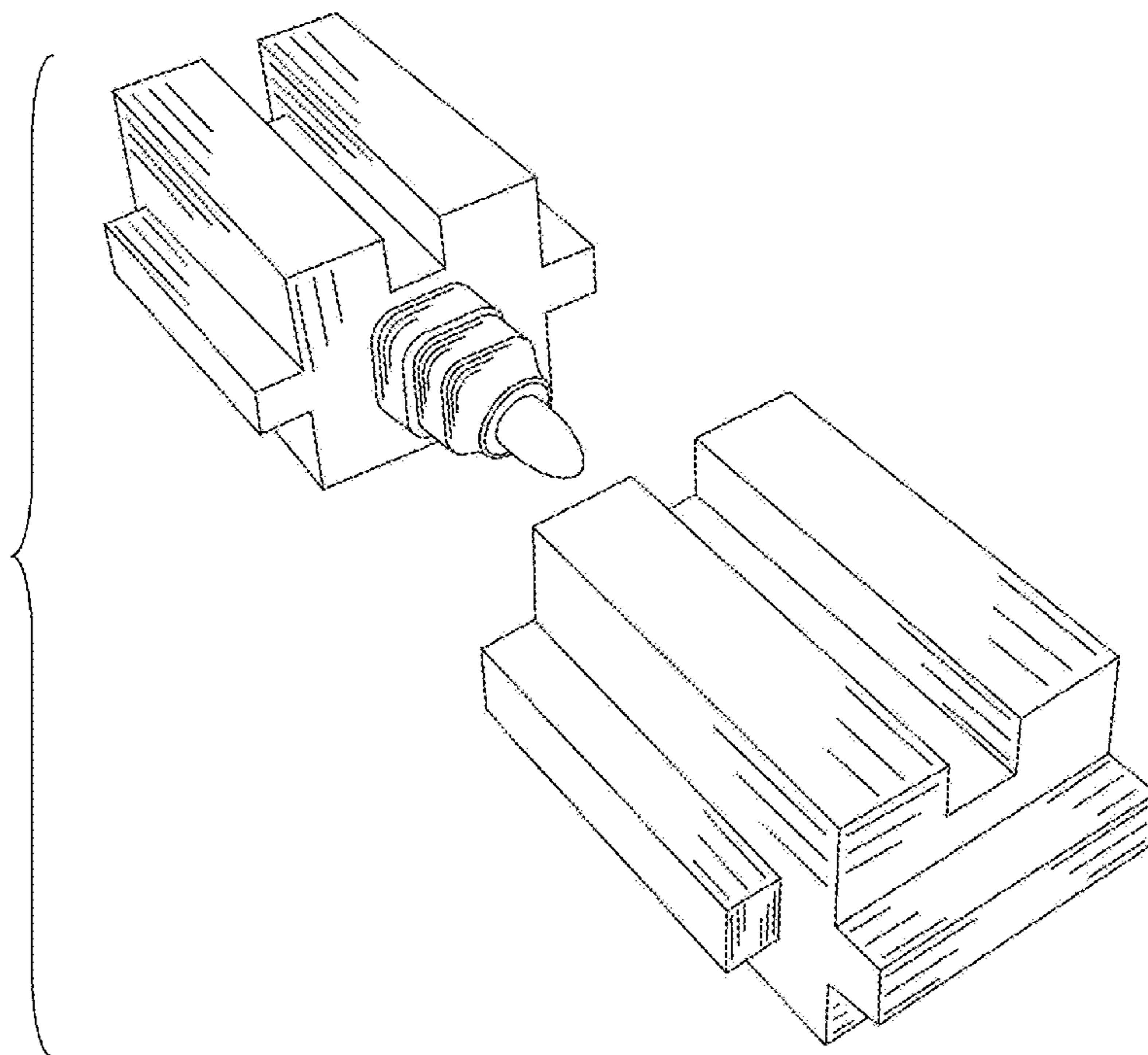
FIG. 3 is a top plan view thereof;

FIG. 4 is a bottom plan view thereof;

FIG. 5 is a perspective thereof; and,

FIG. 6 is a perspective view of the marker with its cap detached.

1 Claim, 3 Drawing Sheets



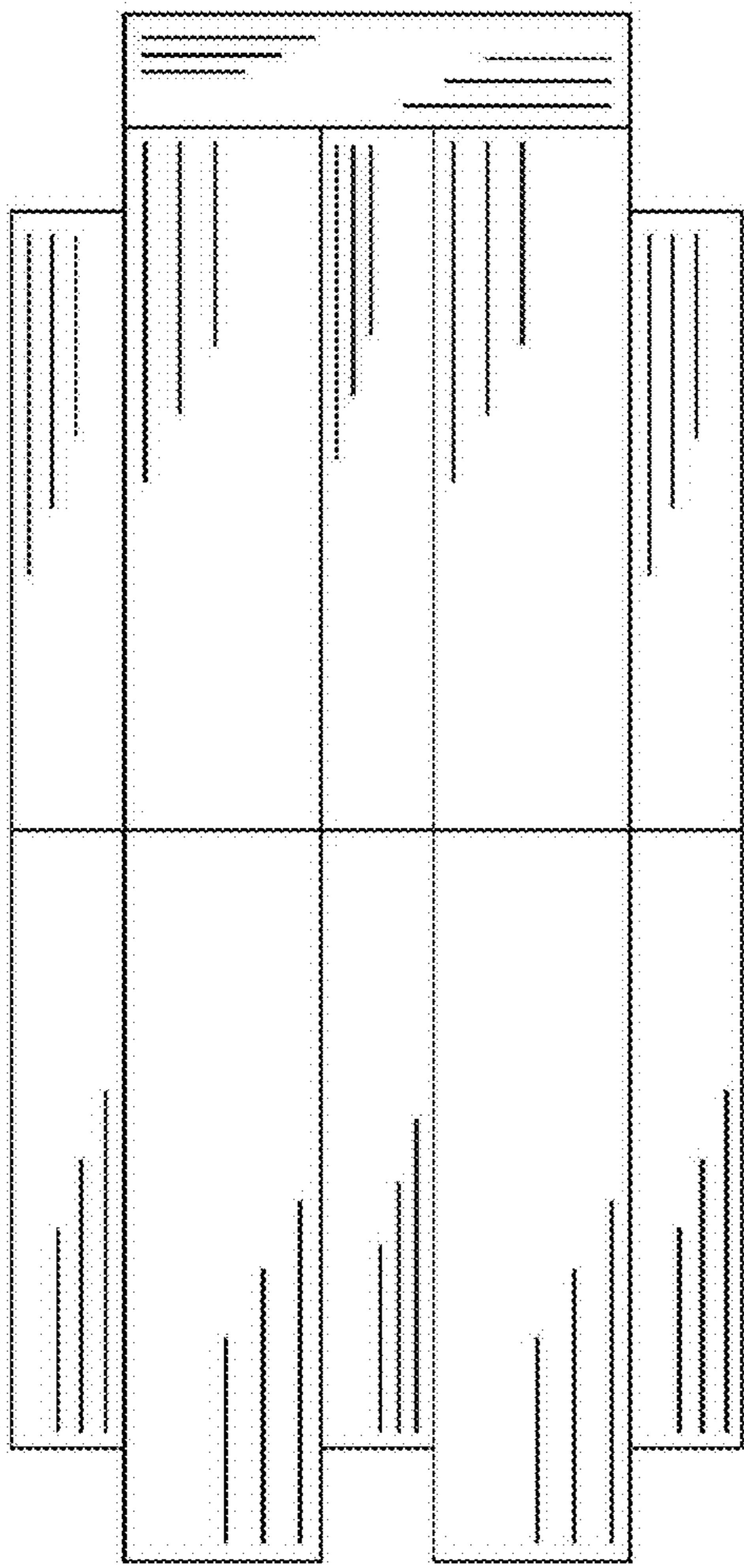


FIG. 1

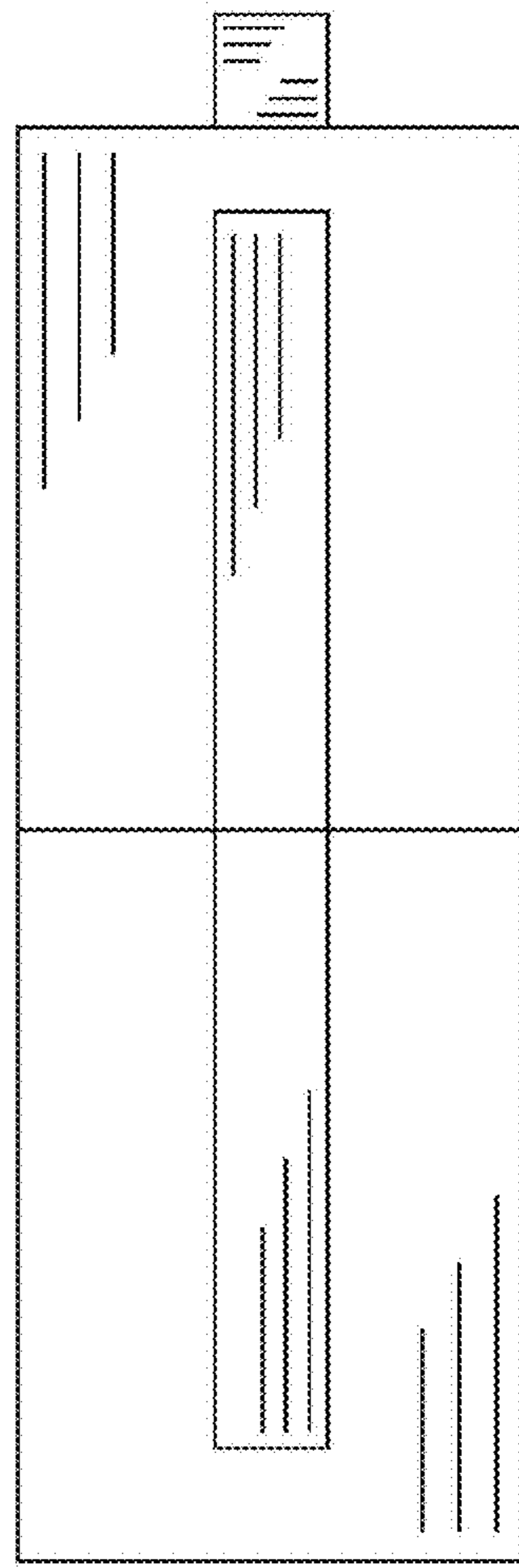


FIG. 2

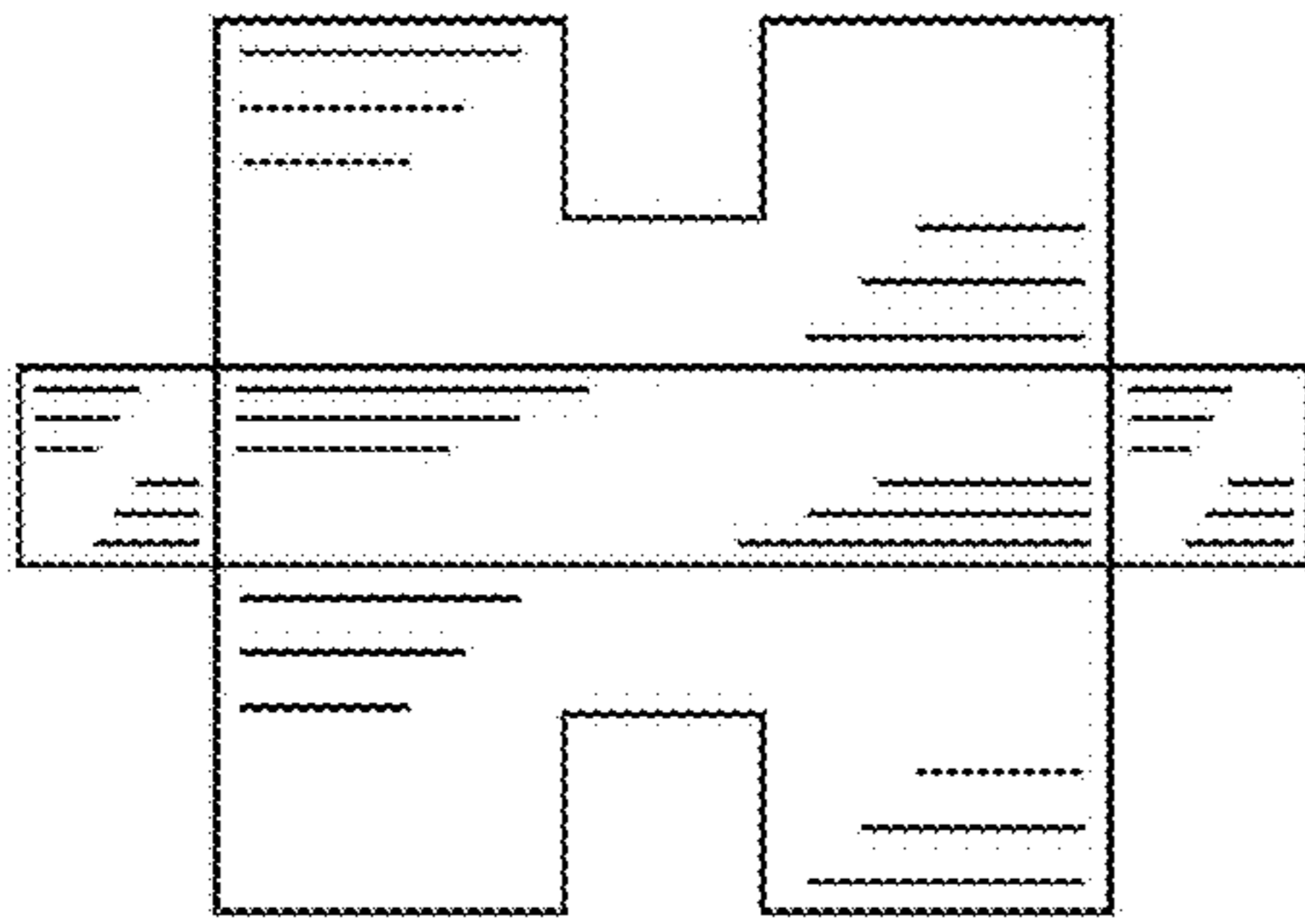


FIG. 3

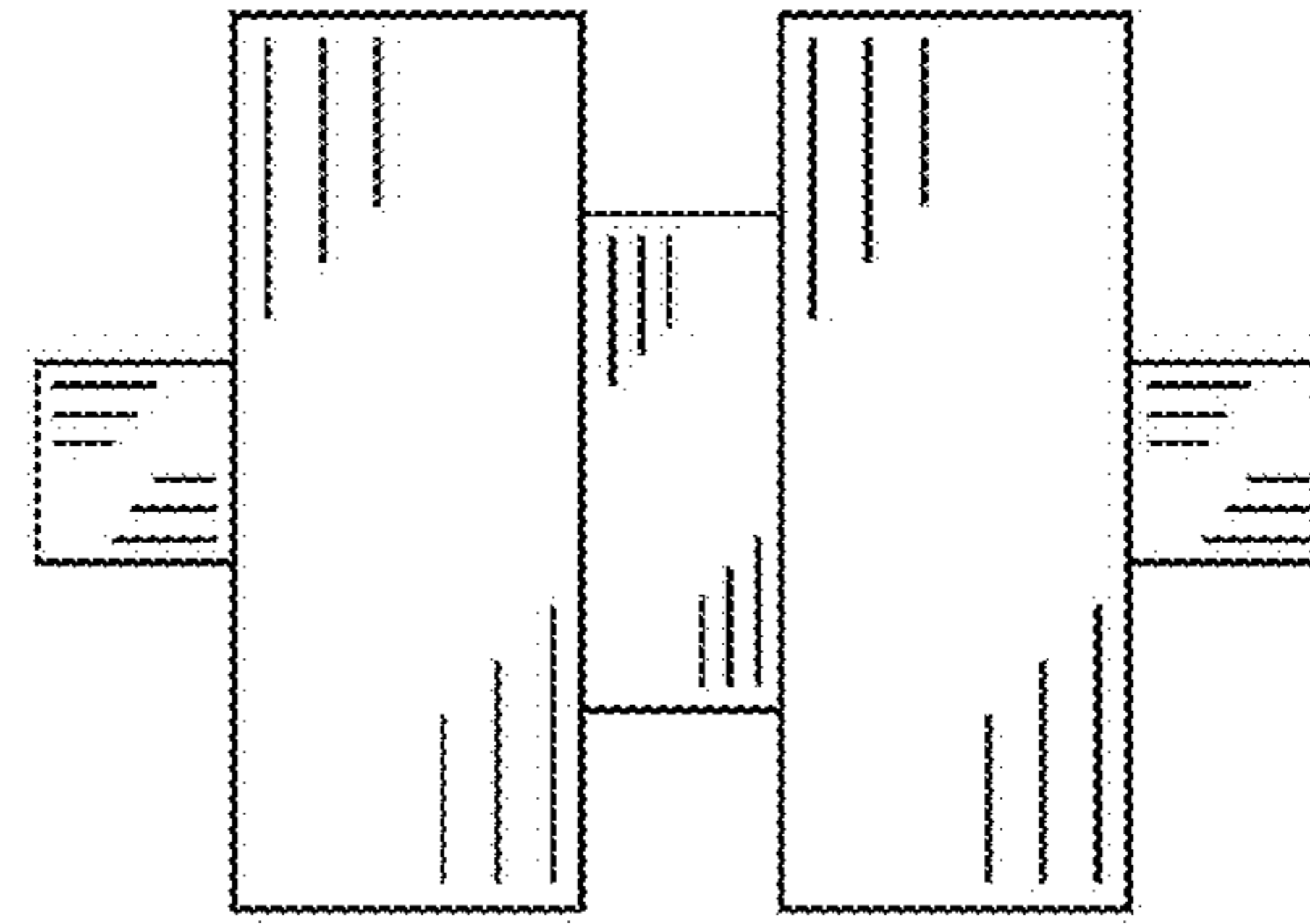


FIG. 4

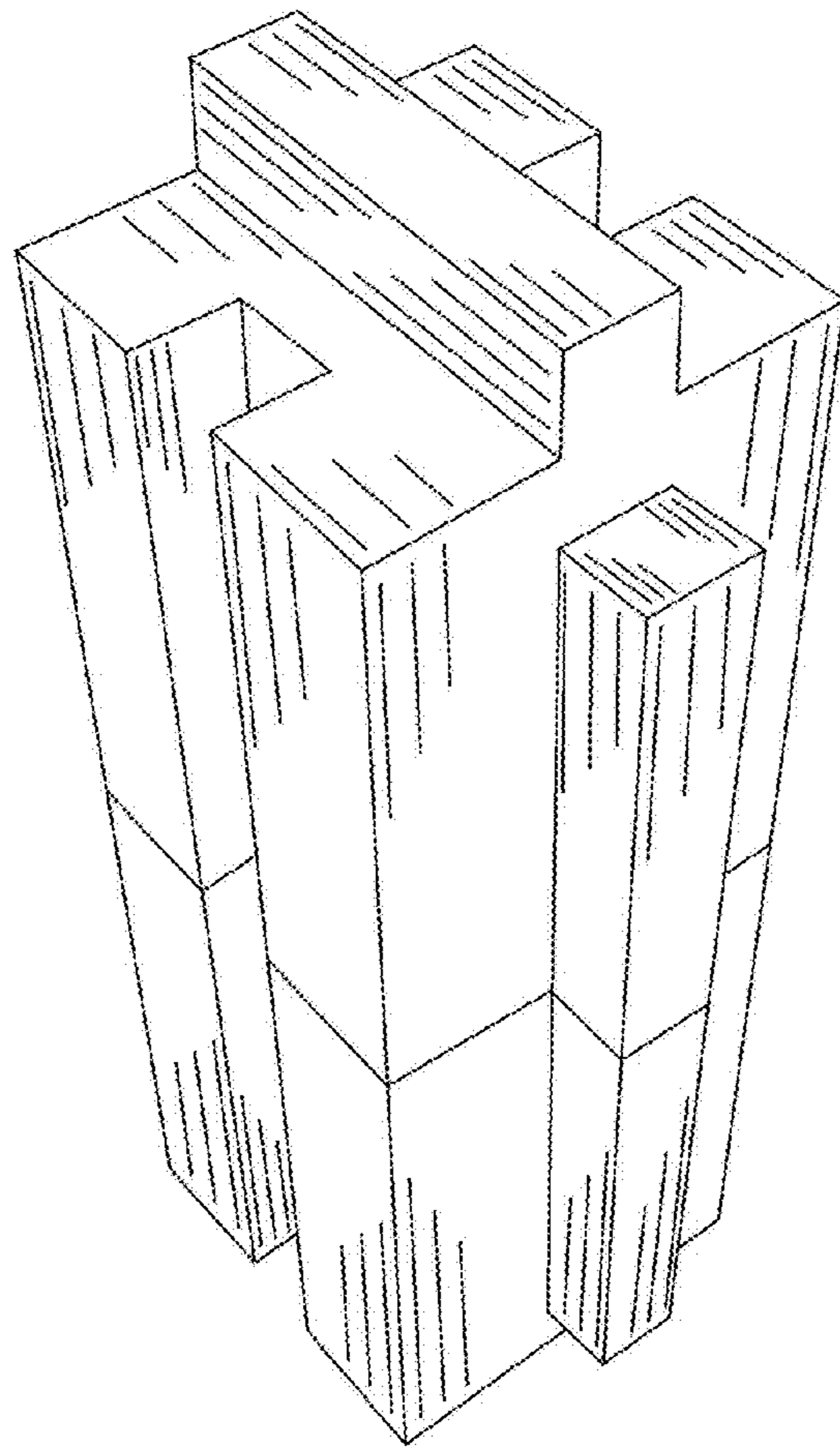


FIG. 5

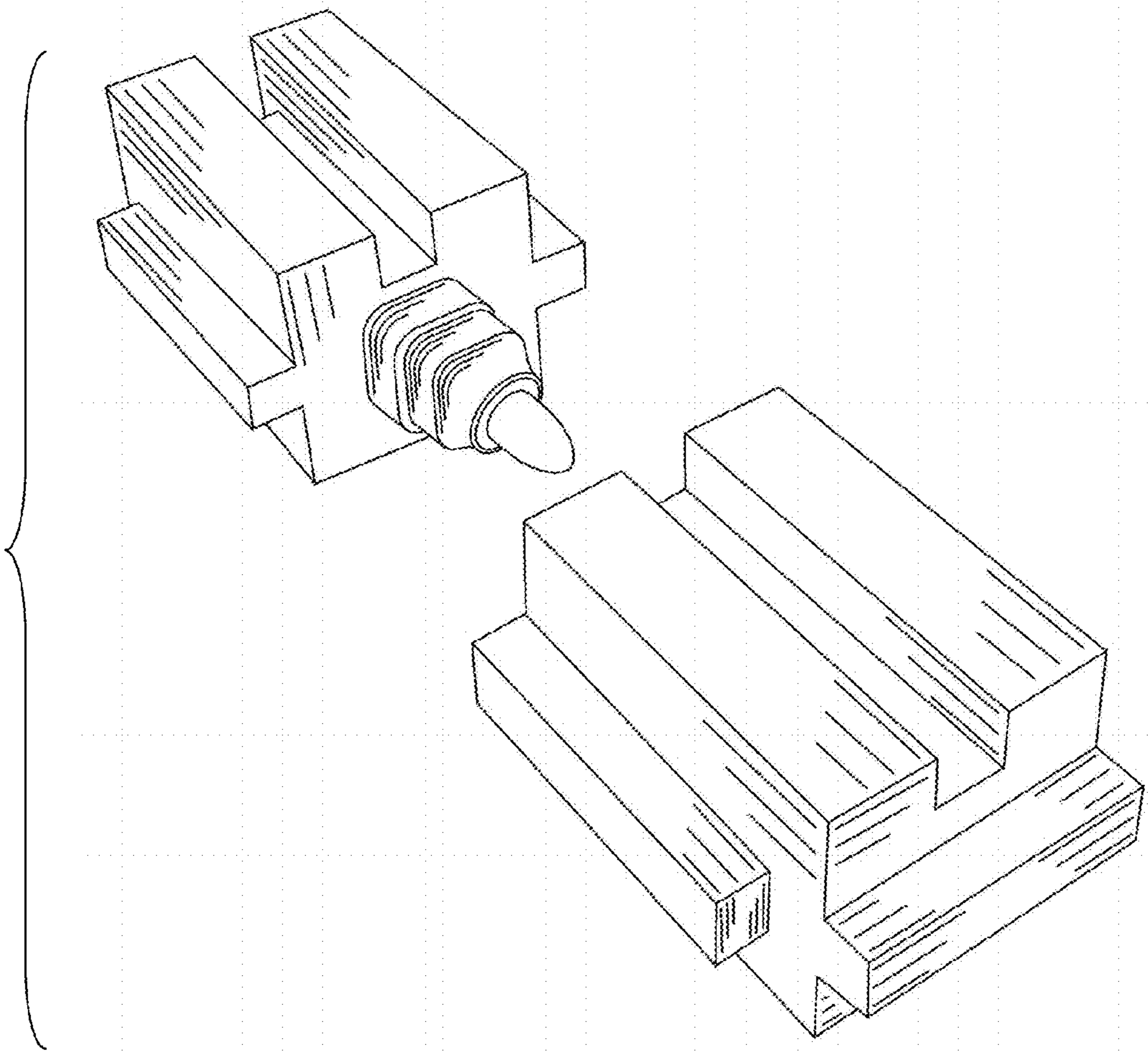


FIG. 6