



US00D714382S

(12) **United States Design Patent**
Ryan

(10) **Patent No.:** **US D714,382 S**

(45) **Date of Patent:** **** *Sep. 30, 2014**

(54) **COMBINED CARPENTER'S PENCIL AND LEVEL**

(71) Applicant: **Jason Ryan, Ottawa (CA)**

(72) Inventor: **Jason Ryan, Ottawa (CA)**

(*) Notice: This patent is subject to a terminal disclaimer.

(**) Term: **14 Years**

(21) Appl. No.: **29/435,880**

(22) Filed: **Oct. 30, 2012**

(30) **Foreign Application Priority Data**

Oct. 5, 2012 (CA) 147815

(51) **LOC (10) Cl.** **19-06**

(52) **U.S. Cl.**
USPC **D19/133; D19/928**

(58) **Field of Classification Search**
USPC D14/411; D19/35, 36, 41-51, 53-58, D19/928; 24/11 F, 11 R, 11 P; 402/52, 402/99-109, 192, 195, 196; D10/69
See application file for complete search history.

(56) **References Cited**

U.S. PATENT DOCUMENTS

D126,555	S	*	4/1941	Gurtov	D8/62
3,984,919	A	*	10/1976	Guisti	33/381
D311,341	S	*	10/1990	Lewis et al.	D10/62
D315,521	S	*	3/1991	Greenland	D10/69
5,075,978	A	*	12/1991	Crowe	33/348.2
D342,088	S	*	12/1993	Sonntag et al.	D19/48
5,433,011	A	*	7/1995	Scarborough et al.	33/376
5,522,146	A	*	6/1996	Warburton	33/347
5,651,186	A	*	7/1997	Lindner et al.	33/377
D388,719	S	*	1/1998	Kohner	D10/69
5,709,034	A	*	1/1998	Kohner	33/377
5,966,826	A	*	10/1999	Ho	33/365

D509,762	S	*	9/2005	Scheyer	D10/69
D525,543	S	*	7/2006	Kallabis	D10/69
D560,521	S	*	1/2008	Katz	D10/69
D573,908	S	*	7/2008	Levinson	D10/69
D574,273	S	*	8/2008	Dolin	D10/69
D579,045	S	*	10/2008	Allemand	D19/45
D579,046	S	*	10/2008	Allemand	D19/47
D598,309	S	*	8/2009	Gofer	D10/69
D607,351	S	*	1/2010	Gofer	D10/69
D645,366	S	*	9/2011	Ryan	D10/69
D654,950	S	*	2/2012	Ryan	
2011/0113638	A1	*	5/2011	Scheyer et al.	33/379
2012/0134736	A1	*	5/2012	Ryan	401/52

* cited by examiner

Primary Examiner — Elizabeth Albert

(74) *Attorney, Agent, or Firm* — Haugen Law Firm PLLP

(57) **CLAIM**

The ornamental design for a combined carpenter's pencil and level, as shown and described.

DESCRIPTION

FIG. 1 is a front perspective view of the combined carpenter's pencil and level;

FIG. 2 is a top plan view of the combined carpenter's pencil and level of FIG. 1;

FIG. 3 is a bottom plan view of the combined carpenter's pencil and level of FIGS. 1-2;

FIG. 4 is a rear elevational view of the combined carpenter's pencil and level of FIGS. 1-3;

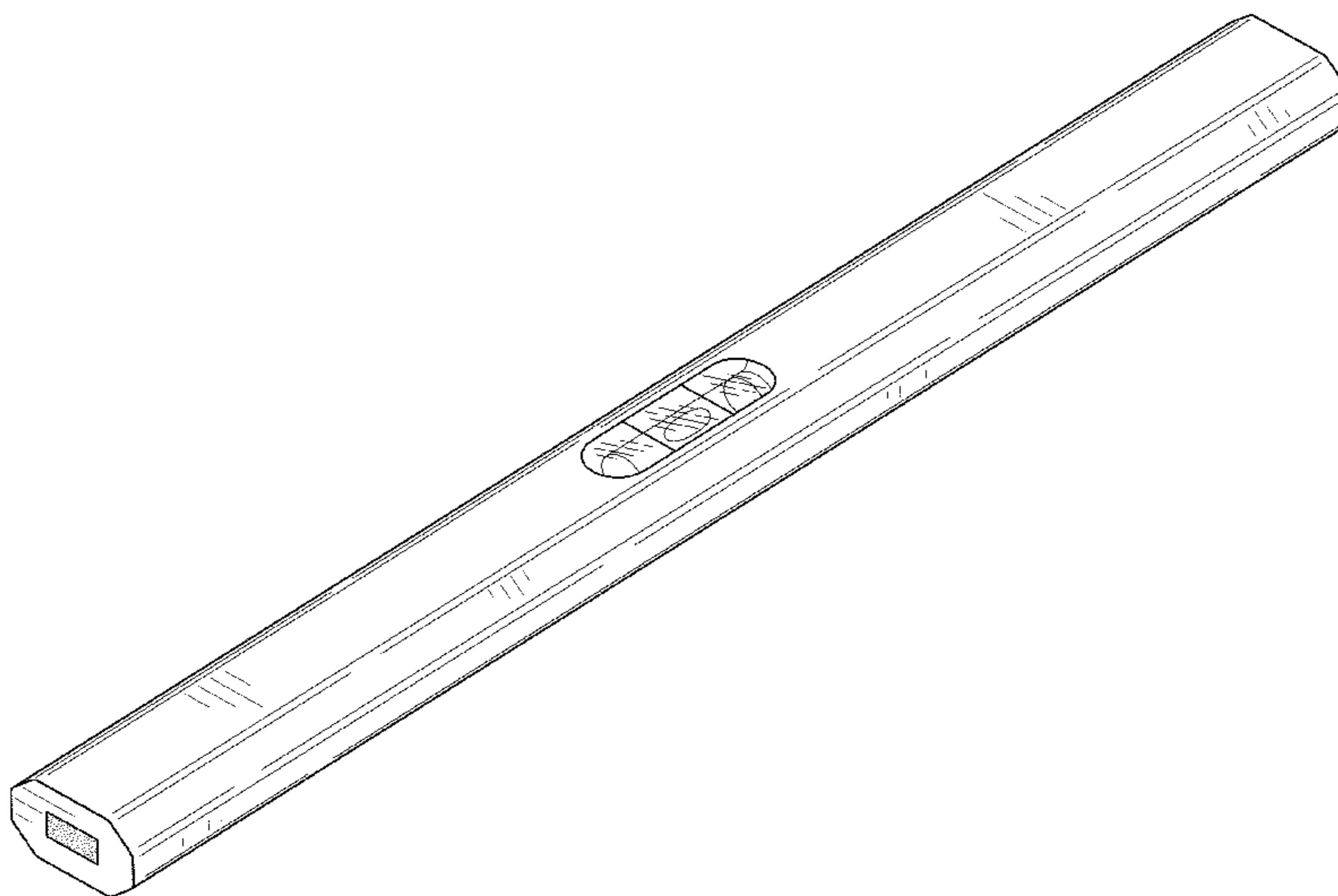
FIG. 5 is a front elevational view of the combined carpenter's pencil and level of FIGS. 1-4;

FIG. 6 is a right side elevational view of the combined carpenter's pencil and level of FIGS. 1-5; and,

FIG. 7 is a left side elevational view of the combined carpenter's pencil and level of FIGS. 1-6.

The broken line showing of environmental structure is for illustrative purposes only, and forms no part of the claimed design.

1 Claim, 2 Drawing Sheets



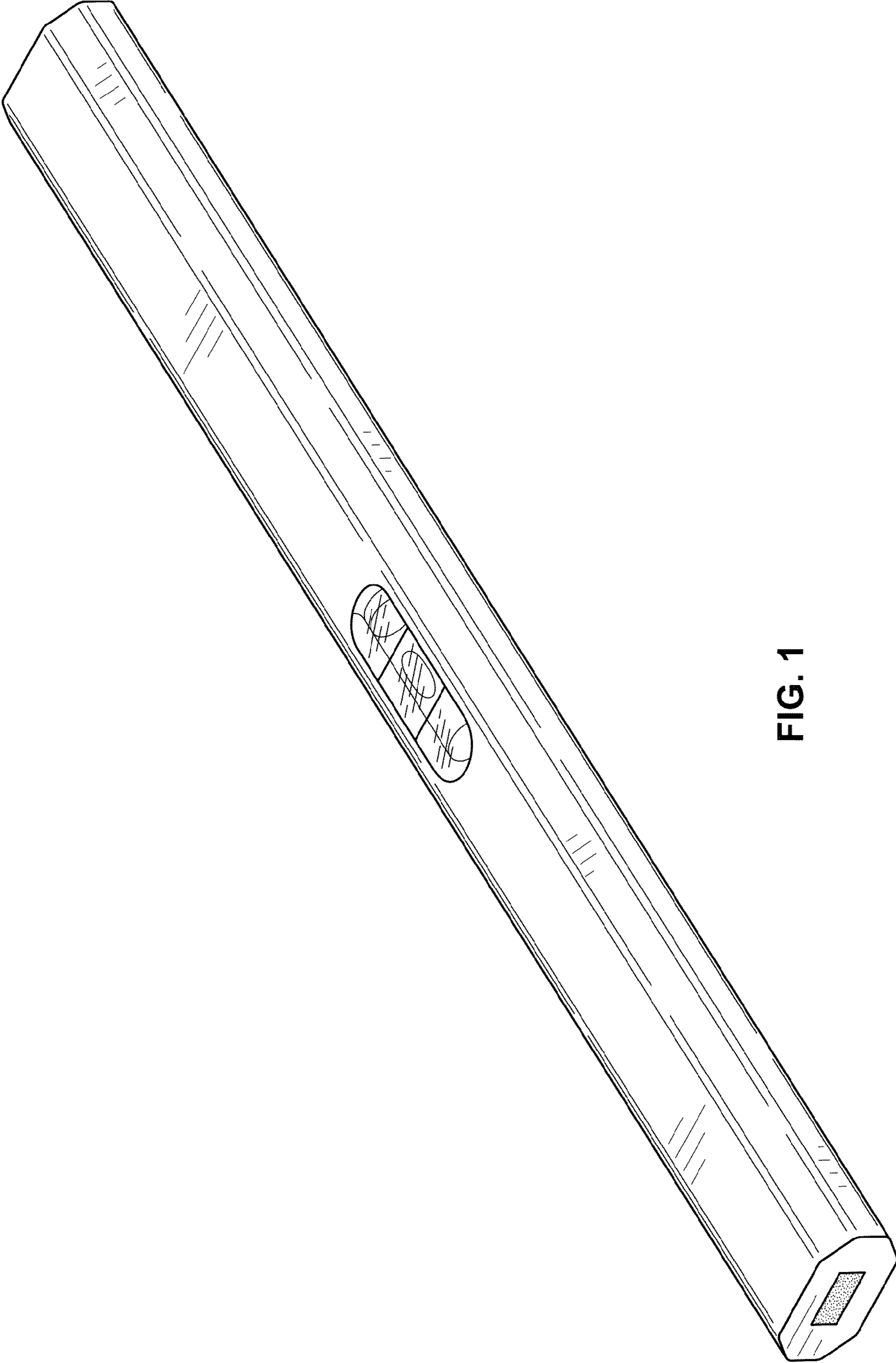


FIG. 1

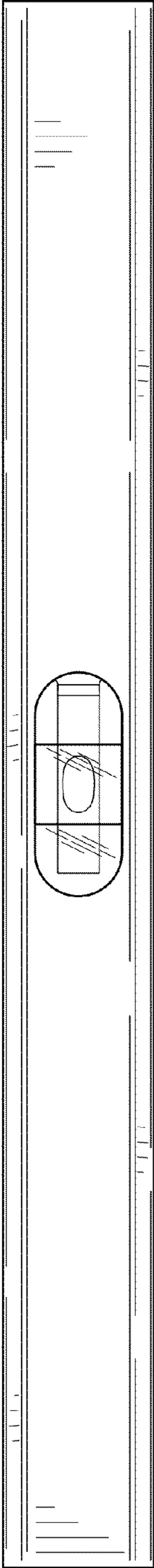


FIG. 2

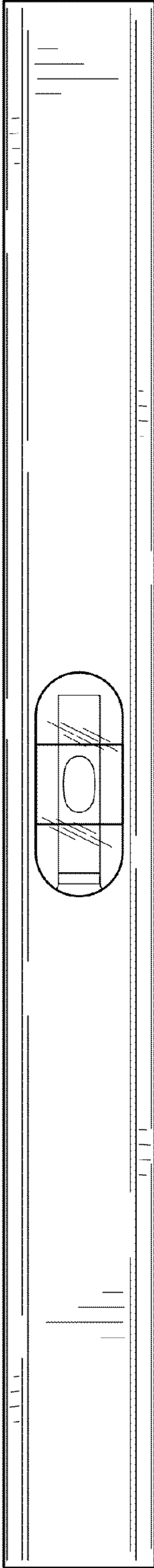


FIG. 3

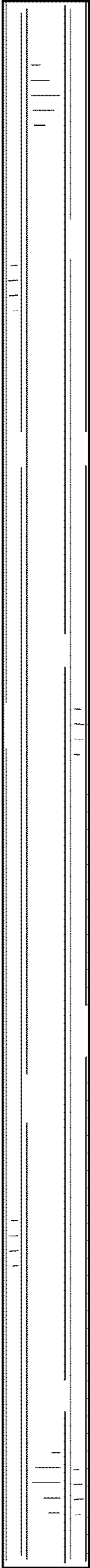


FIG. 4

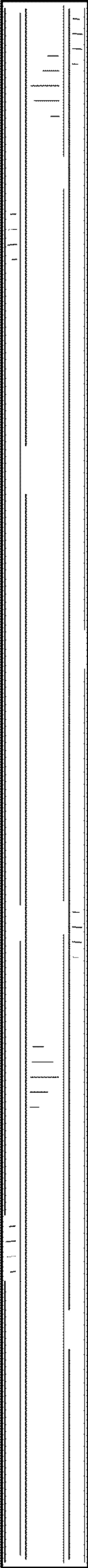


FIG. 5

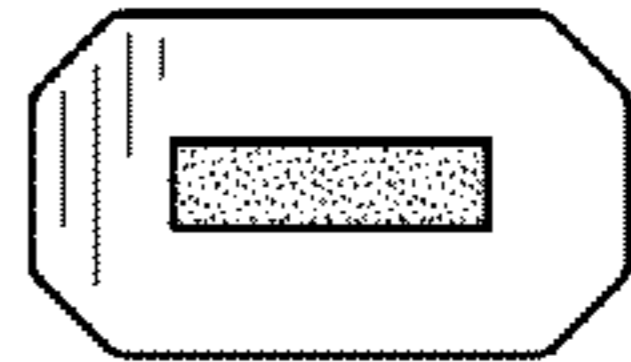


FIG. 6

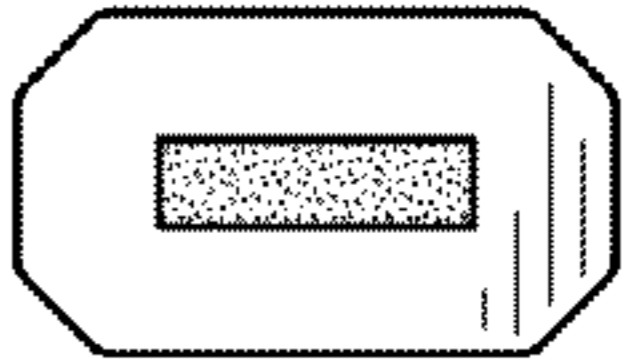


FIG. 7