



US00D714378S

(12) **United States Design Patent**
Sandor

(10) **Patent No.:** **US D714,378 S**

(45) **Date of Patent:** **** Sep. 30, 2014**

- (54) **SPORTS GOGGLE**
- (75) Inventor: **Brent Sandor**, Encinitas, CA (US)
- (73) Assignee: **Spy Optic Inc.**, Carlsbad, CA (US)
- (**) Term: **14 Years**
- (21) Appl. No.: **29/417,471**
- (22) Filed: **Apr. 4, 2012**
- (51) **LOC (10) Cl.** **16-06**
- (52) **U.S. Cl.**
USPC **D16/313**
- (58) **Field of Classification Search**
CPC G02C 11/08; G02C 3/003; G02C 11/12;
G02C 2200/04; G02C 3/00; G02C 5/00;
G02C 5/124; G02C 5/2263; G02C 9/04;
A42B 3/042; A42B 3/20; G02B 23/125
USPC D14/330, 206, 372; 2/426, 6.3, 427,
2/428, 430, 431, 432, 434, 435, 437, 439,
2/447, 452; D24/157, 110.2, 3.3;
D29/109; D16/100, 341, 338, 323,
D16/309, 336, 326, 325, 300, 235, 327, 330,
D16/136, 312, 313, 340, 339, 217, 335,
D16/321; 351/153, 158, 243; 348/51, 53;
349/11; 455/344

See application file for complete search history.

(56) **References Cited**

U.S. PATENT DOCUMENTS

2,526,737 A	10/1950	Farina
3,056,140 A	10/1962	Lindblom
3,298,031 A	1/1967	Morgan
3,363,262 A	1/1968	Lindblom
3,377,626 A	4/1968	Smith
3,395,406 A	8/1968	Smith
3,505,680 A	4/1970	Ring
3,533,686 A	10/1970	O'Shea
3,754,298 A	8/1973	Menil
3,783,452 A	1/1974	Benson et al.

3,825,953 A	7/1974	Hunter
3,896,496 A	7/1975	Leblanc et al.
3,924,271 A	12/1975	Hirschmann, Jr.
3,931,646 A	1/1976	Loughner
3,945,044 A	3/1976	McGee et al.
4,011,595 A	3/1977	Shields
4,149,276 A	4/1979	Castro
4,150,443 A	4/1979	McNeilly
4,176,410 A	12/1979	Matthias
4,264,987 A	5/1981	Runckel
4,290,673 A	9/1981	Yamamoto
4,317,240 A	3/1982	Angerman et al.
4,425,669 A	1/1984	Grendol et al.
4,428,081 A	1/1984	Smith
4,443,893 A	4/1984	Yamamoto
4,447,914 A	5/1984	Jannard
4,455,689 A	6/1984	Boyer
4,528,701 A	7/1985	Smith
4,556,995 A	12/1985	Yamamoto

(Continued)

Primary Examiner — Robert M Spear

Assistant Examiner — Eliza Bennett-Hattan

(74) *Attorney, Agent, or Firm* — Stetina Brunda Garred & Brucker

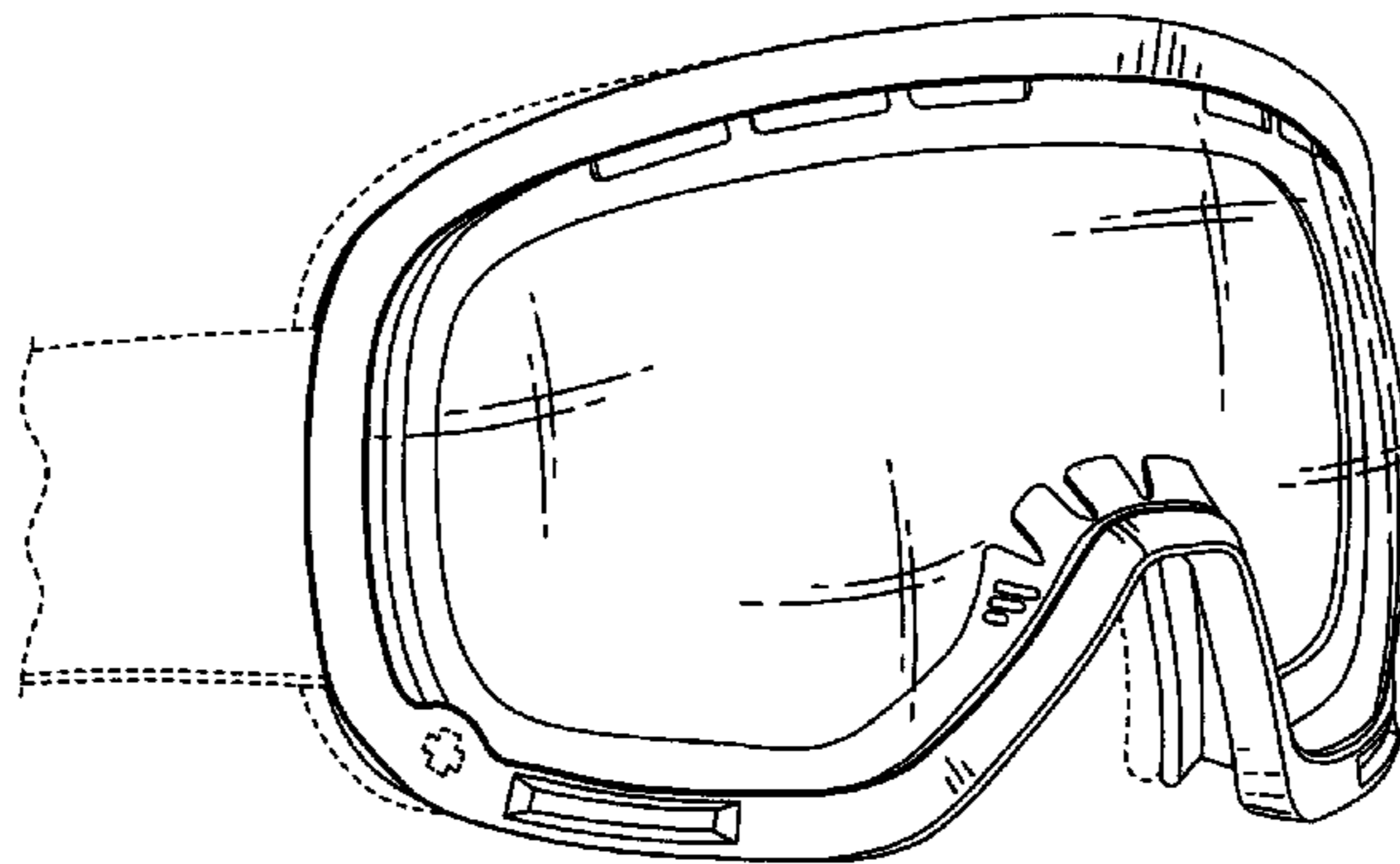
(57) **CLAIM**

The ornamental design for a sports goggle, as shown and described.

DESCRIPTION

FIG. 1 is a front perspective view of the sports goggle of the present invention showing my new design;
 FIG. 2 is a front plan view thereof;
 FIG. 3 is a right side elevational view thereof;
 FIG. 4 is a left side elevational view thereof;
 FIG. 5 is a rear elevational view thereof;
 FIG. 6 is a top plan view thereof; and,
 FIG. 7 is a bottom plan view thereof.
 The dotted lines depict environmental structure and form no part of the claimed design.

1 Claim, 3 Drawing Sheets



(56)

References Cited

U.S. PATENT DOCUMENTS

4,571,748 A	2/1986	Carroll et al.	6,092,243 A	7/2000	Wu et al.
4,603,442 A	8/1986	Barfield	6,094,751 A	8/2000	Parks
4,689,838 A	9/1987	Angermann	6,098,204 A	8/2000	Arnette
4,707,863 A	11/1987	McNeal	6,098,205 A	8/2000	Schwartz et al.
4,716,601 A	1/1988	McNeal	6,099,120 A	8/2000	De Lima
4,868,929 A	9/1989	Curcio	6,105,177 A	8/2000	Paulson et al.
4,918,753 A	4/1990	Mermillod	6,119,276 A	9/2000	Newcomb et al.
4,977,627 A	12/1990	Metcalf et al.	6,138,285 A	10/2000	Robrahn et al.
4,989,274 A	2/1991	Patelski, III	6,138,286 A	10/2000	Robrahn et al.
5,018,223 A	5/1991	Dawson et al.	D439,596 S	3/2001	Bolle
5,027,443 A	7/1991	Watkins	D442,206 S	5/2001	Meyerhoffer
5,046,200 A	9/1991	Feder	6,227,665 B1	5/2001	Pernicka et al.
5,056,163 A	10/1991	Chou	6,253,387 B1	7/2001	Yu
5,069,541 A	12/1991	Holmes et al.	6,282,727 B1	9/2001	Lindahl
5,093,940 A	3/1992	Nishiyama	6,282,728 B1	9/2001	Baragar et al.
5,138,723 A	8/1992	Bolle	D450,833 S	11/2001	Olivieri
5,182,817 A	2/1993	Branum	6,321,391 B1	11/2001	Basso
D334,758 S	4/1993	Reymondet et al.	D457,545 S	5/2002	Khulusi
5,213,241 A	5/1993	Dewar et al.	D457,551 S	5/2002	Khulusi
5,216,759 A	6/1993	Hewitt et al.	6,415,452 B1	7/2002	Watanabe et al.
5,339,119 A	8/1994	Gardner	6,460,196 B2	10/2002	Tsubooka et al.
5,341,516 A	8/1994	Keim	6,467,098 B1	10/2002	Lee
D351,850 S	10/1994	Bolle	D477,010 S	7/2003	Moritz et al.
5,363,512 A	11/1994	Grabos, Jr. et al.	6,611,965 B1	9/2003	Lee
5,371,555 A	12/1994	Nagel	6,611,966 B1	9/2003	Yamamoto et al.
D358,159 S	5/1995	Lai	6,615,409 B2 *	9/2003	Youmans et al. 2/432
5,410,763 A	5/1995	Bolle	6,637,038 B1	10/2003	Hussey
5,421,037 A	6/1995	Schulze	6,665,885 B2	12/2003	Masumoto
5,423,092 A	6/1995	Kawai	6,691,324 B1	2/2004	Nakamura
5,452,480 A	9/1995	Ryden	6,704,944 B2	3/2004	Kawainishi et al.
D364,181 S	11/1995	Arnette	6,715,157 B2	4/2004	Mage
5,471,036 A	11/1995	Sperbeck	6,718,561 B2	4/2004	Dondero
D367,664 S	3/1996	Simioni	6,728,974 B2	5/2004	Wadsworth
5,495,623 A	3/1996	Leonardi	6,732,382 B2	5/2004	Dondero
5,517,700 A	5/1996	Hoffman	6,732,383 B2	5/2004	Cleary et al.
D371,566 S	7/1996	Kolada et al.	6,772,448 B1	8/2004	Hockaday et al.
5,542,130 A	8/1996	Grabos et al.	6,826,785 B2	12/2004	McNeal
5,617,588 A	4/1997	Canavan et al.	D505,444 S	5/2005	Borlet et al.
5,628,072 A	5/1997	Haslbeck	6,896,366 B2	5/2005	Rice et al.
5,636,388 A	6/1997	Hodges	D509,236 S	9/2005	Sheldon
5,642,530 A	7/1997	Parks	6,964,067 B1	11/2005	Hartman
5,650,866 A	7/1997	Haslbeck	6,986,169 B2	1/2006	Nakamura
5,652,965 A	8/1997	Crooks	7,039,959 B2	5/2006	Dondero
5,655,228 A	8/1997	Chiang	7,052,127 B2	5/2006	Harrison
5,657,106 A	8/1997	Herald, Jr. et al.	7,058,992 B1	6/2006	Ogonowsky
5,657,493 A	8/1997	Ferrero et al.	7,062,797 B2	6/2006	Khulusi
5,685,022 A	11/1997	Essman et al.	7,073,208 B2	7/2006	Penque, Jr. et al.
5,687,428 A	11/1997	Yamamoto	7,096,514 B2	8/2006	Khulusi
5,689,834 A	11/1997	Wilson	7,100,215 B2	9/2006	Shiue
5,711,035 A	1/1998	Haslbeck	7,137,153 B2	11/2006	Hussey
D390,248 S	2/1998	Pranger	D537,098 S	2/2007	Sheldon et al.
D391,594 S	3/1998	Huh	7,181,779 B2	2/2007	Hussey
5,768,716 A	6/1998	Porsche	7,192,137 B2	3/2007	Ishibashi et al.
5,802,622 A	9/1998	Baharad et al.	7,200,875 B2	4/2007	Dondero
5,809,580 A	9/1998	Arnette	D542,327 S	5/2007	Hsu
5,813,990 A	9/1998	Ryll	D542,829 S	5/2007	Hsu
5,815,235 A	9/1998	Runckel	D542,830 S	5/2007	Hsu
5,818,569 A	10/1998	Berent	7,260,850 B2	8/2007	Ambuske et al.
5,845,341 A	12/1998	Barthold et al.	D550,749 S	9/2007	Chiang
D405,102 S	2/1999	Moritz et al.	D552,662 S *	10/2007	Woxing D16/312
5,867,841 A	2/1999	Chiang	7,290,294 B2	11/2007	Kita
D408,431 S	4/1999	Simioni	D559,299 S	1/2008	Tabacchi
5,915,542 A	6/1999	Swiet	7,343,631 B2	3/2008	Liu
5,927,281 A	7/1999	Monteleone et al.	7,356,854 B2	4/2008	Sheldon
5,937,439 A	8/1999	Barthold et al.	7,370,374 B2	5/2008	Penque, Jr. et al.
5,940,891 A	8/1999	Lane	7,404,217 B2 *	7/2008	Polinelli et al. 2/435
D413,915 S	9/1999	Newcomb et al.	7,407,283 B2	8/2008	Babineau
5,966,745 A	10/1999	Schwartz et al.	7,510,279 B2	3/2009	Van Atta et al.
5,966,746 A	10/1999	Reedy et al.	D591,786 S	5/2009	Wang
6,009,564 A	1/2000	Tackles et al.	7,526,813 B2	5/2009	Tominaga et al.
6,038,707 A	3/2000	Ryden et al.	D598,040 S	8/2009	Sheldon et al.
6,047,410 A	4/2000	Dondero	D616,915 S *	6/2010	Silveria et al. D16/312
6,049,917 A	4/2000	Ryden	D626,166 S *	10/2010	Yang D16/312
6,076,196 A	6/2000	Masumoto	D626,582 S *	11/2010	Cheng D16/326
D428,039 S *	7/2000	Thixton D16/312	D649,577 S	11/2011	Goodman et al.
			D687,479 S *	8/2013	Moritz et al. D16/312
			2002/0148034 A1	10/2002	Lee
			2002/0157175 A1	10/2002	Dondero
			2003/0110552 A1 *	6/2003	Youmans et al. 2/426

(56)

References Cited

U.S. PATENT DOCUMENTS

2005/0128426 A1 6/2005 Shiue
2006/0048289 A1 3/2006 Shiue
2006/0191062 A1 8/2006 Matera

2007/0033718 A1 2/2007 Lin
2009/0019620 A1 1/2009 Reed
2009/0038059 A1 2/2009 McNeal et al.
2009/0122258 A1 5/2009 Fielding, Jr.

* cited by examiner

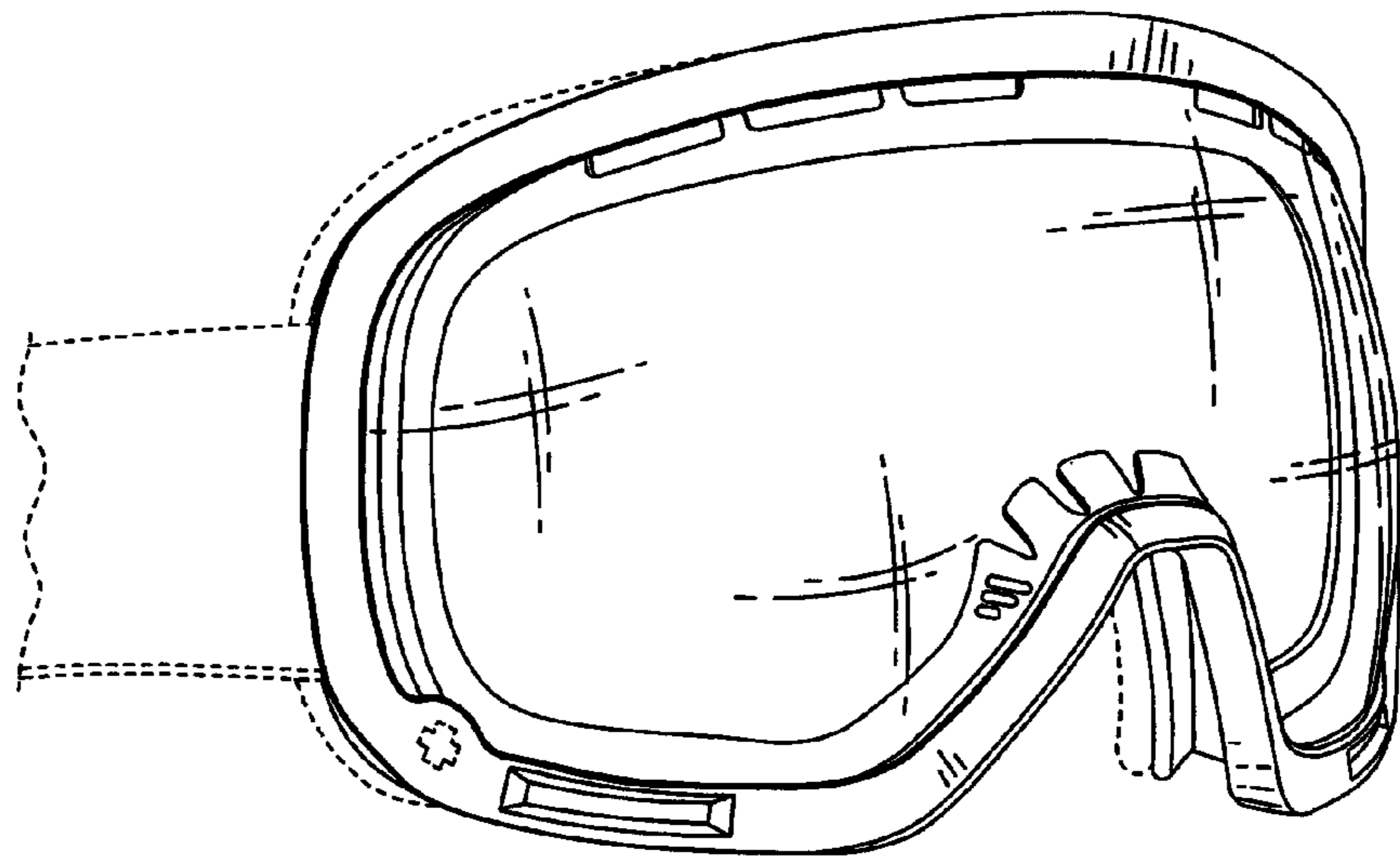


Fig. 1

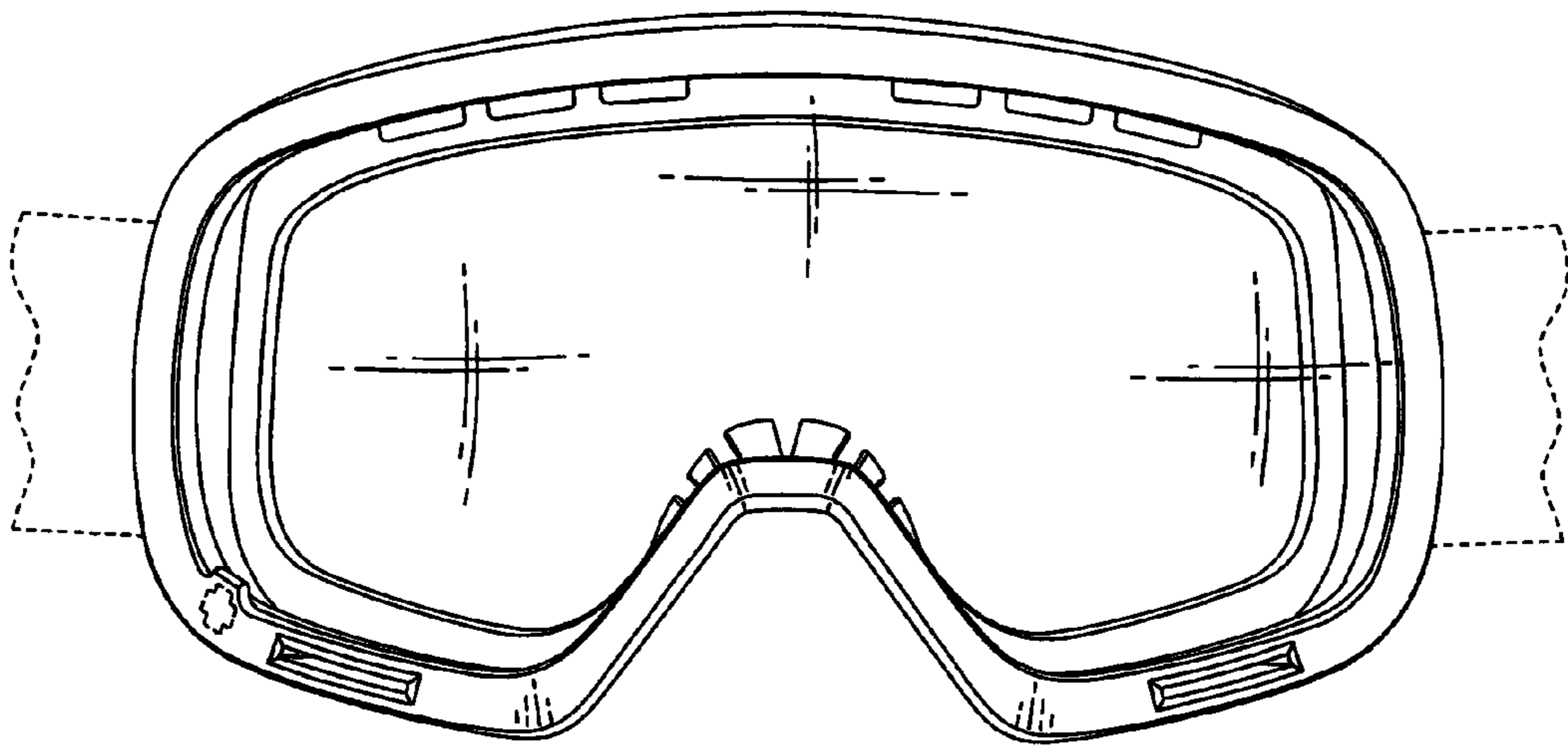


Fig. 2

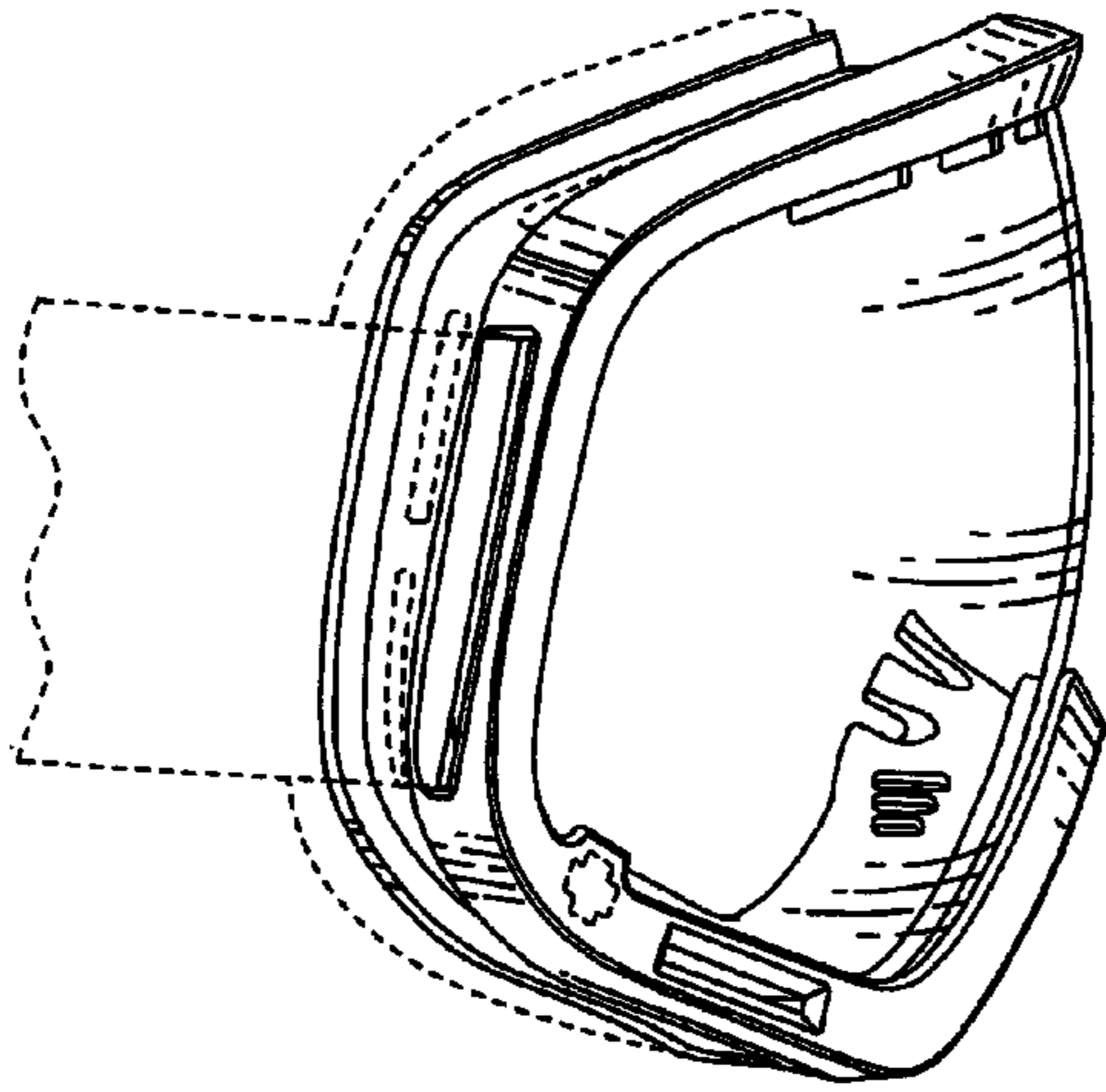


Fig. 3

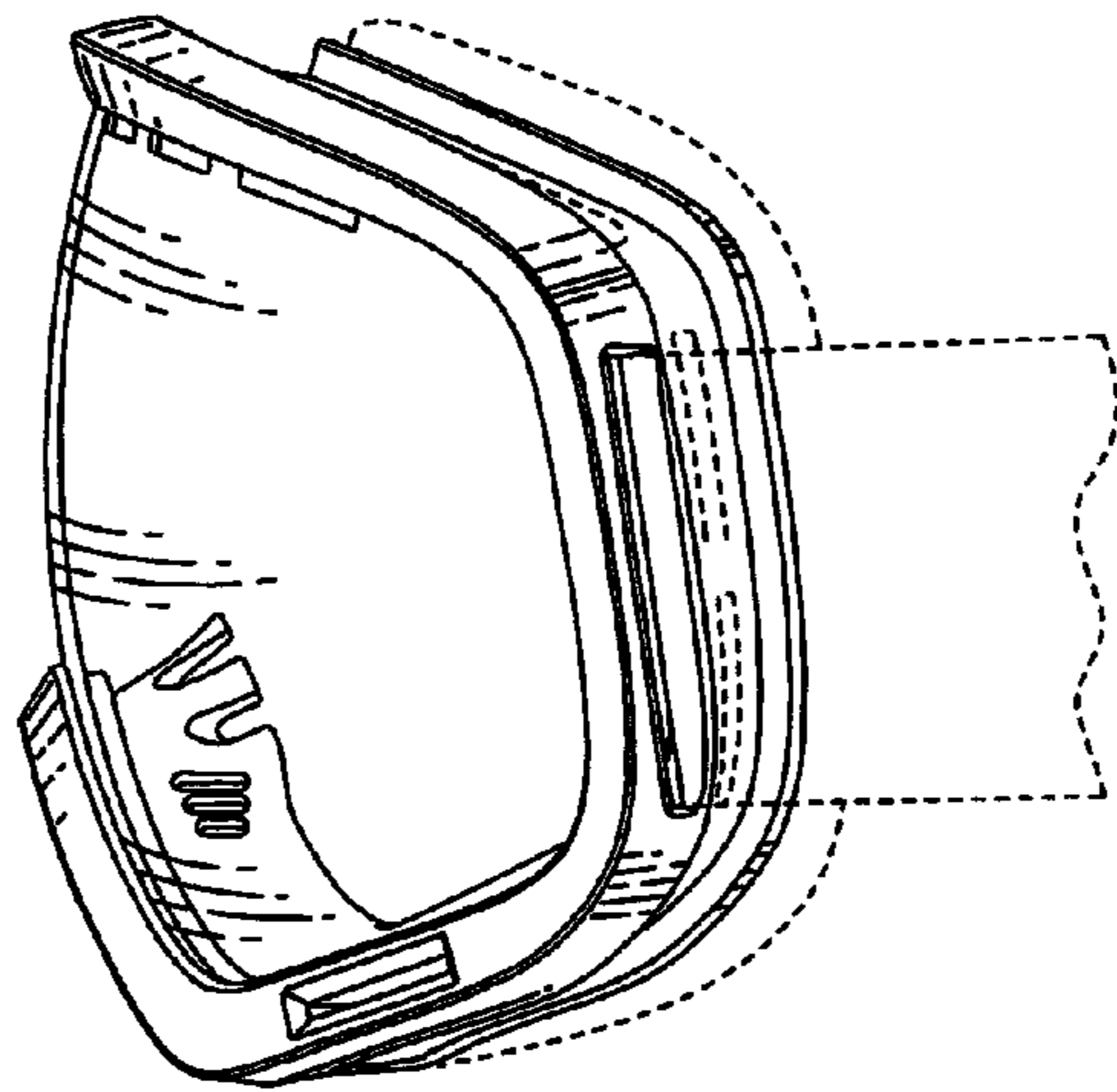


Fig. 4

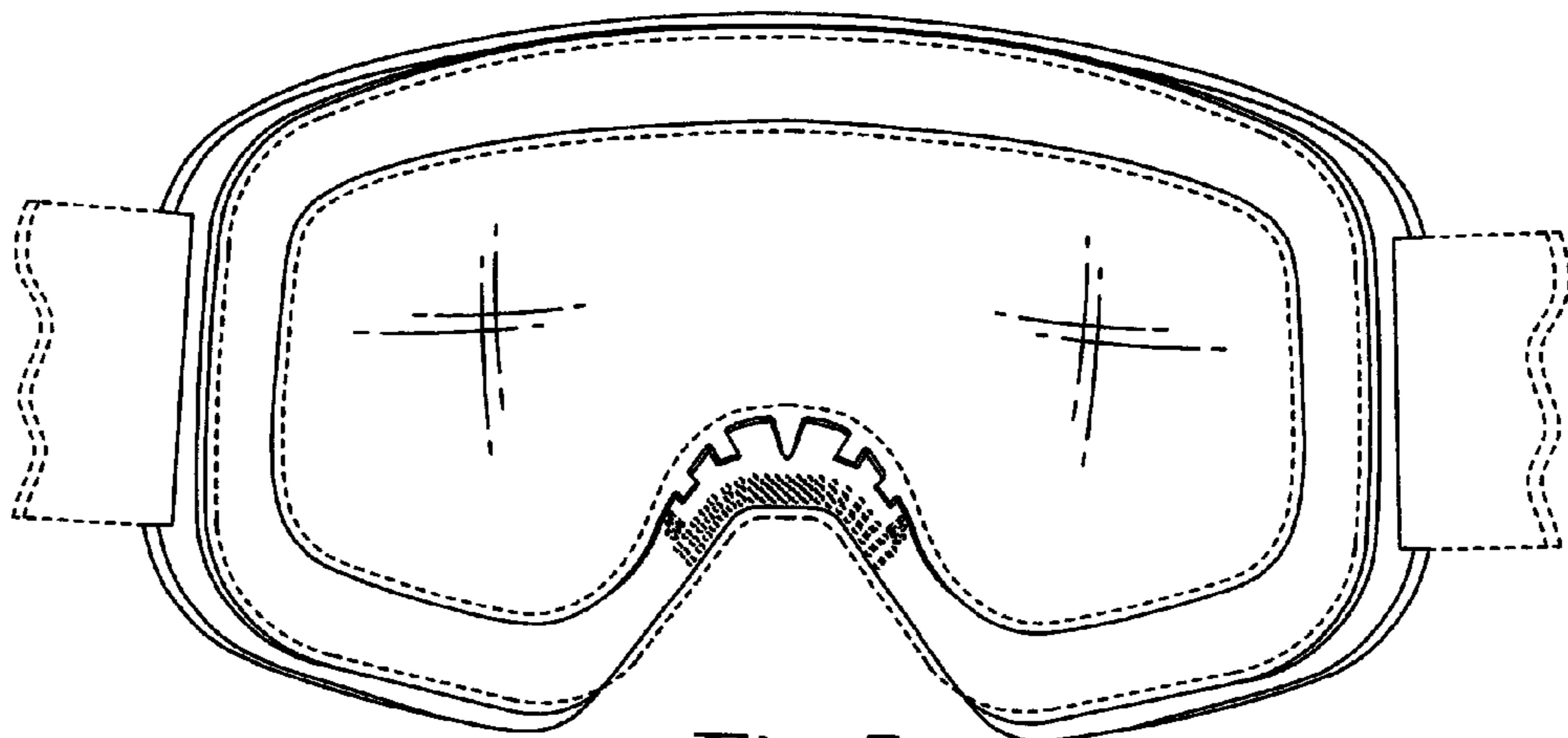


Fig. 5

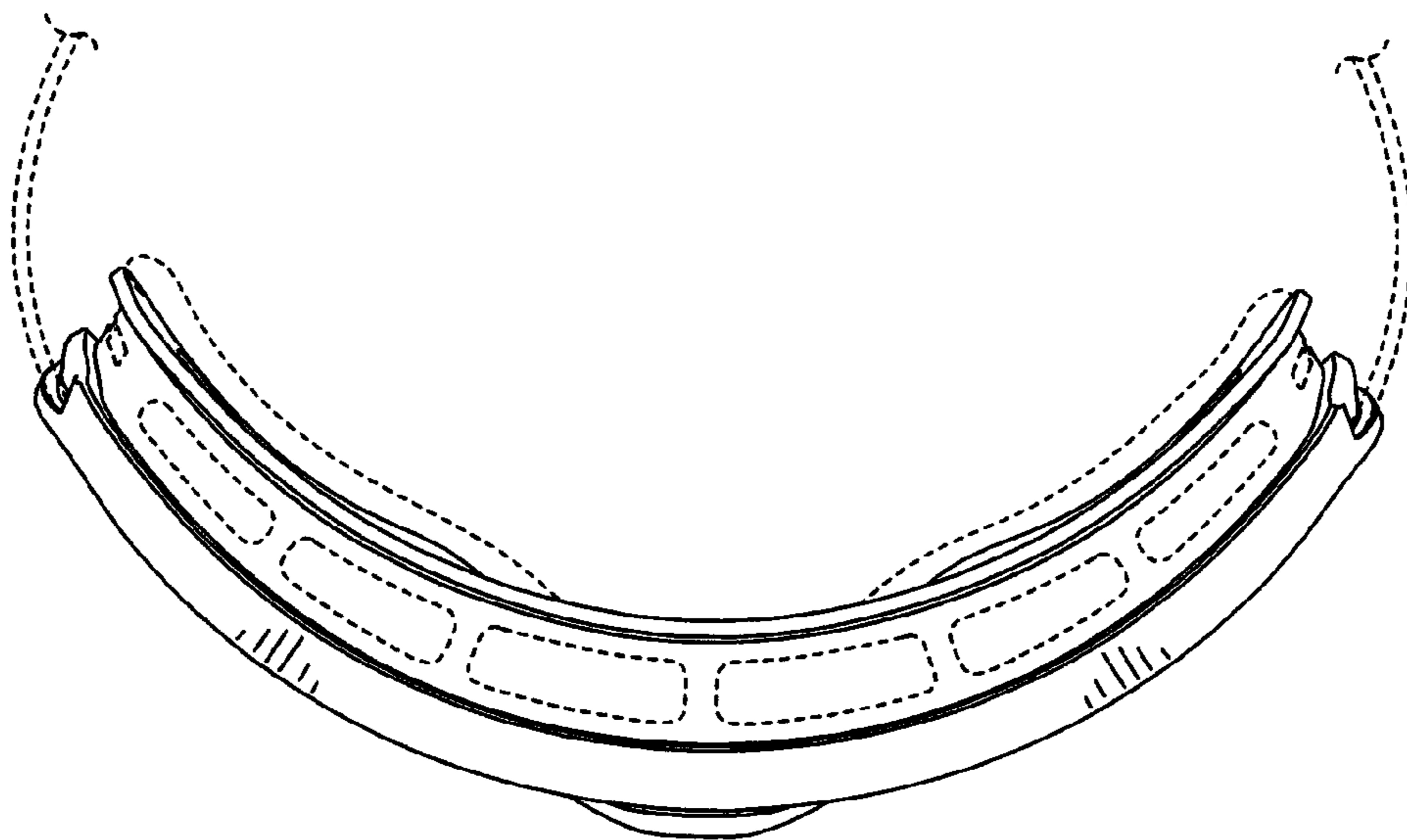


Fig. 6

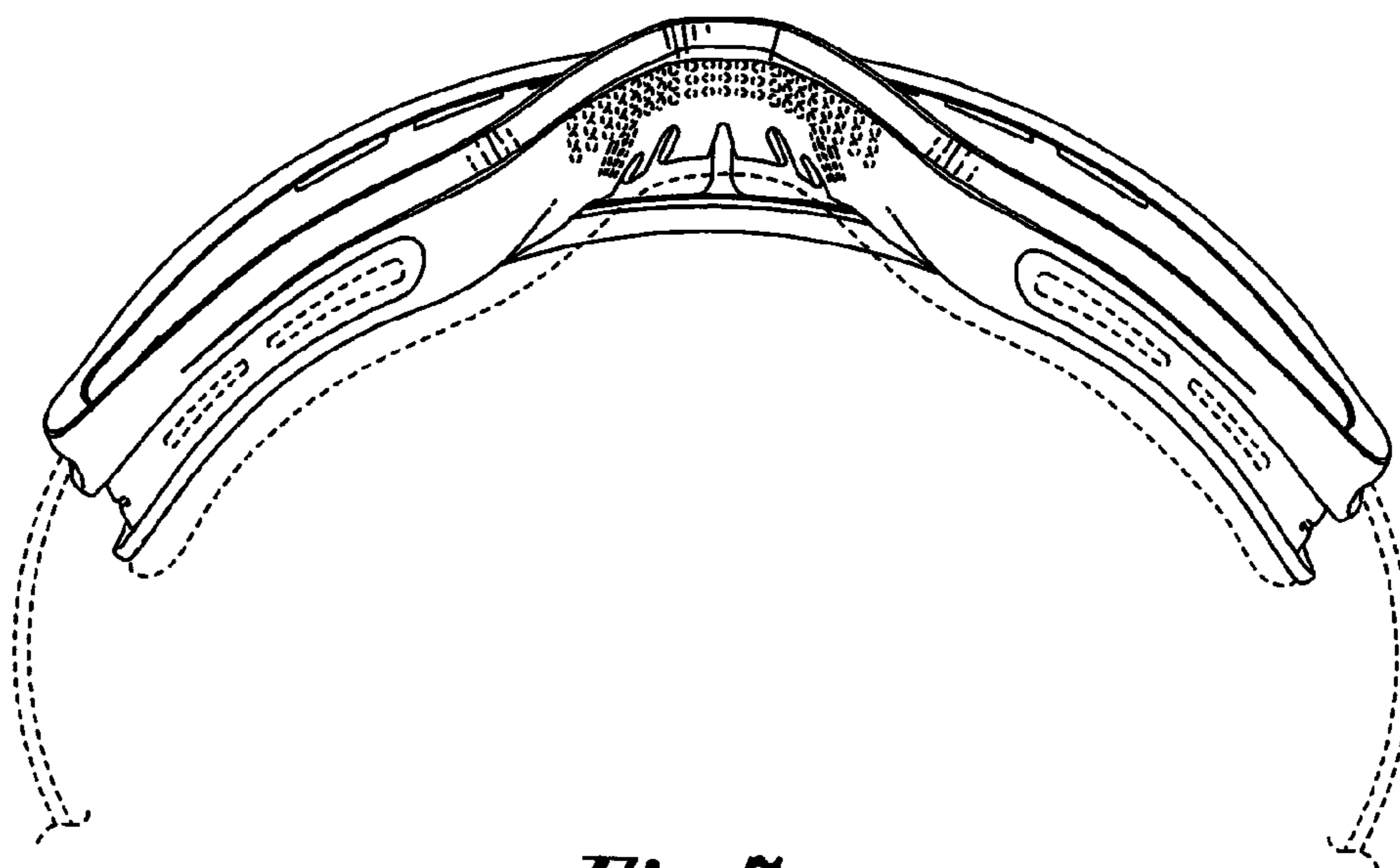


Fig. 7