



US00D714377S

(12) **United States Design Patent**
Yamauchi et al.

(10) **Patent No.:** **US D714,377 S**
(45) **Date of Patent:** **** Sep. 30, 2014**

(54) **RECORDING ASSIST DEVICE FOR CAMERA**

FOREIGN PATENT DOCUMENTS

(71) Applicant: **Samsung Electronics Co., Ltd.**,
Suwon-si (KR)

CN 302092482 * 3/2012

* cited by examiner

(72) Inventors: **Kenji Yamauchi**, Seoul (KR); **Haruo Hayashi**, Seoul (KR)

Primary Examiner — Susan Bennett Hattan

Assistant Examiner — Leanne Was

(74) *Attorney, Agent, or Firm* — NSIP Law

(73) Assignee: **Samsung Electronics Co., Ltd.**,
Suwon-si (KR)

(57) **CLAIM**

The ornamental design for a recording assist device for camera, as shown and described.

(**) Term: **14 Years**

DESCRIPTION

(21) Appl. No.: **29/446,908**

(22) Filed: **Feb. 28, 2013**

(30) **Foreign Application Priority Data**

Aug. 28, 2012 (KR) 30-2012-0041290

(51) **LOC (10) Cl.** **16-05**

(52) **U.S. Cl.**

USPC **D16/243**; D16/242

(58) **Field of Classification Search**

USPC D16/237, 239, 242, 243, 244, 245;
248/121, 176.1, 177.1, 187.1, 535;
352/242, 243; 396/419, 421, 422, 425,
396/428, 535

See application file for complete search history.

(56) **References Cited**

U.S. PATENT DOCUMENTS

D570,396 S * 6/2008 Foddis D16/242
D609,734 S * 2/2010 Foddis D16/242
D654,527 S * 2/2012 Hernandez D16/242

FIG. 1 is a front perspective view of a recording assist device for camera;
FIG. 2 is a front view of the recording assist device for camera of FIG. 1;
FIG. 3 is a rear view of the recording assist device for camera of FIG. 1;
FIG. 4 is a left-side view of the recording assist device for camera of FIG. 1;
FIG. 5 is a right-side view of the recording assist device for camera of FIG. 1;
FIG. 6 is a top plan view of the recording assist device for camera of FIG. 1;
FIG. 7 is a bottom plan view of the recording assist device for camera of FIG. 1;
FIG. 8 is a top perspective view of the recording assist device for camera of FIG. 1;
FIG. 9 is a bottom perspective view of the recording assist device for camera of FIG. 1; and,
FIG. 10 is a rear perspective view of the recording assist device for camera of FIG. 1 in which a camera in broken lines is provided to illustrate an example environment.
Features shown in broken lines in FIGS. 1, 2, 3, 4, 5, 7, 8, 9, and 10, form no part of the claimed design.

1 Claim, 10 Drawing Sheets

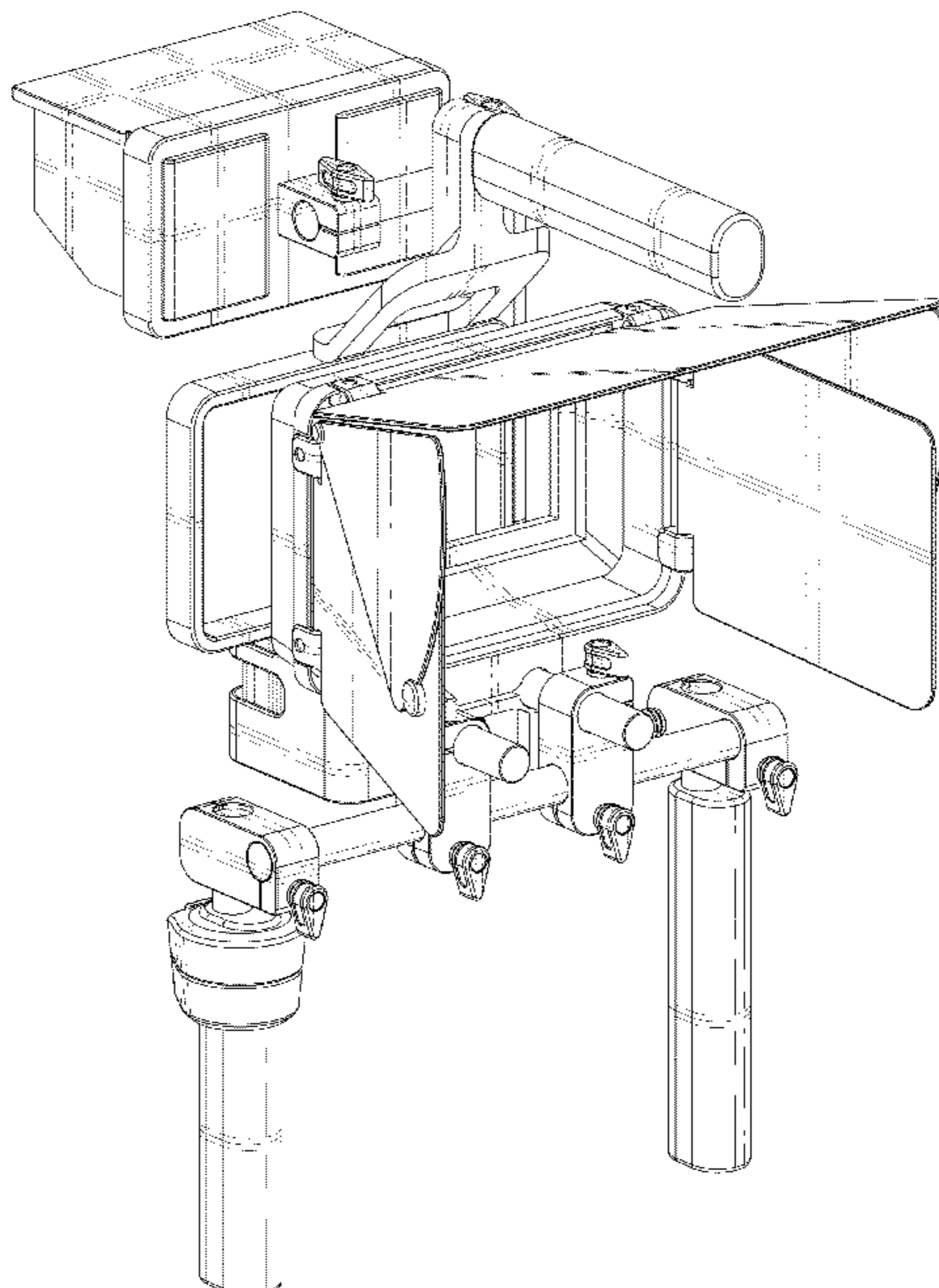


FIG. 1

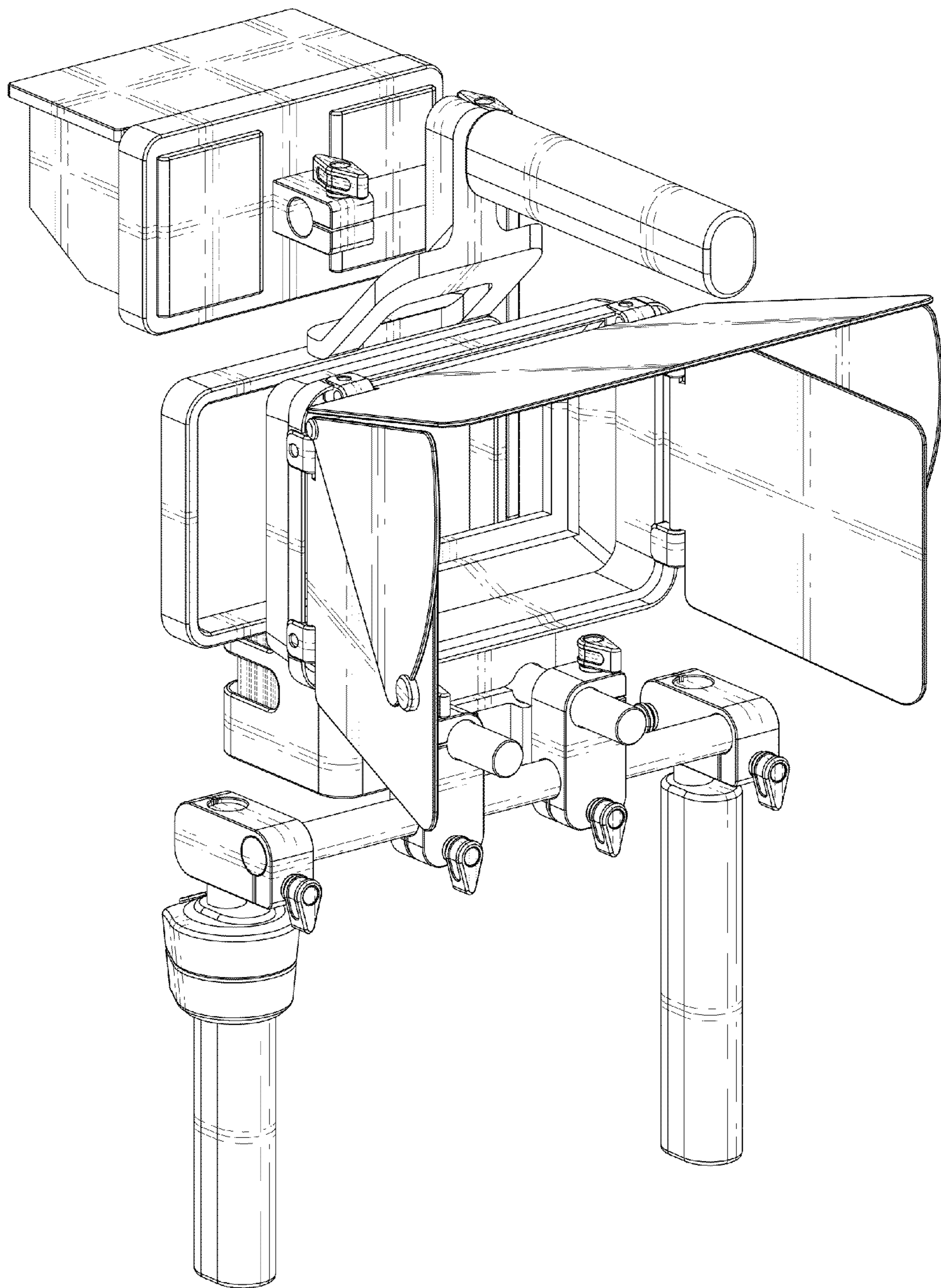


FIG. 2

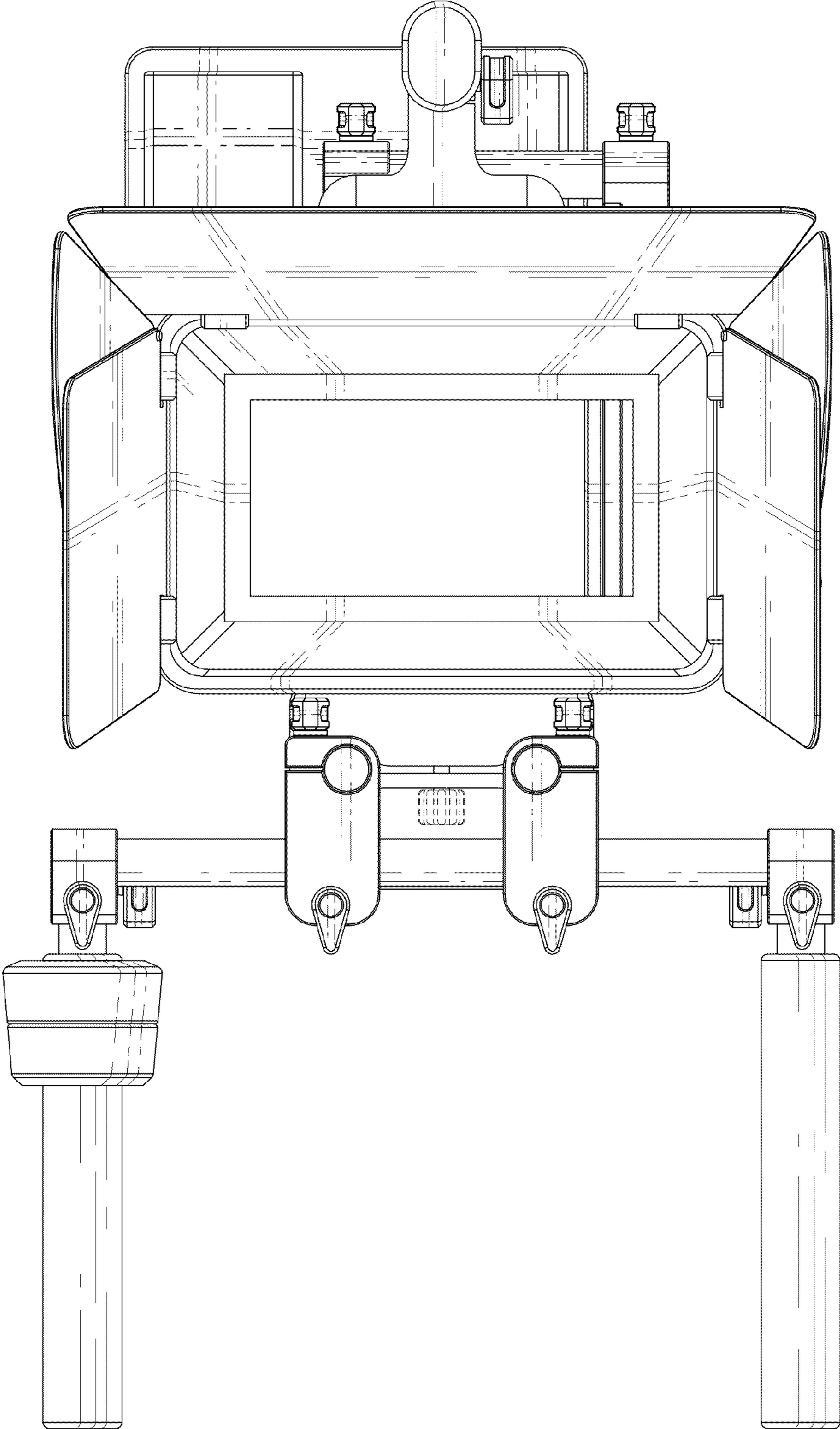


FIG. 3

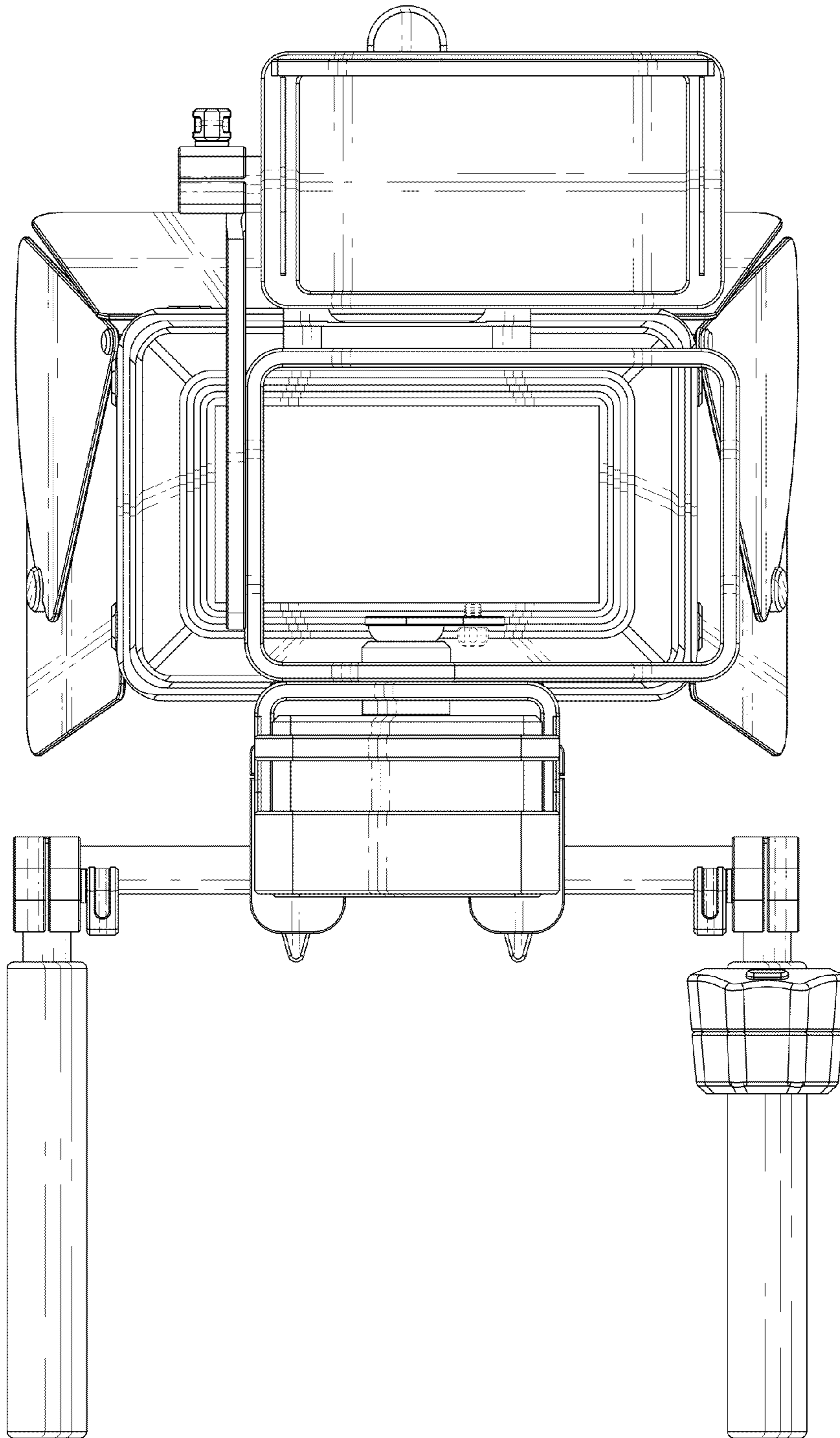


FIG. 4

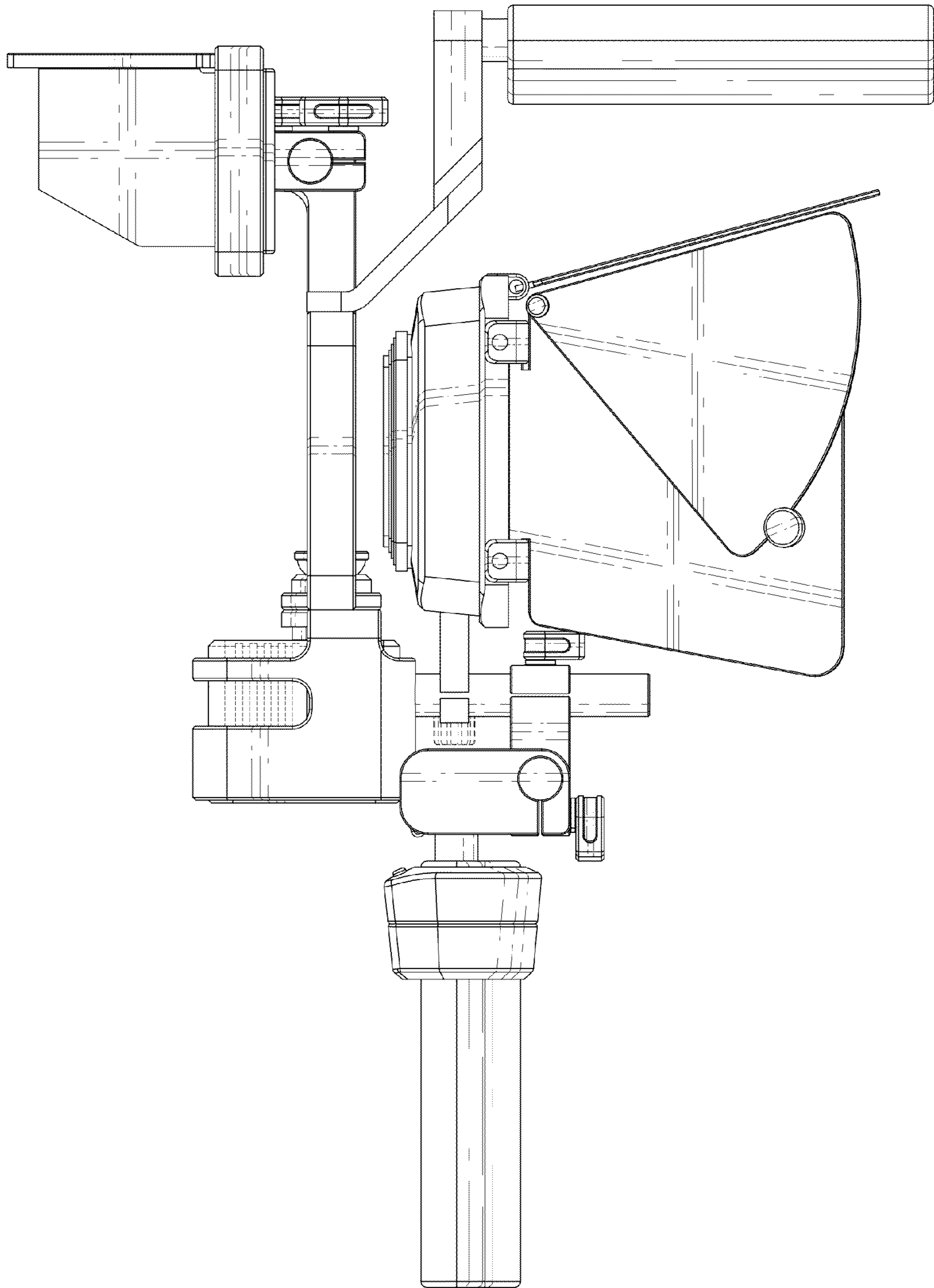


FIG. 5

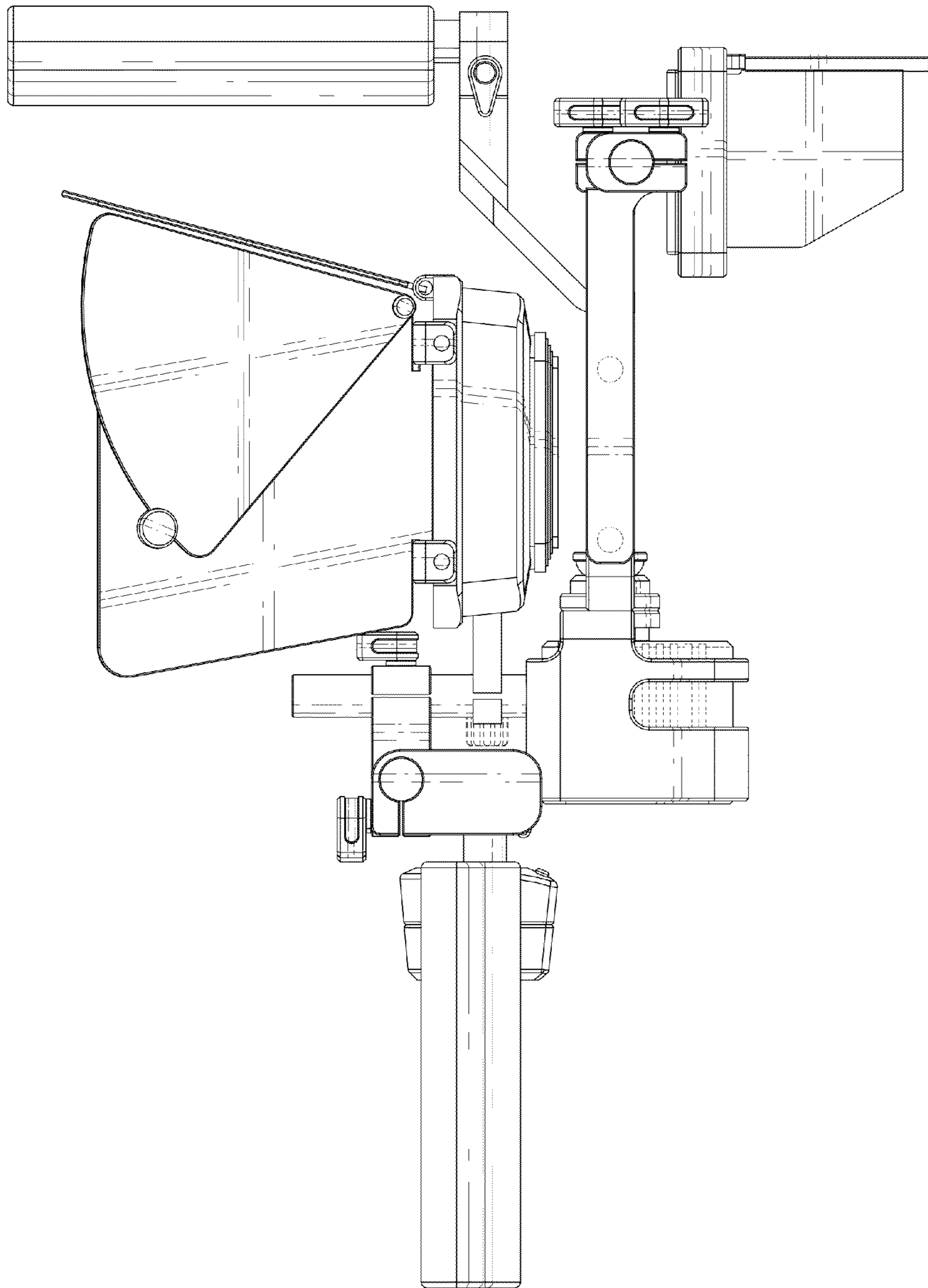


FIG. 6

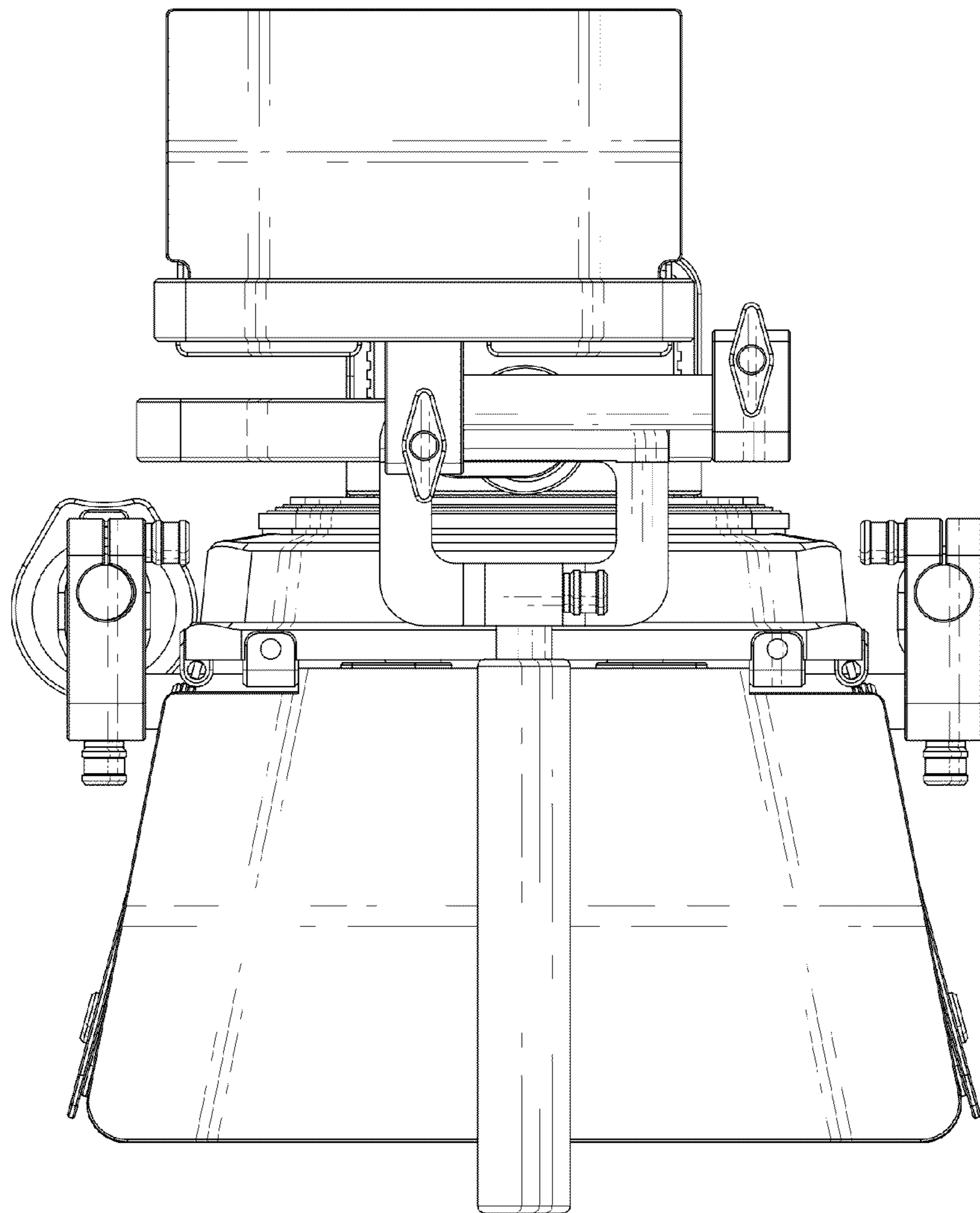


FIG. 7

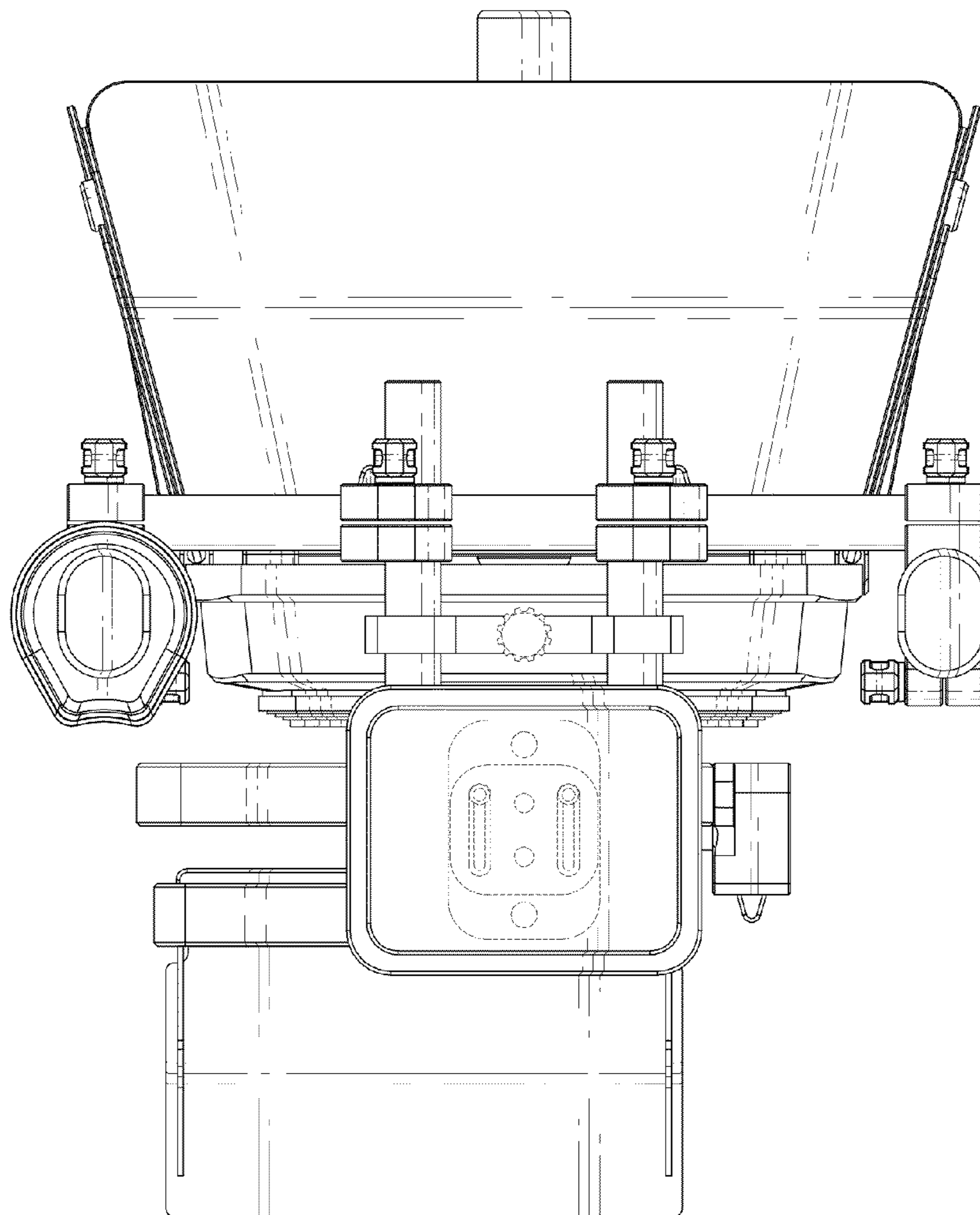


FIG. 8

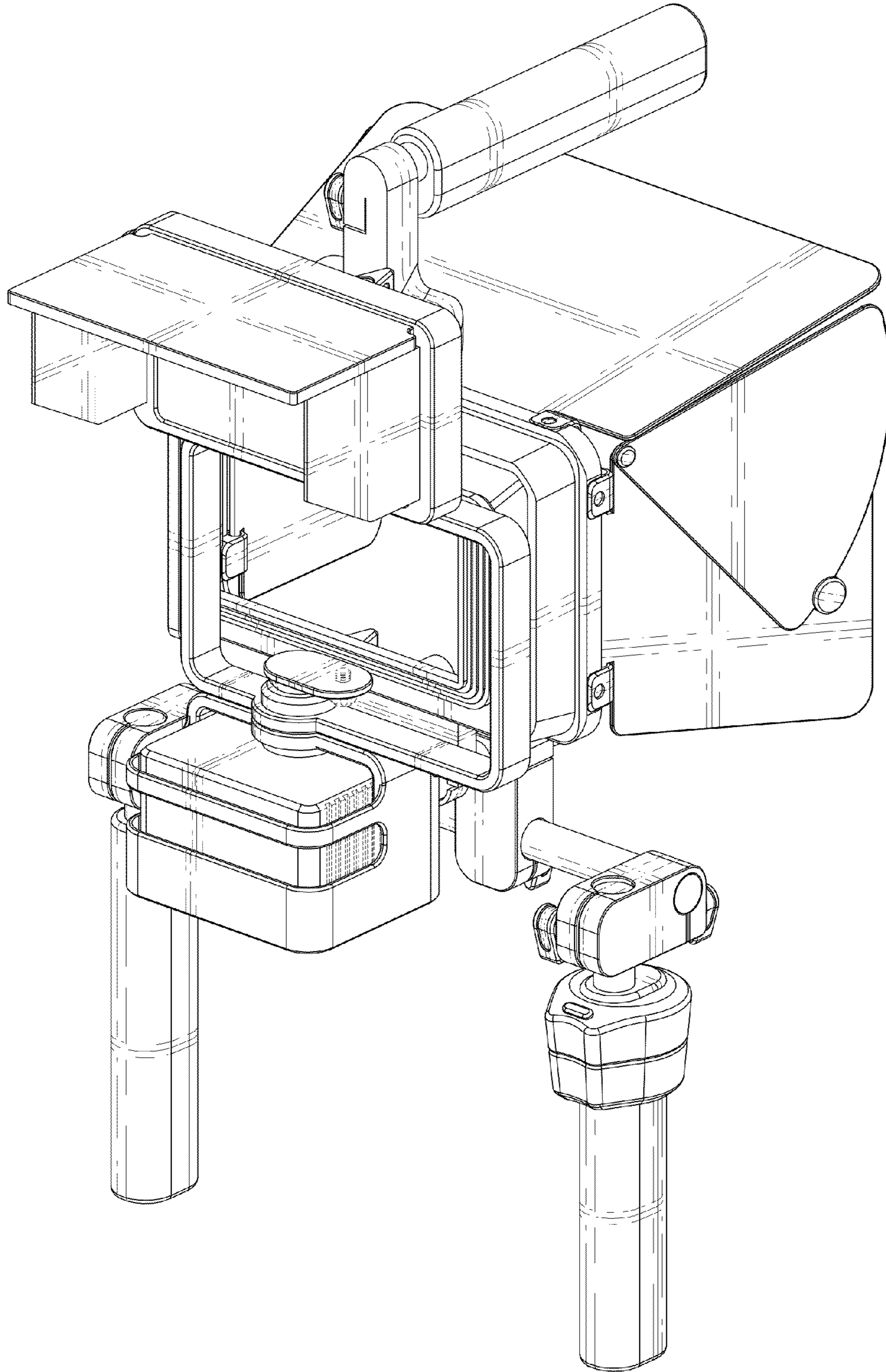


FIG. 9

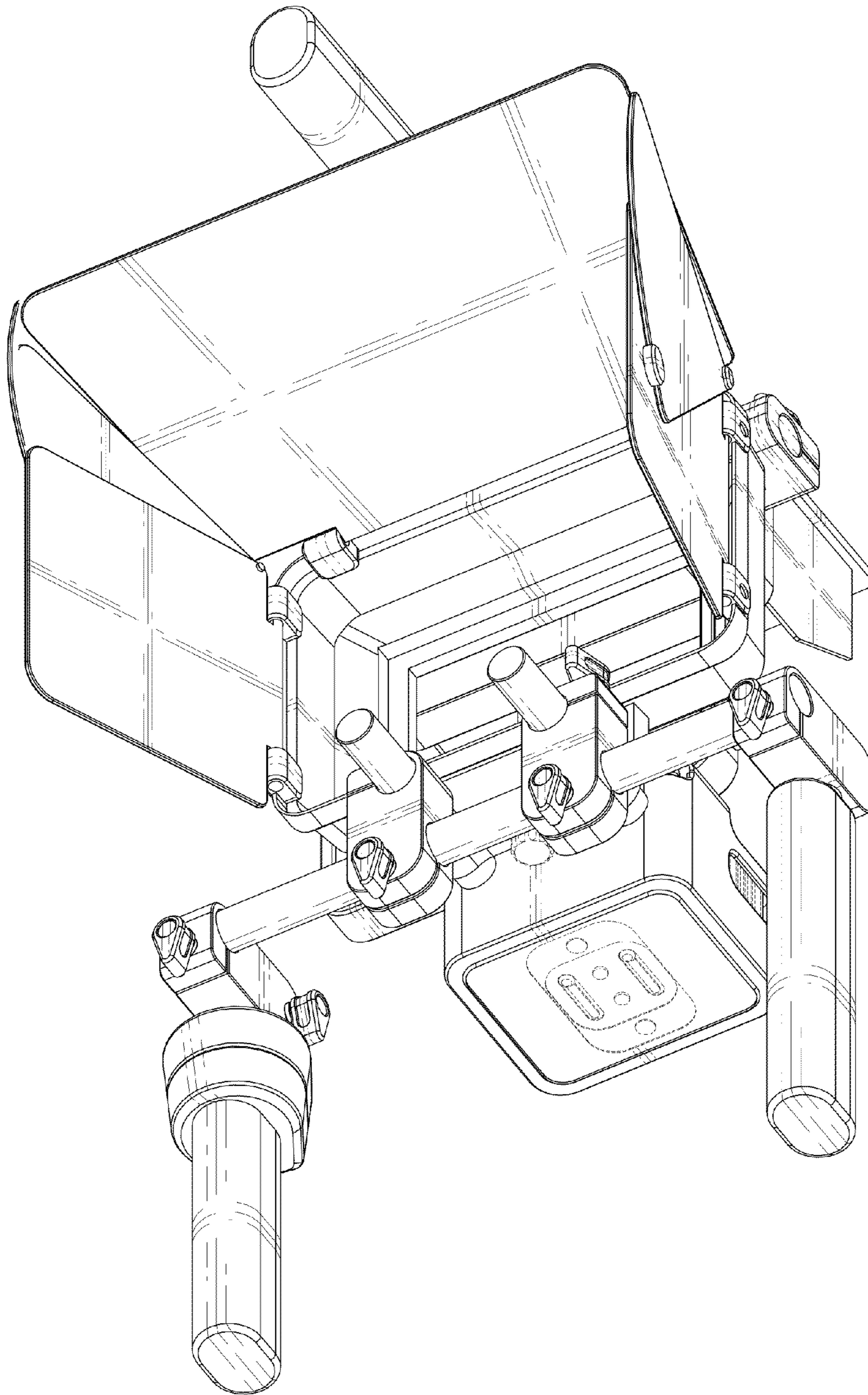


FIG. 10

