



US00D714376S

(12) **United States Design Patent**
Chapman

(10) **Patent No.:** **US D714,376 S**

(45) **Date of Patent:** **** Sep. 30, 2014**

- (54) **HIP-MOUNTED CAMERA JIB**
- (71) Applicant: **Chapman/Leonard Studio Equipment, Inc., North Hollywood, CA (US)**
- (72) Inventor: **Leonard T. Chapman, North Hollywood, CA (US)**
- (73) Assignee: **Chapman/Leonard Studio Equipment, Inc., North Hollywood, CA (US)**
- (**) Term: **14 Years**
- (21) Appl. No.: **29/456,075**
- (22) Filed: **May 28, 2013**
- (51) **LOC (10) Cl.** **16-05**
- (52) **U.S. Cl.**
USPC **D16/242**
- (58) **Field of Classification Search**
USPC D16/242; 224/153, 259; 396/55, 420,
396/421, 422, 428
See application file for complete search history.

- 2010/0266272 A1* 10/2010 Holway et al. 396/428
- 2011/0080564 A1 4/2011 Taylor
- 2014/0064720 A1* 3/2014 Chapman 396/428

OTHER PUBLICATIONS

Korean Intellectual Property Office, "The International Search Report and The Written Opinion of the International Searching Authority, or the Declaration" mailed Dec. 10, 2013.

* cited by examiner

Primary Examiner — Susan Bennett Hattan

Assistant Examiner — Leanne Was

(74) *Attorney, Agent, or Firm* — Kenneth H. Ohriner; Perkins Coie LLP

(57) **CLAIM**

The ornamental design for a hip-mounted camera jib, as shown and described.

DESCRIPTION

FIG. 1 is a front, top and left side perspective view showing my new design.

FIG. 2 is a left side view.

FIG. 3 is a right side view.

FIG. 4 is a top view.

FIG. 5 is a bottom view.

FIG. 6 is a front view; and,

FIG. 7 is a rear view.

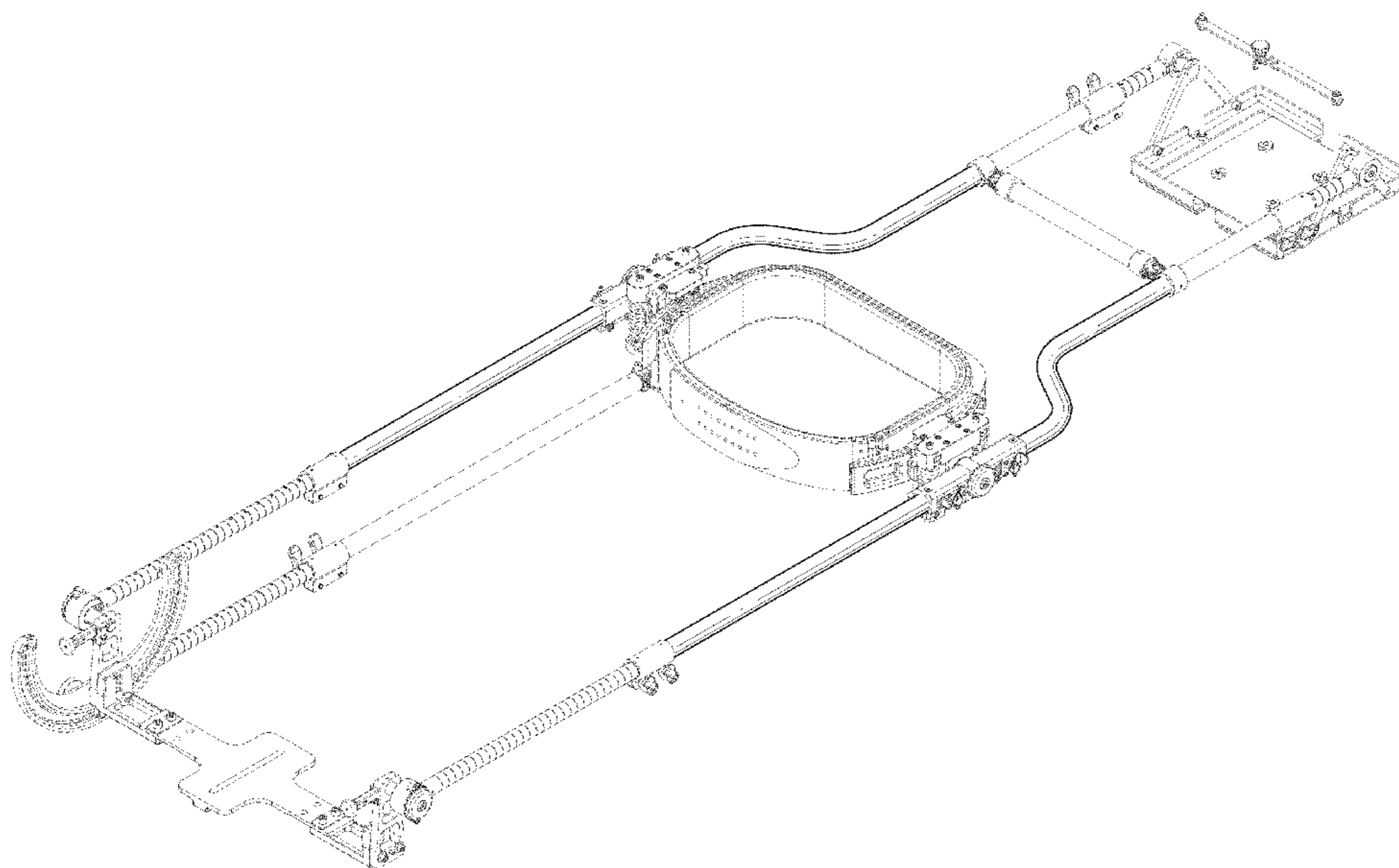
The broken or dotted lines in the drawings are only for purposes of illustration and form no part of the claimed design. The hip-mounted camera jib is used by a camera operator to support a camera.

(56) **References Cited**

U.S. PATENT DOCUMENTS

- 4,156,512 A * 5/1979 Brown 248/586
- 4,158,490 A 6/1979 Gottschalk et al.
- 4,208,028 A * 6/1980 Brown et al. 224/185
- RE32,213 E * 7/1986 Brown 352/243
- 4,946,272 A * 8/1990 Brown 352/243
- 5,462,214 A 10/1995 Buswell
- 5,890,025 A * 3/1999 Hart 396/420
- 6,056,449 A 5/2000 Hart
- 7,794,160 B1 9/2010 Arthur
- 8,657,507 B2* 2/2014 Di Leo 396/420
- 2007/0031143 A1* 2/2007 Riccardi 396/420

1 Claim, 6 Drawing Sheets



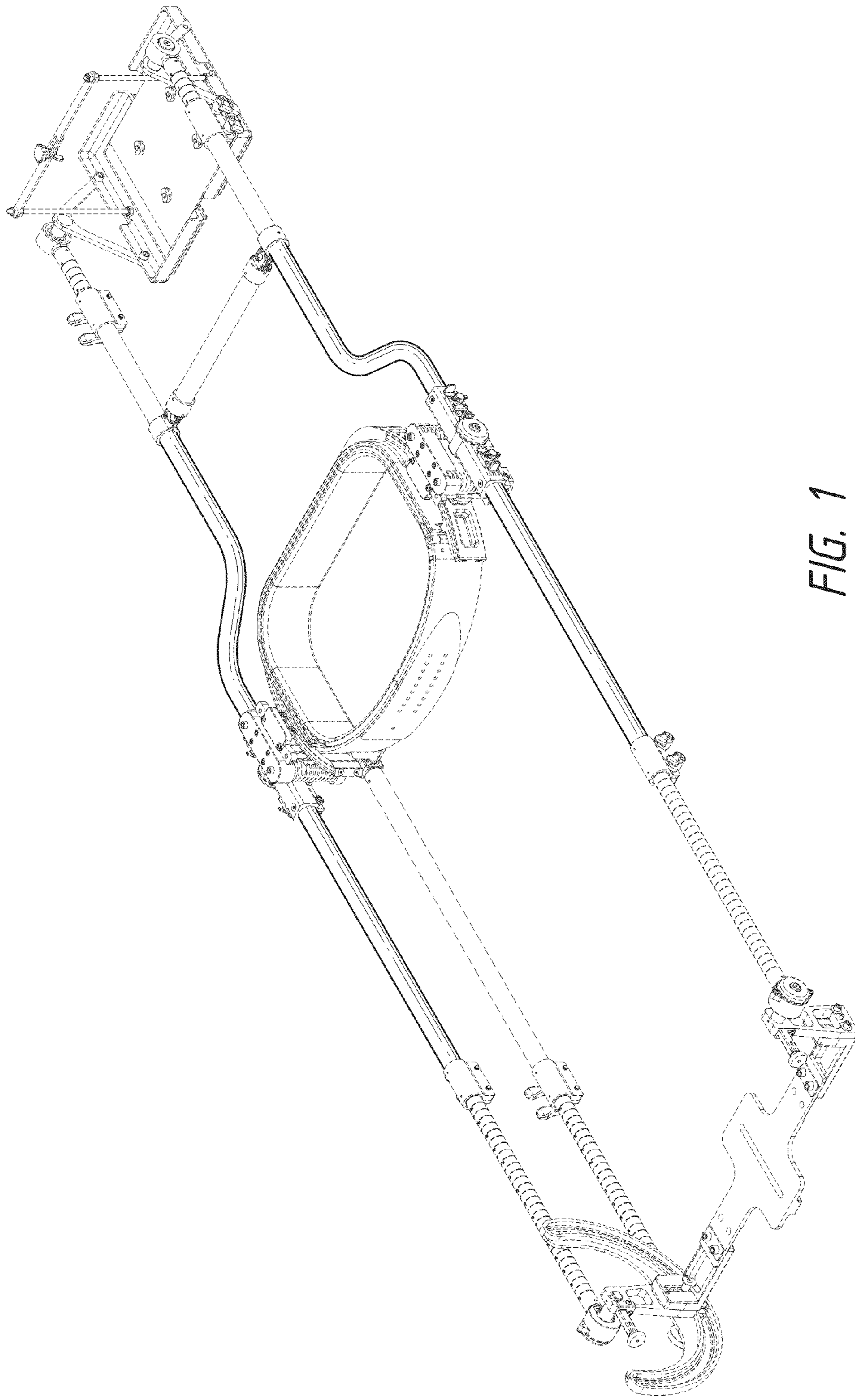


FIG. 1

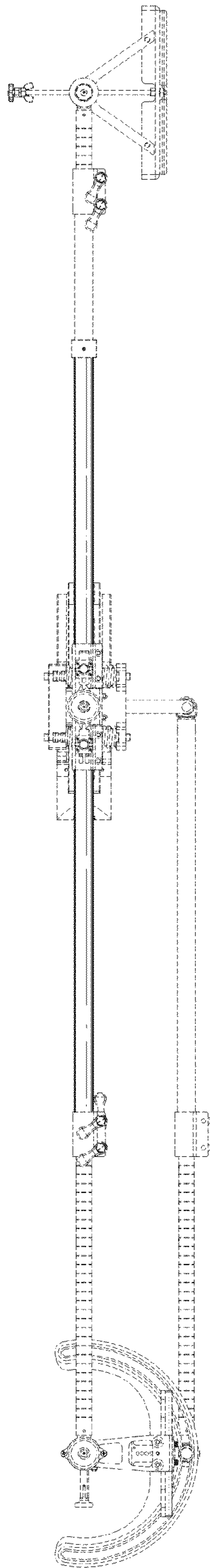


FIG. 2

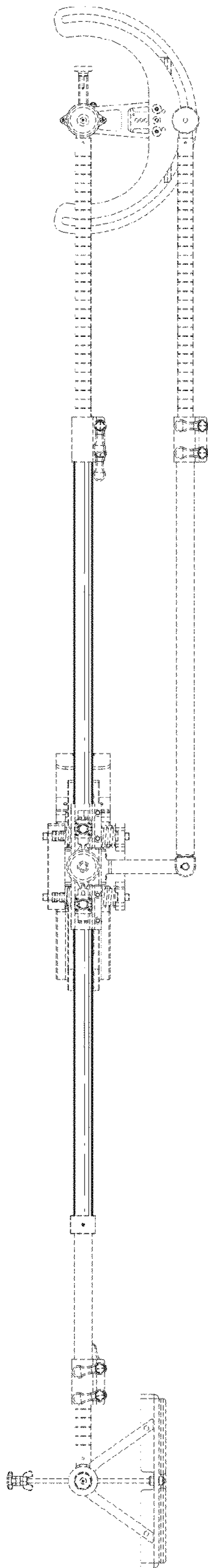


FIG. 3

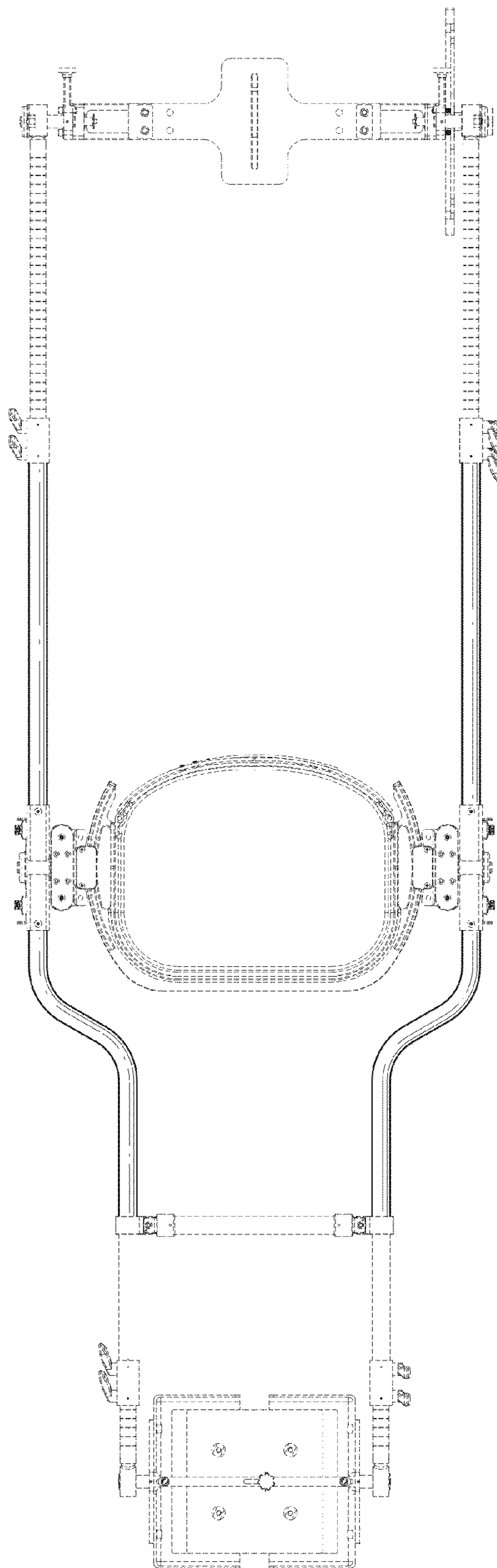


FIG. 4

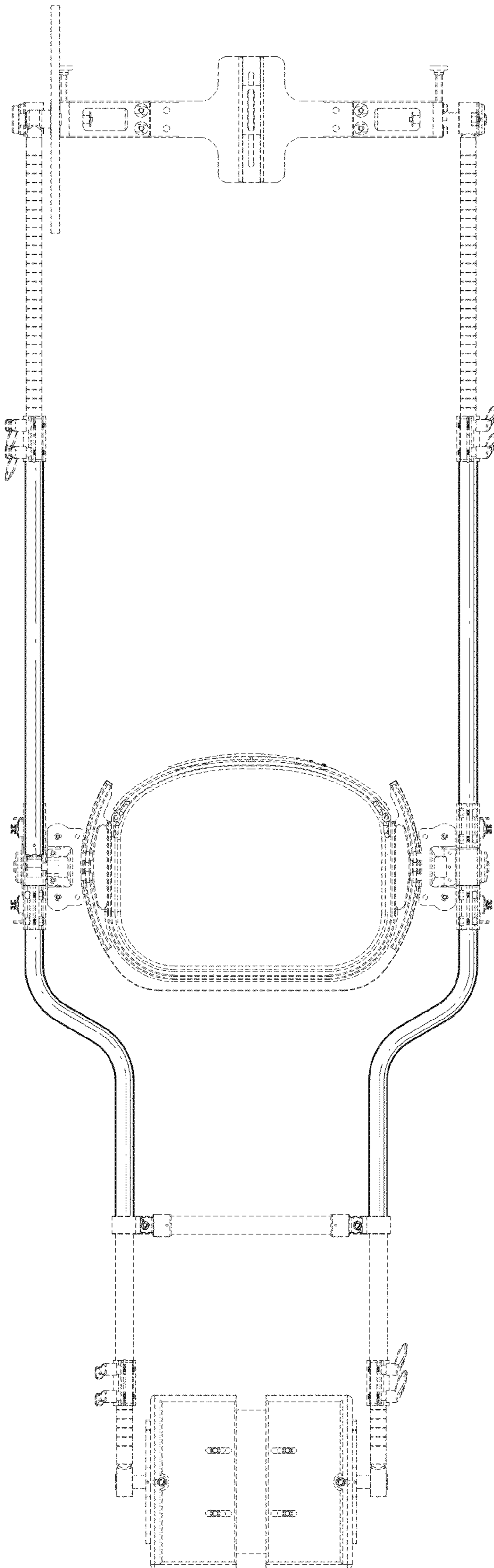


FIG. 5

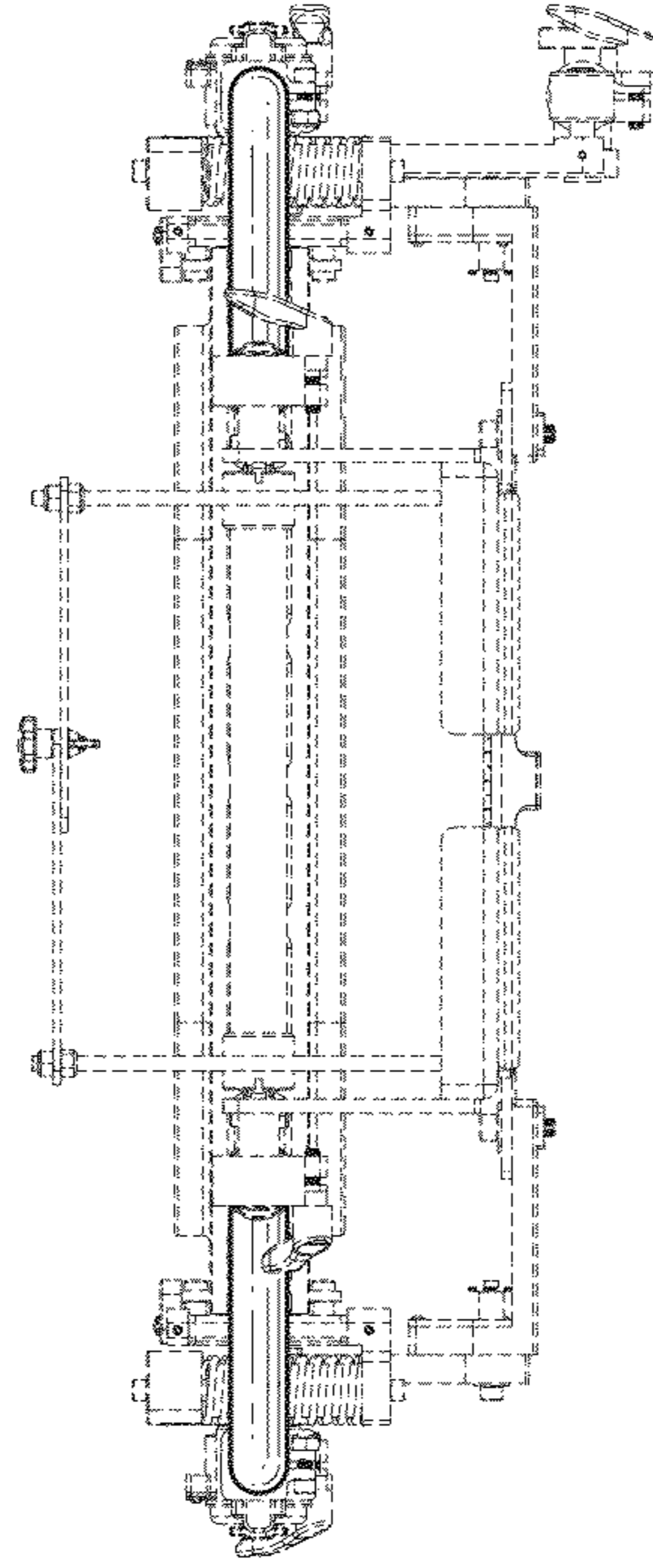


FIG. 7

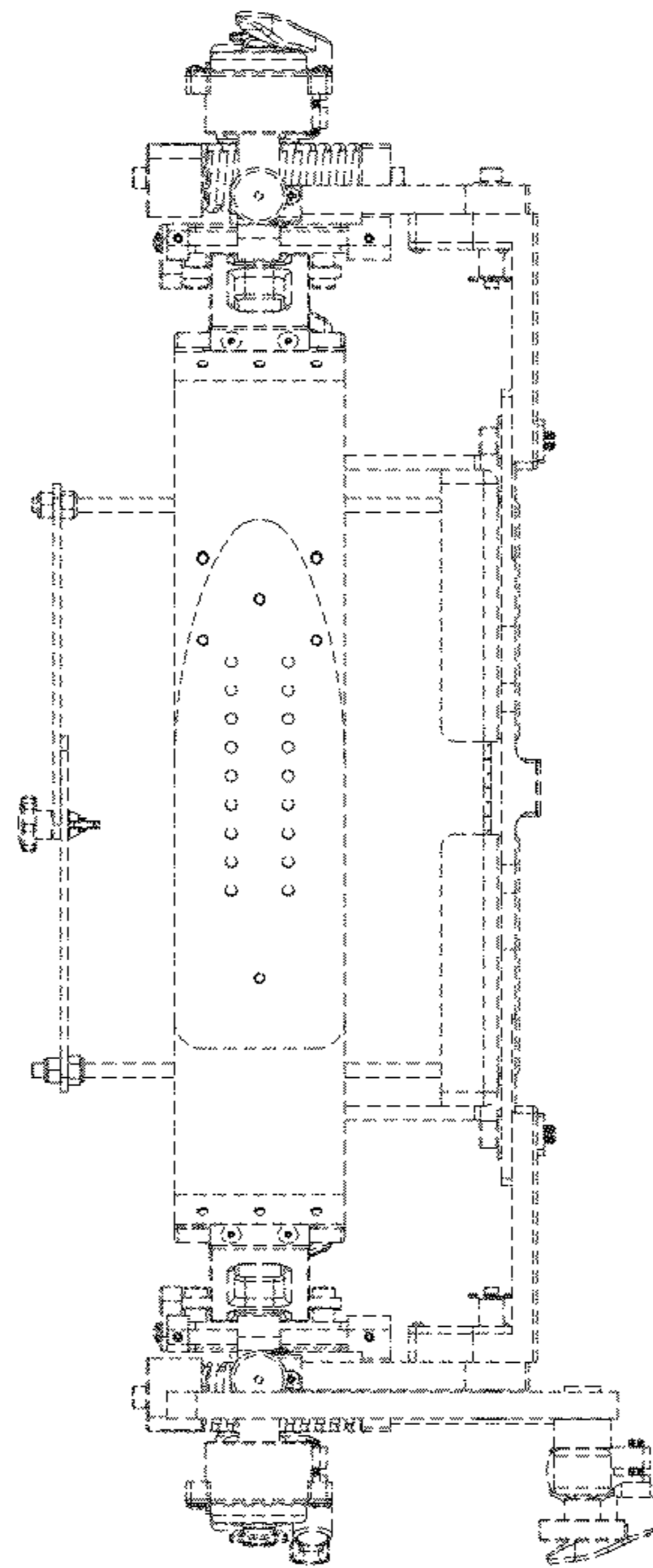


FIG. 6