



US00D714375S

(12) **United States Design Patent**
Ozone

(10) **Patent No.:** **US D714,375 S**

(45) **Date of Patent:** **** Sep. 30, 2014**

(54) **ELECTRONIC FLASH DEVICE**
(71) Applicant: **Nikon Corporation**, Tokyo (JP)
(72) Inventor: **Akihiro Ozone**, Yokohama (JP)
(73) Assignee: **Nikon Corporation**, Tokyo (JP)

D264,221 S * 5/1982 Schlagheck et al. D16/240
D271,306 S * 11/1983 Shull D16/240
D273,013 S * 3/1984 Takematsu D16/240
D453,351 S * 2/2002 Kitera D16/240
D577,053 S * 9/2008 Watanabe D16/240
D651,231 S * 12/2011 Izumi et al. D16/237

(**) Term: **14 Years**

FOREIGN PATENT DOCUMENTS

JP D1463361 * 8/2012

(21) Appl. No.: **29/438,084**

* cited by examiner

(22) Filed: **Nov. 26, 2012**

Primary Examiner — Susan Bennett Hattan

Assistant Examiner — Leanne Was

(30) **Foreign Application Priority Data**

May 28, 2012 (JP) 2012-012488

(74) *Attorney, Agent, or Firm* — Wolf, Greenfield & Sacks, P.C.; Randy J. Pritzker

(51) **LOC (10) Cl.** **16-05**

(57) **CLAIM**

The ornamental design for an electronic flash device, as shown and described.

(52) **U.S. Cl.**

USPC **D16/239**

DESCRIPTION

(58) **Field of Classification Search**

USPC D10/67, 102, 103; D13/180, 182;
D14/217, 257, 432, 471; D16/134,
D16/200, 208, 218, 219, 237, 239, 240, 242,
D16/243, 244, 245, 250; D26/37, 38;
348/370, 373-375; 362/1-18, 255,
362/277, 280-283, 287, 322, 323, 612;
396/155, 171, 180, 182, 200, 540, 541,
396/544

FIG. 1 is a front perspective view of an electronic flash device showing our new design;
FIG. 2 is a front view thereof;
FIG. 3 is a bottom plan view thereof;
FIG. 4 is an enlarged view of FIG. 1;
FIG. 5 is an enlarged view of FIG. 2;
FIG. 6 is an enlarged view of FIG. 3; and,
FIG. 7 is a cross-sectional view taken along line 7-7 in FIG. 5 with the internal structure simplified.

See application file for complete search history.

The features shown in broken lines in the drawings depict environmental subject matter only and form no part of the claimed design. The dot-dashed lines define the boundaries of the claimed design and form no part thereof.

(56) **References Cited**

U.S. PATENT DOCUMENTS

D250,475 S * 12/1978 Kando D16/240
D263,720 S * 4/1982 Takematsu D16/240

1 Claim, 7 Drawing Sheets

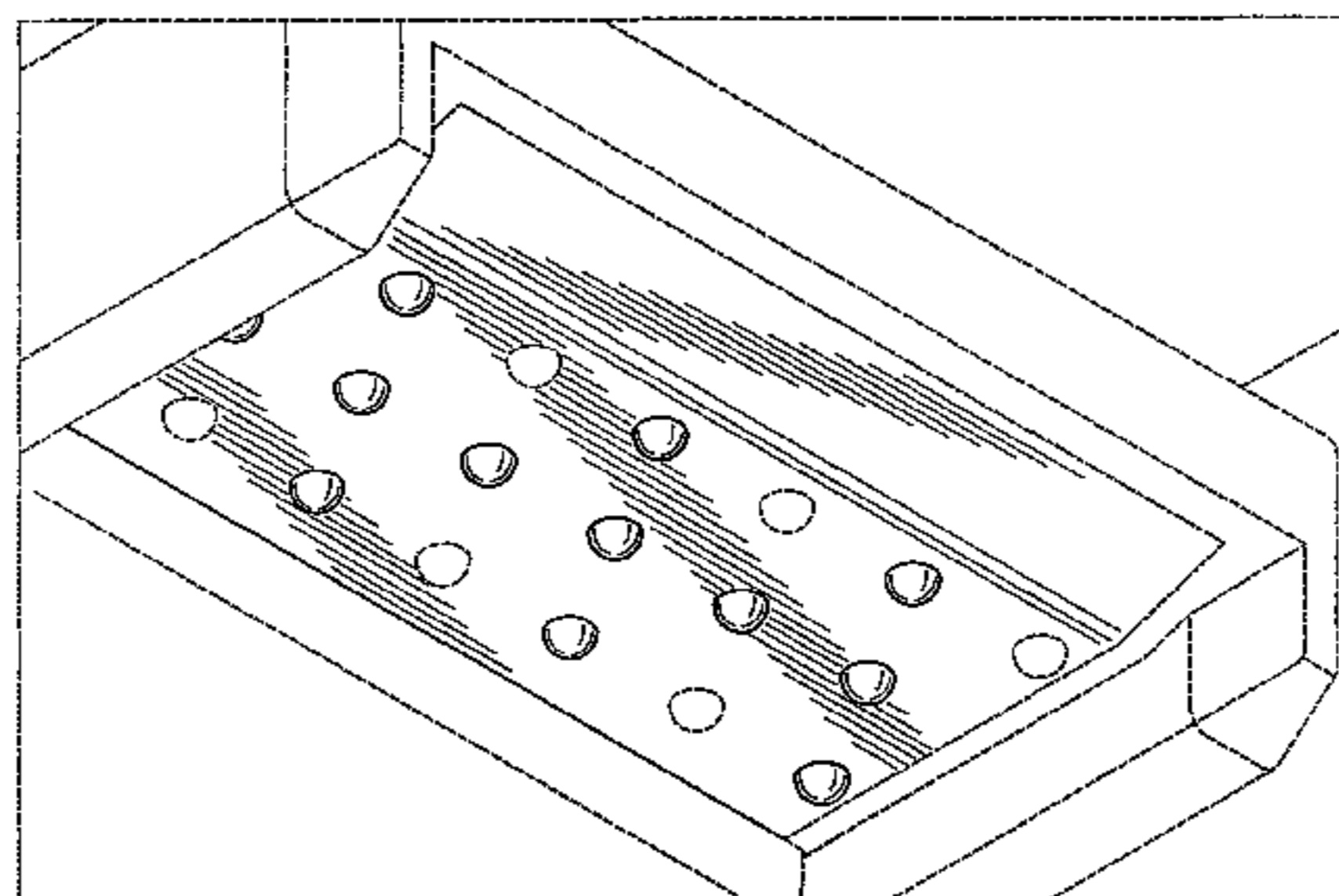
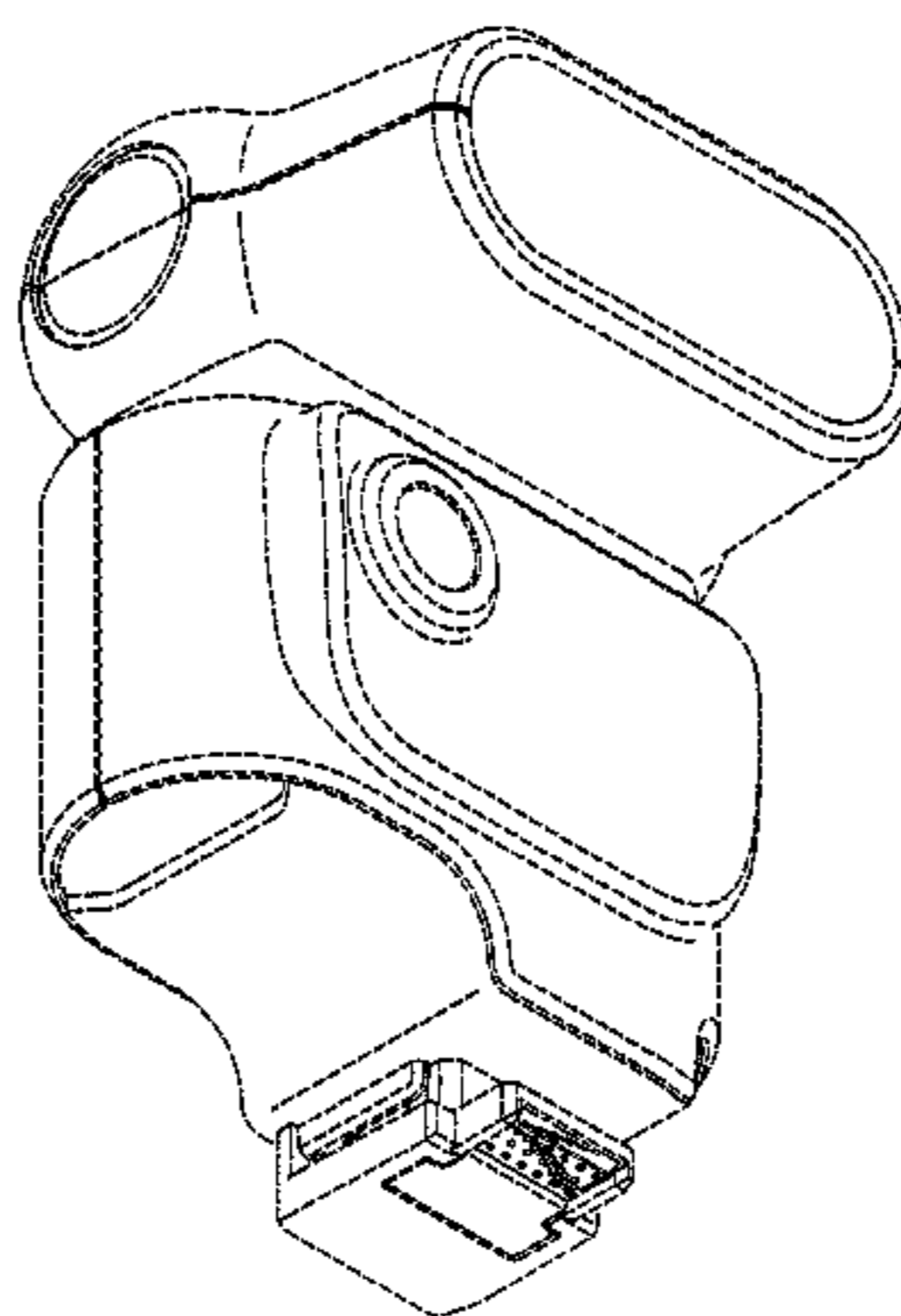


FIG. 1

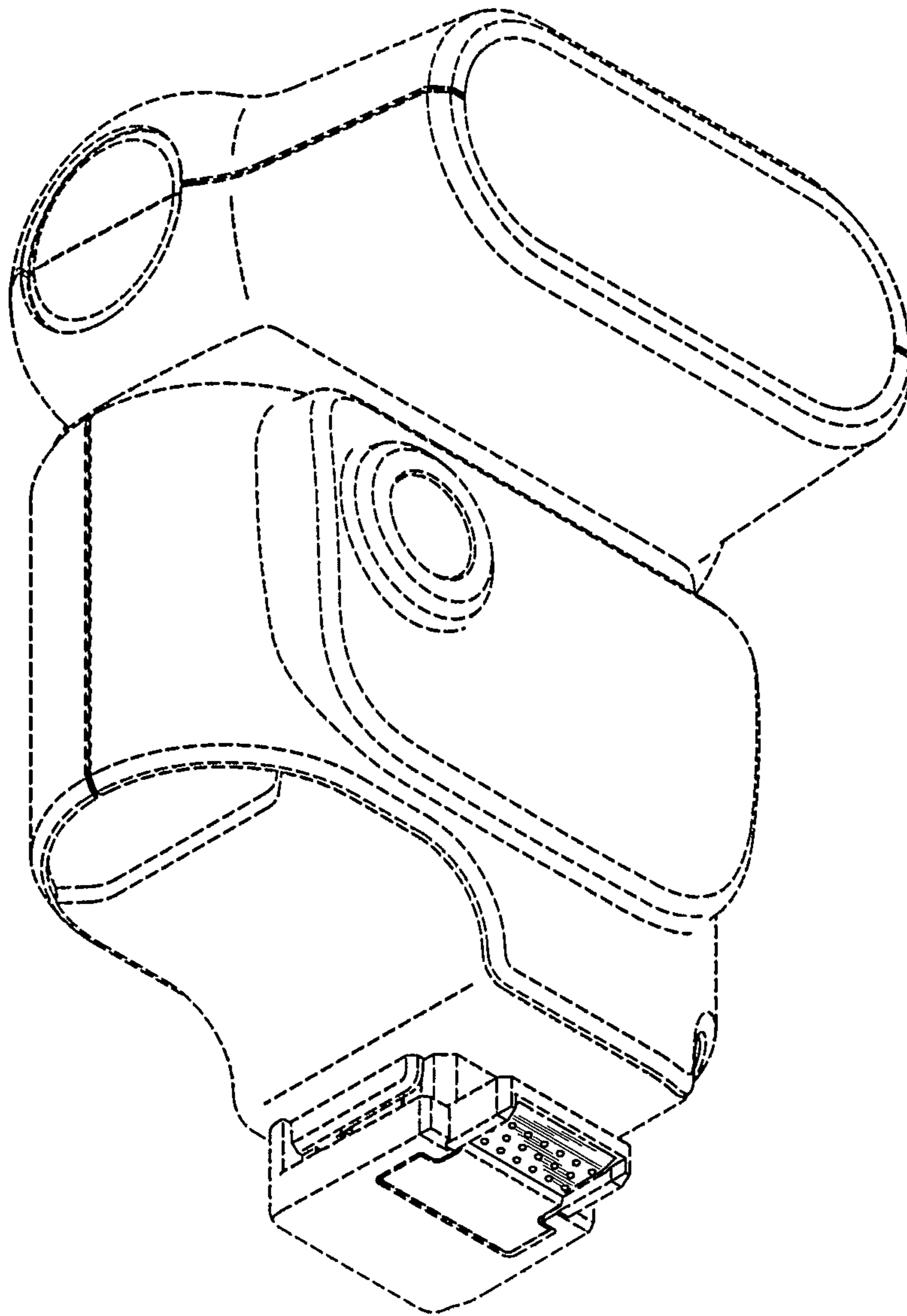


FIG. 2

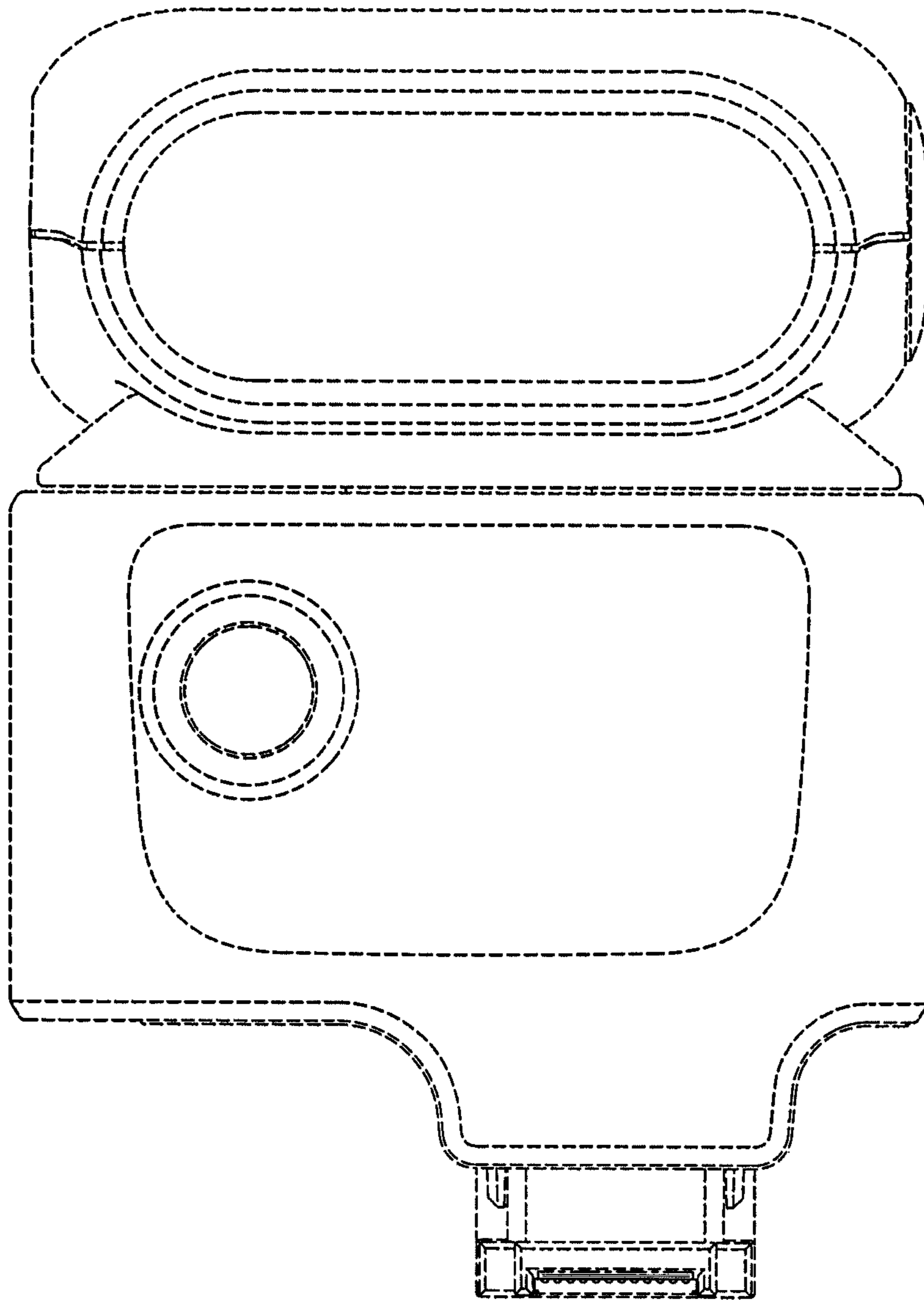


FIG. 3

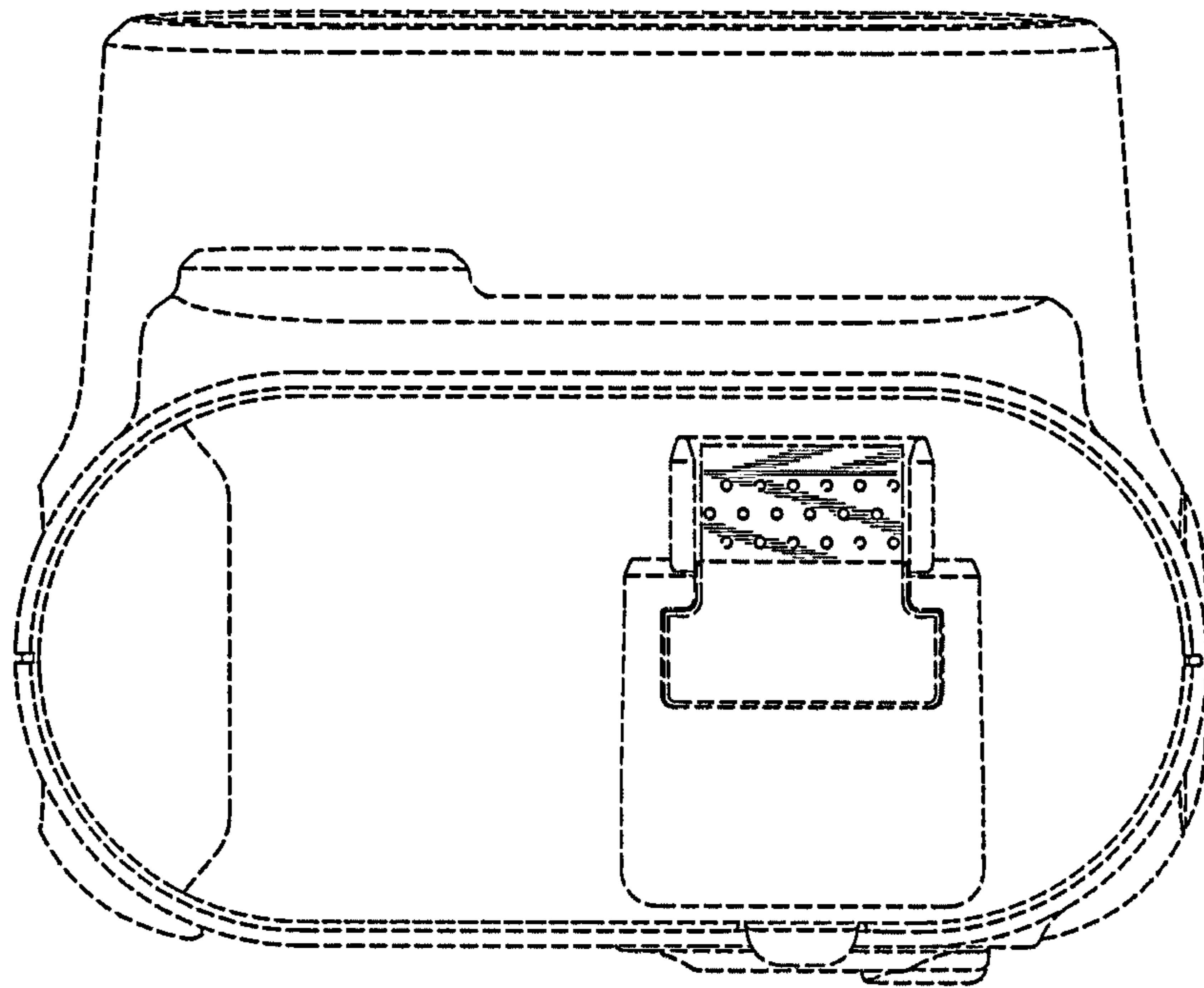


FIG. 4

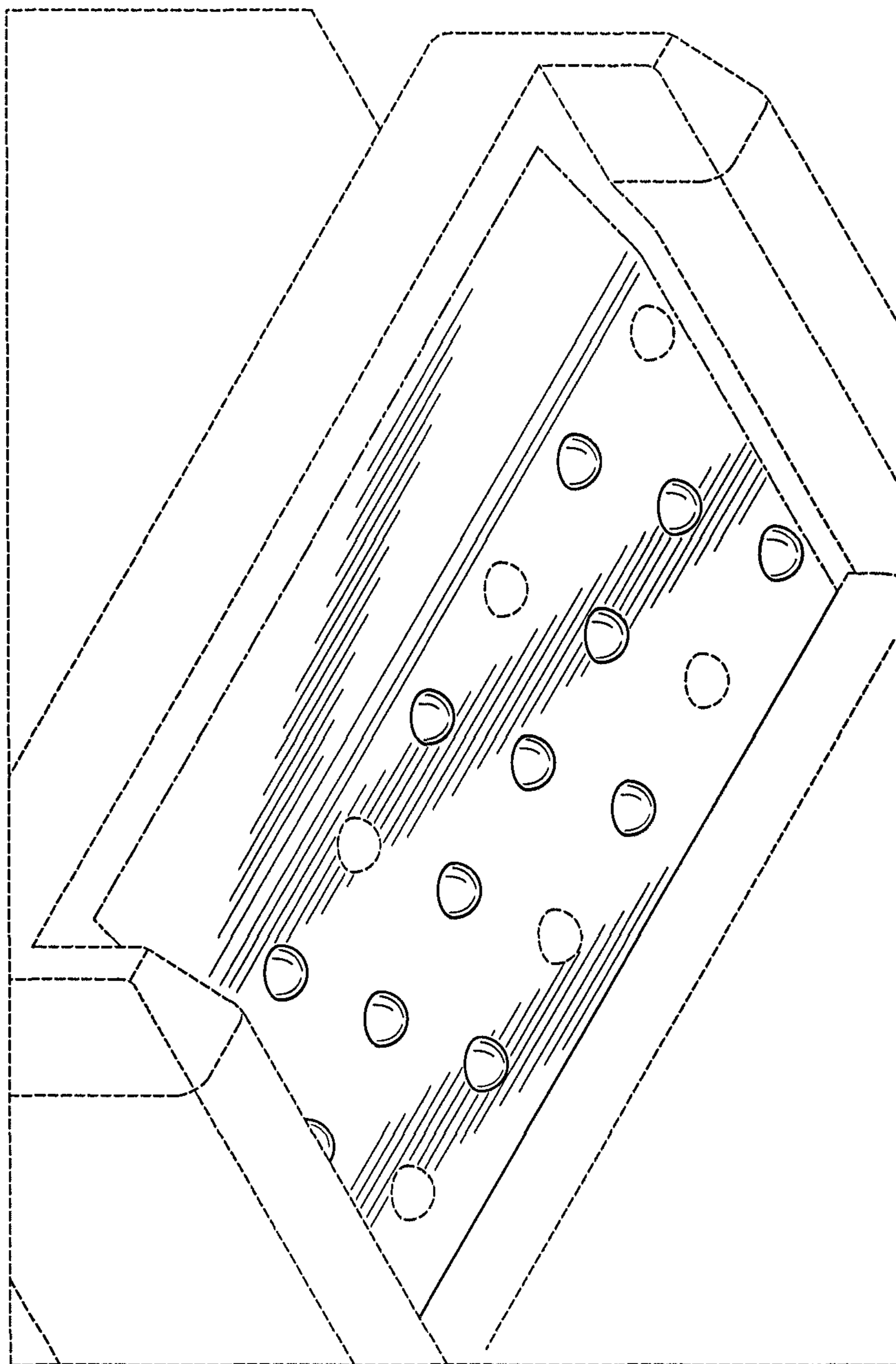


FIG. 5

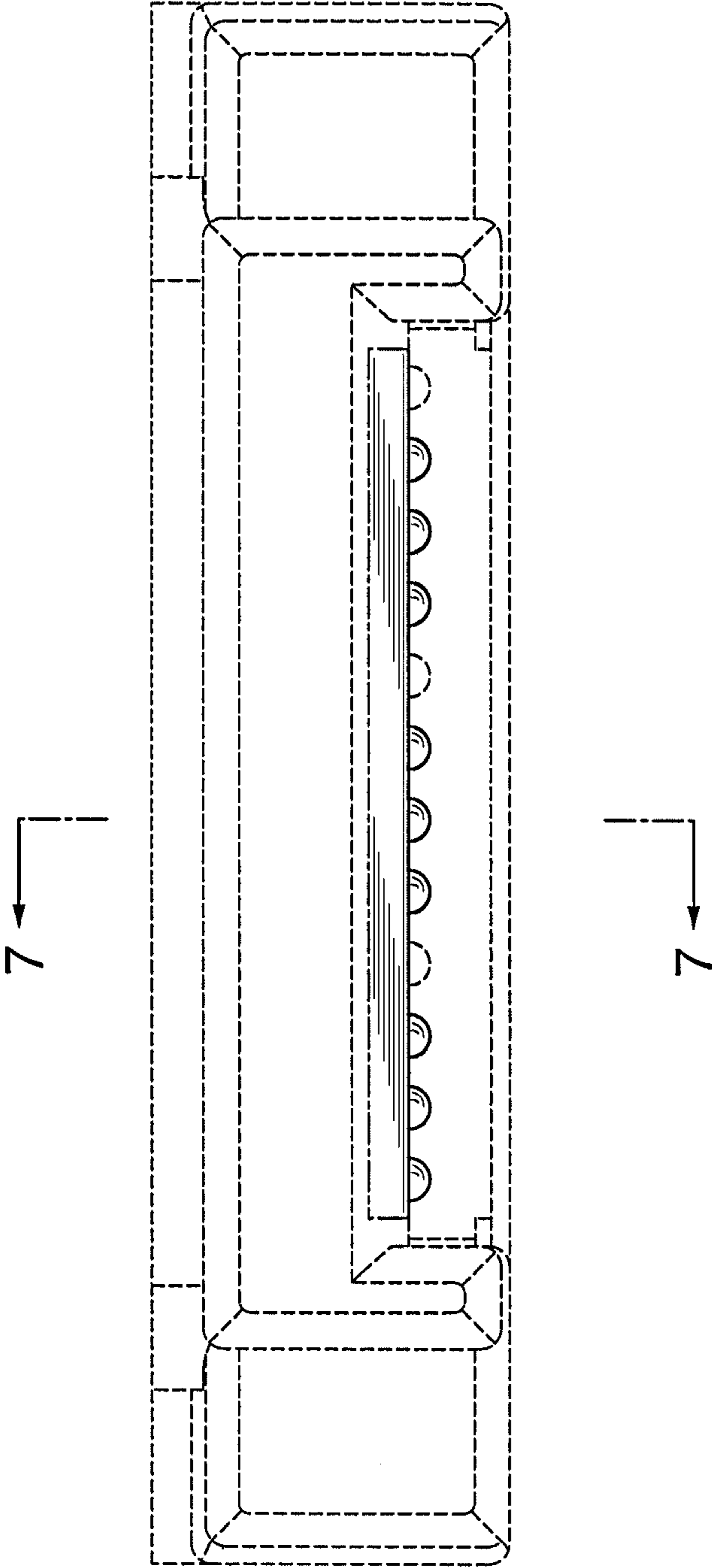


FIG. 6

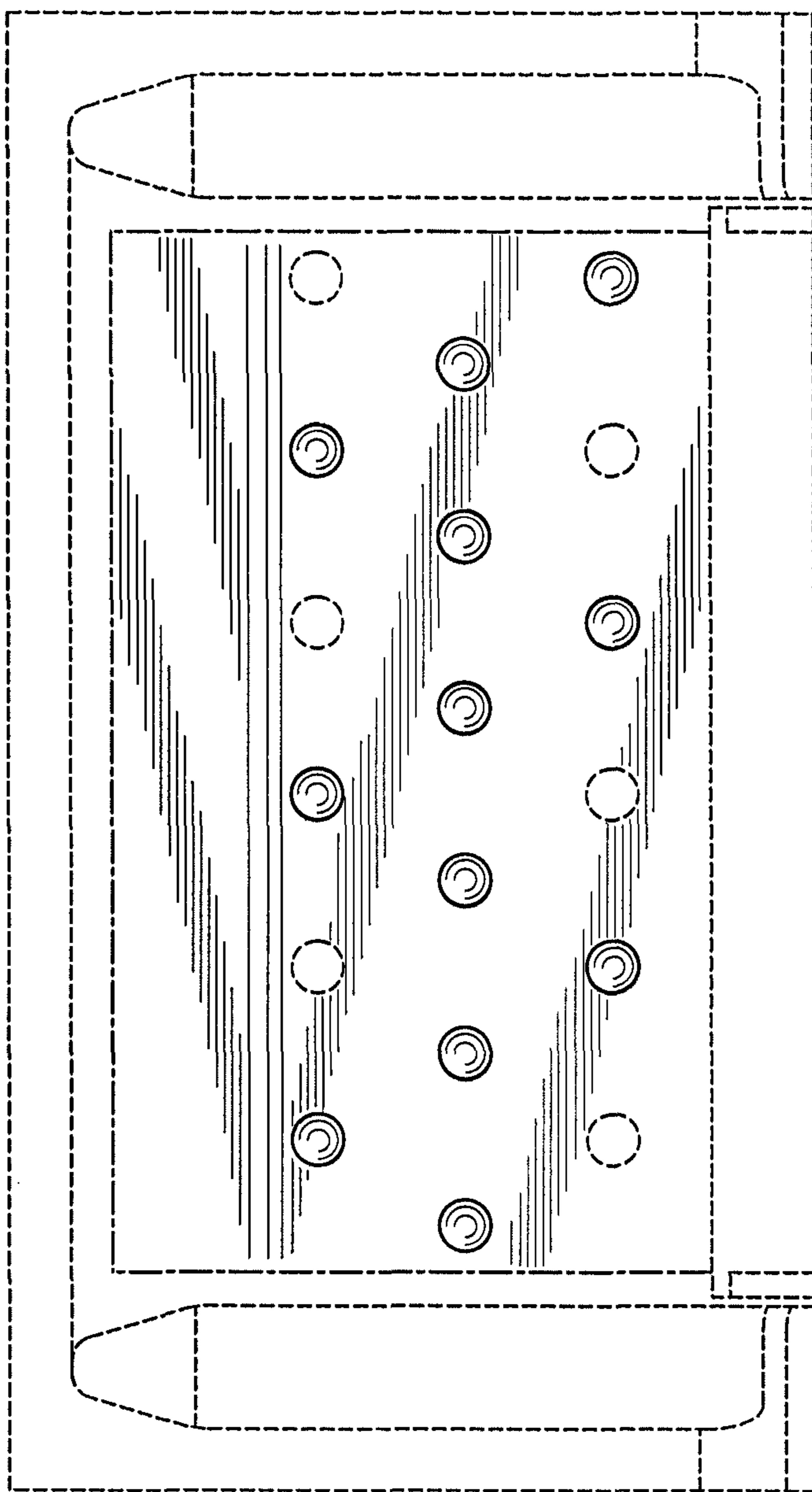
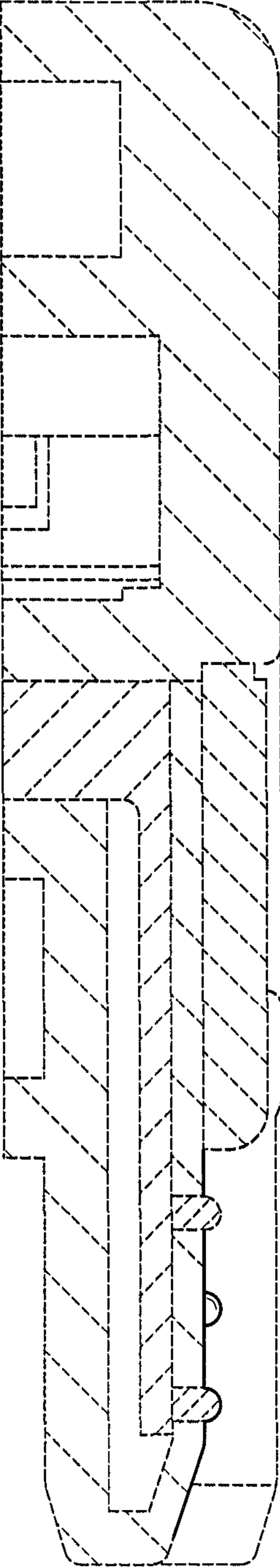


FIG. 7



UNITED STATES PATENT AND TRADEMARK OFFICE
CERTIFICATE OF CORRECTION

PATENT NO. : D714,375 S
APPLICATION NO. : 29/438084
DATED : September 30, 2014
INVENTOR(S) : Akihiro Ozone et al.

Page 1 of 1

It is certified that error appears in the above-identified patent and that said Letters Patent is hereby corrected as shown below:

Title Page Item (72) please add second inventor:

Yasuyuki Motoki (Yokohama-shi, JP)

Signed and Sealed this
Twenty-fourth Day of February, 2015



Michelle K. Lee
Deputy Director of the United States Patent and Trademark Office