



US00D714374S

(12) **United States Design Patent**
Sammons et al.

(10) **Patent No.:** **US D714,374 S**
(45) **Date of Patent:** **** Sep. 30, 2014**

(54) **GUIDING UNIT FOR POINTING APPARATUS**

(71) Applicant: **H4 Engineering, Inc.**, San Antonio, TX (US)

(72) Inventors: **Alexander G. Sammons**, San Antonio, TX (US); **Christopher T. Boyle**, San Antonio, TX (US); **Scott K. Taylor**, San Antonio, TX (US)

(73) Assignee: **H4 Engineering, Inc.**, San Antonio, TX (US)

(**) Term: **14 Years**

(21) Appl. No.: **29/478,982**

(22) Filed: **Jan. 10, 2014**

(51) **LOC (10) Cl.** **16-05**

(52) **U.S. Cl.**
USPC **D16/237**

(58) **Field of Classification Search**
CPC G03B 17/561-17/568; G03B 15/041-15/0436; G03B 21/20-21/2066
USPC D16/205, 211, 214, 218-220, 237-250, D16/302, 303; D19/9-10; D14/448-450; D8/354, 394-396; D26/65, 81; D24/150, 157, 177

See application file for complete search history.

(56) **References Cited**

U.S. PATENT DOCUMENTS

D121,995 S	8/1940	May	
D162,281 S *	3/1951	Bernzott et al.	D16/241
D162,295 S *	3/1951	Gardner	D16/241
D183,954 S *	11/1958	Storm et al.	D26/65
D189,760 S *	2/1961	Teague et al.	D26/65
D200,604 S	3/1965	Waterman	
D207,806 S	5/1967	Braun	
D295,739 S	5/1988	Lanci et al.	
D343,354 S	1/1994	Ashley et al.	

D349,162 S *	7/1994	Nordstrom et al.	D24/177
D374,858 S	10/1996	Chu	
D412,338 S	7/1999	Goto et al.	
D412,520 S *	8/1999	Krastel et al.	D16/246
D427,965 S	7/2000	Wu	
D428,796 S *	8/2000	van Ochten	D8/349
D478,608 S	8/2003	Briks et al.	
D484,797 S	1/2004	Kipperman et al.	
D492,295 S	6/2004	Glatt	
D529,447 S	10/2006	Greenfield	
D544,437 S	6/2007	Hussaini et al.	
D556,571 S	12/2007	Jalet	
D557,204 S	12/2007	Panbianco et al.	
D591,231 S	4/2009	Wung et al.	
D592,131 S	5/2009	Heinzen et al.	
D604,605 S	11/2009	Chung et al.	
D606,492 S	12/2009	Steinfels	
D623,124 S	9/2010	Nomi et al.	
D643,808 S	8/2011	Shaper	
D653,693 S	2/2012	Jannard et al.	

(Continued)

Primary Examiner — Susan Bennett Hattan

Assistant Examiner — Vy Koenig

(74) *Attorney, Agent, or Firm* — Volk & McElroy, LLP; Michael D. Volk, Jr.

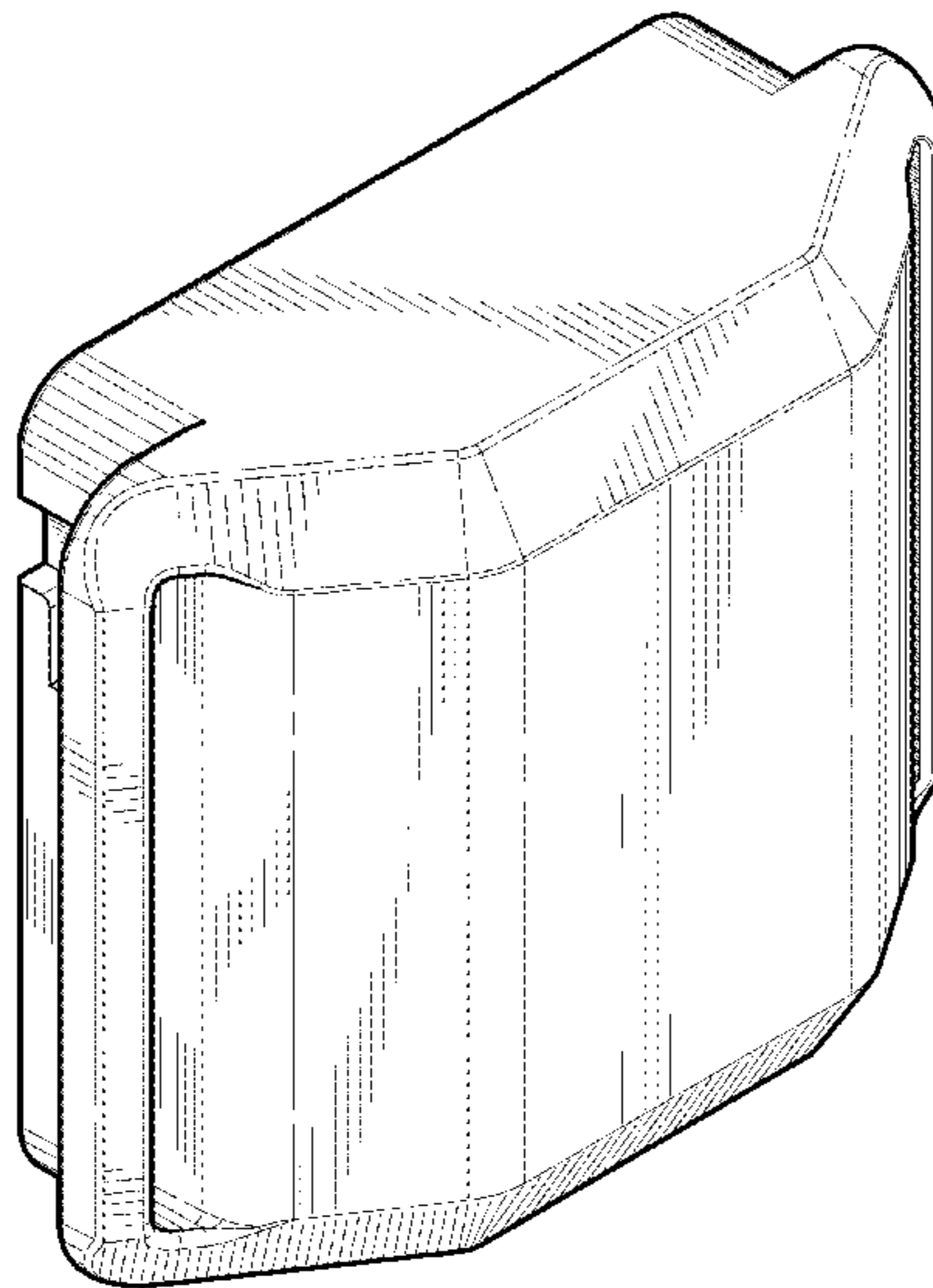
(57) **CLAIM**

The ornamental design for a guiding unit for pointing apparatus, as shown.

DESCRIPTION

FIG. 1 is a perspective view of a guiding unit for pointing apparatus showing our new design; FIG. 2 is a rear perspective view thereof; FIG. 3 is a front view thereof; FIG. 4 is a right side view thereof; FIG. 5 is a left side view thereof; FIG. 6 is a rear view thereof; FIG. 7 is a top view thereof; and, FIG. 8 is bottom view thereof.

1 Claim, 6 Drawing Sheets



(56)

References Cited

U.S. PATENT DOCUMENTS

D654,018 S 2/2012 Conley et al.
D658,700 S 5/2012 Jannard et al.
D659,091 S 5/2012 Sasada et al.
D680,952 S 4/2013 Henderson et al.
D684,210 S 6/2013 Boyle et al.
D687,768 S 8/2013 Minamikawa
D689,017 S 9/2013 Ambrose et al.

D690,199 S 9/2013 Lee et al.
D703,719 S 4/2014 Boyle et al.
8,704,904 B2 4/2014 Boyle et al.
D704,762 S 5/2014 Boyle et al.
2013/0162852 A1 6/2013 Boyle et al.
2013/0199251 A1 8/2013 Taylor et al.
2013/0229528 A1 9/2013 Taylor et al.
2013/0230293 A1 9/2013 Boyle et al.
2013/0242105 A1 9/2013 Boyle et al.

* cited by examiner

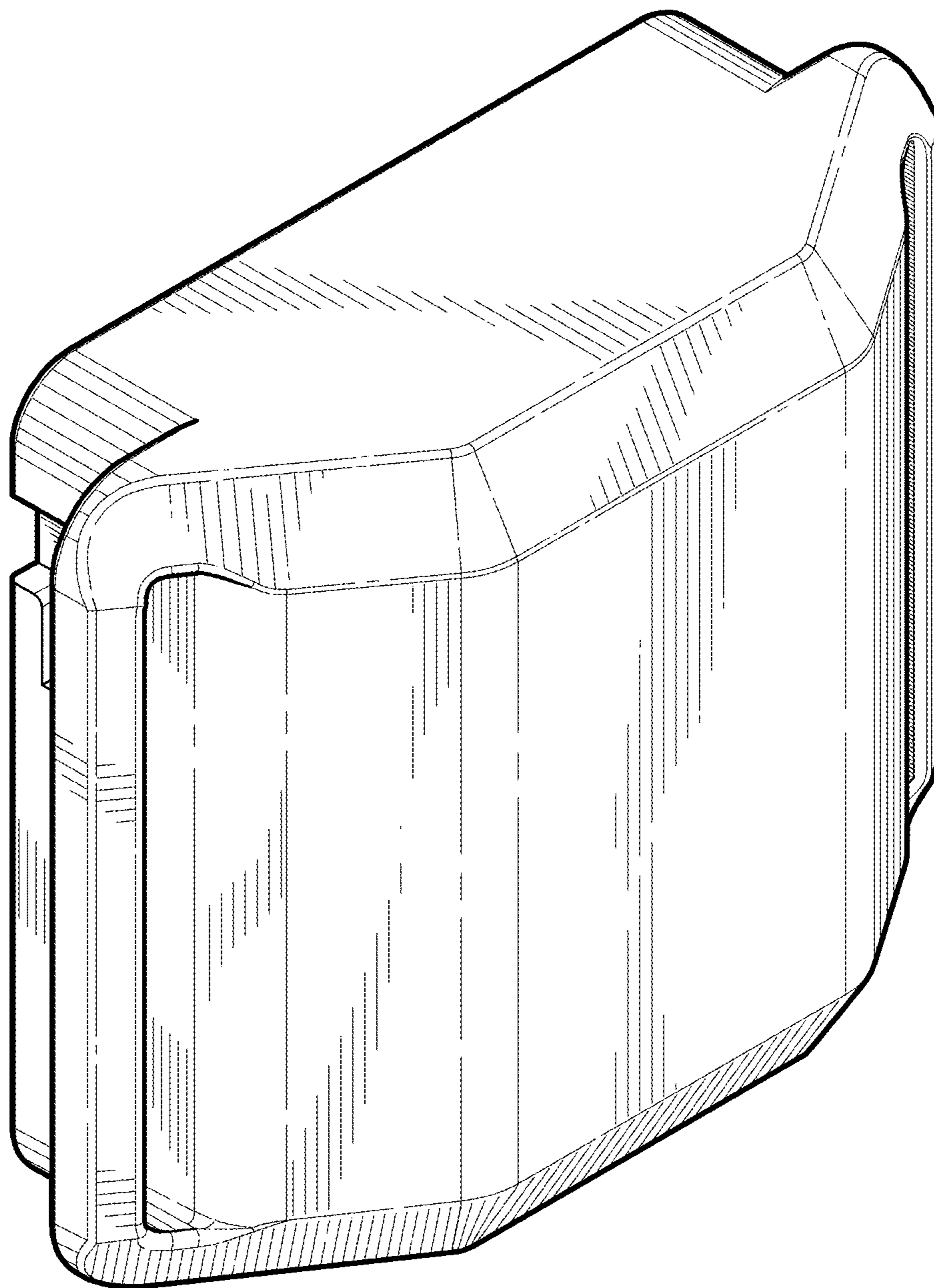


FIG. 1

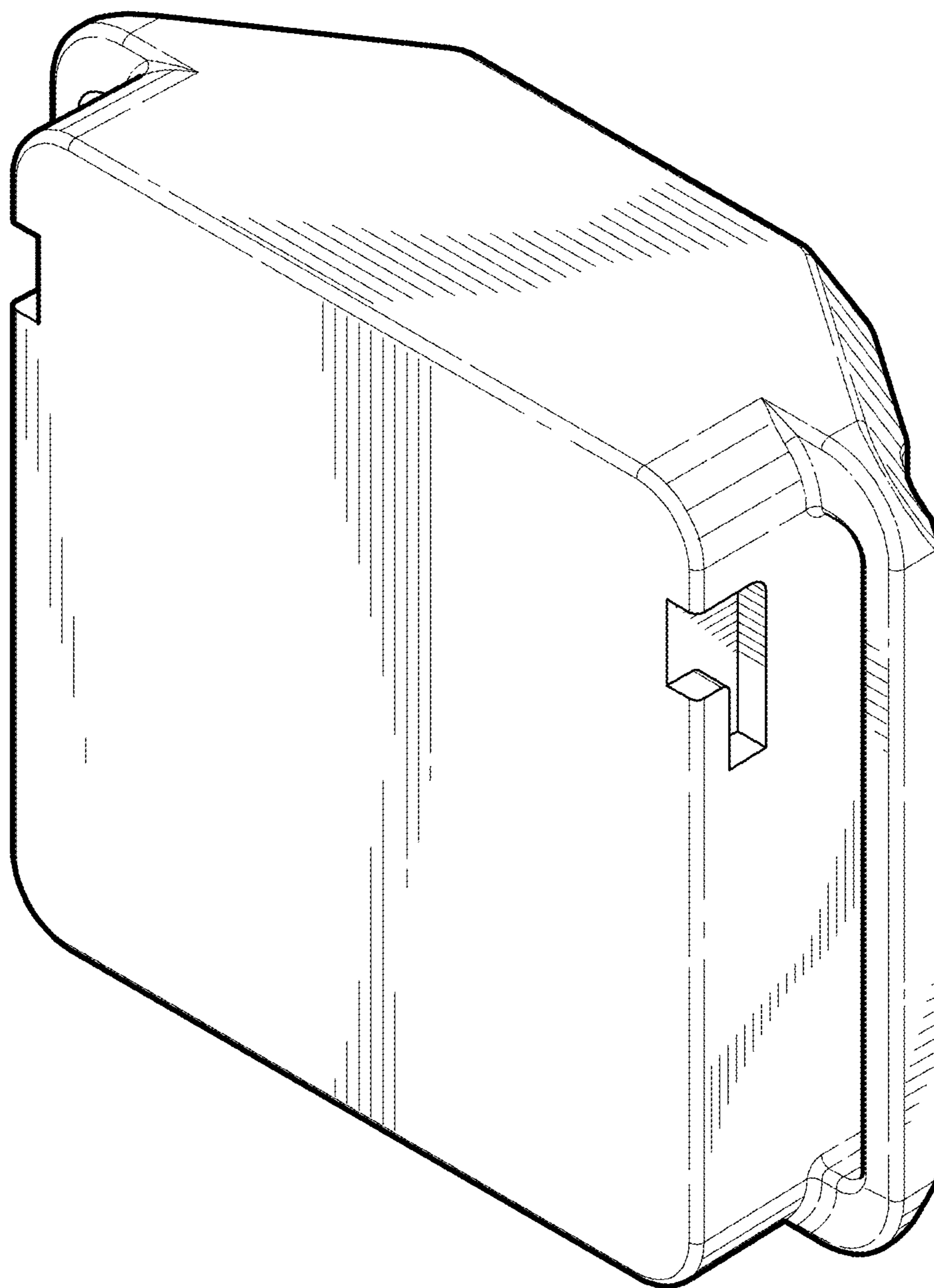


FIG. 2

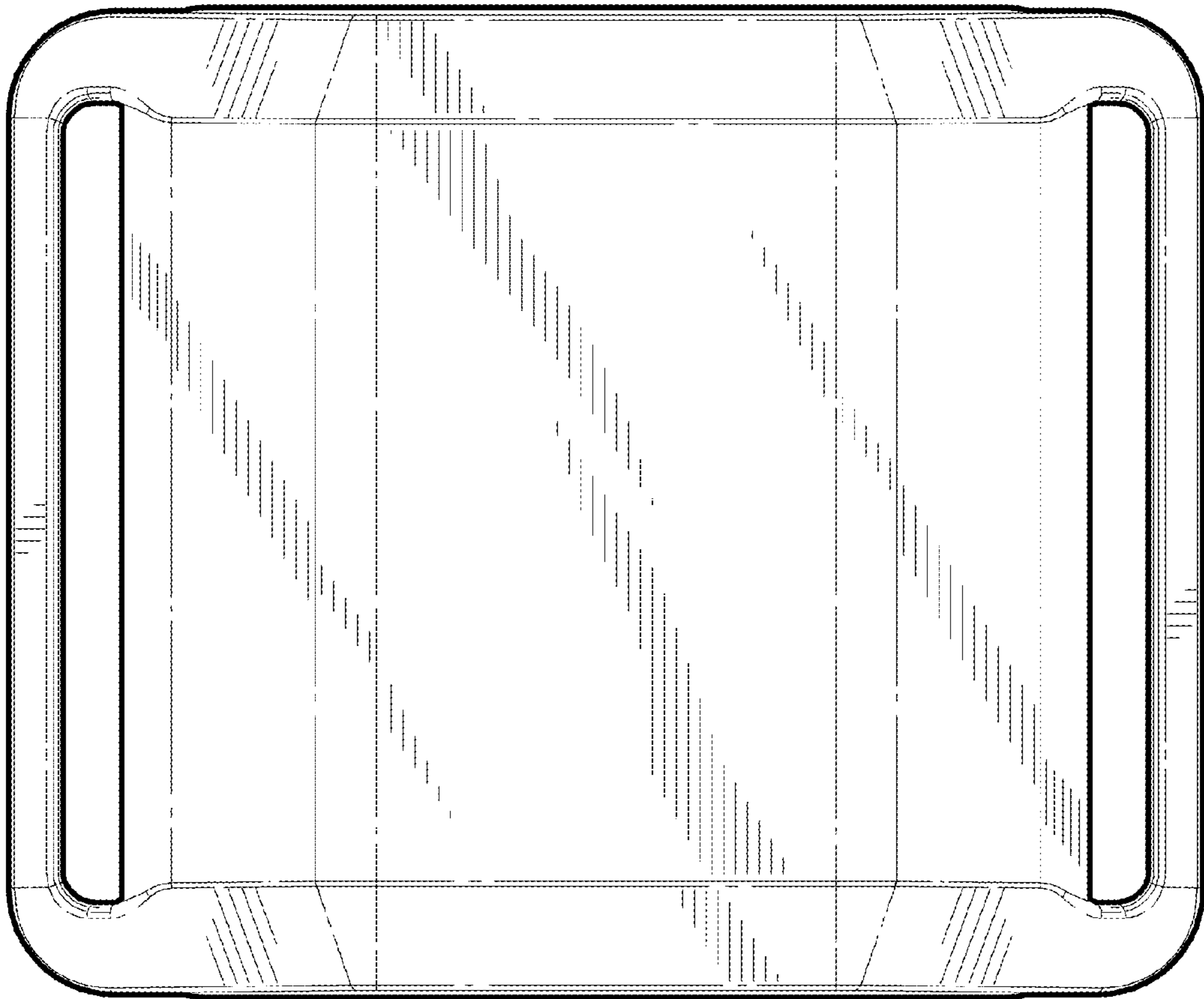


FIG. 3

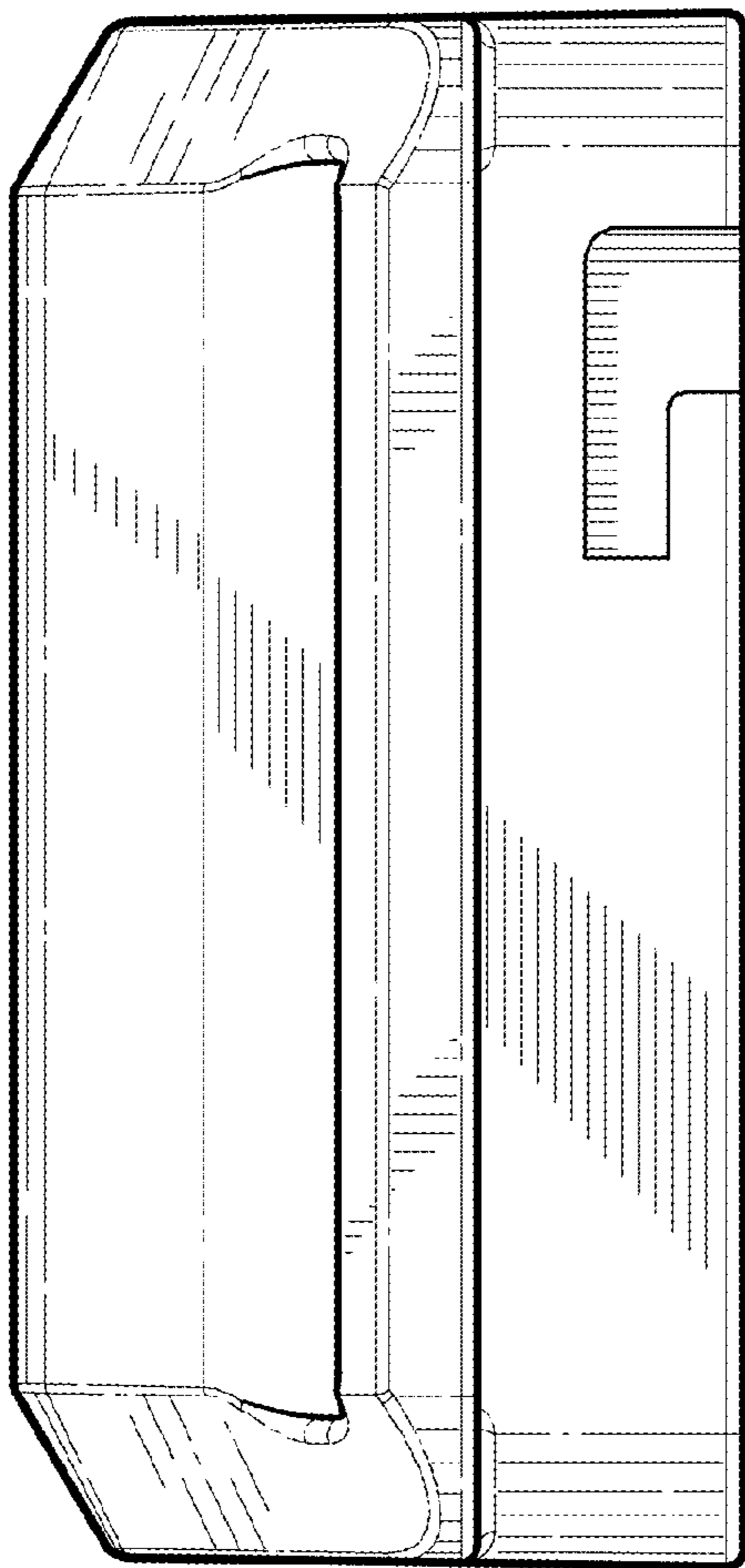


FIG. 4

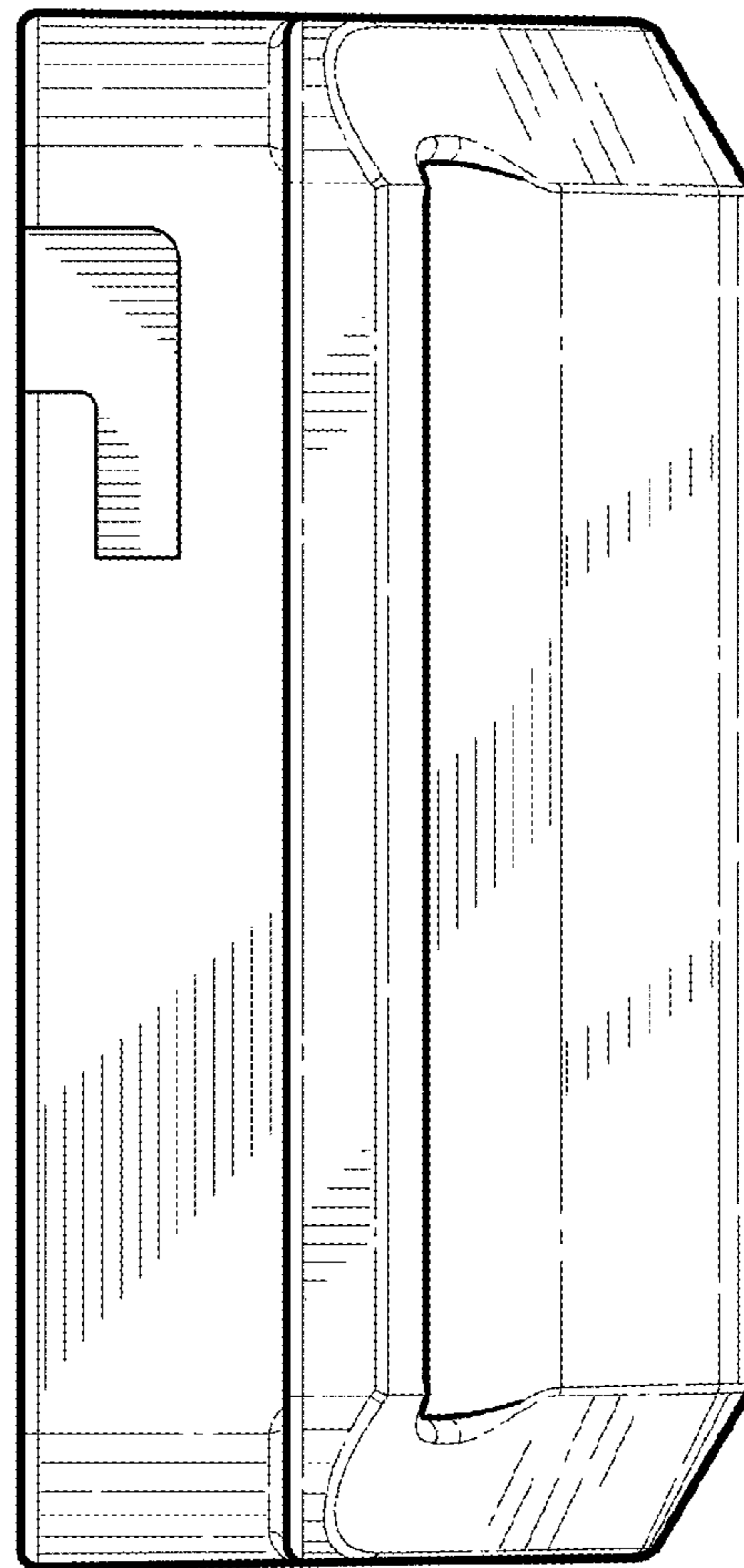


FIG. 5

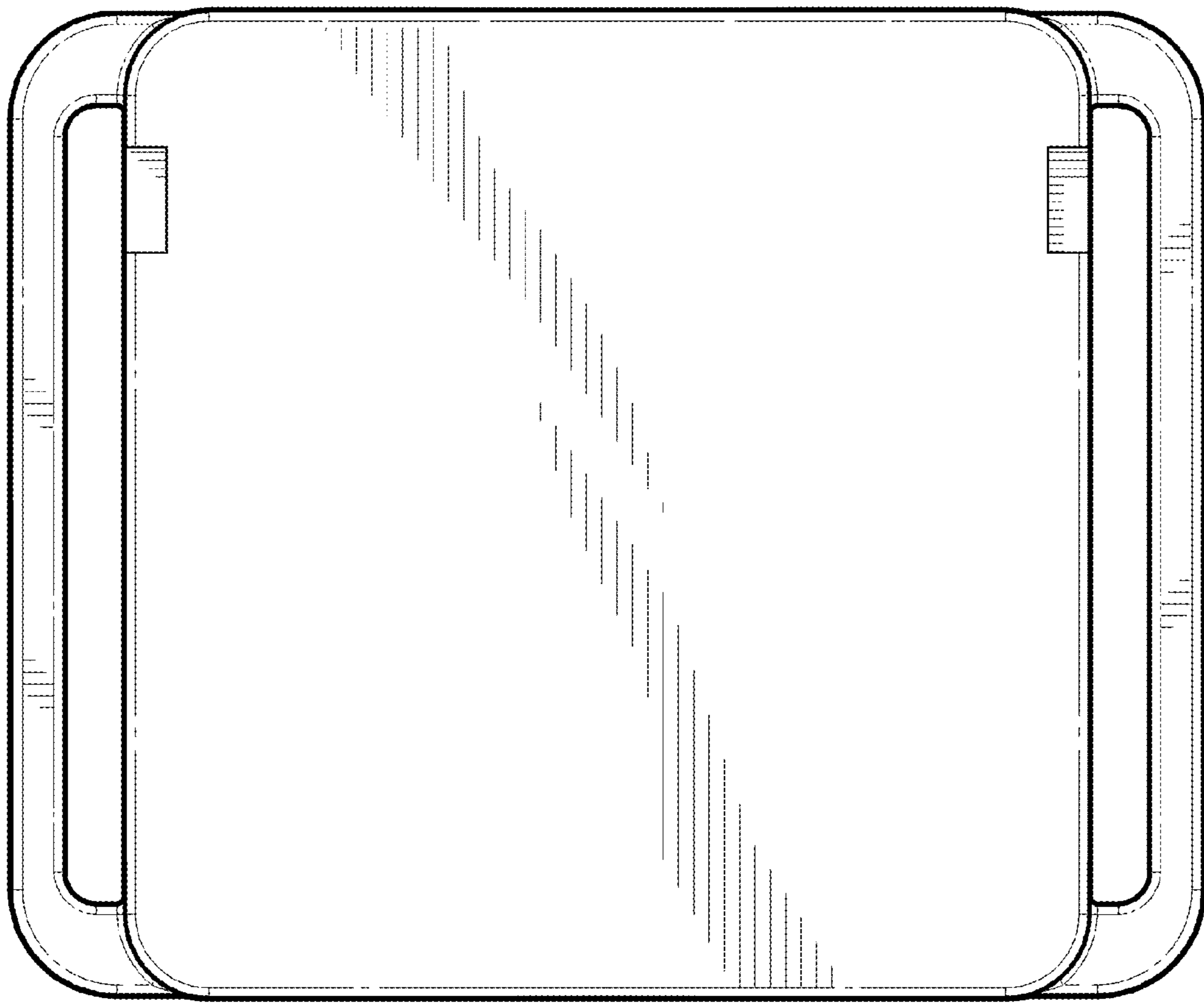


FIG. 6

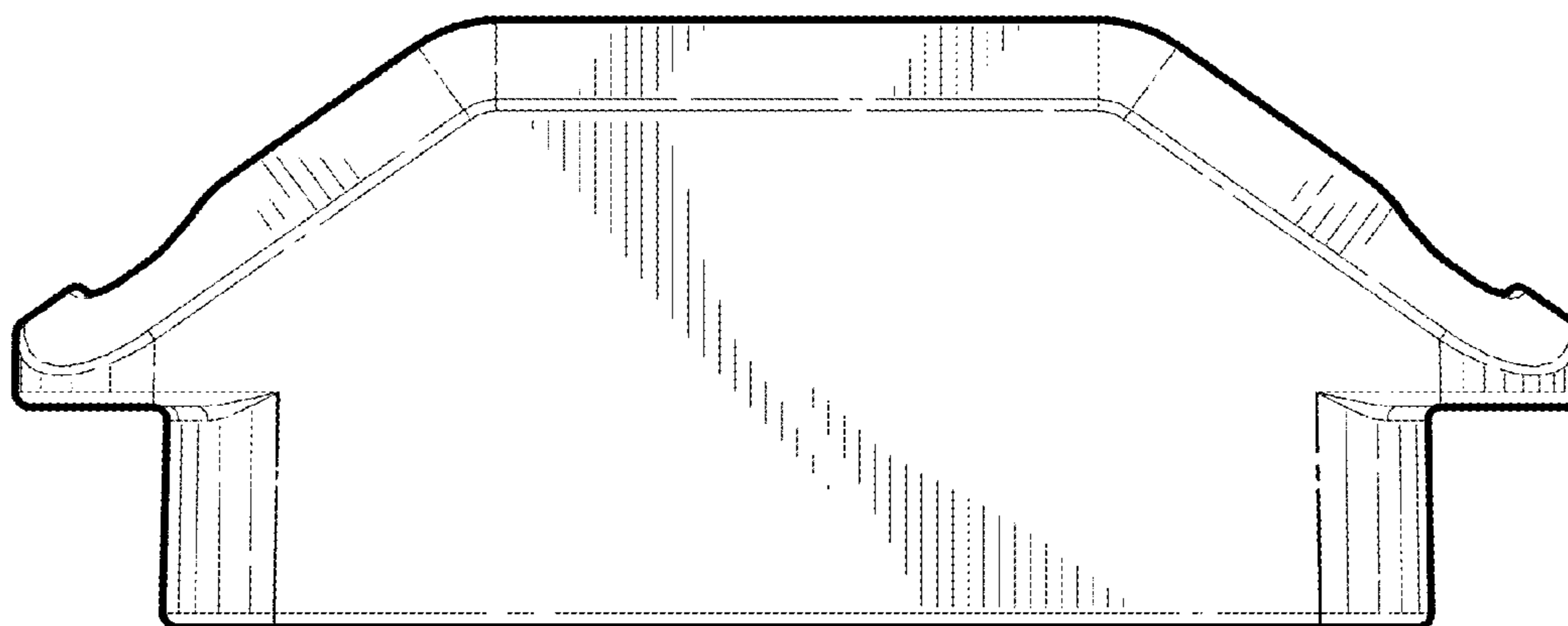


FIG. 7

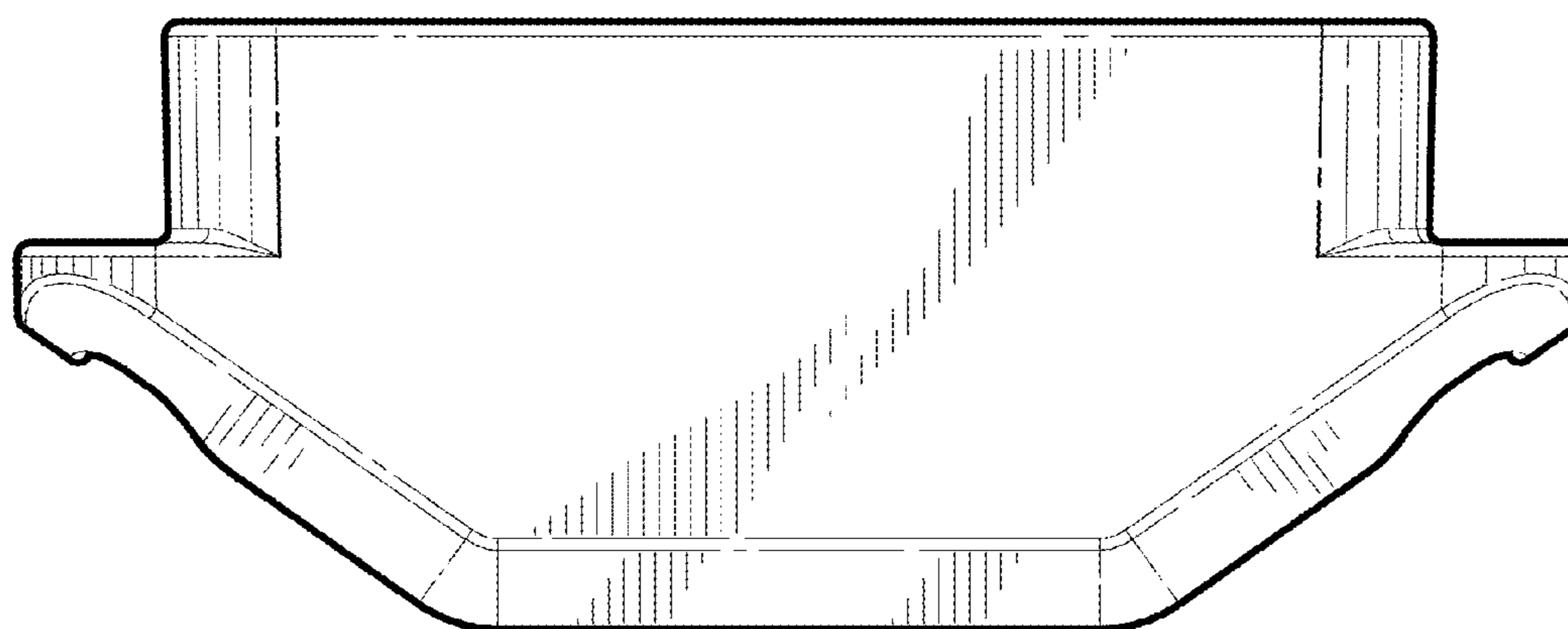


FIG. 8