



US00D714373S

(12) **United States Design Patent**
Kim et al.

(10) **Patent No.:** **US D714,373 S**

(45) **Date of Patent:** **** Sep. 30, 2014**

(54) **DIGITAL CAMERA**

(71) Applicant: **Samsung Electronics Co., Ltd.**,
Gyeonggi-do (KR)

(72) Inventors: **Joo-Hyung Kim**, Seoul (KR); **Min Ki Ham**, Seoul (KR)

(73) Assignee: **Samsung Electronics Co., Ltd.**,
Suwon-si (KR)

(**) Term: **14 Years**

(21) Appl. No.: **29/471,446**

(22) Filed: **Oct. 31, 2013**

Related U.S. Application Data

(63) Continuation of application No. 29/423,341, filed on
May 31, 2012, now Pat. No. Des. 695,802.

(51) **LOC (10) Cl.** **16-01**

(52) **U.S. Cl.**
USPC **D16/200; D16/219; D16/134**

(58) **Field of Classification Search**
USPC **D16/200, 202, 204, 218; 348/373, 374,**
348/375, 376; 358/909.1; 396/535-541
See application file for complete search history.

(56) **References Cited**

U.S. PATENT DOCUMENTS

7,106,963 B2 * 9/2006 Shibata 396/535
D555,689 S * 11/2007 Yoo et al. D16/202

D556,229 S * 11/2007 Bai D16/202
D596,217 S * 7/2009 Kim et al. D16/219
D628,220 S * 11/2010 Lee D16/202
D639,326 S * 6/2011 Baba et al. D16/202
D641,032 S * 7/2011 Yoshii D16/202
D649,997 S * 12/2011 Imai D16/202
D685,834 S * 7/2013 Chai et al. D16/202
D689,111 S * 9/2013 Kobayashi D16/202
D695,802 S * 12/2013 Kim et al. D16/200
2013/0176475 A1 * 7/2013 Kunishige et al. 348/333.12

* cited by examiner

Primary Examiner — Philip S Hyder

Assistant Examiner — Darlington Ly

(74) *Attorney, Agent, or Firm* — Ladas & Parry LLP

(57) **CLAIM**

The ornamental design for a digital camera, as shown and described.

DESCRIPTION

FIG. 1 is a front perspective view of a digital camera showing our new design;

FIG. 2 is a front view thereof;

FIG. 3 is a rear view thereof;

FIG. 4 is a left-side view thereof;

FIG. 5 is a right-side view thereof;

FIG. 6 is a top view thereof; and,

FIG. 7 is a bottom view thereof.

The broken lines shown in the drawings illustrate portions of the digital camera that form no part of the claimed design.

1 Claim, 7 Drawing Sheets

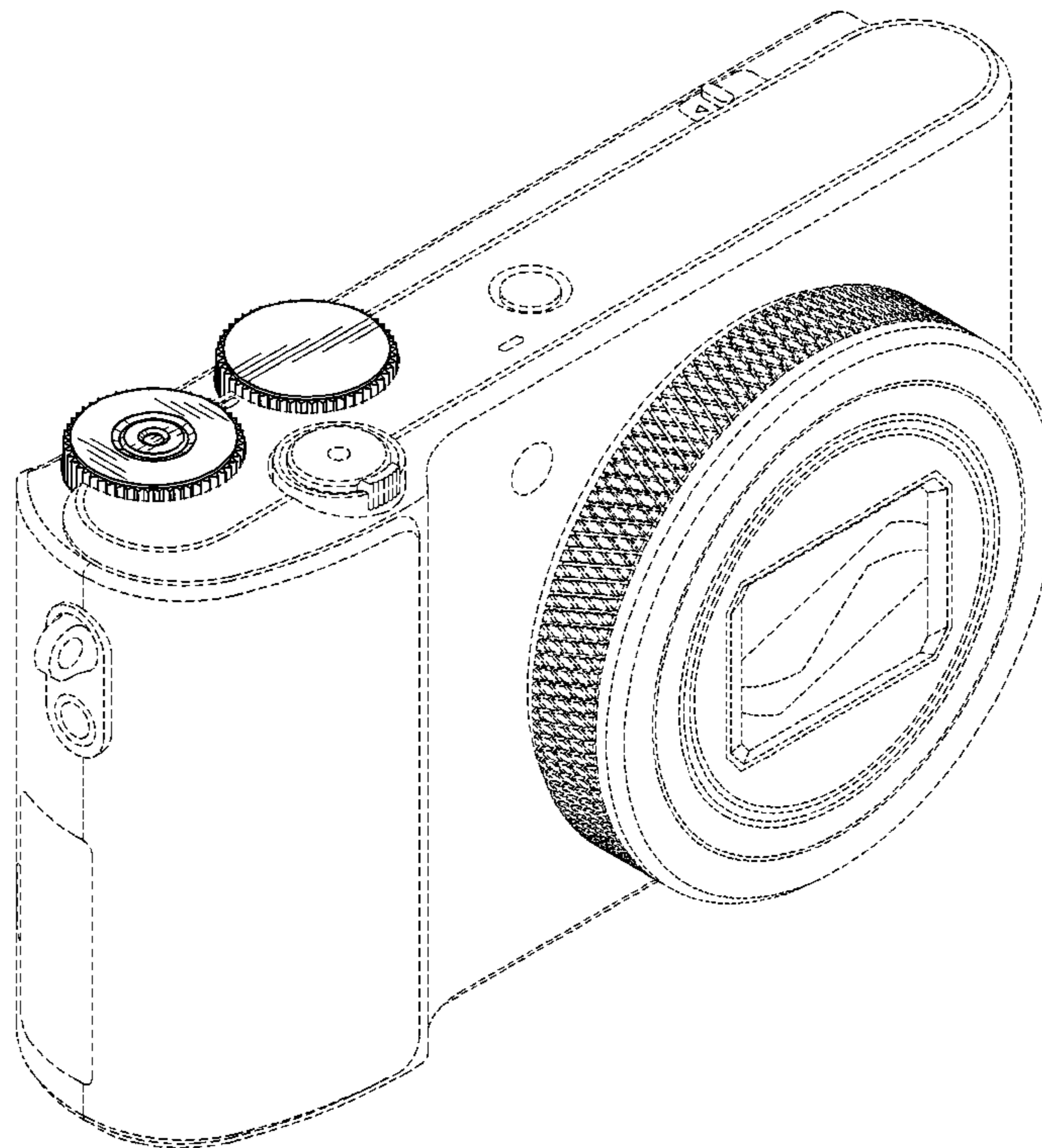


FIG. 1

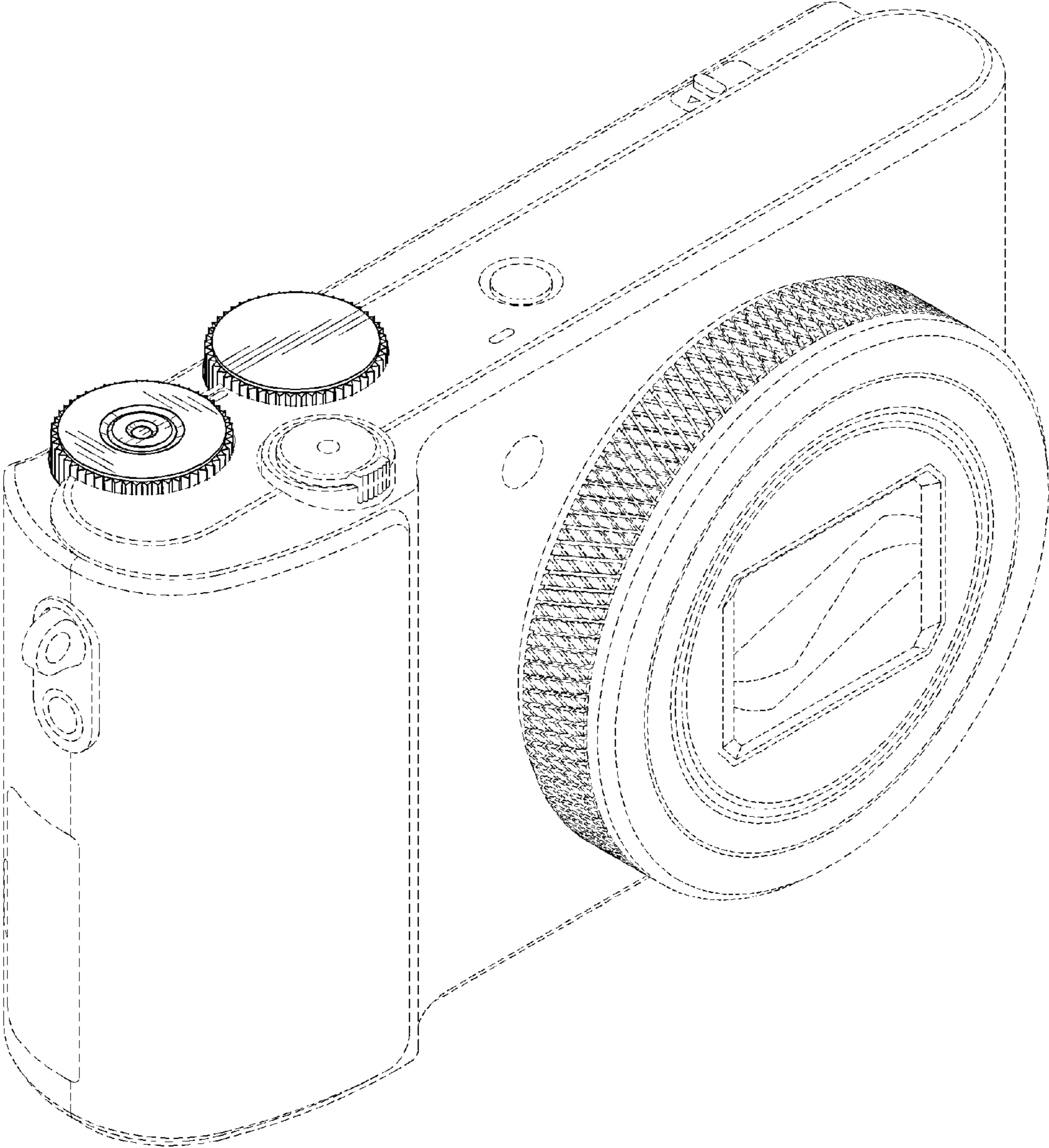


FIG. 2

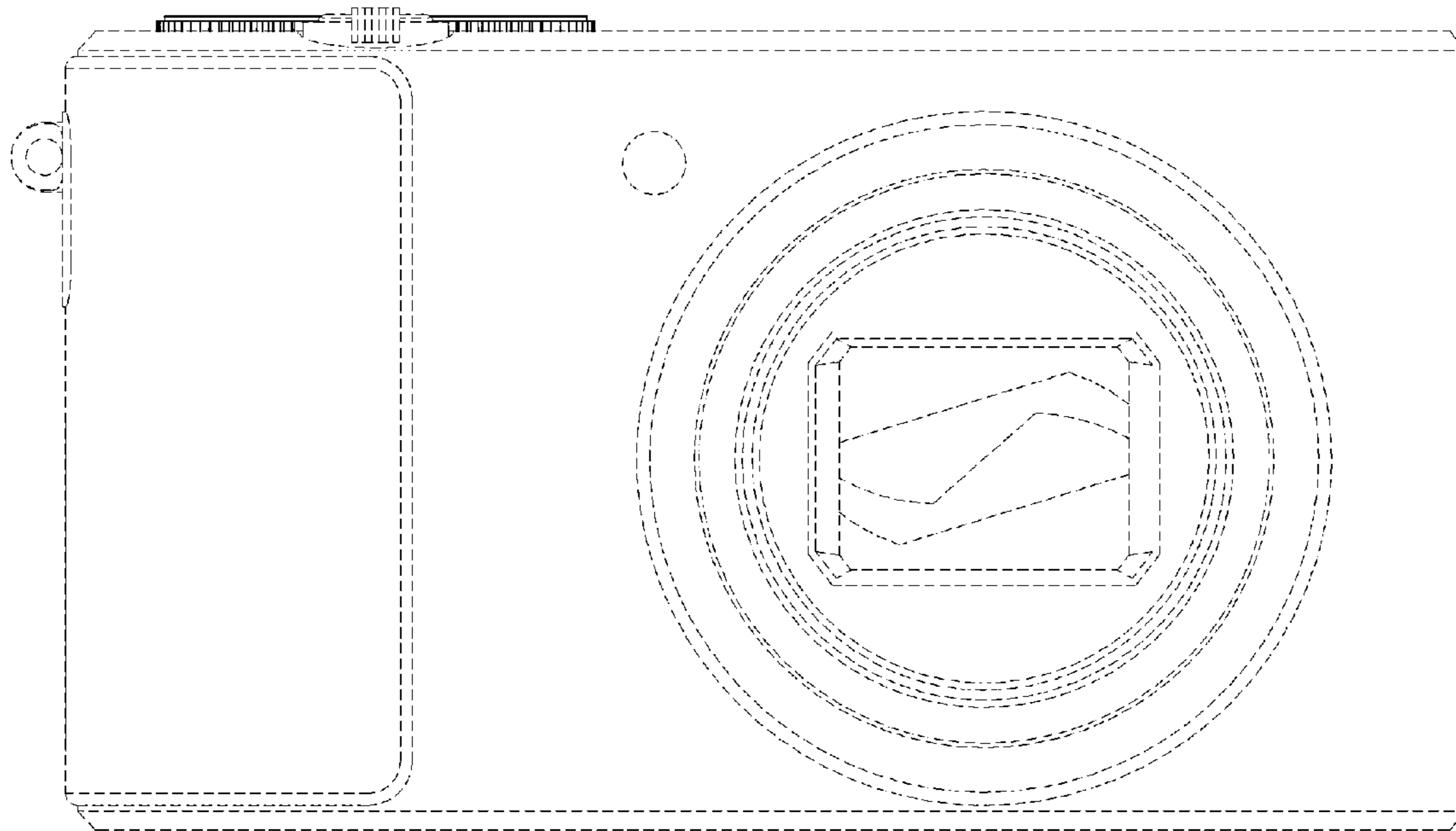


FIG. 3

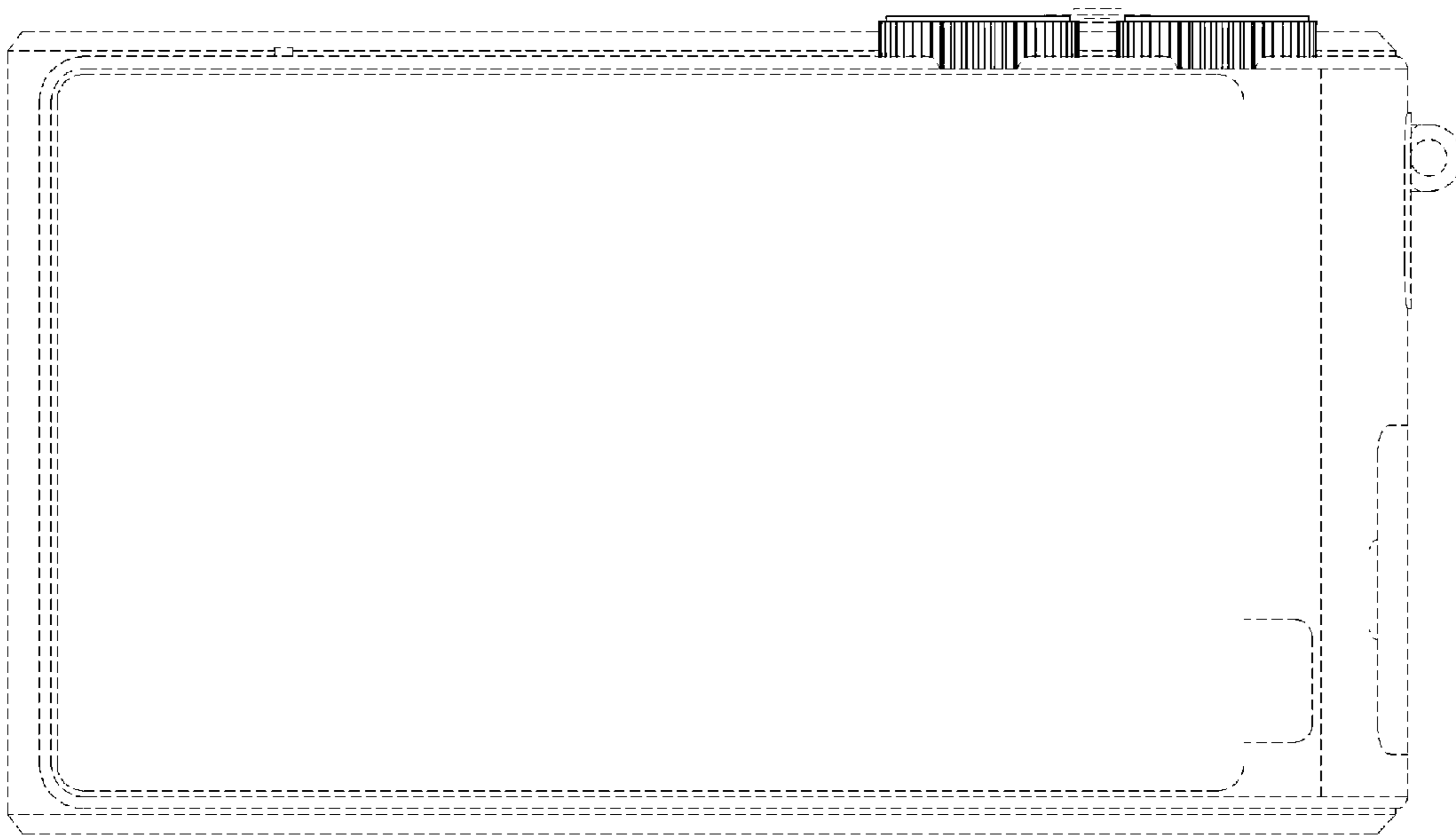


FIG. 4

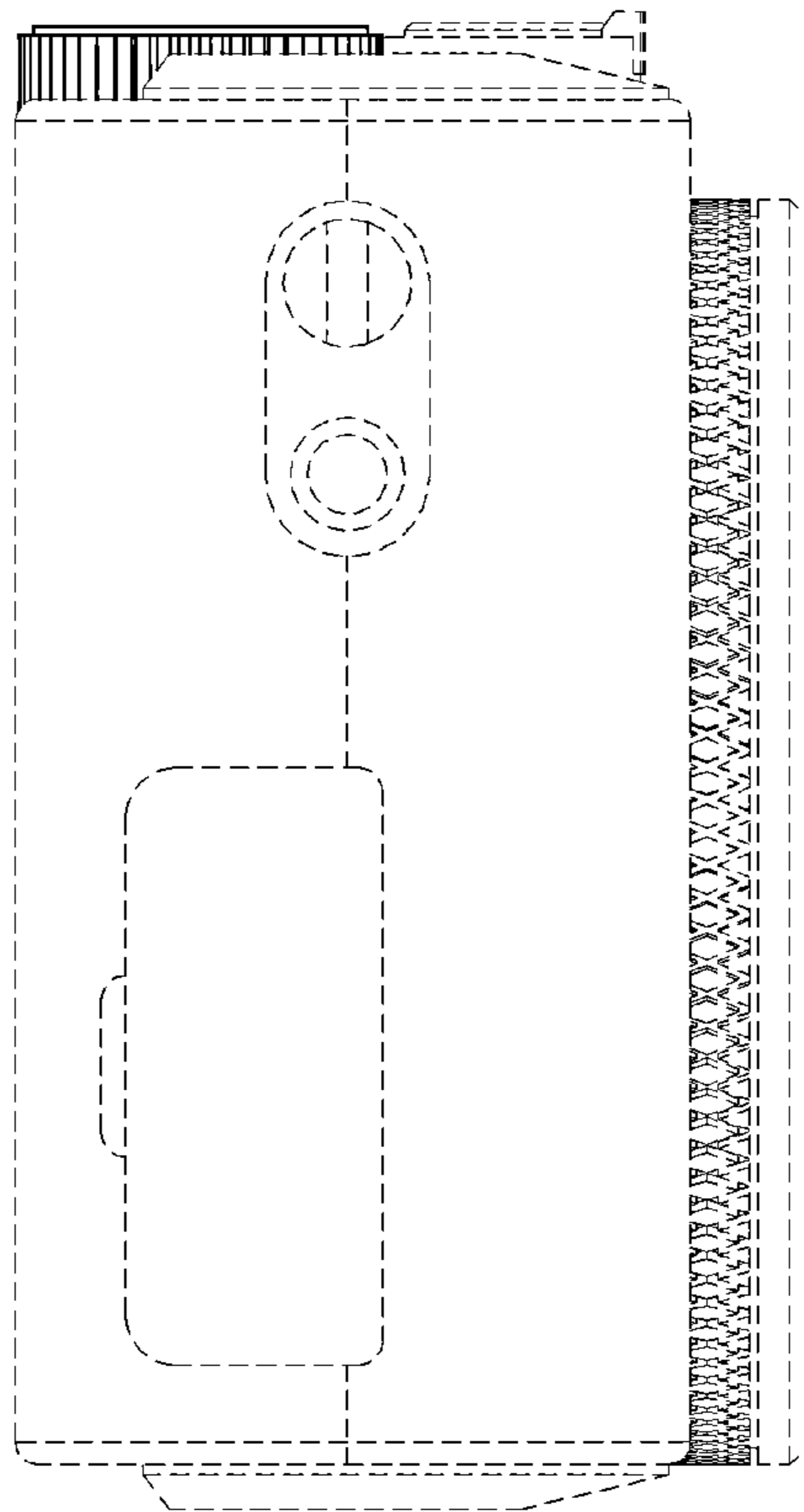


FIG. 5

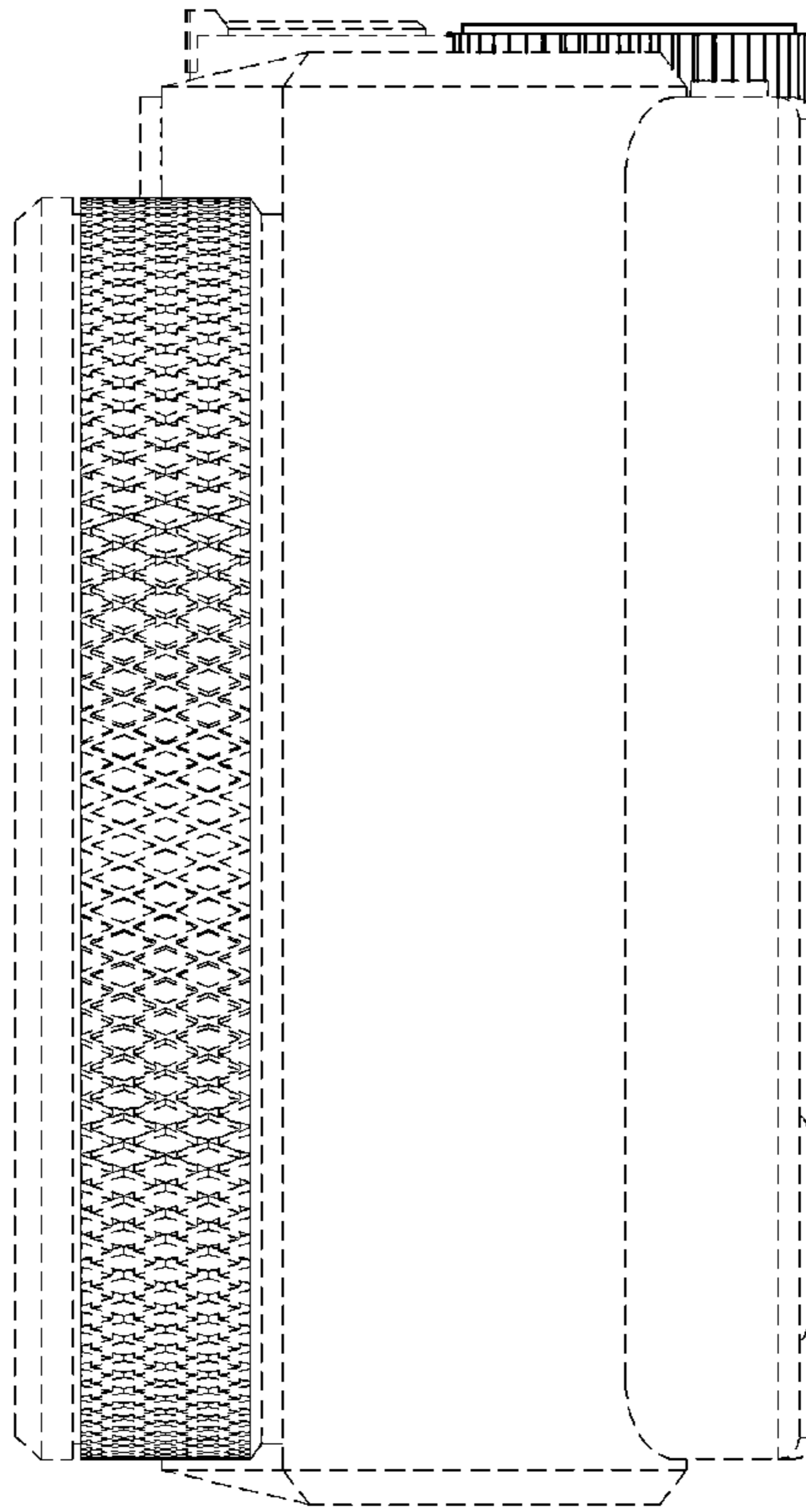


FIG. 6

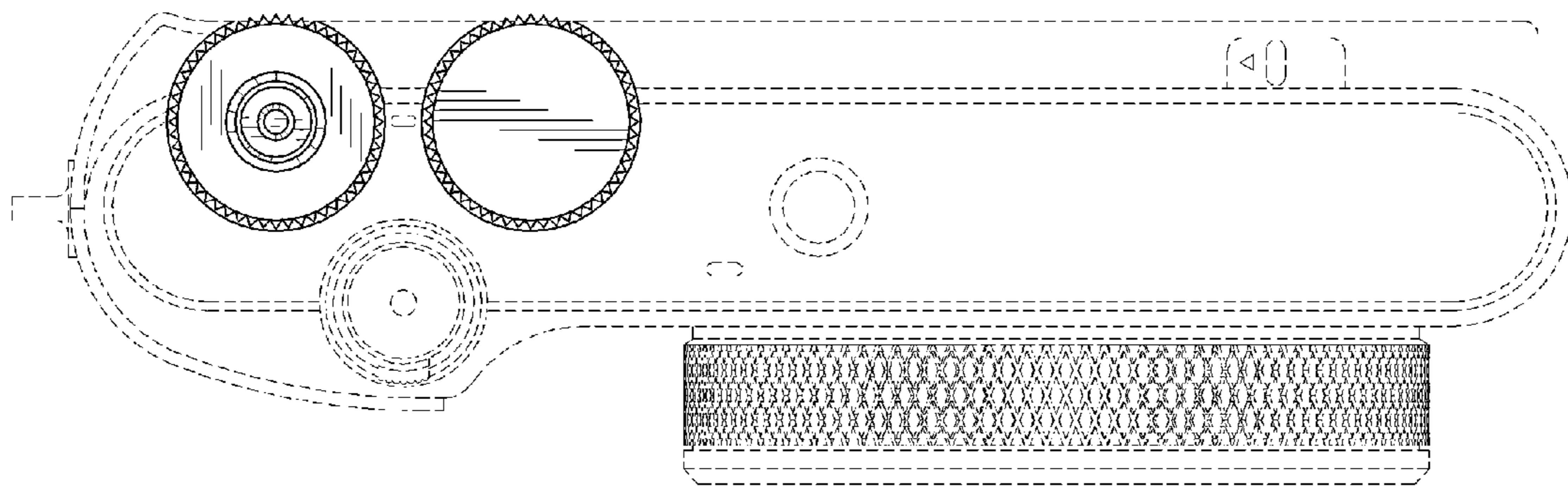


FIG. 7

