



US00D714365S

(12) **United States Design Patent**
Jeon et al.

(10) **Patent No.:** **US D714,365 S**

(45) **Date of Patent:** **** Sep. 30, 2014**

(54) **REFRIGERATOR**

(71) Applicant: **Samsung Electronics Co., Ltd.**,
Suwon-si (KR)

(72) Inventors: **Sang-Woon Jeon**, Namyangju-si (KR);
Min-Hyong Boo, Seoul (KR);
Jae-Moon Lee, Seoul (KR)

(73) Assignee: **Samsung Electronics Co., Ltd.** (KR)

(**) Term: **14 Years**

(21) Appl. No.: **29/460,409**

(22) Filed: **Jul. 10, 2013**

(30) **Foreign Application Priority Data**

Jan. 11, 2013 (KR) 30-2013-0001821

(51) **LOC (10) Cl.** **15-07**

(52) **U.S. Cl.**
USPC **D15/86**

(58) **Field of Classification Search**
USPC D15/79-91; 62/440-449, 3.1, 3.6, 3.64,
62/246-255, 337; 312/138.1, 139.2, 236,
312/400-408, 352

See application file for complete search history.

(56) **References Cited**

U.S. PATENT DOCUMENTS

D365,579 S * 12/1995 Baker et al. D15/89
5,474,213 A * 12/1995 Unger 222/108
D367,659 S * 3/1996 Baker et al. D15/89
D523,878 S * 6/2006 Quinlan et al. D15/89

D568,913 S * 5/2008 Suh et al. D15/89
D569,399 S * 5/2008 Crookshanks et al. D15/89
D582,443 S * 12/2008 Kim et al. D15/89
D589,988 S * 4/2009 Martin et al. D15/89
D697,537 S * 1/2014 Seo et al. D15/89

* cited by examiner

Primary Examiner — Thomas Johannes

Assistant Examiner — Khawaja Anwar

(74) *Attorney, Agent, or Firm* — Cantor Colburn LLP

(57) **CLAIM**

We claim, the ornamental design for a refrigerator, as shown and described.

DESCRIPTION

FIG. 1 is a perspective view of a refrigerator, showing our new design;

FIG. 2 is a front elevation view thereof;

FIG. 3 is a rear elevation view thereof;

FIG. 4 is a side elevation view thereof;

FIG. 5 is a another side elevation view thereof;

FIG. 6 is a top plan view thereof;

FIG. 7 is a bottom plan view thereof;

FIG. 8 is an enlarged, alternate perspective detail view of the dispenser cavity and apparatus thereof; and,

FIG. 9 is an enlarged, detail view of an individual component isolated from the FIG. 8 detail view of the dispenser cavity showing a usage condition.

The broken lines in the drawings show unclaimed subject matter only and form no part of the claimed design.

The dot-dash style broken lines in FIG. 1, 2 and 3 illustrate the origin of the isolated detail views which are enlarged in FIG. 2 and FIG. 3.

1 Claim, 9 Drawing Sheets

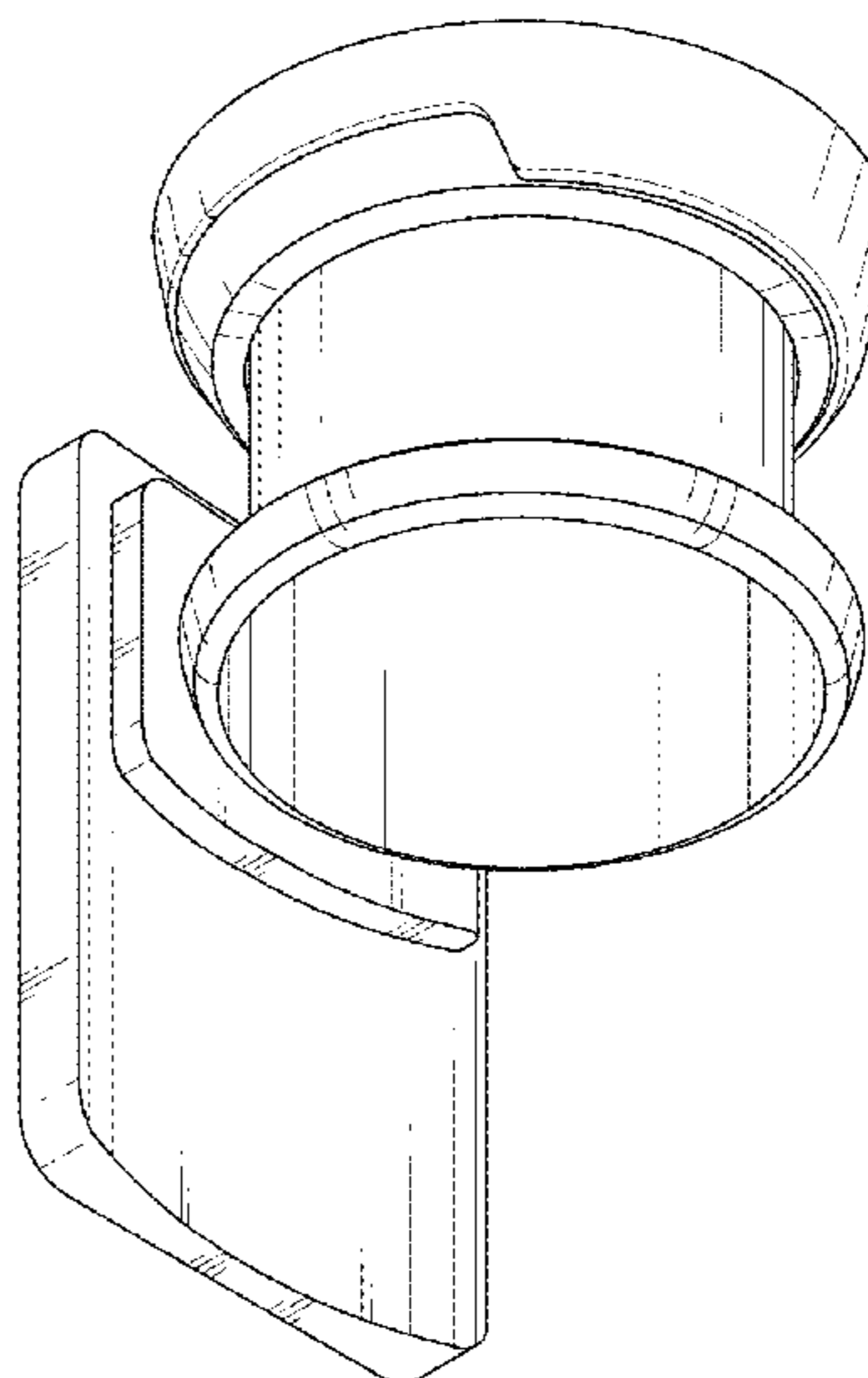
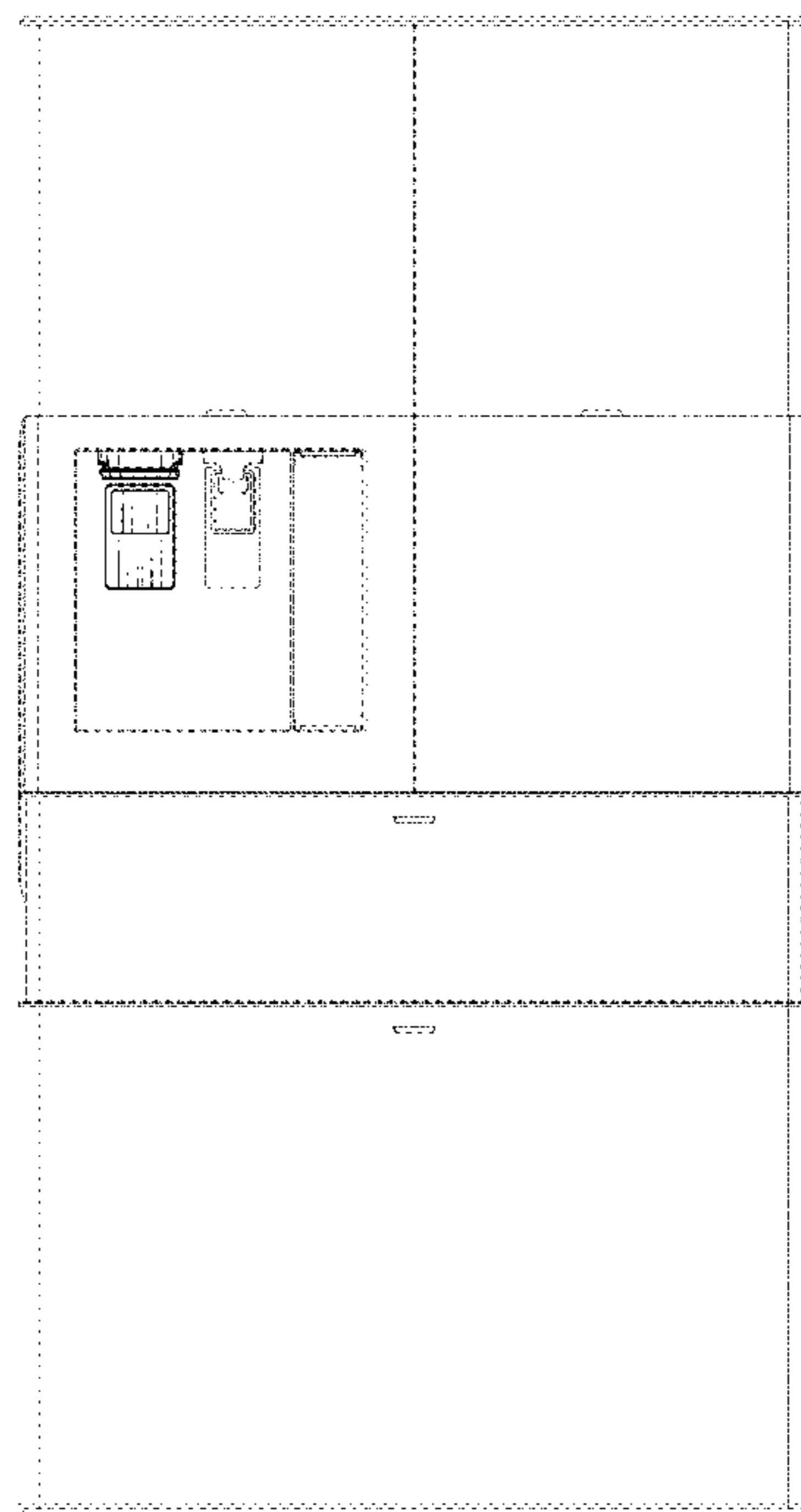


FIG. 1

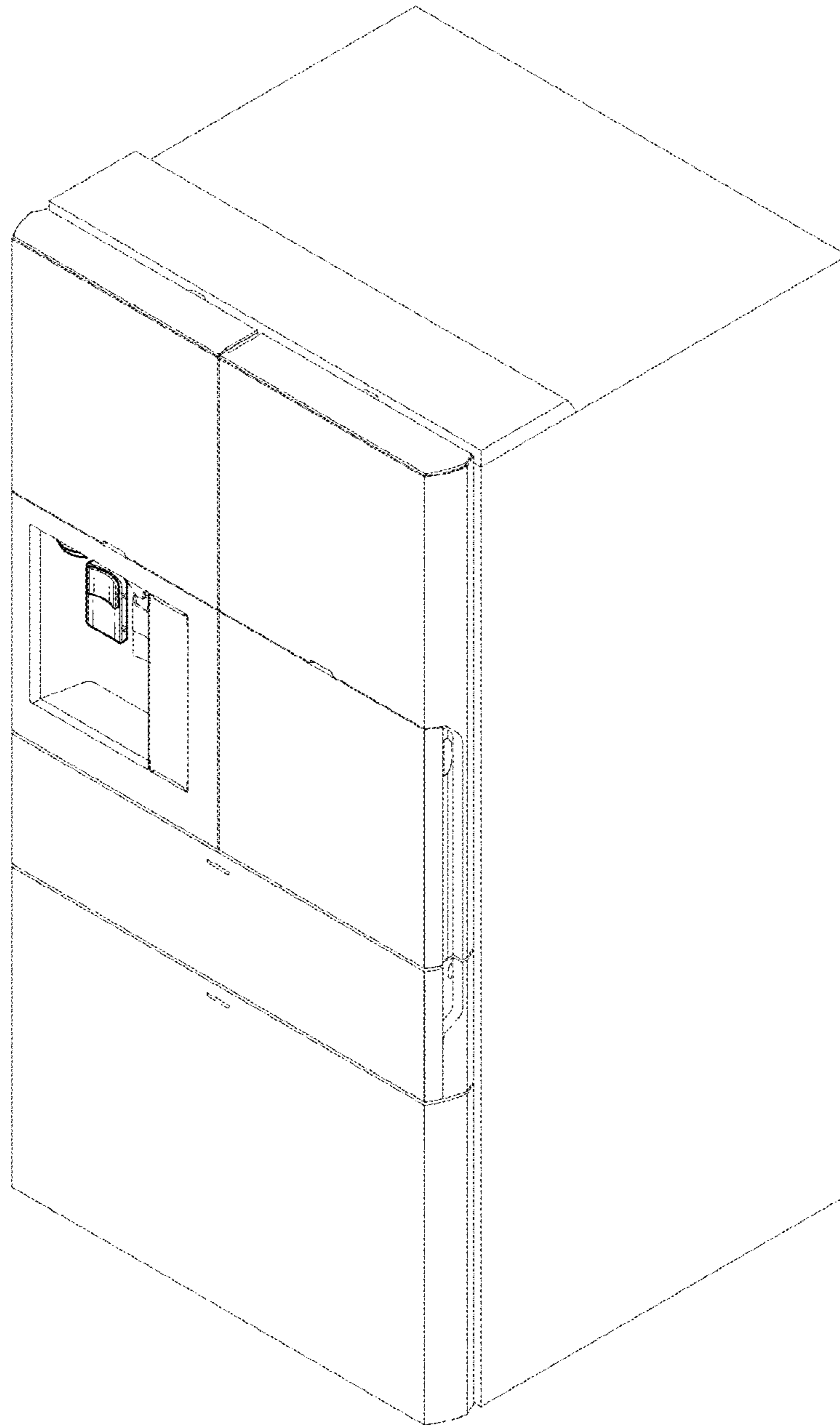


FIG. 2

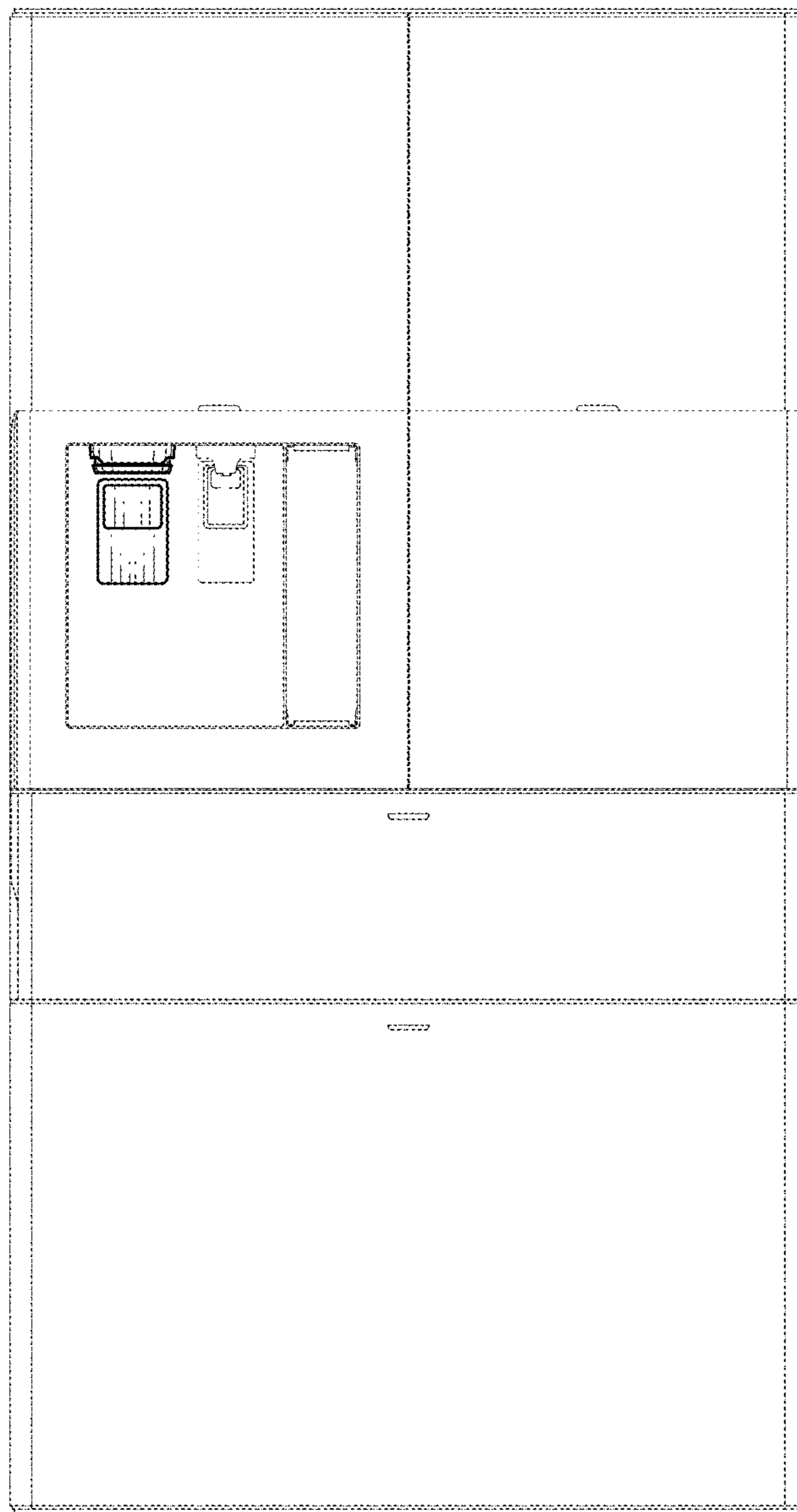


FIG. 3



FIG. 4

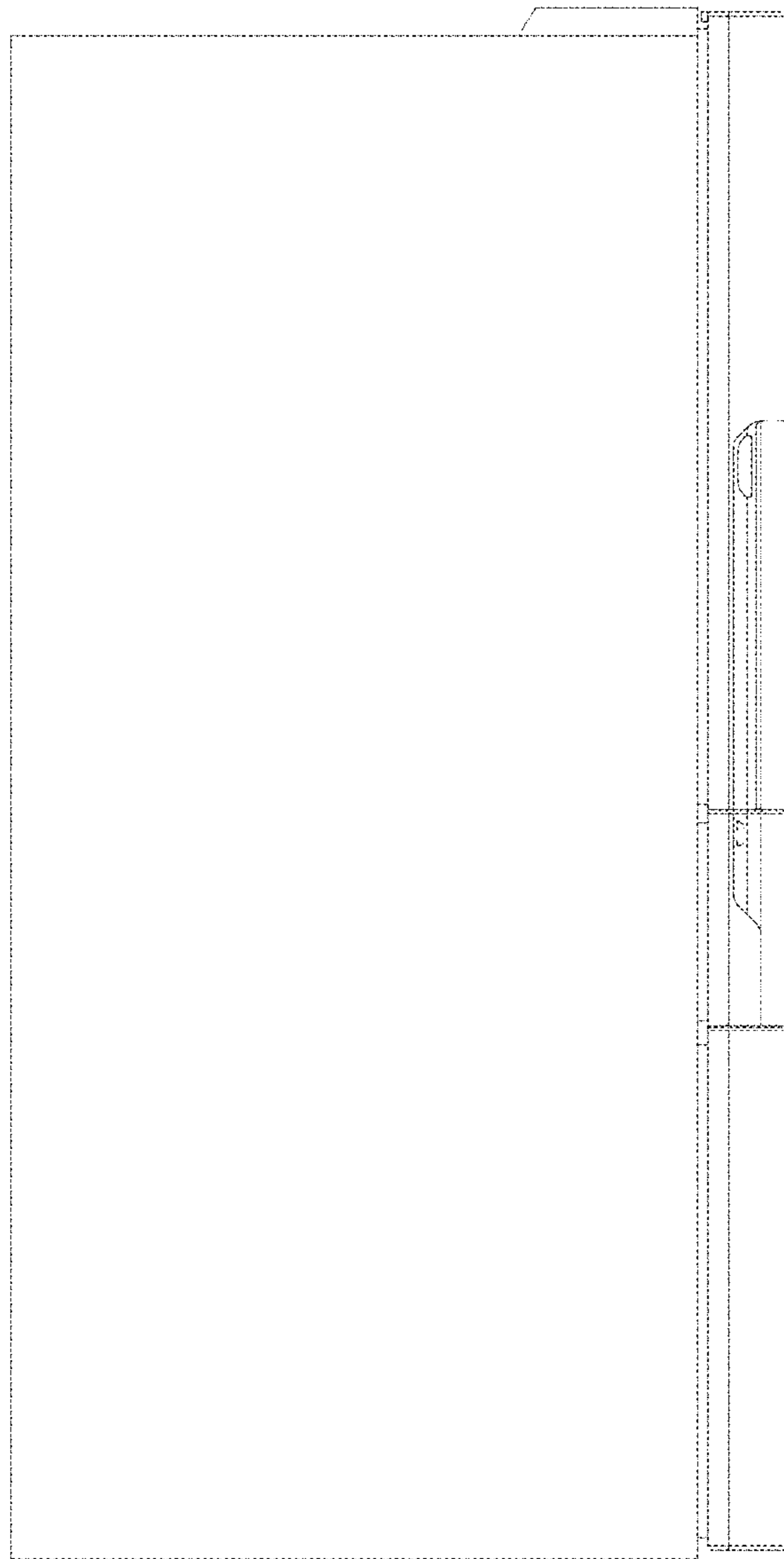


FIG. 5

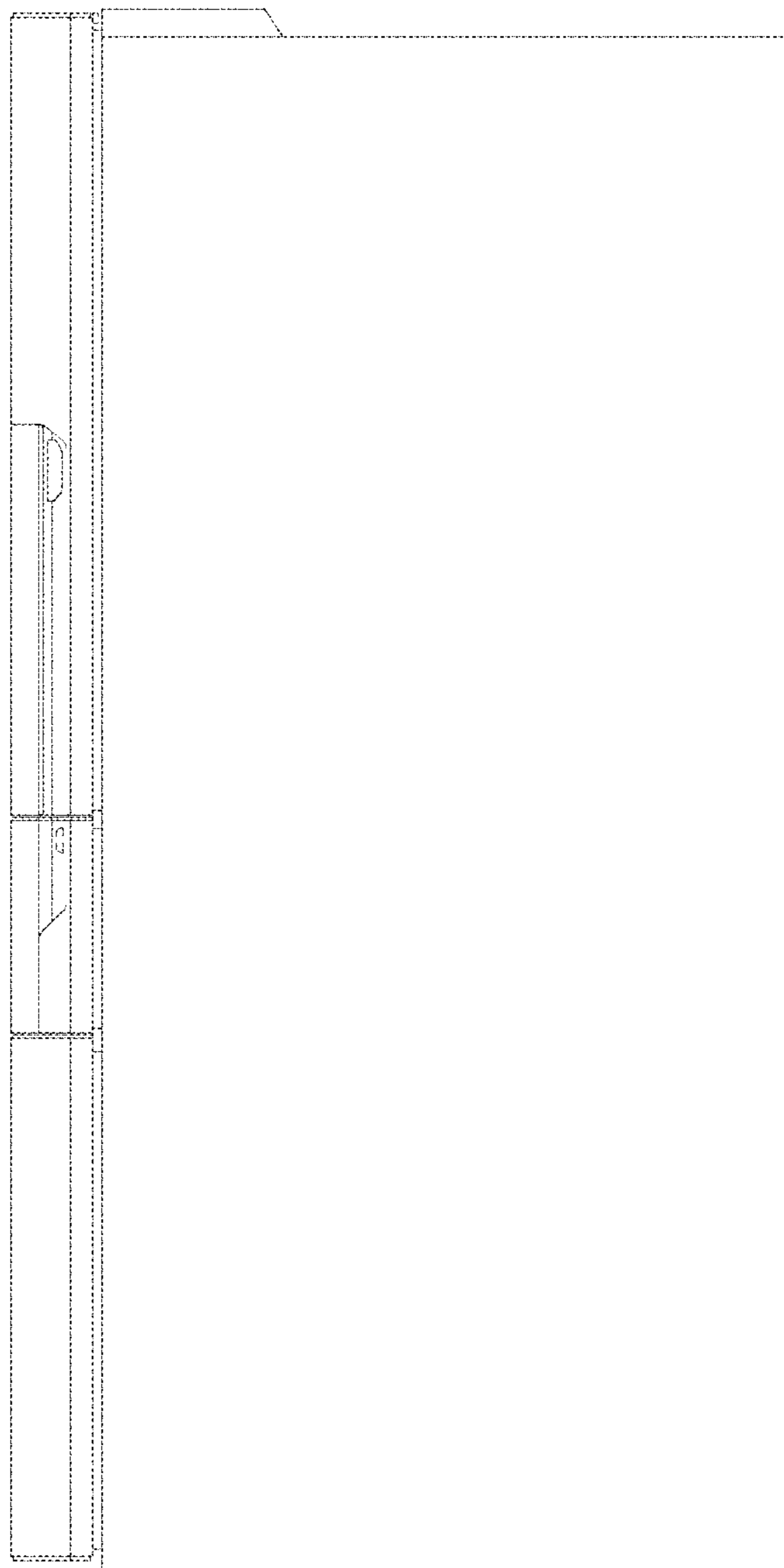


FIG. 6

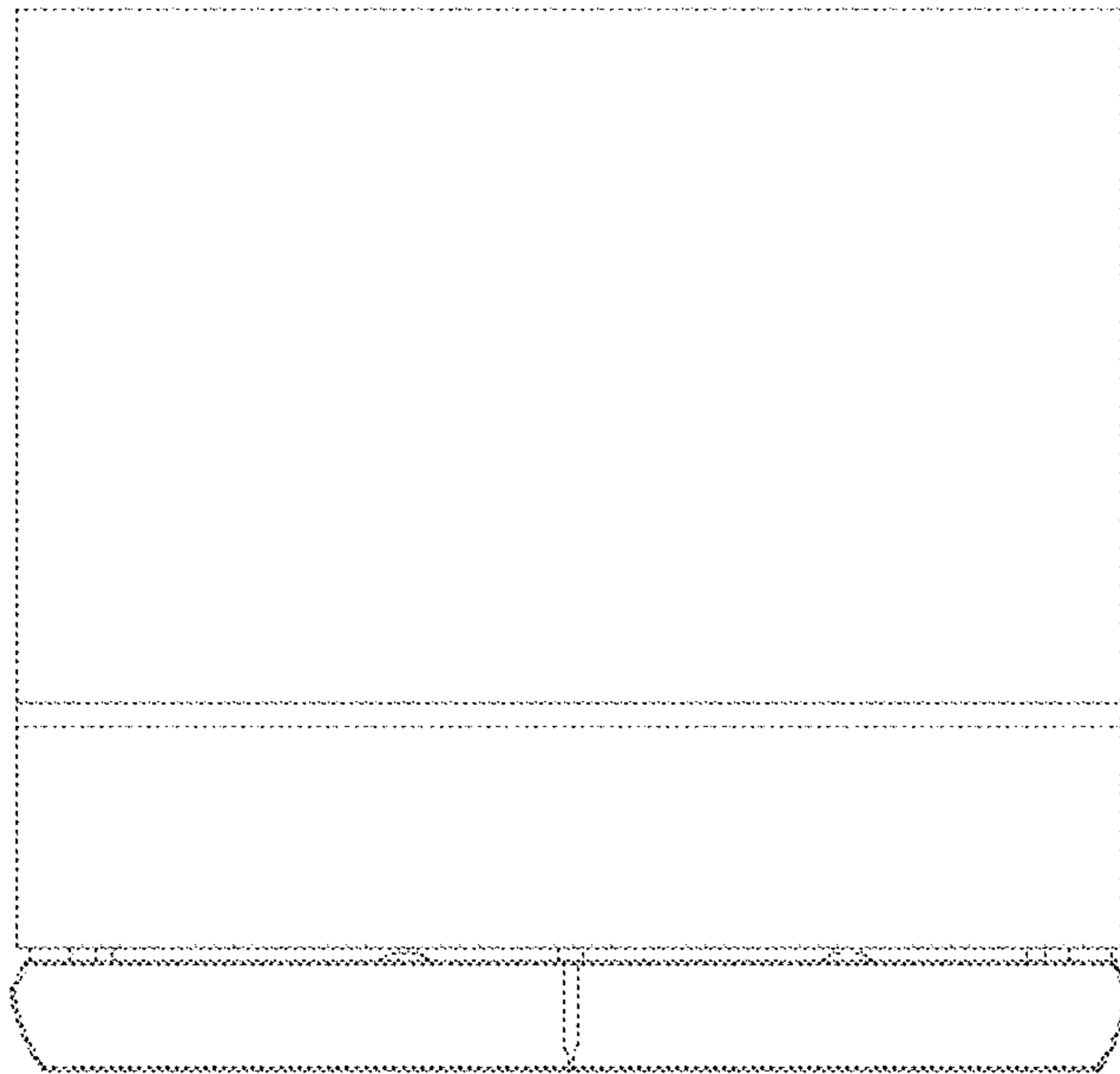


FIG. 7

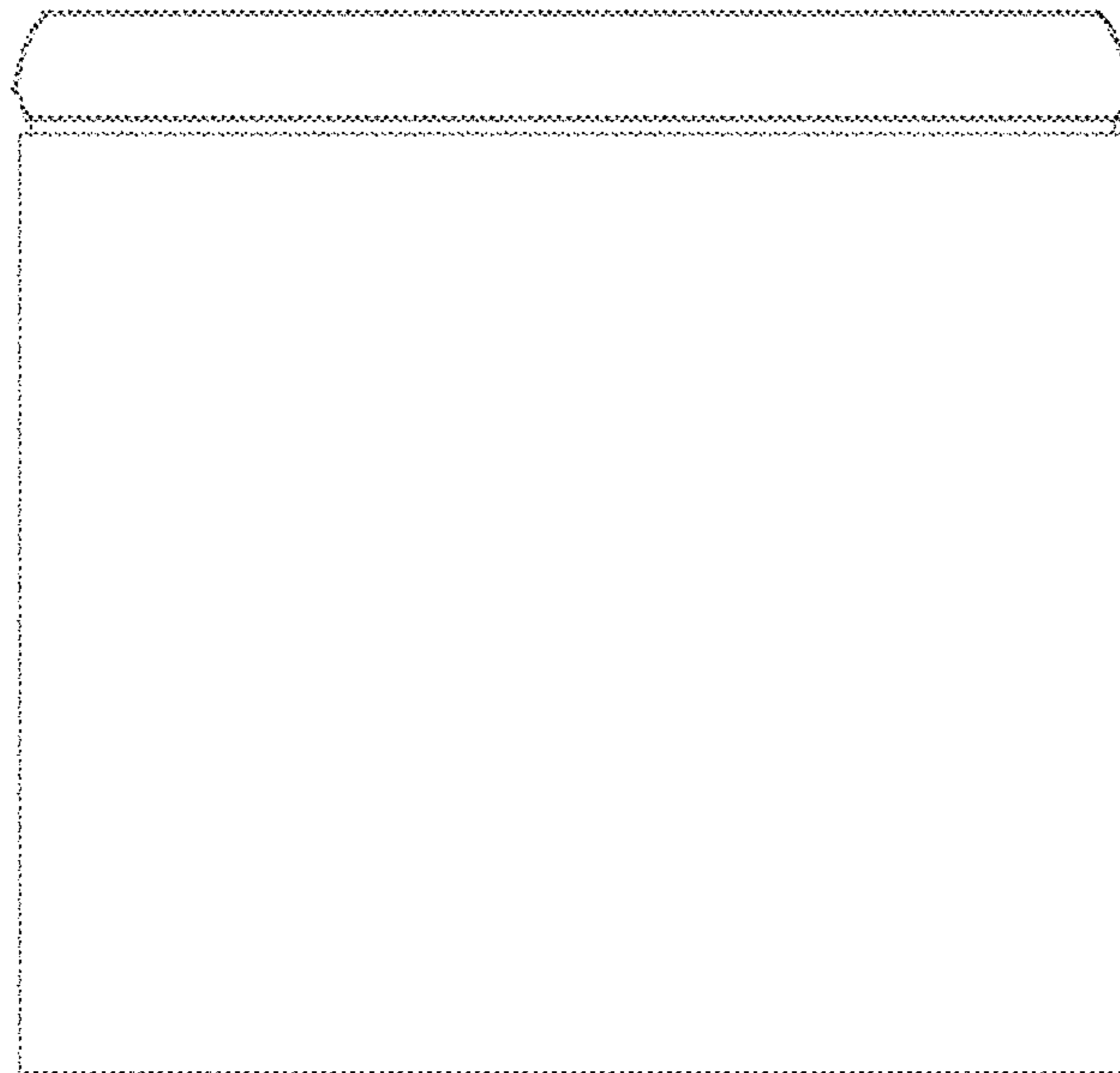


FIG. 8

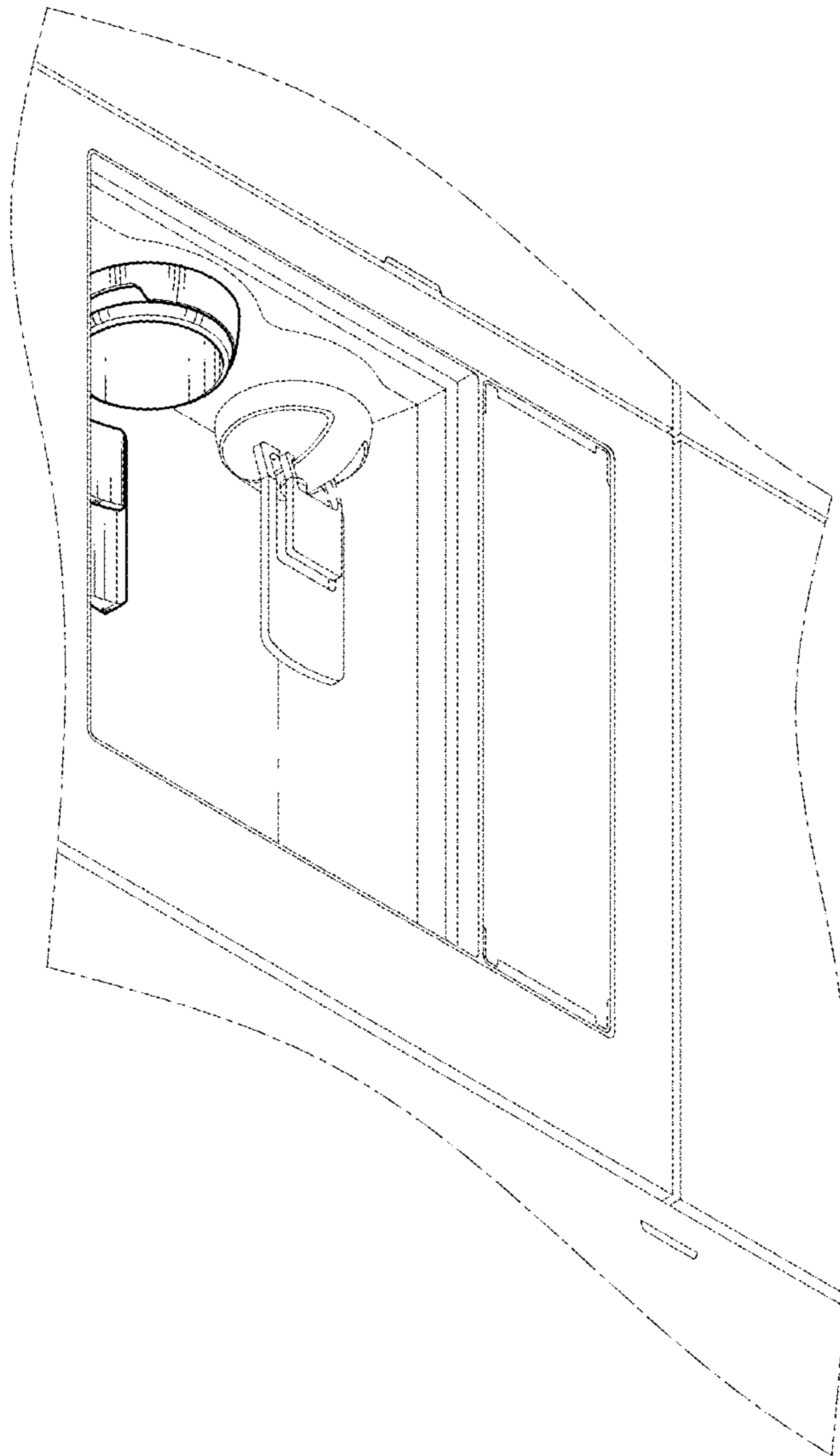


FIG. 9

