



US00D714362S

(12) **United States Design Patent**
You et al.

(10) **Patent No.:** **US D714,362 S**
(45) **Date of Patent:** **** Sep. 30, 2014**

(54) **REFRIGERATOR**

(71) Applicant: **LG Electronics Inc.**, Seoul (KR)
(72) Inventors: **Myungdong You**, Incheon (KR);
Hyungki Kim, Seoul (KR); **Junyi Heo**,
Jeollabuk-do (KR)
(73) Assignee: **LG Electronics Inc.**, Seoul (KR)

(**) Term: **14 Years**

(21) Appl. No.: **29/458,973**

(22) Filed: **Jun. 25, 2013**

(30) **Foreign Application Priority Data**

Dec. 26, 2012 (KR) 30-2012-0062316

(51) **LOC (10) Cl.** **15-07**

(52) **U.S. Cl.**
USPC **D15/86**

(58) **Field of Classification Search**
USPC D15/79-90; 62/3.6, 3.63, 3.64, 293,
62/331, 371, 440-405, 467; 312/114-119,
312/236, 400-408, 138.1, 139.1

See application file for complete search history.

(56) **References Cited**

U.S. PATENT DOCUMENTS

D614,208	S	*	4/2010	Seo et al.	D15/86
D630,232	S	*	1/2011	Seo et al.	D15/85
D639,316	S	*	6/2011	Roberson et al.	D15/86
D657,402	S	*	4/2012	Hwang et al.	D15/86
D657,403	S	*	4/2012	Hwang et al.	D15/86
D684,610	S	*	6/2013	Seo et al.	D15/86
D696,700	S	*	12/2013	Seo et al.	D15/86

* cited by examiner

Primary Examiner — Thomas Johannes

Assistant Examiner — Khawaja Anwar

(74) *Attorney, Agent, or Firm* — Morgan, Lewis & Bockius LLP

(57) **CLAIM**

The ornamental design for a refrigerator, as shown and described.

DESCRIPTION

FIG. 1 is a front, right side, perspective view of a refrigerator showing our new design;

FIG. 2 is a front view thereof;

FIG. 3 is a left side view thereof;

FIG. 4 is a right side view thereof;

FIG. 5 is a top view thereof; and,

FIG. 6 is a bottom view thereof.

1 Claim, 5 Drawing Sheets

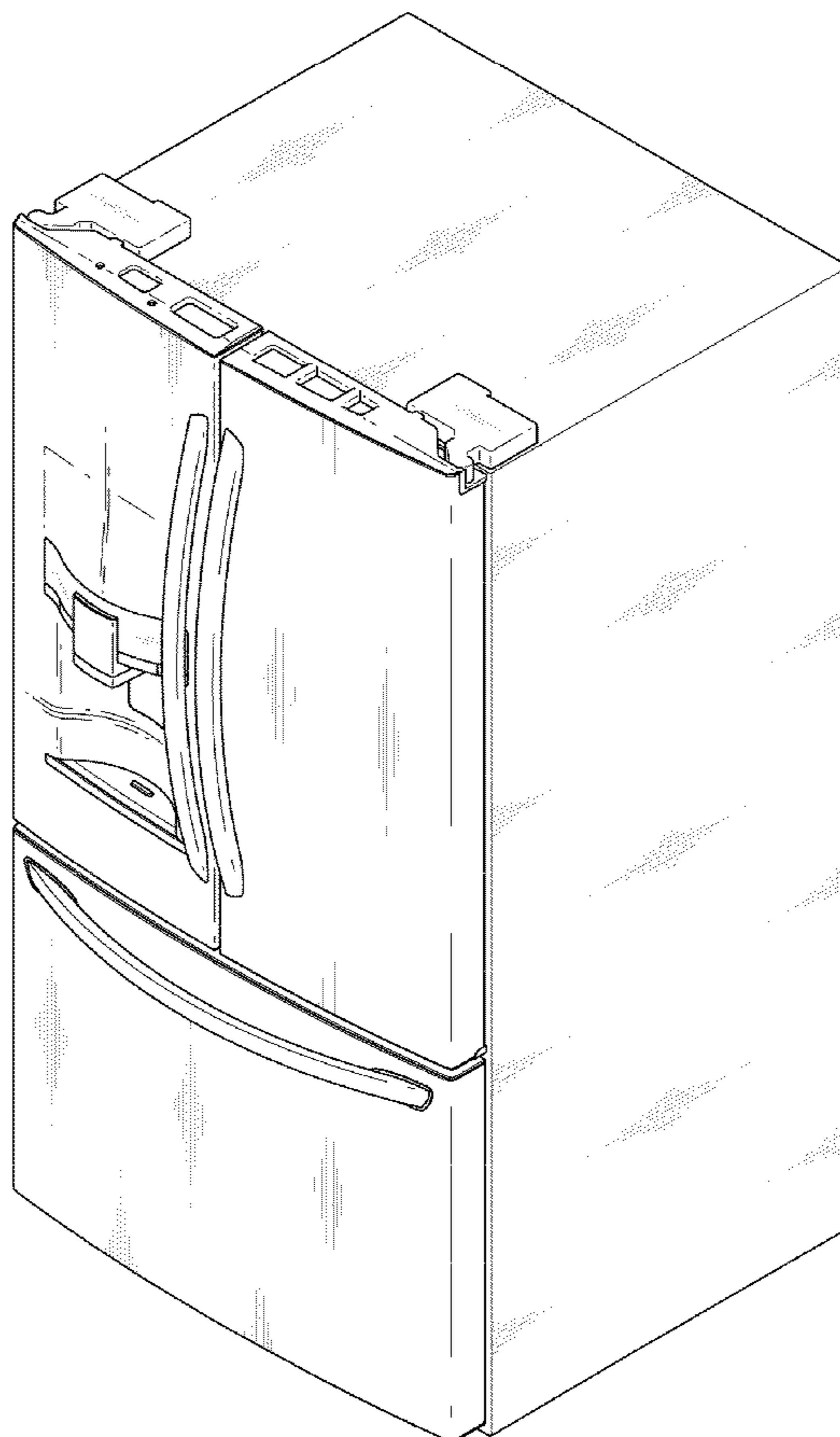


FIG. 1

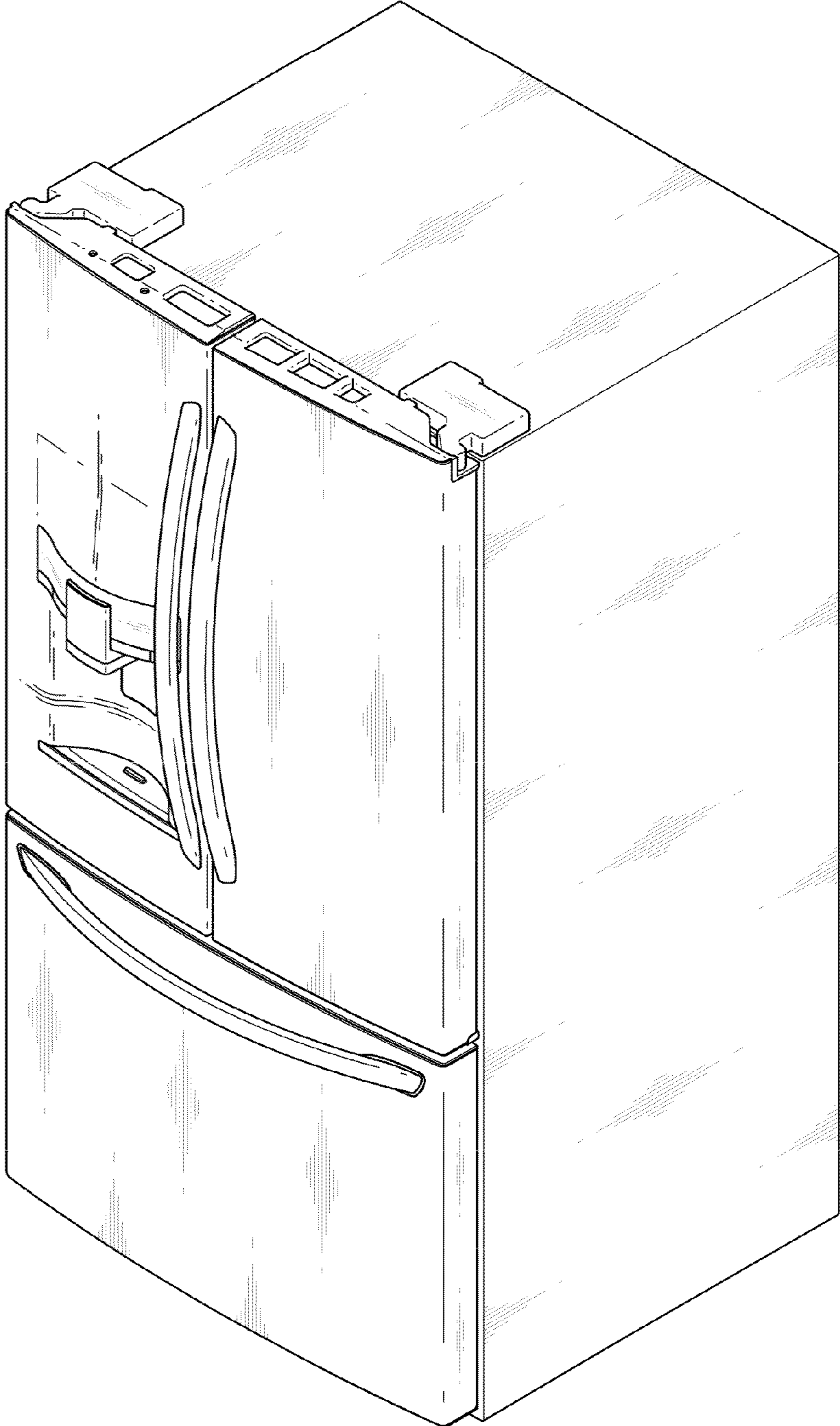


FIG. 2

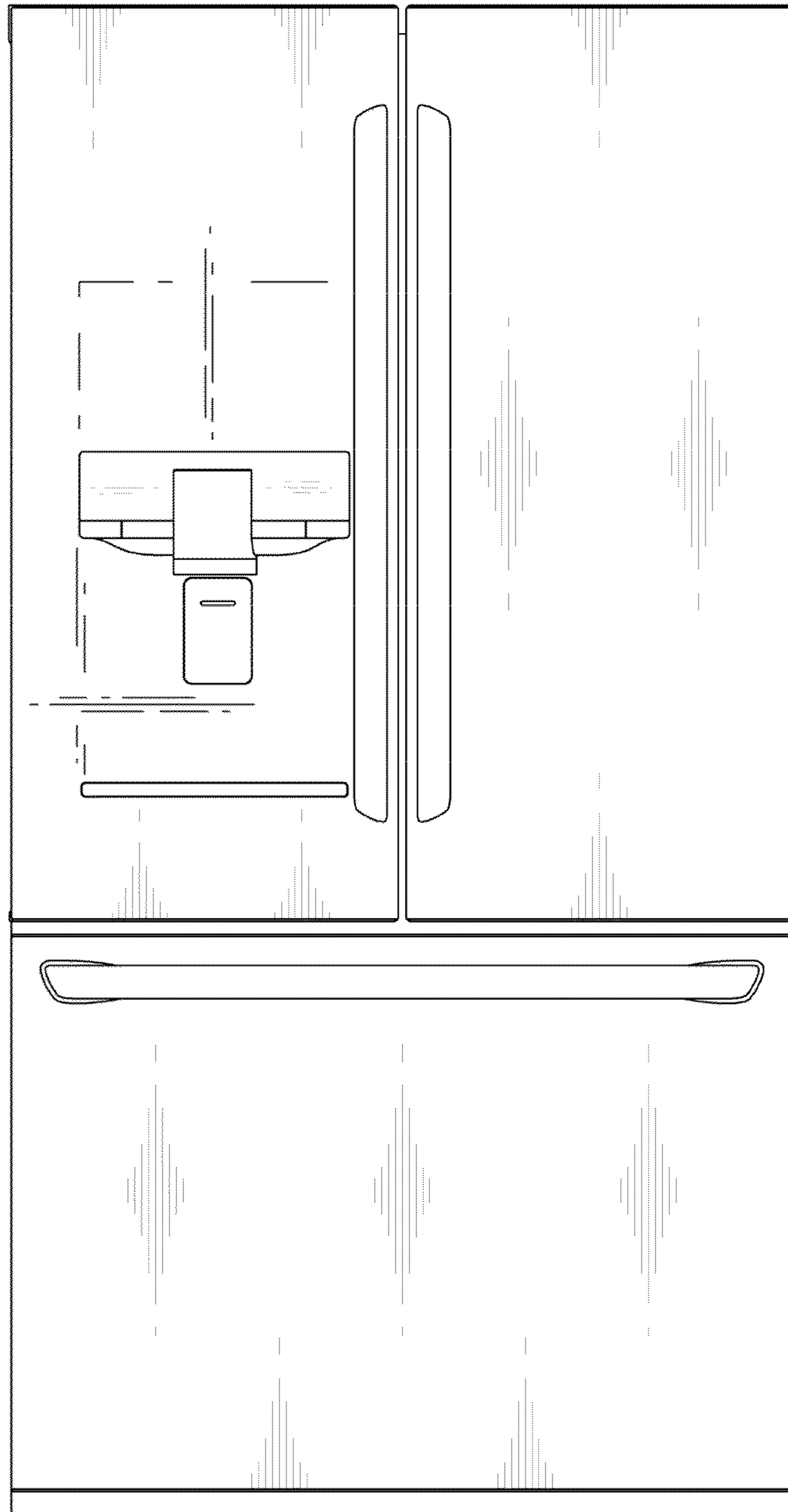


FIG. 3

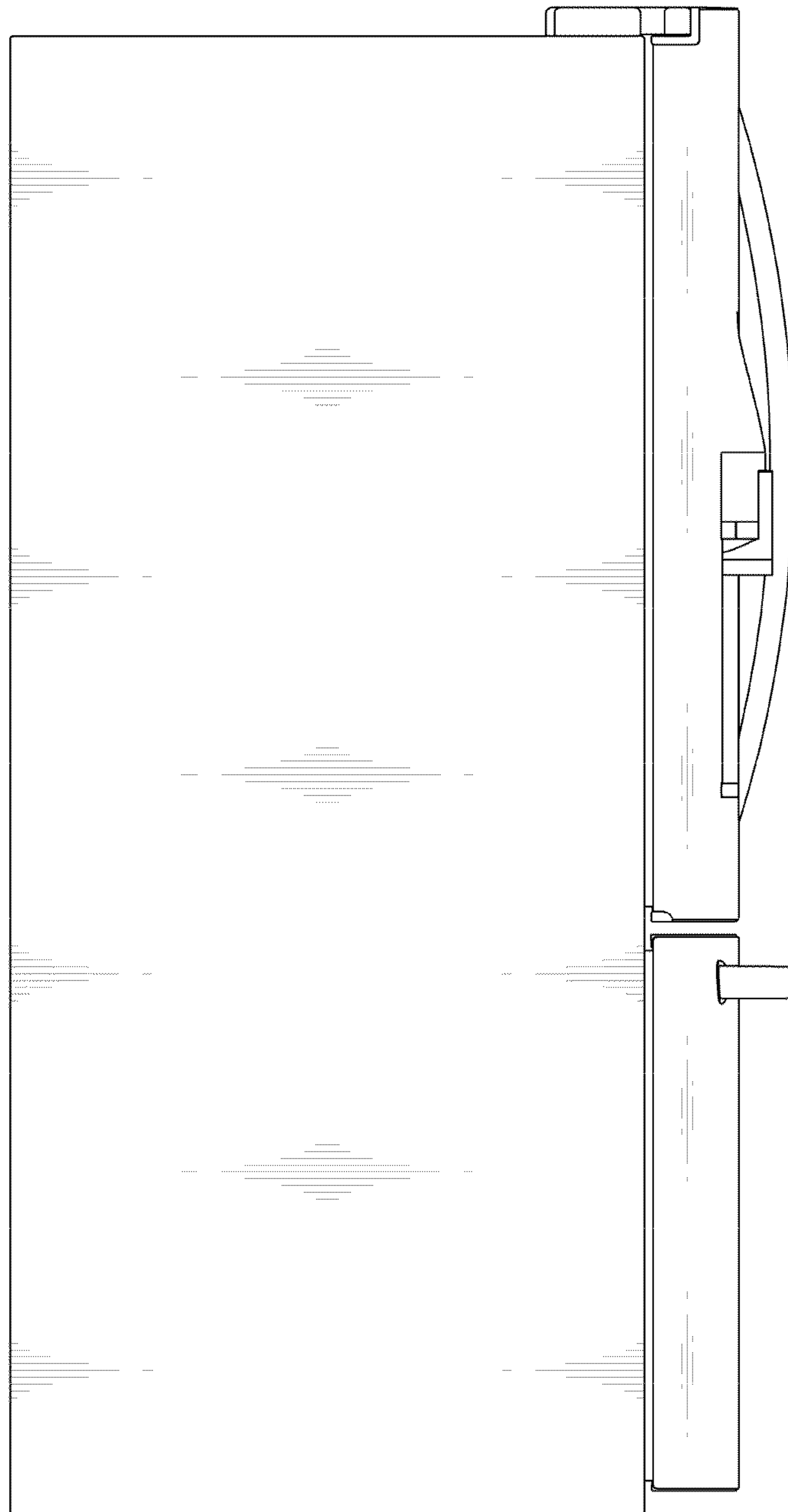


FIG. 4

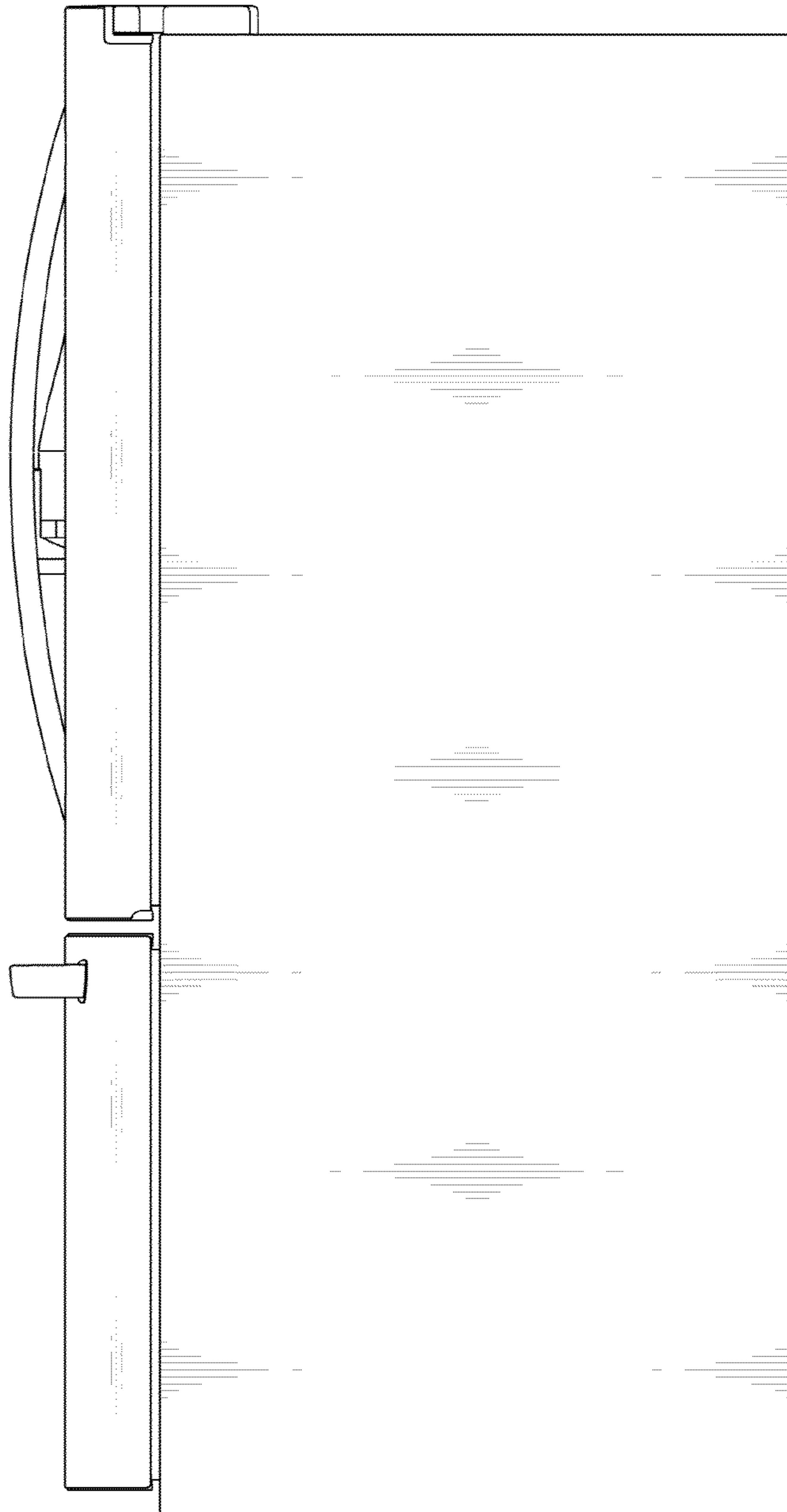


FIG. 5

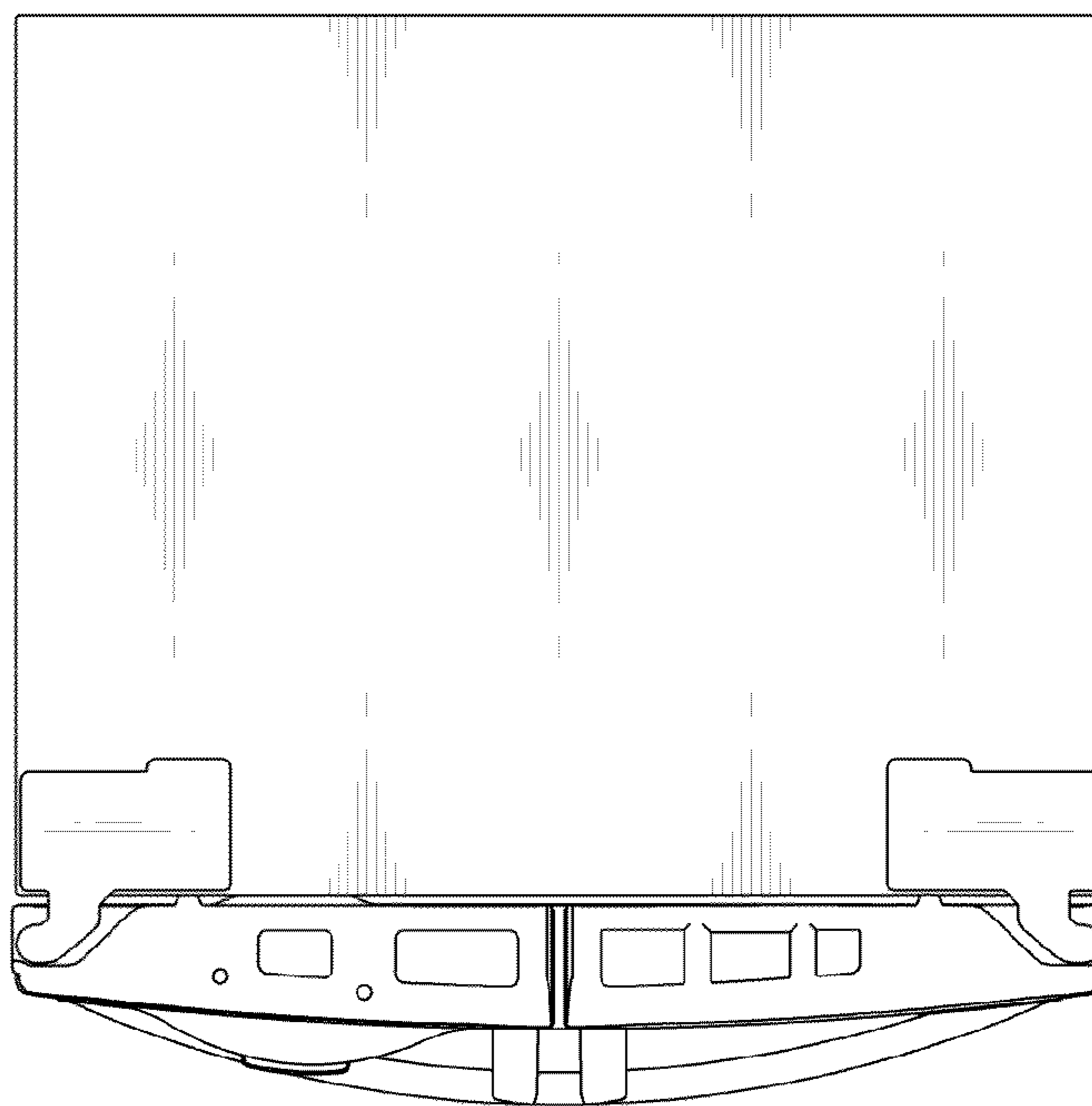


FIG. 6

