



US00D714360S

(12) **United States Design Patent**
Seo et al.

(10) **Patent No.:** **US D714,360 S**

(45) **Date of Patent:** **** Sep. 30, 2014**

(54) **REFRIGERATOR**

(71) Applicant: **LG Electronics Inc.**, Seoul (KR)

(72) Inventors: **Woonkyu Seo**, Seoul (KR); **Seonkyu Kim**, Seoul (KR); **Soomin Seo**, Seoul (KR); **Daesung Lee**, Gyeonggi-do (KR)

(73) Assignee: **LG Electronics Inc.**, Seoul (KR)

(**) Term: **14 Years**

(21) Appl. No.: **29/458,966**

(22) Filed: **Jun. 25, 2013**

(30) **Foreign Application Priority Data**

Dec. 26, 2012 (KR) 30-2012-0062318

(51) **LOC (10) Cl.** **15-07**

(52) **U.S. Cl.**
USPC **D15/85**

(58) **Field of Classification Search**
USPC D15/79-90; 62/3.6, 3.63, 3.64, 293,
62/331, 371, 440-445, 467; 312/114-119,
312/236, 400-408, 138.1, 139.1
See application file for complete search history.

(56) **References Cited**

U.S. PATENT DOCUMENTS

D629,021 S * 12/2010 Cho et al. D15/85
D658,215 S * 4/2012 Seo et al. D15/86
D672,375 S * 12/2012 Lee et al. D15/86

D674,414 S * 1/2013 Lee et al. D15/86
D674,415 S * 1/2013 Lee et al. D15/86
D674,418 S * 1/2013 Seo et al. D15/86
D678,922 S * 3/2013 Lee et al. D15/86
D680,138 S * 4/2013 Seo et al. D15/86
D681,695 S * 5/2013 Lee et al. D15/86
D684,609 S * 6/2013 Seo et al. D15/86
D692,033 S * 10/2013 Choi et al. D15/86
D700,222 S * 2/2014 Sin et al. D15/89

* cited by examiner

Primary Examiner — Thomas Johannes

Assistant Examiner — Khawaja Anwar

(74) *Attorney, Agent, or Firm* — Morgan, Lewis & Bockius LLP

(57) **CLAIM**

The ornamental design for a refrigerator, as shown and described.

DESCRIPTION

FIG. 1 is a front, right side, perspective view of a refrigerator showing our new design;
FIG. 2 is a front view thereof;
FIG. 3 is a rear view thereof;
FIG. 4 is a left side view thereof;
FIG. 5 is a right side view thereof;
FIG. 6 is a top view thereof; and,
FIG. 7 is a bottom view thereof.

1 Claim, 6 Drawing Sheets

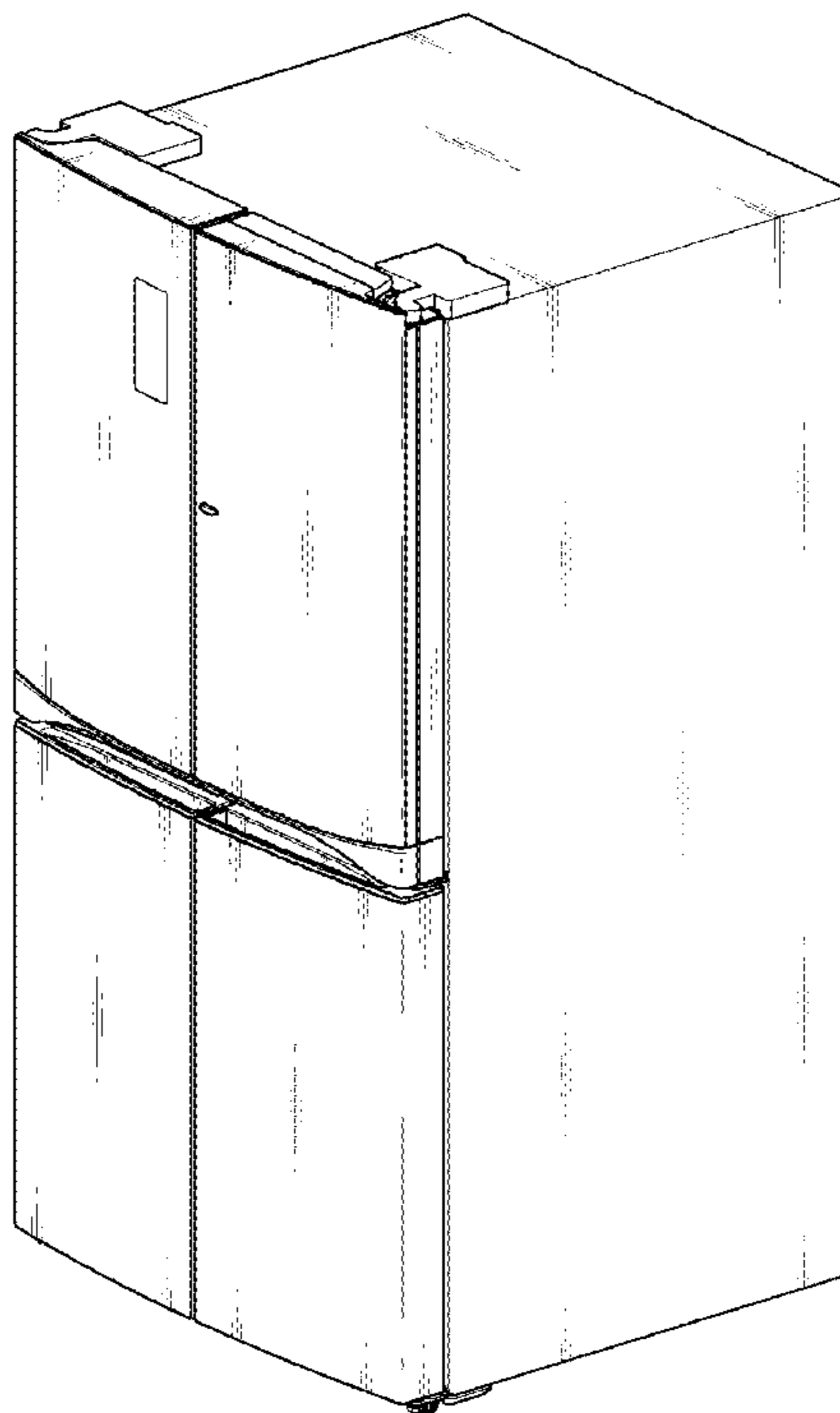


FIG. 1

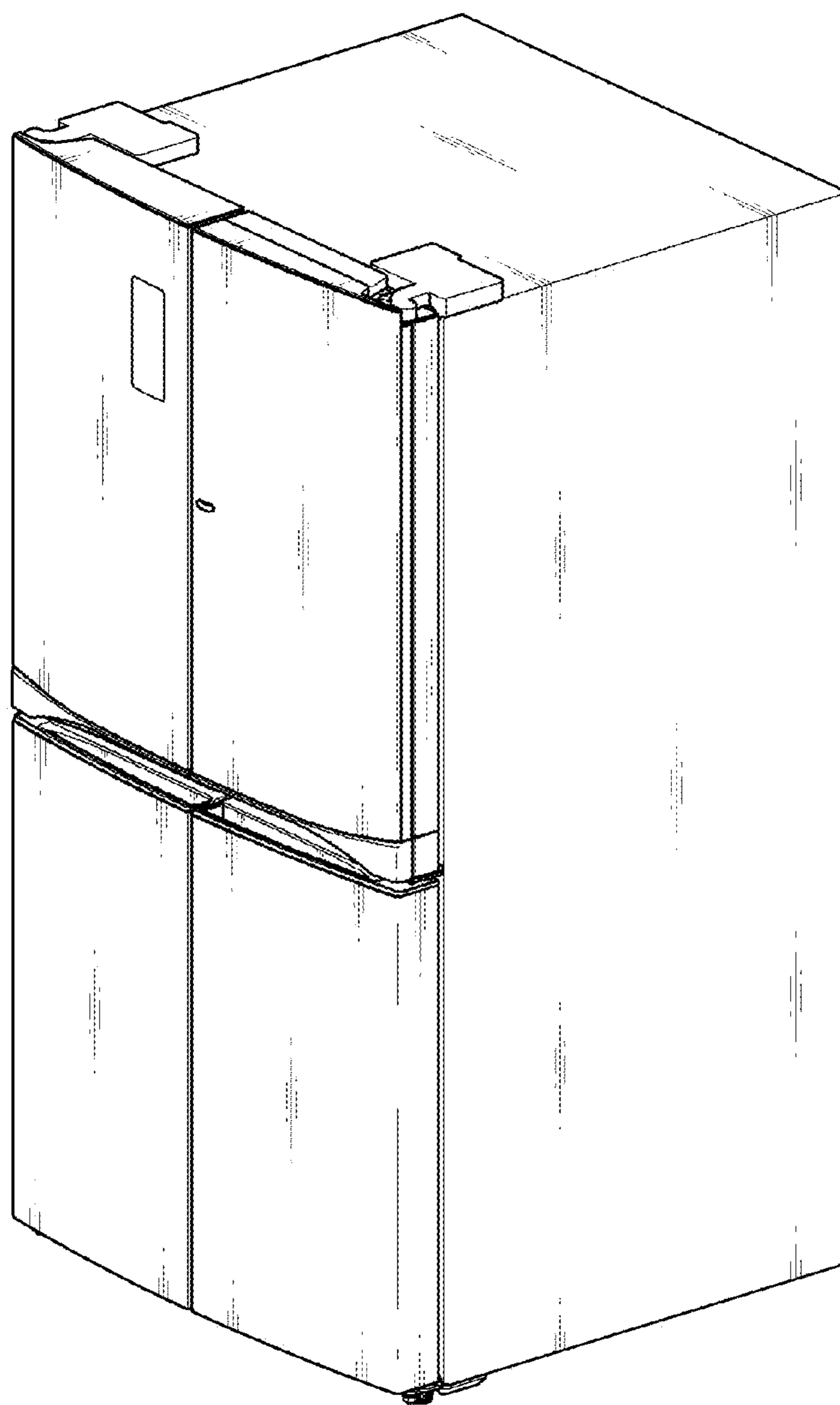


FIG. 2

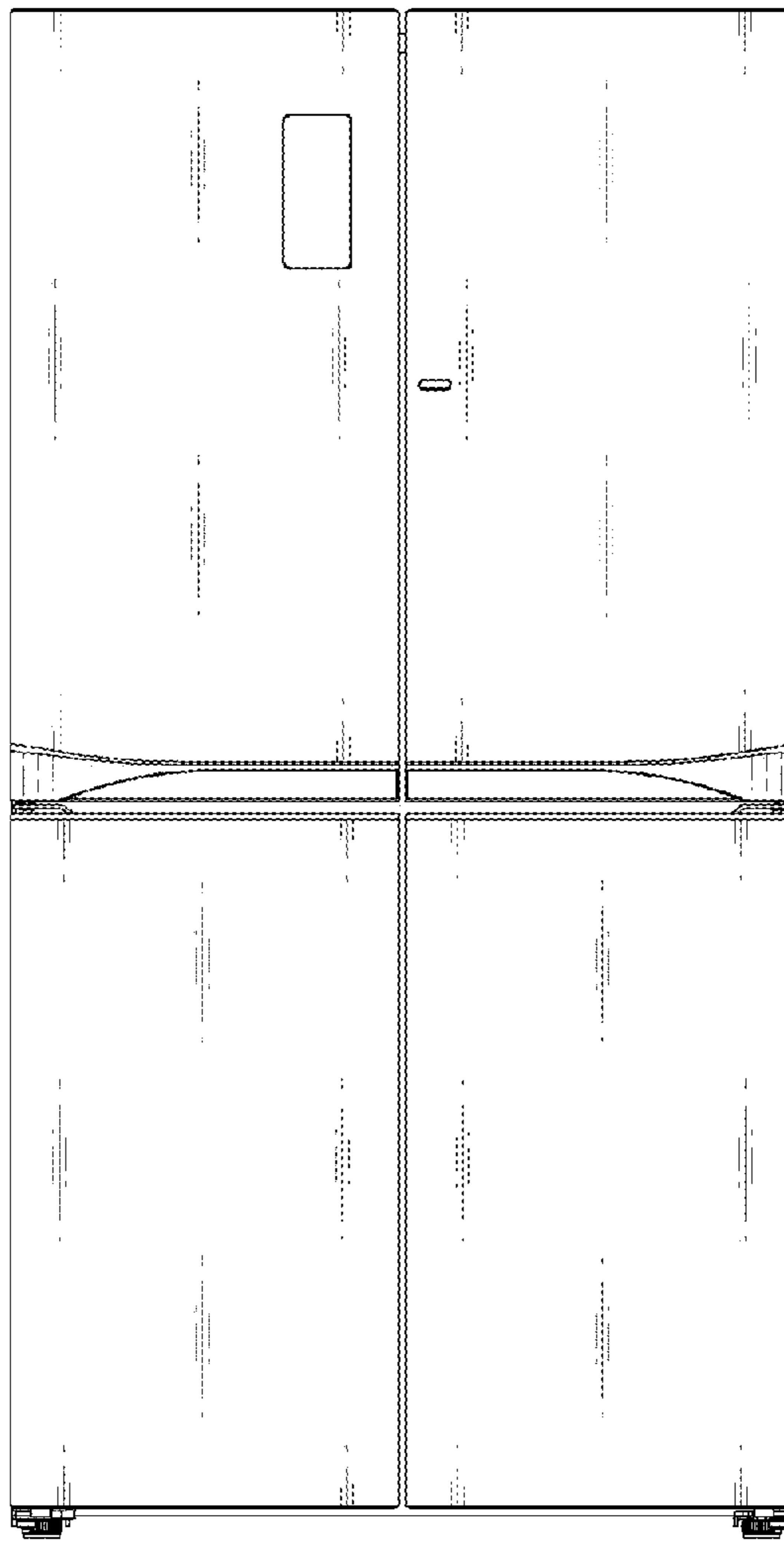


FIG. 3

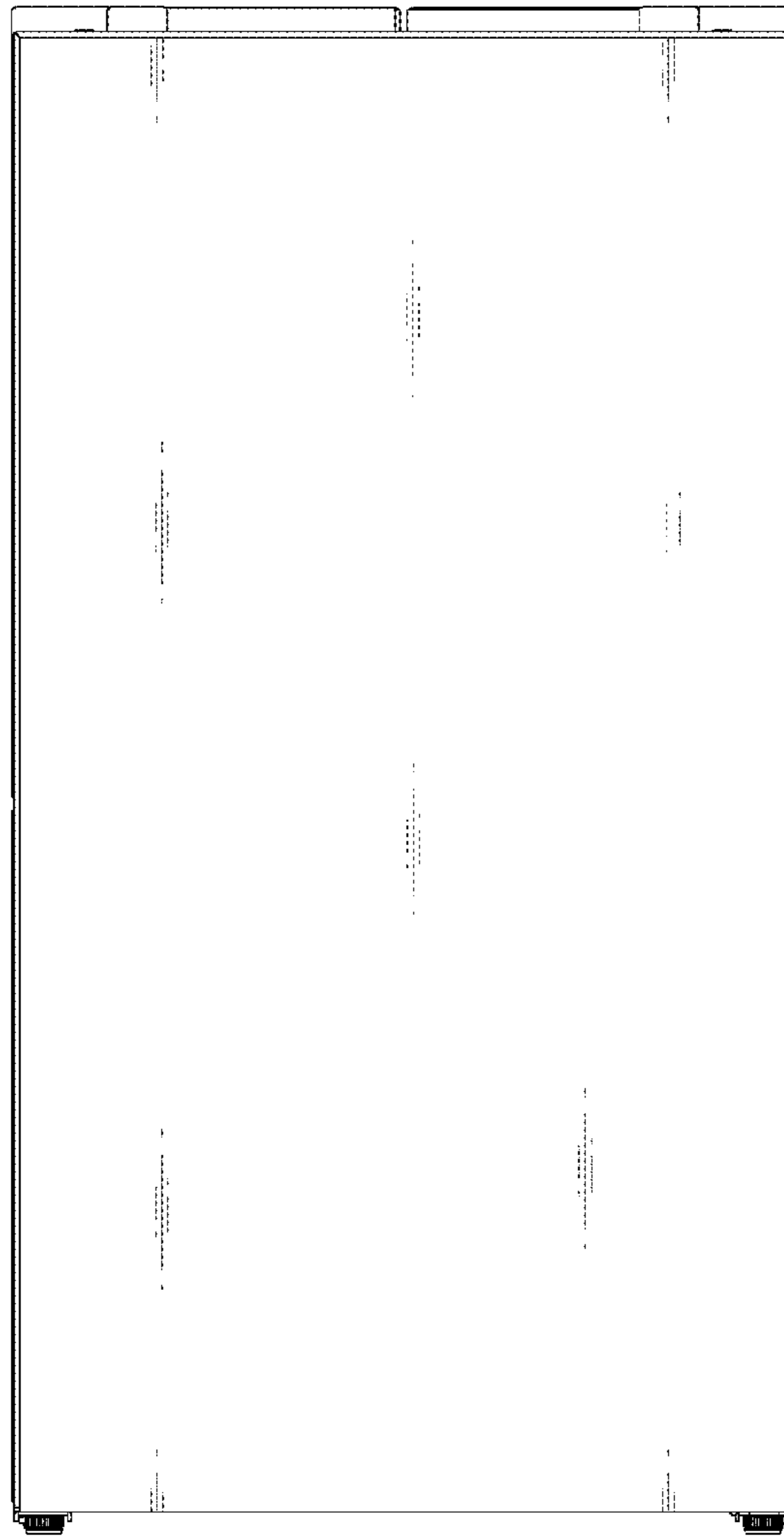


FIG. 4

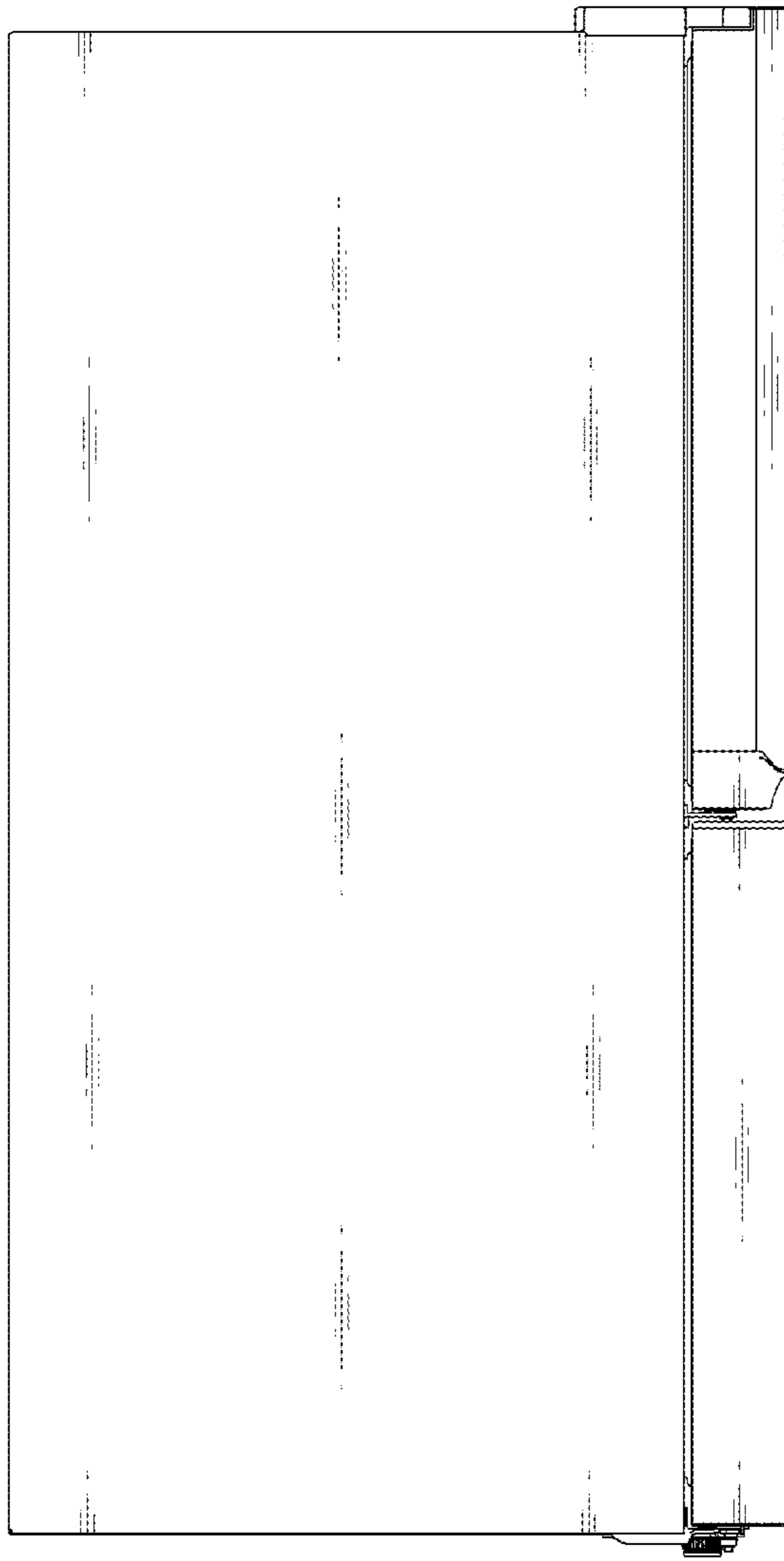


FIG. 5

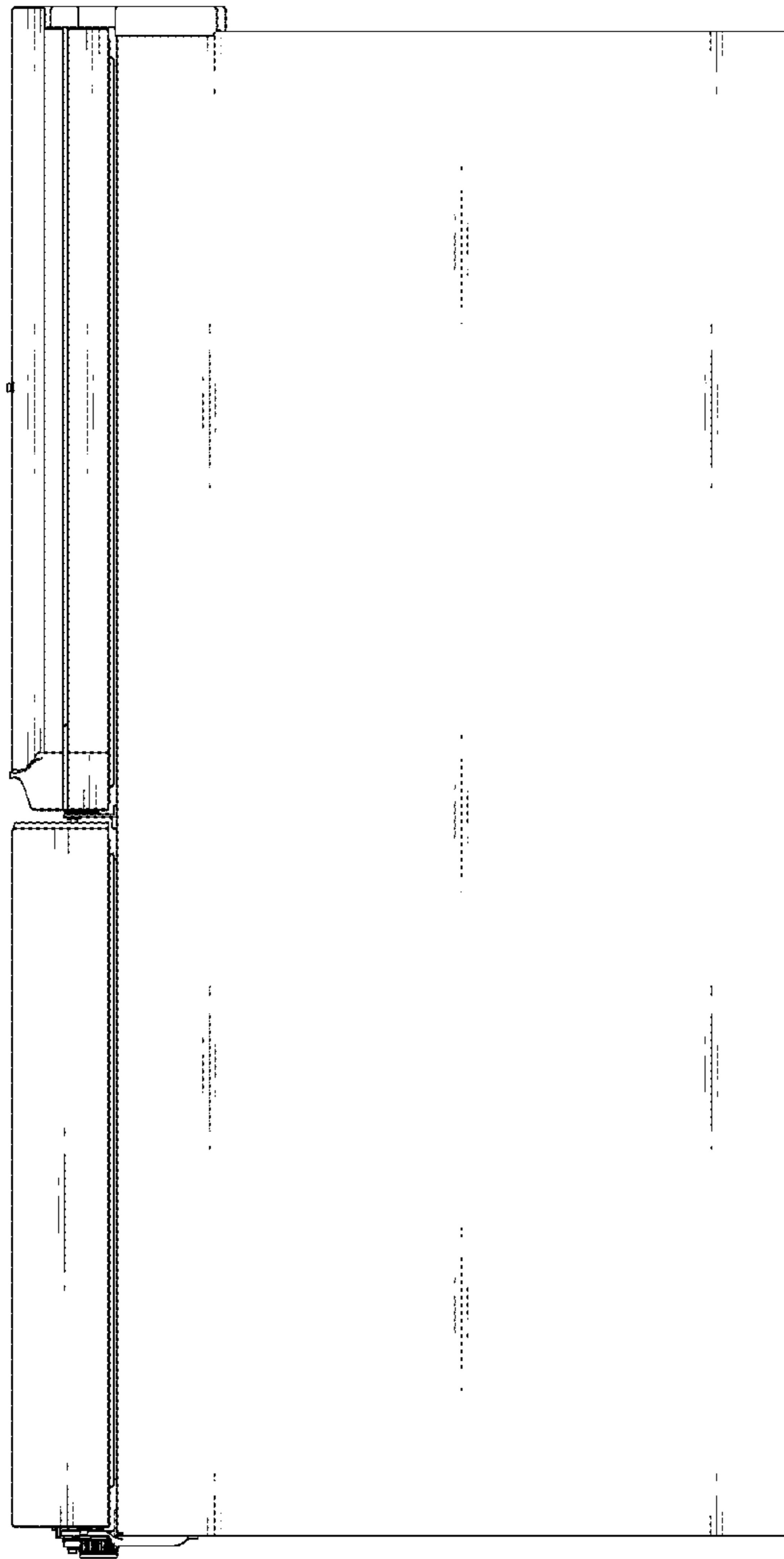


FIG. 6

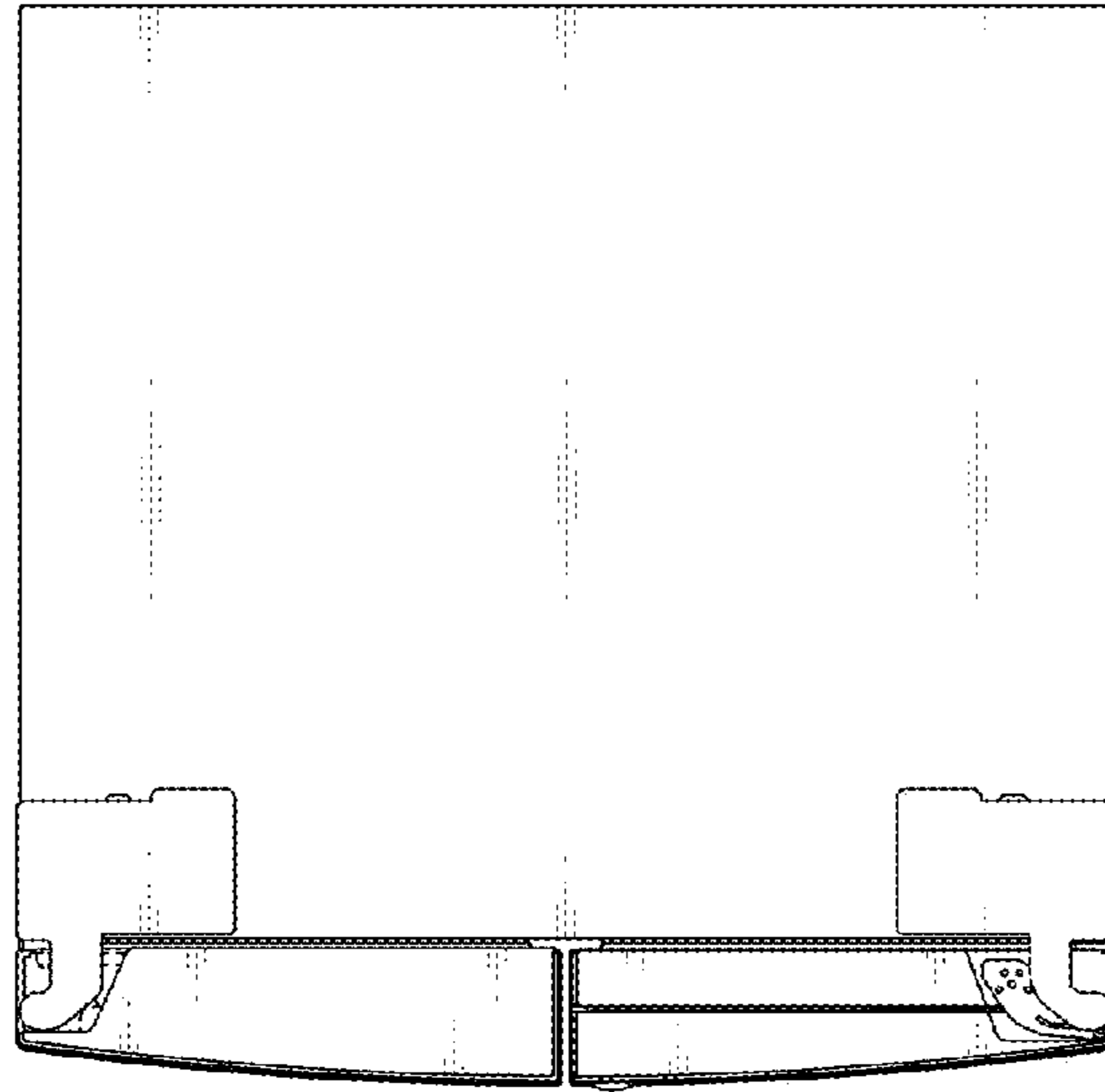


FIG. 7

