



US00D714359S

(12) **United States Design Patent**  
**Kim**

(10) **Patent No.:** **US D714,359 S**

(45) **Date of Patent:** **\*\* Sep. 30, 2014**

(54) **REFRIGERATOR**

(71) Applicant: **WiniaMando Inc.**, Asan-si (KR)

(72) Inventor: **Hyoung Woo Kim**, Seoul (KR)

(73) Assignee: **WiniaMando Inc.**, Asan-Si,  
Chungcheongnam-Do (KR)

(\*\*) Term: **14 Years**

(21) Appl. No.: **29/456,330**

(22) Filed: **May 30, 2013**

(30) **Foreign Application Priority Data**

Nov. 30, 2012 (KR) ..... 30-2012-0057722

(51) **LOC (10) Cl.** ..... **15-07**

(52) **U.S. Cl.**  
USPC ..... **D15/85**

(58) **Field of Classification Search**  
USPC ..... D15/79-90; 62/3.6, 3.63, 3.64, 293,  
62/331, 371, 440-445, 467; 312/114-119,  
312/236, 400-408, 138.1, 139.1  
See application file for complete search history.

(56) **References Cited**

**U.S. PATENT DOCUMENTS**

D601,595 S \* 10/2009 Yoon et al. .... D15/85  
D629,022 S \* 12/2010 Cho et al. .... D15/85

D647,544 S \* 10/2011 Kristiansen et al. .... D15/86  
D671,571 S \* 11/2012 Shim et al. .... D15/85  
D680,138 S \* 4/2013 Seo et al. .... D15/86  
D681,074 S \* 4/2013 Shim et al. .... D15/85  
D681,075 S \* 4/2013 Yi et al. .... D15/86  
D681,695 S \* 5/2013 Lee et al. .... D15/86  
D684,609 S \* 6/2013 Seo et al. .... D15/86  
D686,644 S \* 7/2013 Lee et al. .... D15/86  
D700,222 S \* 2/2014 Sin et al. .... D15/89  
D702,739 S \* 4/2014 Kim ..... D15/86

\* cited by examiner

*Primary Examiner* — Thomas Johannes

*Assistant Examiner* — Khawaja Anwar

(74) *Attorney, Agent, or Firm* — Lowe Hauptman & Ham,  
LLP

(57) **CLAIM**

The ornamental design for a refrigerator, as shown and described.

**DESCRIPTION**

FIG. 1 is a perspective view of a refrigerator showing my new design;  
FIG. 2 is a front elevational view thereof;  
FIG. 3 is a rear elevational view thereof;  
FIG. 4 is a left side view thereof;  
FIG. 5 is right side view thereof;  
FIG. 6 is a top plane view thereof; and,  
FIG. 7 is a bottom view thereof.

**1 Claim, 6 Drawing Sheets**

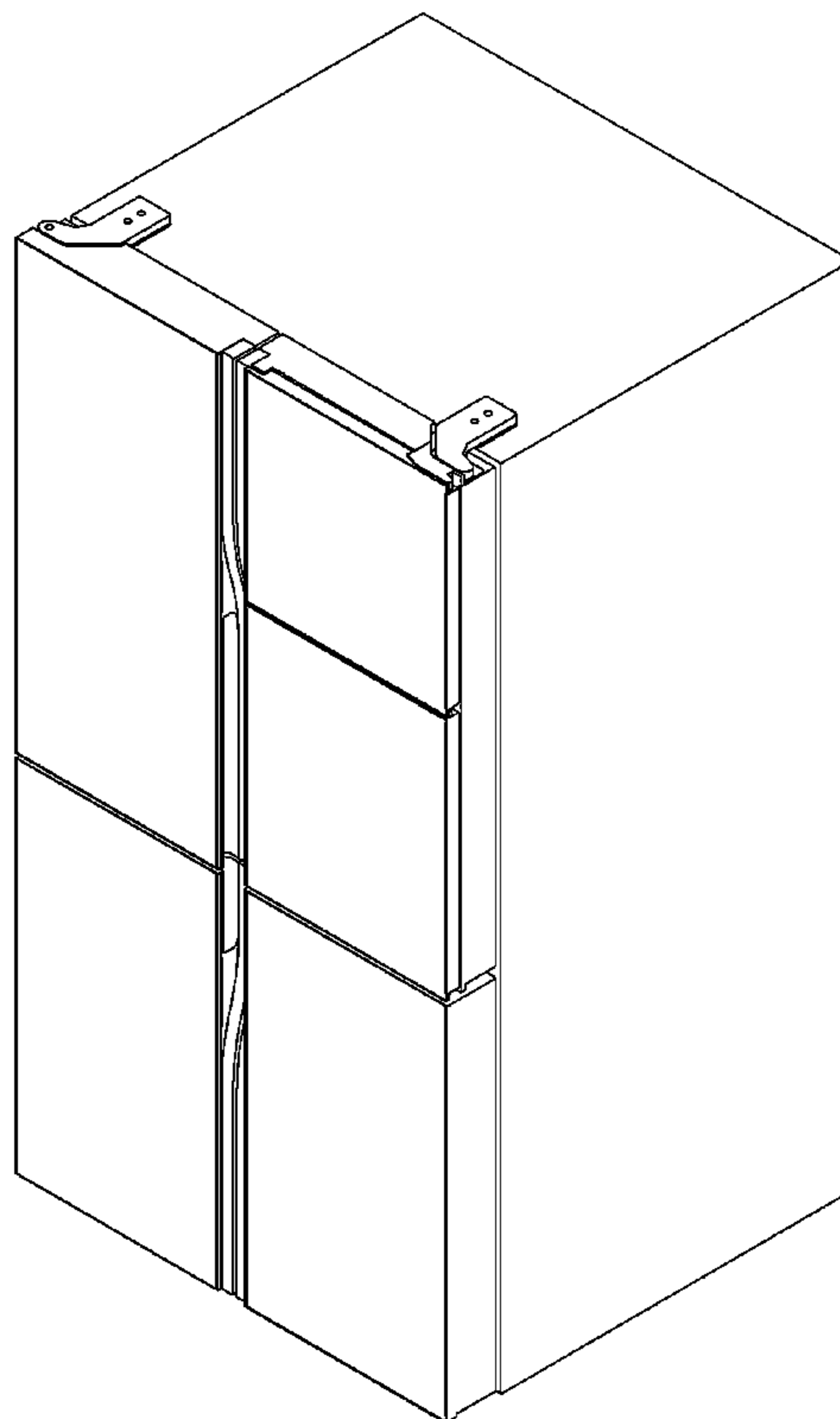


FIG. 1

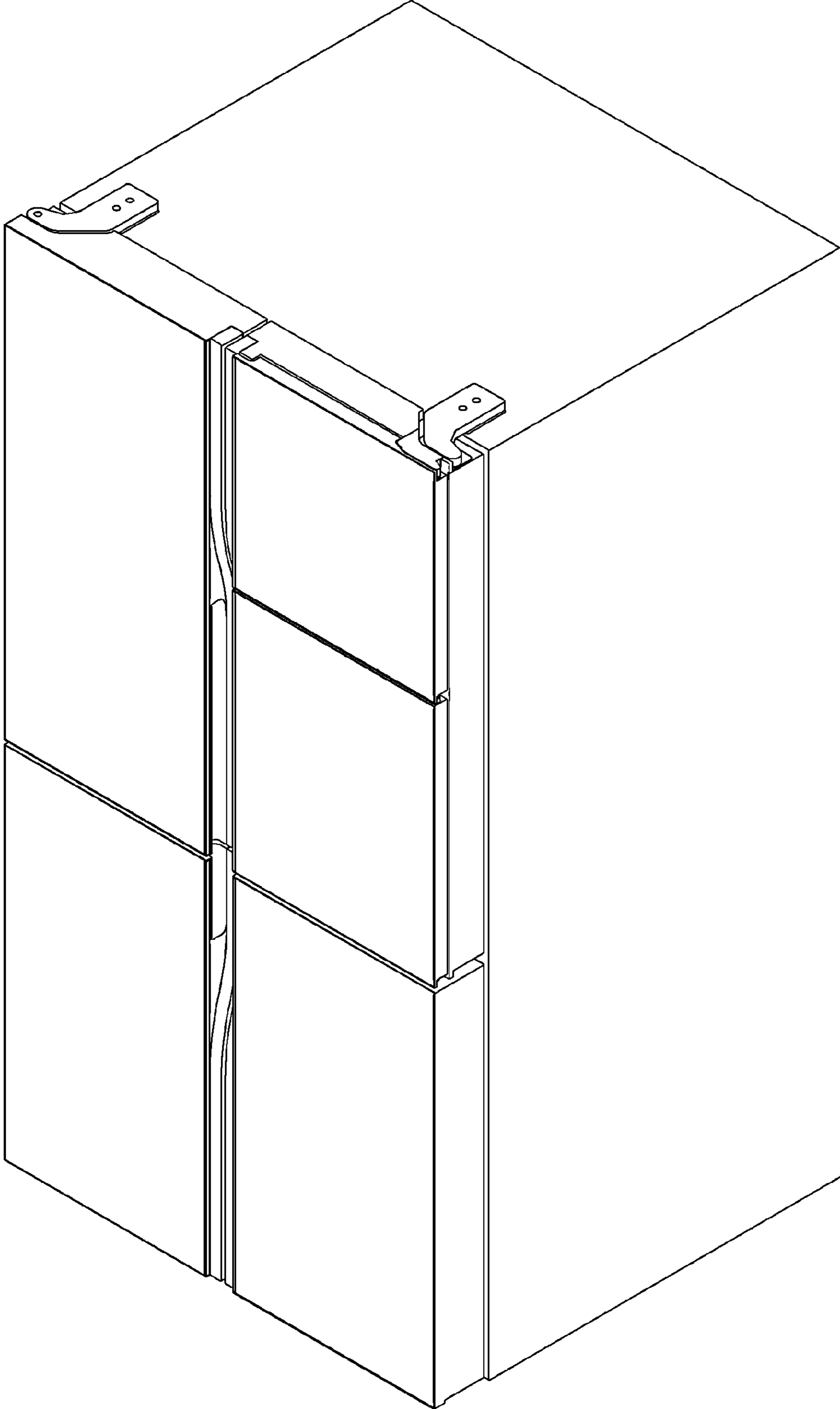
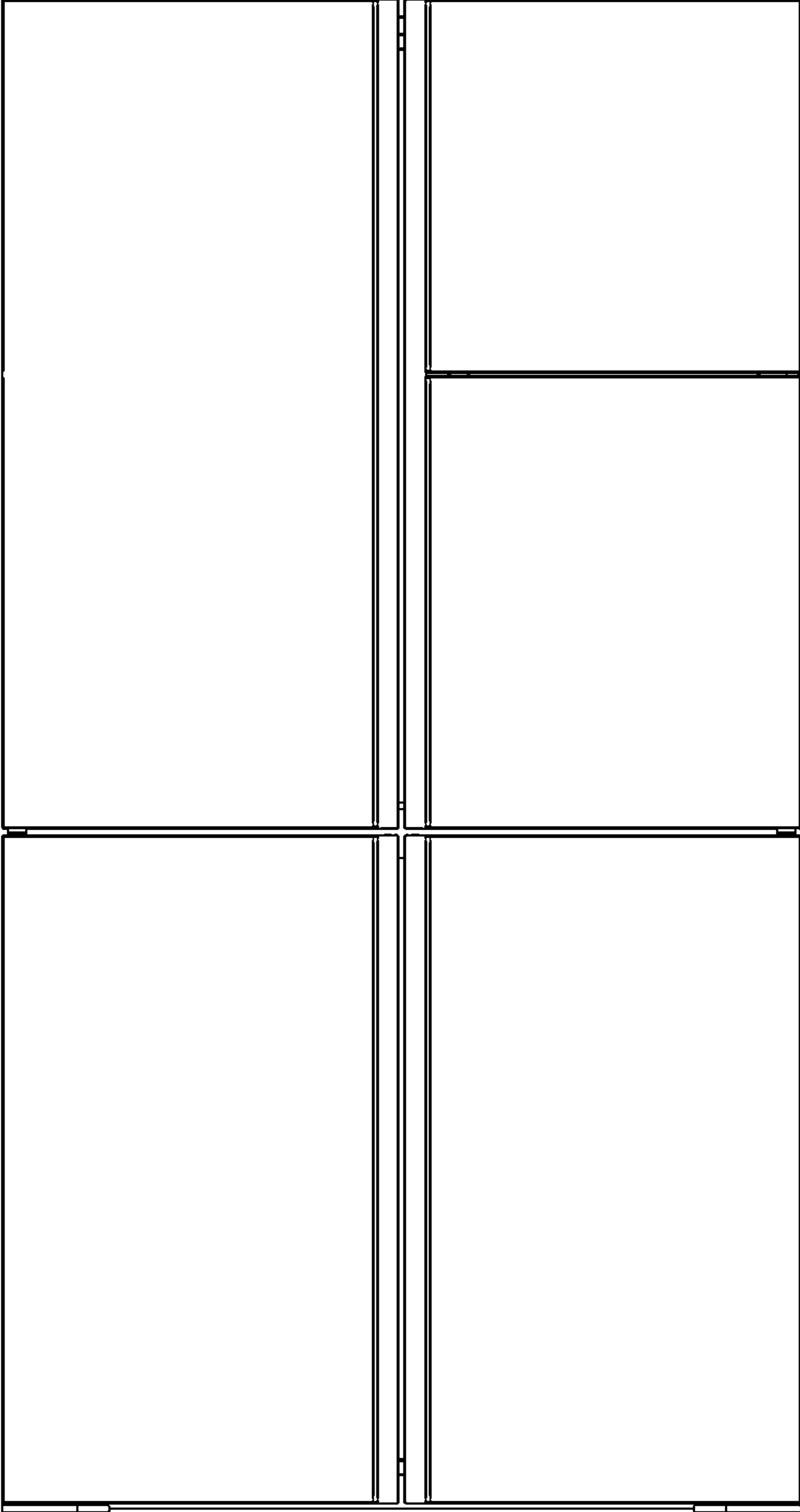


FIG. 2



**FIG. 3**

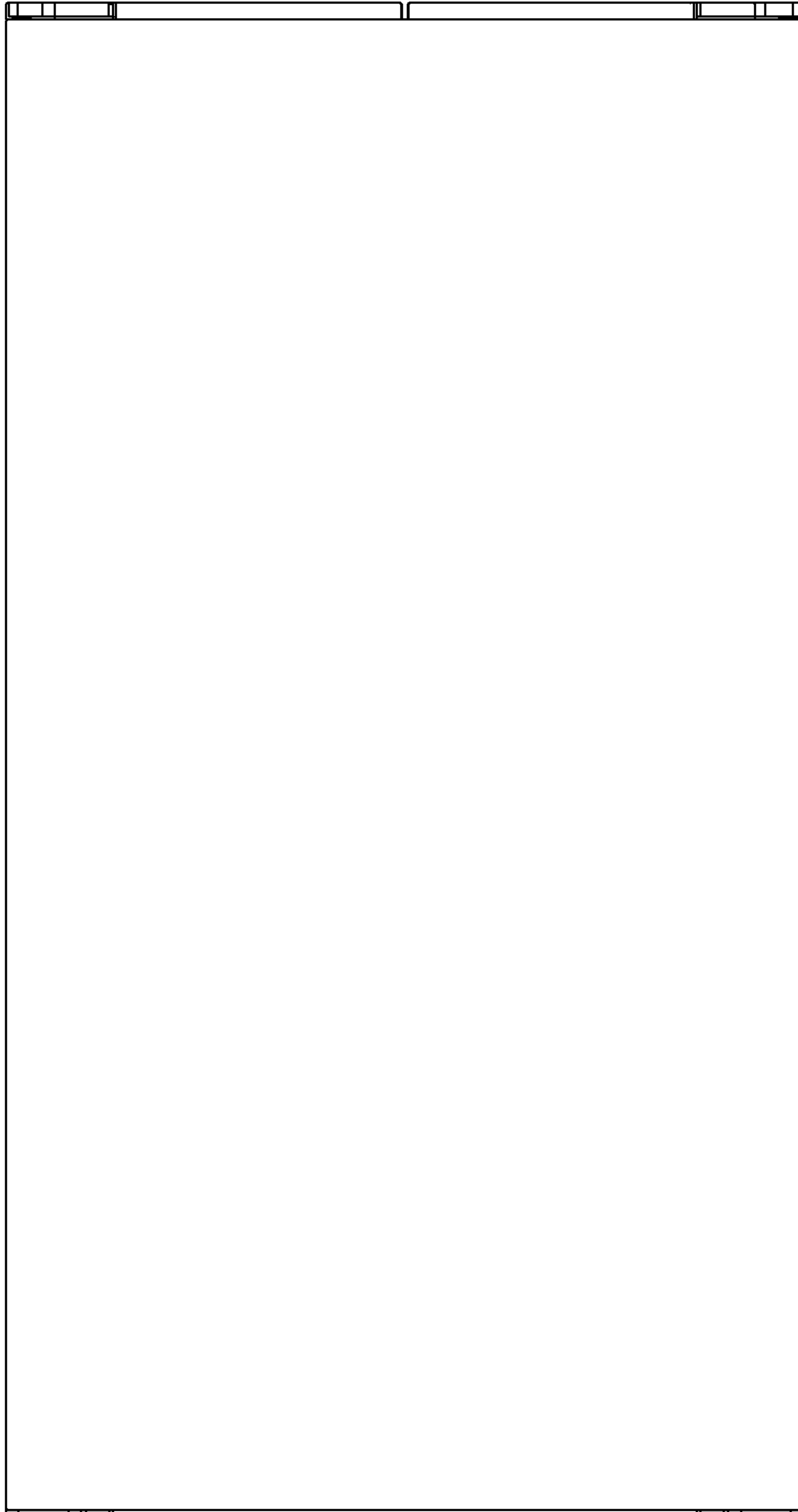


FIG. 4

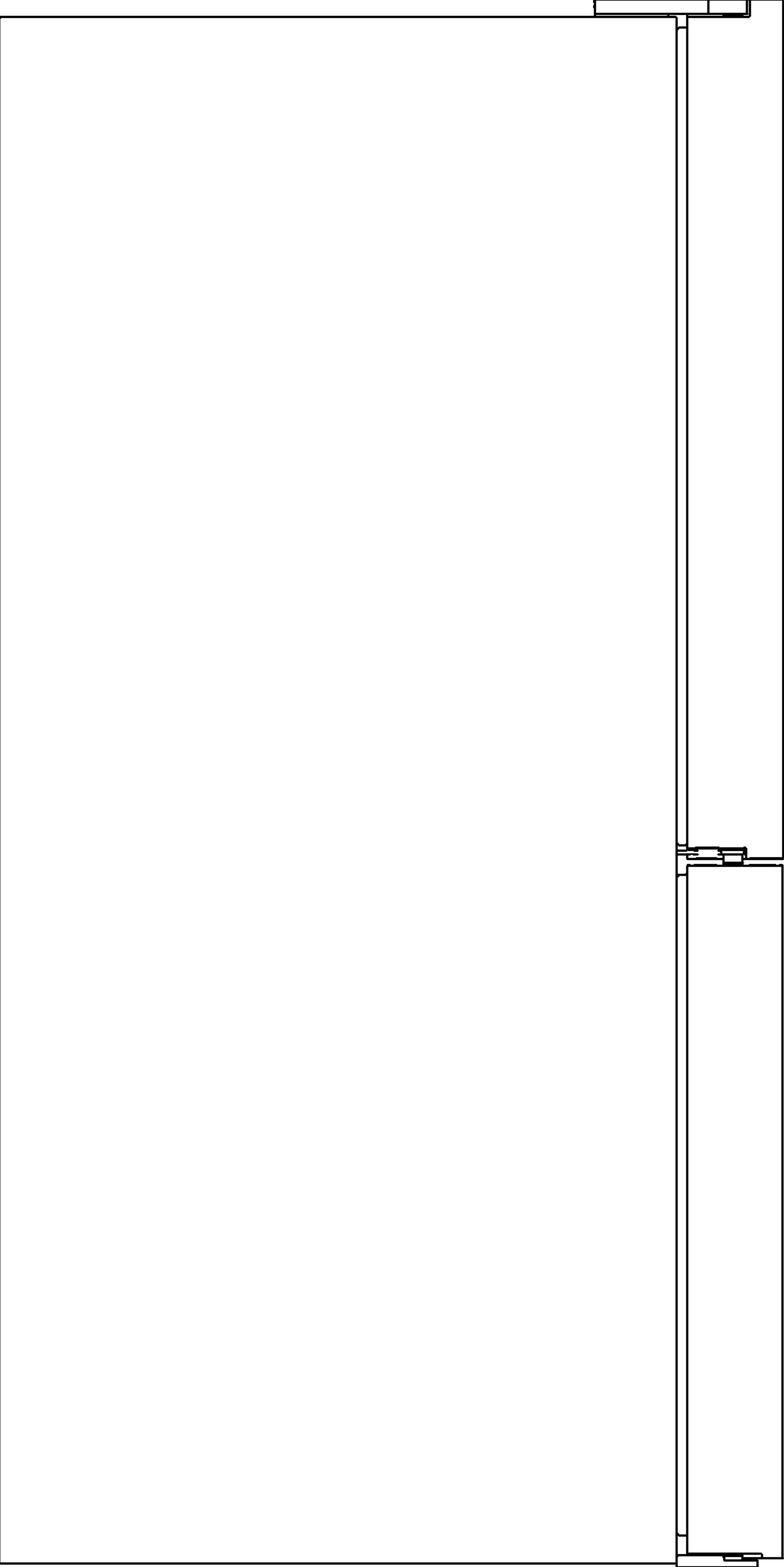


FIG. 5

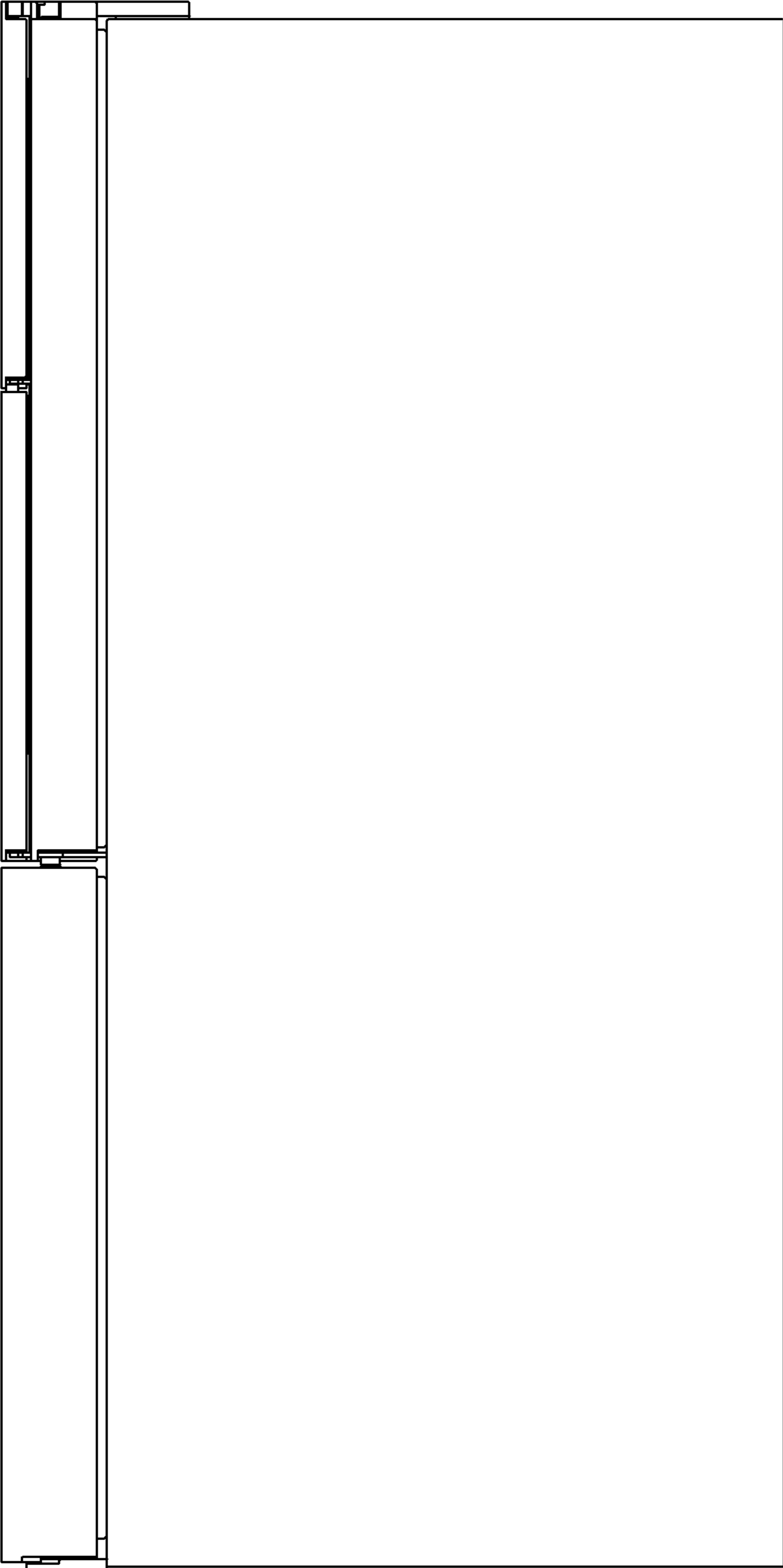


FIG. 6

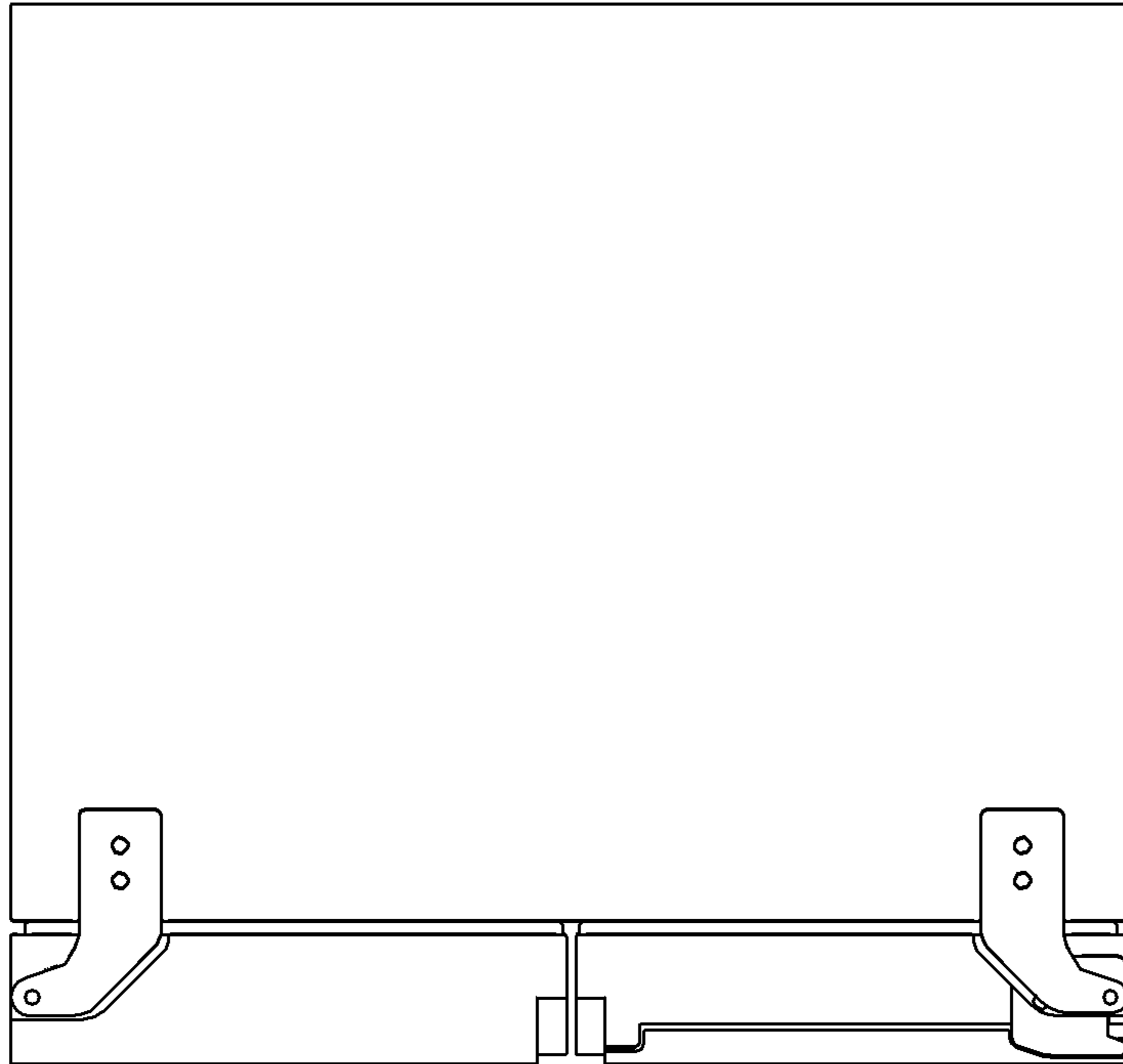


FIG. 7

