



US00D714355S

(12) **United States Design Patent**
Talbot

(10) **Patent No.:** **US D714,355 S**
(45) **Date of Patent:** **** Sep. 30, 2014**

- (54) **HOLD DOWN FOR A BLADE OF A SICKLE**
- (71) Applicant: **MacDon Industries Ltd.**, Winnipeg (CA)
- (72) Inventor: **Francois R. Talbot**, Winnipeg (CA)
- (73) Assignee: **MacDon Industries Ltd.**, Winnipeg, MB (CA)
- (**) Term: **14 Years**
- (21) Appl. No.: **29/477,351**
- (22) Filed: **Dec. 20, 2013**
- (51) **LOC (10) Cl.** **15-03**
- (52) **U.S. Cl.**
USPC **D15/28**
- (58) **Field of Classification Search**
USPC D15/11, 17, 28, 29, 32; 56/298, 310, 56/307, 305
See application file for complete search history.

| | | | | |
|--------------|------|---------|--------------------|----------|
| 4,290,326 | A * | 9/1981 | Ibach et al. | 76/101.1 |
| 4,519,192 | A * | 5/1985 | Oppenhuisen et al. | 56/298 |
| 4,644,738 | A * | 2/1987 | Krambeck et al. | 56/259 |
| 4,651,511 | A * | 3/1987 | Majkrzak | 56/310 |
| 4,909,026 | A * | 3/1990 | Molzahn et al. | 56/298 |
| 5,123,237 | A * | 6/1992 | Lutz | 56/298 |
| 5,209,053 | A * | 5/1993 | Verbeek | 56/298 |
| 5,241,811 | A * | 9/1993 | Bolinger | 56/310 |
| 5,343,682 | A * | 9/1994 | Puncochar | 56/305 |
| 5,884,465 | A * | 3/1999 | Ibach et al. | 56/298 |
| 5,979,152 | A * | 11/1999 | McCredie | 56/298 |
| 6,305,154 | B1 * | 10/2001 | Yang et al. | 56/298 |
| 6,510,681 | B2 * | 1/2003 | Yang et al. | 56/298 |
| 6,543,211 | B1 * | 4/2003 | Talbot | 56/296 |
| D494,605 | S * | 8/2004 | Calmer | D15/28 |
| 6,962,040 | B2 * | 11/2005 | Talbot | 56/297 |
| 7,328,565 | B2 * | 2/2008 | Snider et al. | 56/298 |
| 7,373,769 | B2 * | 5/2008 | Talbot et al. | 56/303 |
| 7,464,527 | B2 * | 12/2008 | Blakeslee et al. | 56/298 |
| D623,671 | S * | 9/2010 | Bolyard | D15/32 |
| 7,870,713 | B2 * | 1/2011 | Schroeder | 56/298 |
| 2002/0005035 | A1 * | 1/2002 | Hovsepian | 56/298 |

(Continued)

Primary Examiner — Mark Goodwin

(74) *Attorney, Agent, or Firm* — Adrian D. Battison; Ade & Company Inc.

(56) **References Cited**
U.S. PATENT DOCUMENTS

| | | | | |
|-----------|-----|---------|-----------------|--------|
| 413,116 | A * | 10/1889 | Walker | 56/311 |
| D44,224 | S * | 6/1913 | Suhr | D15/28 |
| 1,728,326 | A * | 9/1929 | Borkhuis | 56/311 |
| 2,431,663 | A * | 11/1947 | Scranton | 56/307 |
| 2,484,630 | A * | 10/1949 | Magee | 56/309 |
| 2,619,787 | A * | 12/1952 | Mills et al. | 56/310 |
| 2,654,987 | A * | 10/1953 | Mills et al. | 56/310 |
| D197,903 | S * | 4/1964 | Scarnato et al. | D15/28 |
| 3,146,570 | A * | 9/1964 | Otten | 56/311 |
| 3,171,242 | A * | 3/1965 | Scarnato et al. | 56/310 |
| 3,401,512 | A * | 9/1968 | Pool et al. | 56/298 |
| 3,553,948 | A * | 1/1971 | White | 56/307 |
| 3,566,592 | A * | 3/1971 | Jerman et al. | 56/311 |
| D225,356 | S * | 12/1972 | Neal et al. | D15/28 |
| 3,978,645 | A * | 9/1976 | Bennett et al. | 56/310 |
| D254,548 | S * | 3/1980 | Dowd et al. | D15/28 |

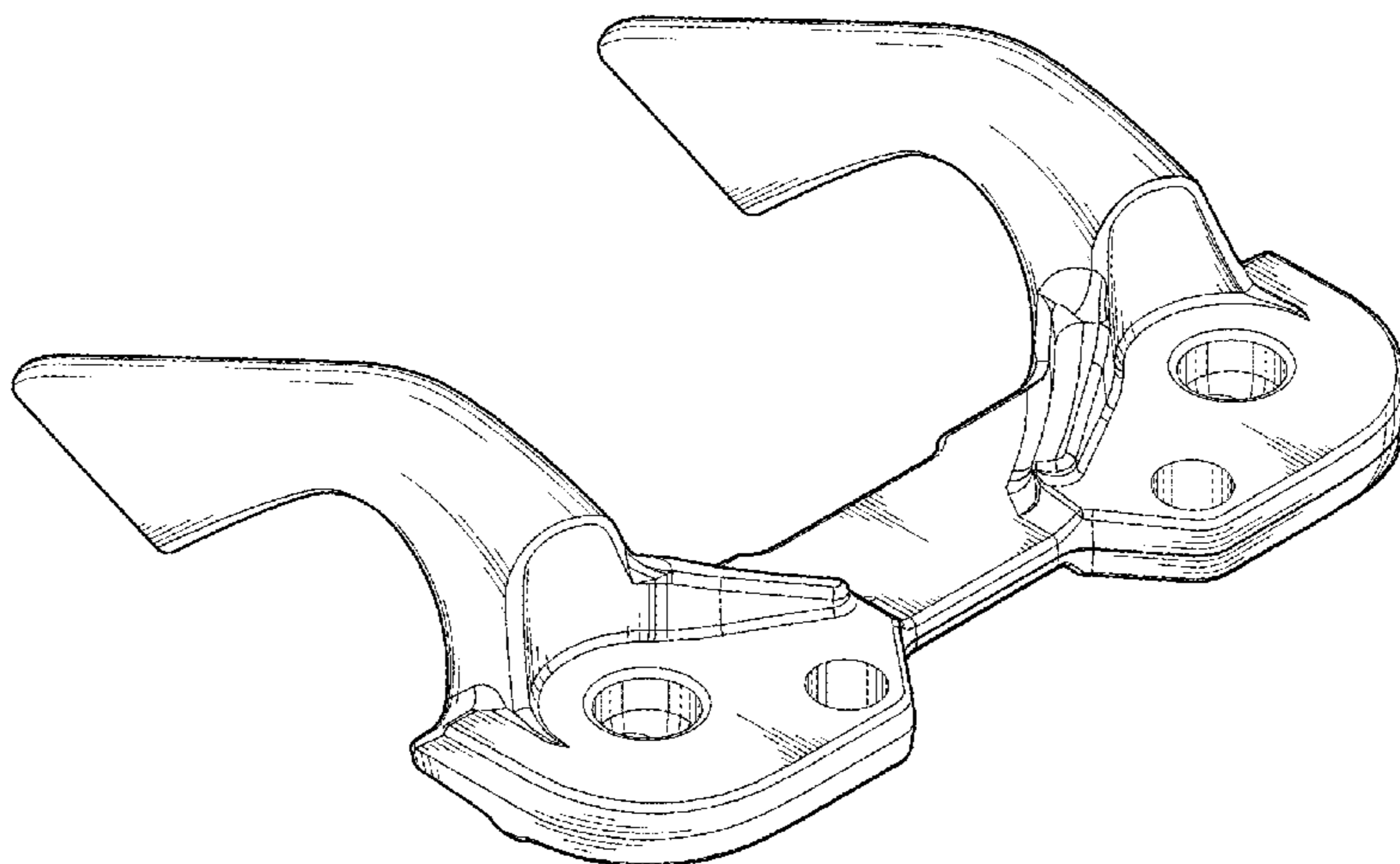
(57) **CLAIM**

The ornamental design for a hold down for a blade of a sickle, as shown and described.

DESCRIPTION

FIG. 1 is a top, side, isometric view of a hold down for a blade of a sickle showing my new design.
 FIG. 2 is a top plan view thereof.
 FIG. 3 is a rear elevational view thereof.
 FIG. 4 is a front elevational view thereof.
 FIG. 5 is a bottom plan view thereof.
 FIG. 6 is a first side elevational view thereof; and,
 FIG. 7 is a second side elevational view thereof.

1 Claim, 4 Drawing Sheets



US D714,355 S

Page 2

(56)

References Cited

U.S. PATENT DOCUMENTS

| | | | |
|------------------|--------|--------------------|---------|
| 2005/0016151 A1* | 1/2005 | Lolley | 56/307 |
| 2008/0006016 A1* | 1/2008 | Snider et al. | 56/297 |
| 2009/0199529 A1* | 8/2009 | Schroeder | 56/12.9 |
| 2003/0074875 A1* | 4/2003 | Talbot | 56/257 |

* cited by examiner

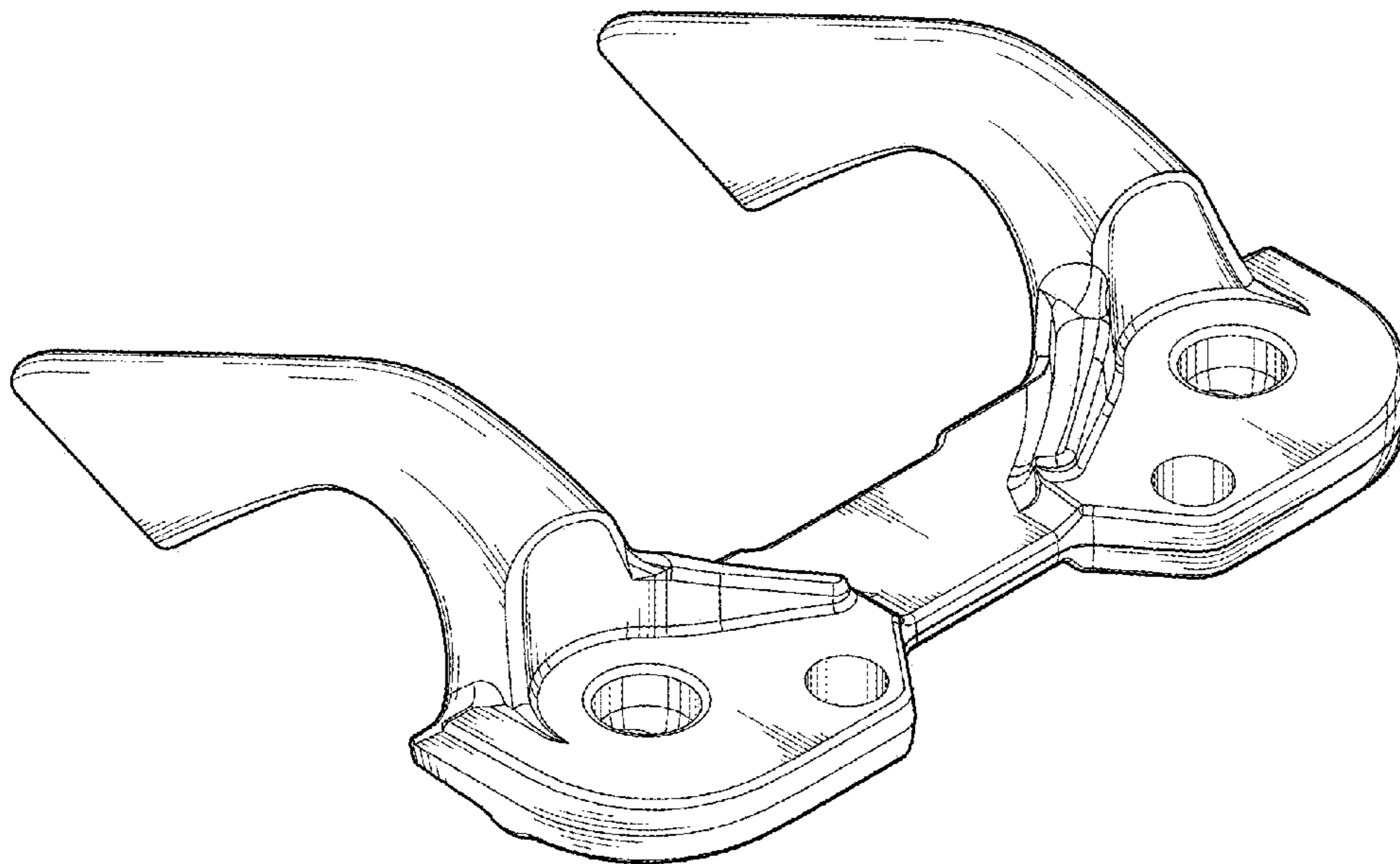


FIG. 1

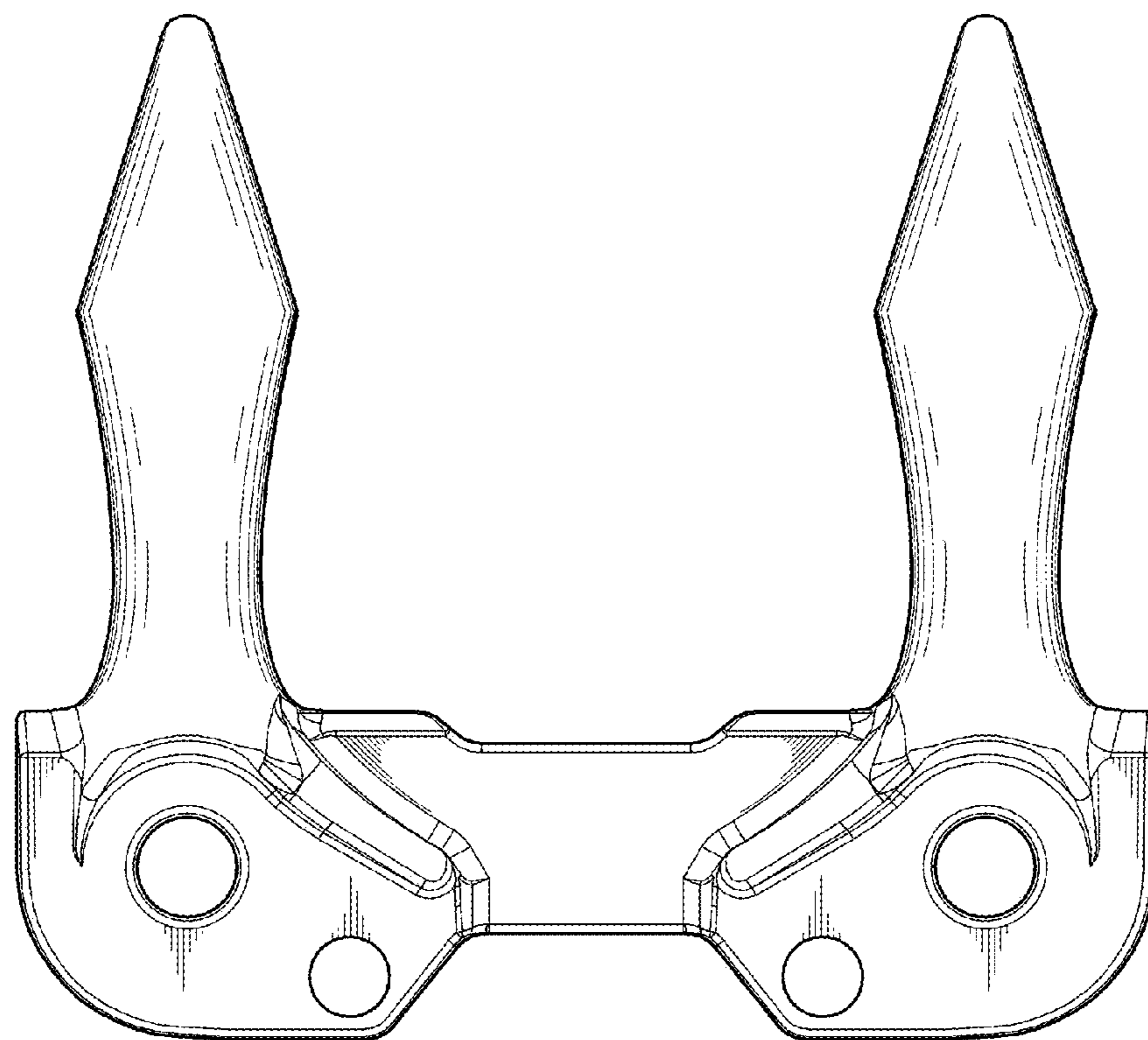


FIG. 2

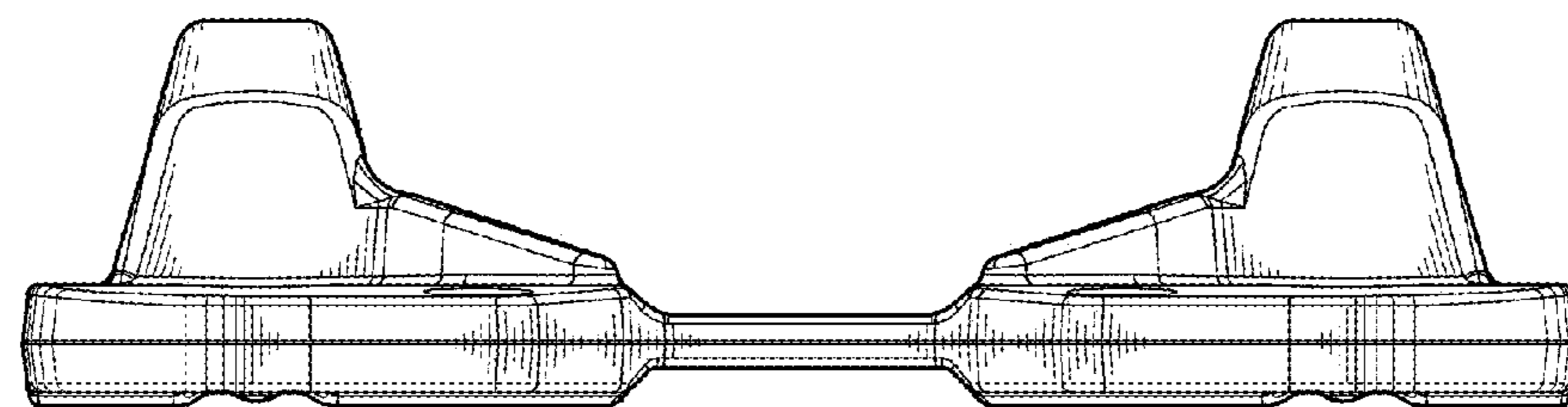


FIG. 3

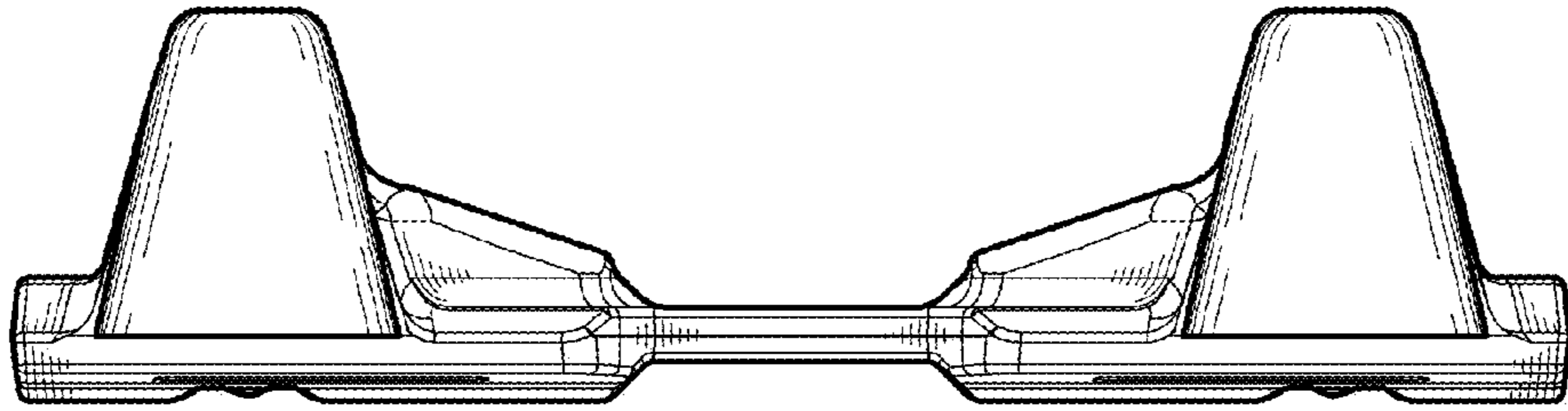


FIG. 4

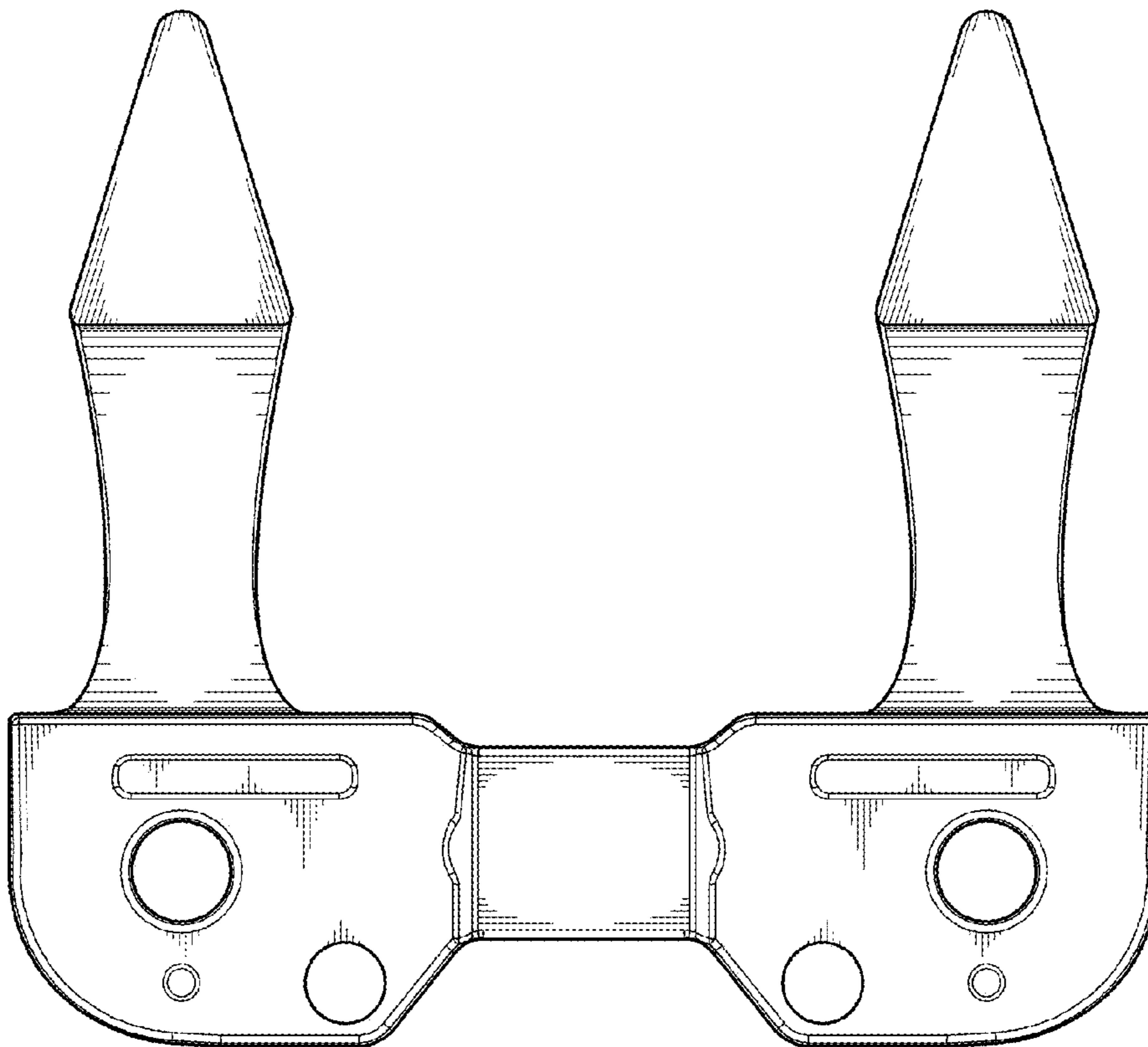


FIG. 5

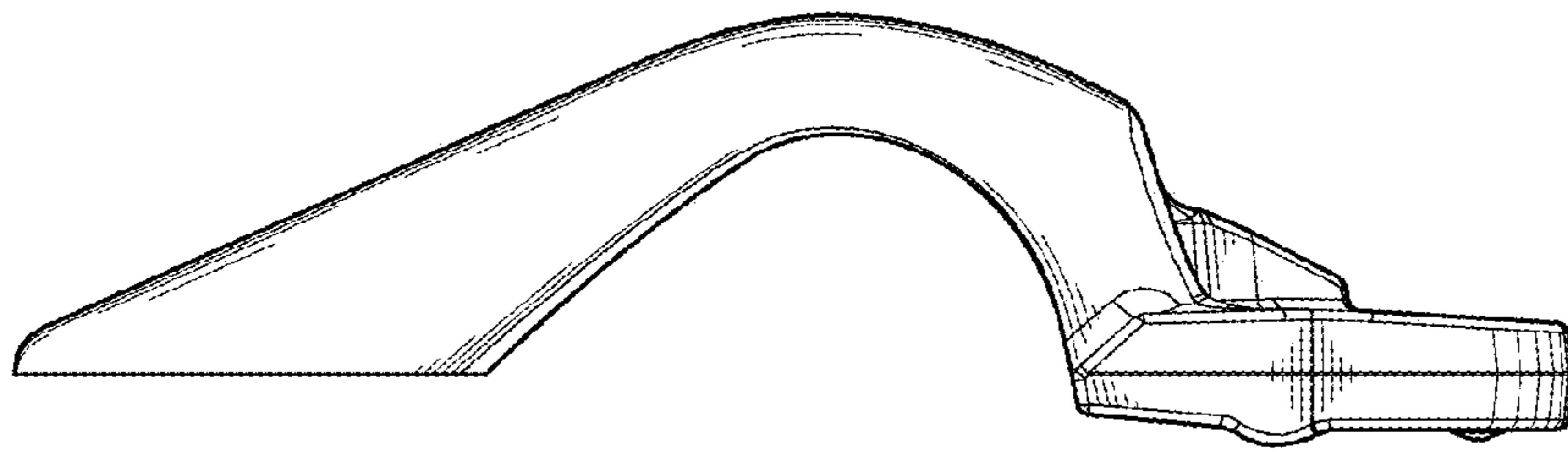


FIG. 6

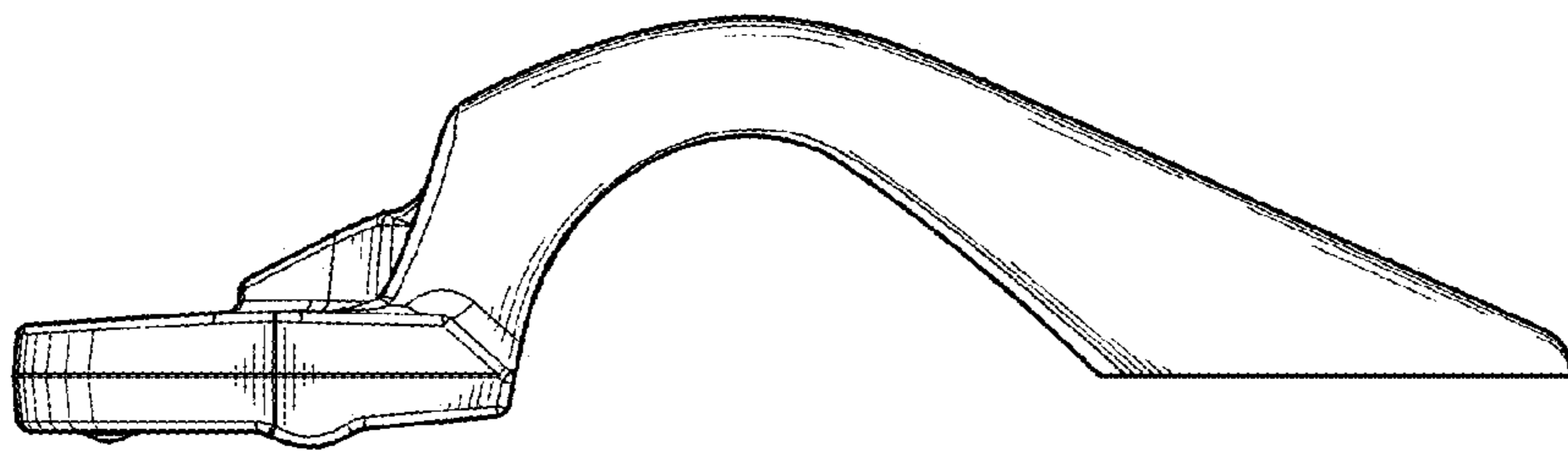


FIG. 7