



US00D714353S

(12) **United States Design Patent**  
**Talbot**

(10) **Patent No.:** **US D714,353 S**  
(45) **Date of Patent:** **\*\* Sep. 30, 2014**

- (54) **POINTED GUARD FOR A SICKLE**
- (71) Applicant: **MacDon Industries Ltd.**, Winnipeg (CA)
- (72) Inventor: **Francois R. Talbot**, Winnipeg (CA)
- (73) Assignee: **MacDon Industries Ltd.**, Winnipeg MB (CA)
- (\*\*) Term: **14 Years**
- (21) Appl. No.: **29/477,338**
- (22) Filed: **Dec. 20, 2013**
- (51) **LOC (10) Cl.** ..... **15-03**
- (52) **U.S. Cl.**  
USPC ..... **D15/28**
- (58) **Field of Classification Search**  
USPC ..... D15/11, 17, 28, 29, 32; 56/298, 310, 56/307, 305  
See application file for complete search history.

4,519,192	A *	5/1985	Oppenhuisen et al.	.....	56/298
4,644,738	A *	2/1987	Krambeck et al.	.....	56/259
4,651,511	A *	3/1987	Majkrzak	.....	56/310
4,909,026	A *	3/1990	Molzahn et al.	.....	56/298
5,123,237	A *	6/1992	Lutz	.....	56/298
5,209,053	A *	5/1993	Verbeek	.....	56/298
5,241,811	A *	9/1993	Bolinger	.....	56/310
5,343,682	A *	9/1994	Puncochar	.....	56/305
5,884,465	A *	3/1999	Ibach et al.	.....	56/298
5,979,152	A *	11/1999	McCredie	.....	56/298
6,305,154	B1 *	10/2001	Yang et al.	.....	56/298
6,510,681	B2 *	1/2003	Yang et al.	.....	56/298
6,543,211	B1 *	4/2003	Talbot	.....	56/296
D494,605	S *	8/2004	Calmer	.....	D15/28
6,962,040	B2 *	11/2005	Talbot	.....	56/297
7,328,565	B2 *	2/2008	Snider et al.	.....	56/298
7,373,769	B2 *	5/2008	Talbot et al.	.....	56/303
7,464,527	B2 *	12/2008	Blakeslee et al.	.....	56/298
D623,671	S *	9/2010	Bolyard	.....	D15/32
7,870,713	B2 *	1/2011	Schroeder	.....	56/298
2002/0005035	A1 *	1/2002	Hovsepian	.....	56/298
2003/0074875	A1 *	4/2003	Talbot	.....	56/257

(Continued)

Primary Examiner — Mark Goodwin

(74) *Attorney, Agent, or Firm* — Adrian D. Battison; Ade & Company Inc.

(56) **References Cited**

U.S. PATENT DOCUMENTS

413,116	A *	10/1889	Walker	.....	56/311
D44,224	S *	6/1913	Suhr	.....	D15/28
1,728,326	A *	9/1929	Borkhuis	.....	56/311
2,431,663	A *	11/1947	Scranton	.....	56/307
2,484,630	A *	10/1949	Magee	.....	56/309
2,619,787	A *	12/1952	Mills et al.	.....	56/310
2,654,987	A *	10/1953	Mills et al.	.....	56/310
D197,903	S *	4/1964	Scarnato et al.	.....	D15/28
3,146,570	A *	9/1964	Otten	.....	56/311
3,171,242	A *	3/1965	Scarnato et al.	.....	56/310
3,401,512	A *	9/1968	Pool et al.	.....	56/298
3,553,948	A *	1/1971	White	.....	56/307
3,566,592	A *	3/1971	Jerman et al.	.....	56/311
D225,356	S *	12/1972	Neal et al.	.....	D15/28
3,978,645	A *	9/1976	Bennett et al.	.....	56/310
D254,548	S *	3/1980	Dowd et al.	.....	D15/28
4,290,326	A *	9/1981	Ibach et al.	.....	76/101.1

(57) **CLAIM**

The ornamental design for a pointed guard for a sickle, as shown and described.

**DESCRIPTION**

FIG. 1 is a top, side, isometric view of a pointed guard for a sickle showing my new design.

FIG. 2 is a first side elevational view thereof.

FIG. 3 is a top plan view thereof.

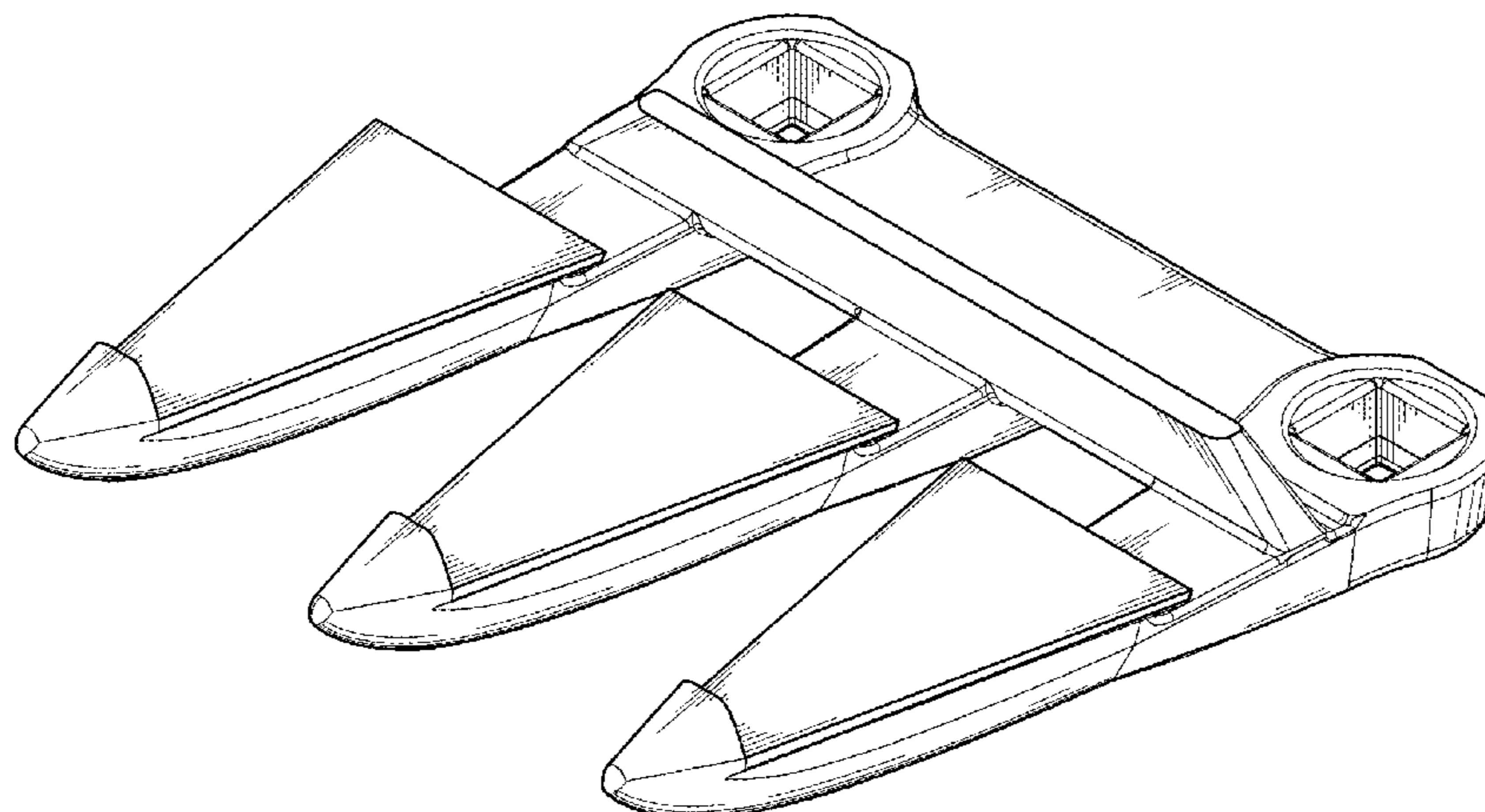
FIG. 4 is a second side elevational view thereof.

FIG. 5 is a bottom plan view thereof.

FIG. 6 is a rear elevational view thereof; and,

FIG. 7 is a front elevational view thereof.

**1 Claim, 4 Drawing Sheets**



# US D714,353 S

Page 2

---

(56)

## References Cited

2008/0006016 A1\* 1/2008 Snider et al. .... 56/297  
2009/0199529 A1\* 8/2009 Schroeder ..... 56/12.9

## U.S. PATENT DOCUMENTS

2005/0016151 A1\* 1/2005 Lolley ..... 56/307 \* cited by examiner

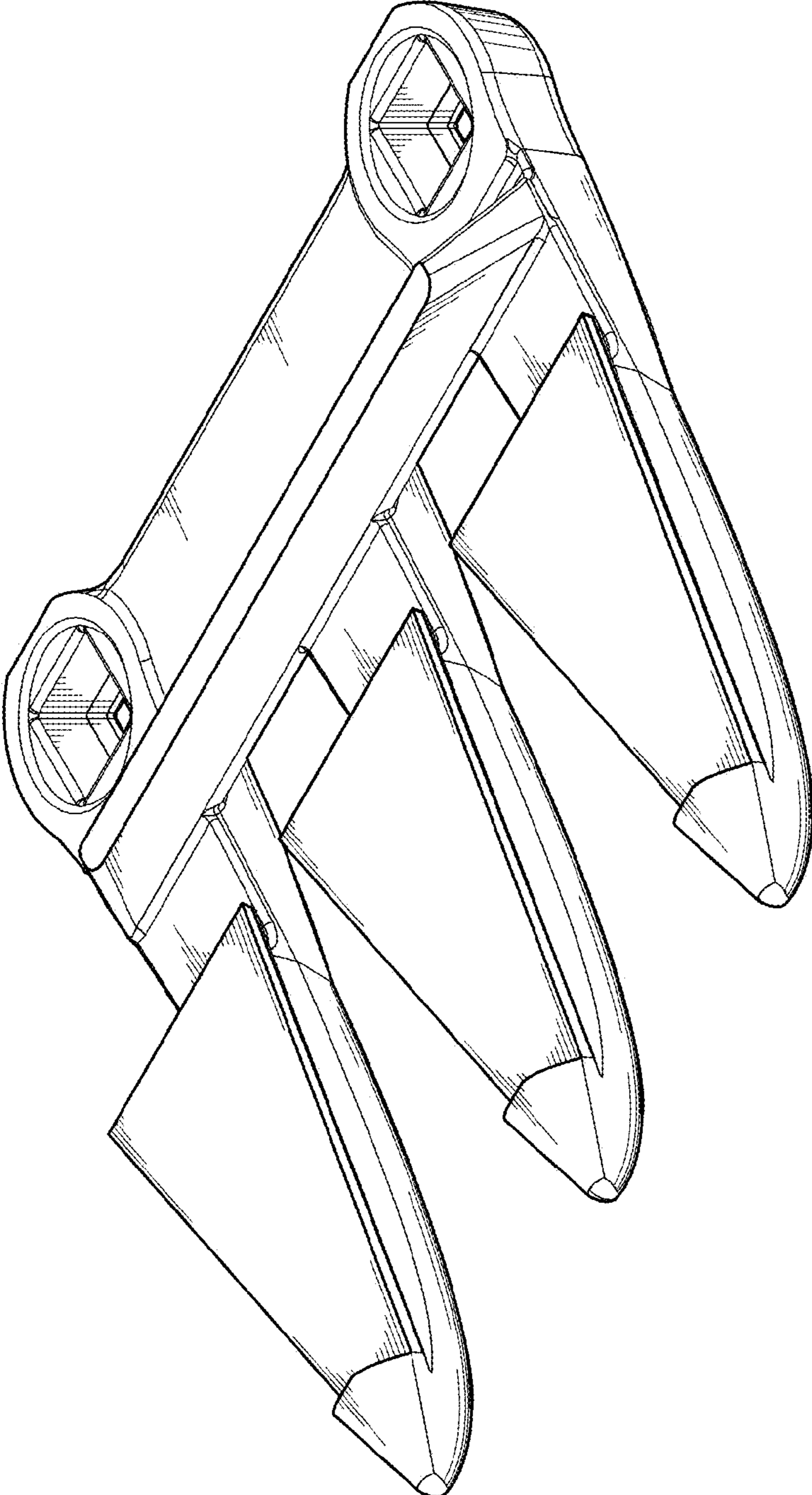
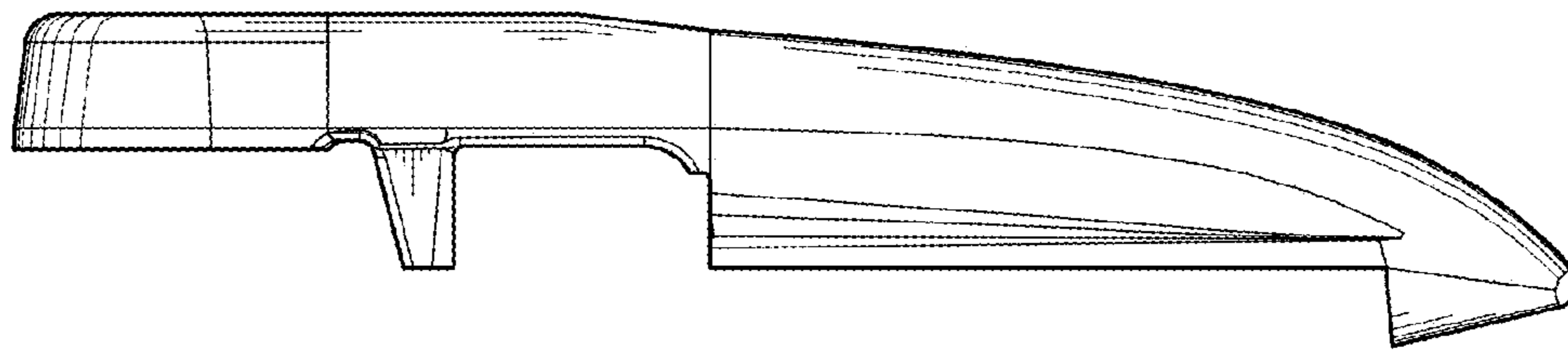
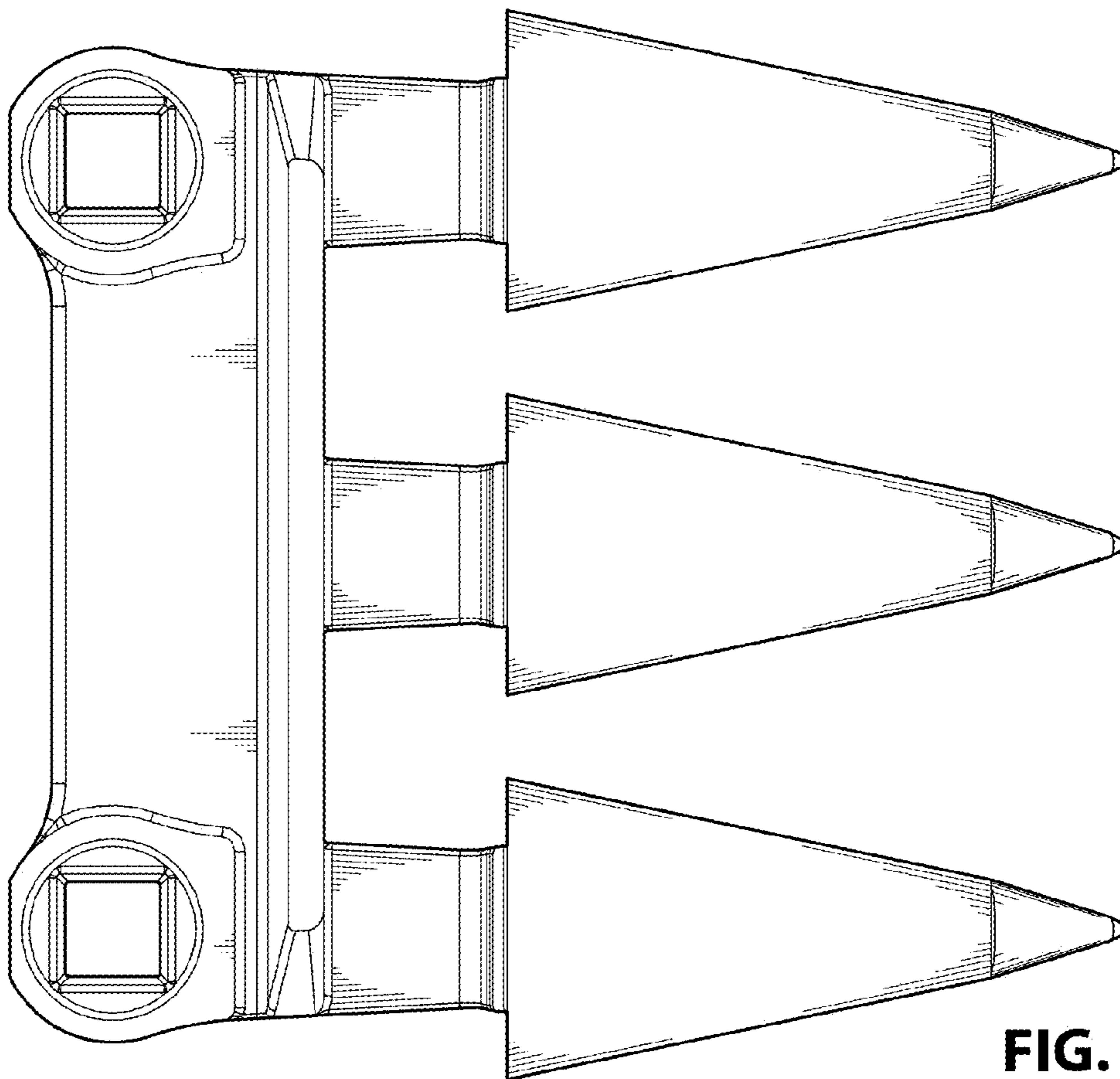


FIG. 1

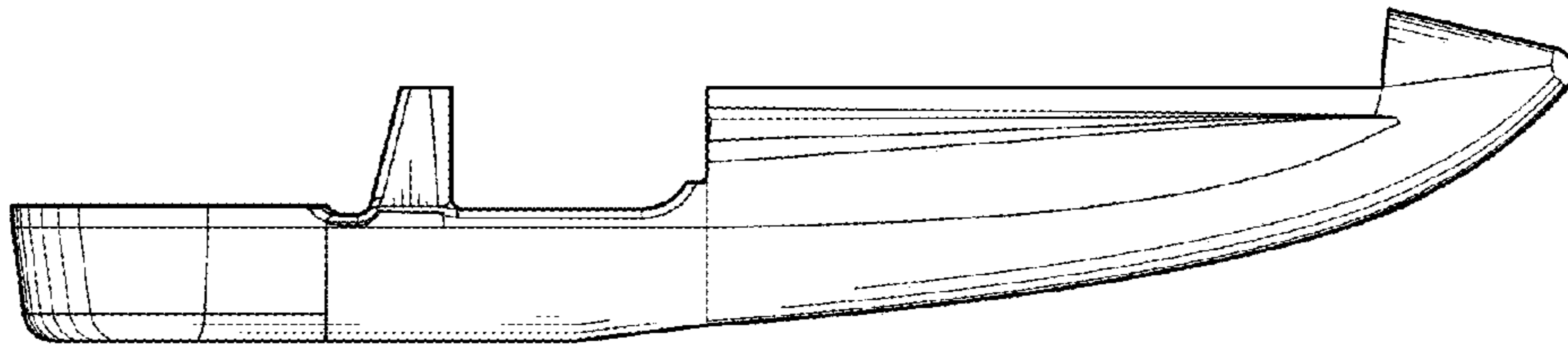


**FIG. 2**

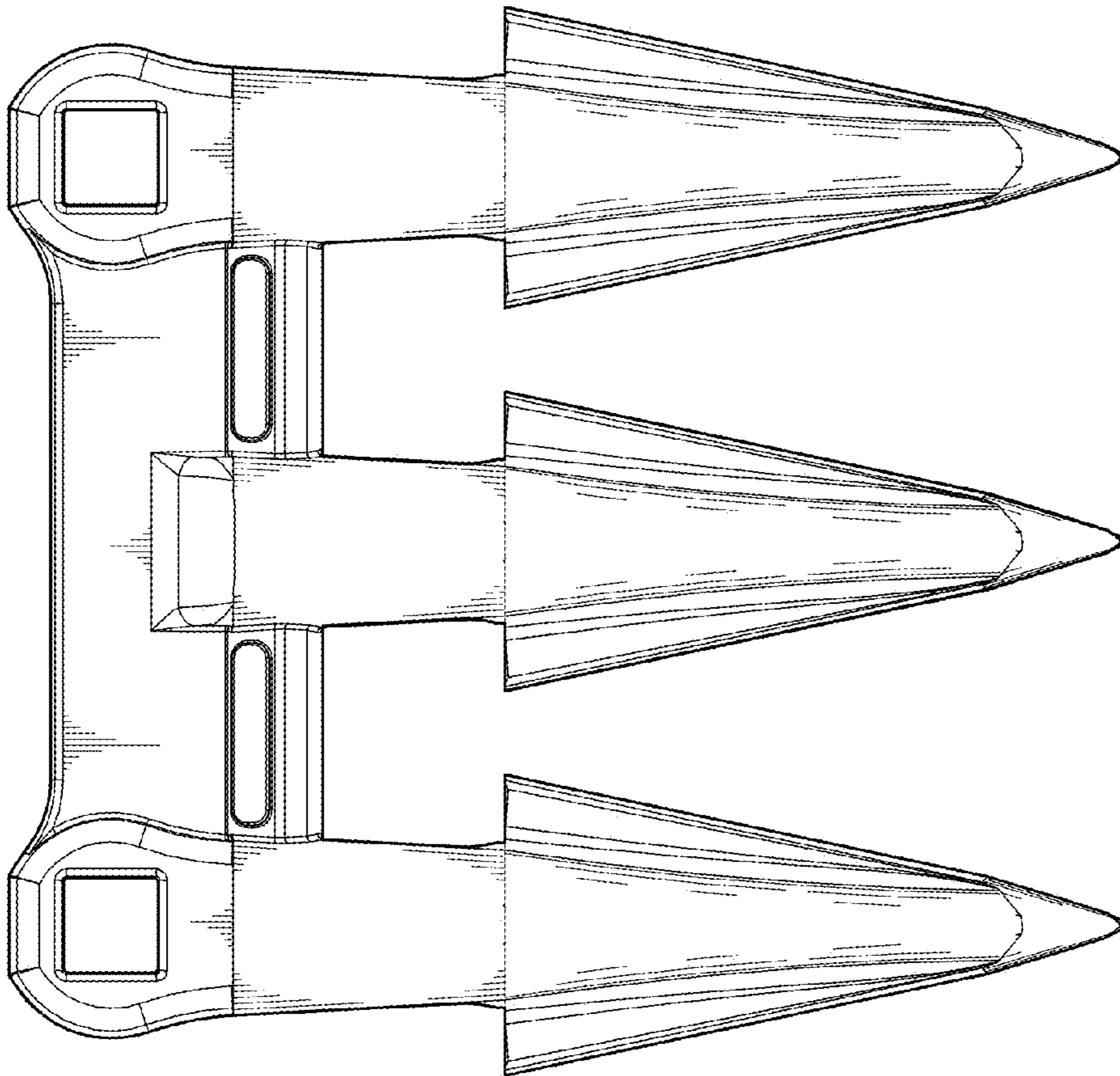


**FIG. 3**

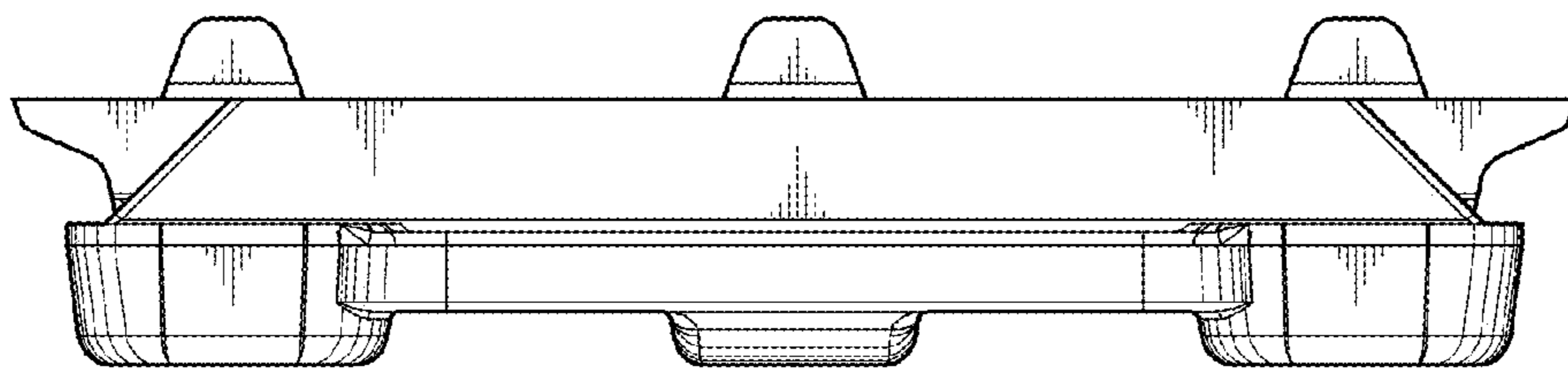




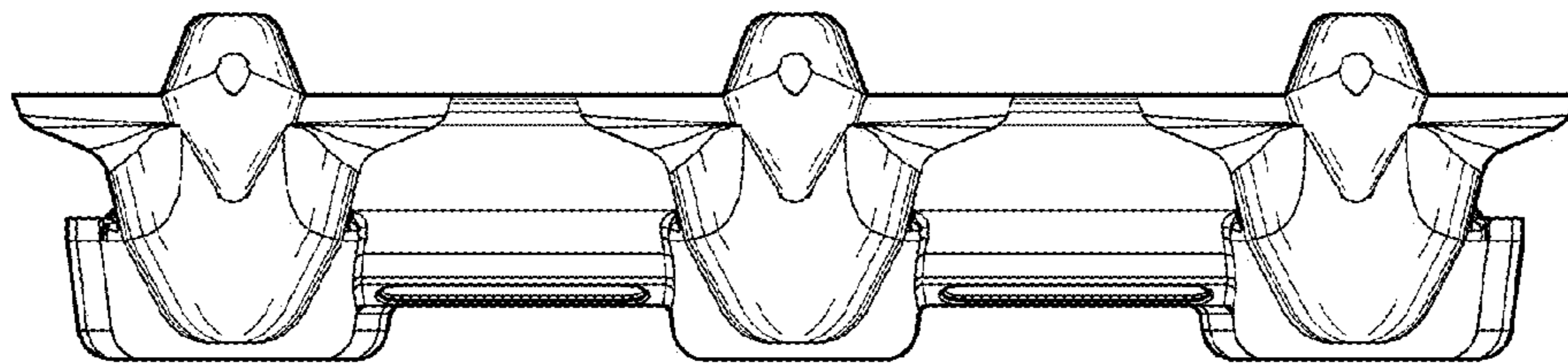
**FIG. 4**



**FIG. 5**



**FIG. 6**



**FIG. 7**