



US00D714351S

(12) **United States Design Patent**  
**Martin et al.**

(10) **Patent No.:** **US D714,351 S**

(45) **Date of Patent:** **\*\* Sep. 30, 2014**

- (54) **LAWN MOWER POWER HEAD**
- (71) Applicant: **The Toro Company**, Bloomington, MN (US)
- (72) Inventors: **David J. Martin**, Eden Prairie, MN (US); **Philip C. Dretzka**, Woodbury, MN (US); **Khari S. Clarke**, Minneapolis, MN (US); **Chris A. Wadzinski**, Inver Grove Heights, MN (US)
- (73) Assignee: **The Toro Company**, Bloomington, MN (US)

(\*\*) Term: **14 Years**

(21) Appl. No.: **29/482,128**

(22) Filed: **Feb. 14, 2014**

(51) **LOC (10) Cl.** ..... **15-03**

(52) **U.S. Cl.**  
USPC ..... **D15/17**

(58) **Field of Classification Search**  
USPC ..... D15/10, 14-18; 56/12.8, 12.7, 13.4, 56/16.7, 17.5, 202, 254, 255, 294, 11.4, 56/320.1, 320.2, 249, 252, 11.9, 17.4, 56/295; 280/43.17

See application file for complete search history.

(56) **References Cited**

**U.S. PATENT DOCUMENTS**

4,312,174 A	1/1982	Vanderhoef
D274,250 S	6/1984	Allen et al.
D276,047 S	10/1984	Sasaki
D307,911 S	5/1990	Miyawaki et al.
D317,165 S	5/1991	Schweitz et al.
D319,447 S	8/1991	Oshima et al.
D330,210 S	10/1992	Sirois et al.
5,251,711 A	10/1993	Meyer et al.
D352,042 S	11/1994	Davies, III
D352,043 S	11/1994	Davies, III

D381,665 S	7/1997	Hinklin et al.
D384,083 S	9/1997	Hinklin
5,676,117 A	10/1997	Williams
D421,265 S	2/2000	Ohsumi et al.
D424,578 S	5/2000	Friberg et al.
D426,836 S	6/2000	Sirois et al.
D449,840 S	10/2001	Concari et al.
D450,064 S	11/2001	Concari et al.
D456,030 S	4/2002	Maeda
D457,897 S *	5/2002	Jong ..... D15/14
D460,973 S	7/2002	Jong
D489,734 S	5/2004	Lin
D497,918 S	11/2004	Osborne et al.
D500,054 S	12/2004	Jager
D530,726 S	10/2006	Martin
D544,501 S *	6/2007	Chung Lee ..... D15/14
7,231,755 B2	6/2007	Clarke
7,240,473 B2	7/2007	Docken et al.
D605,667 S *	12/2009	Peterson et al. .... D15/14

(Continued)

*Primary Examiner* — Mark Goodwin

(74) *Attorney, Agent, or Firm* — Mueting, Raasch & Gebhardt, P.A.

(57) **CLAIM**

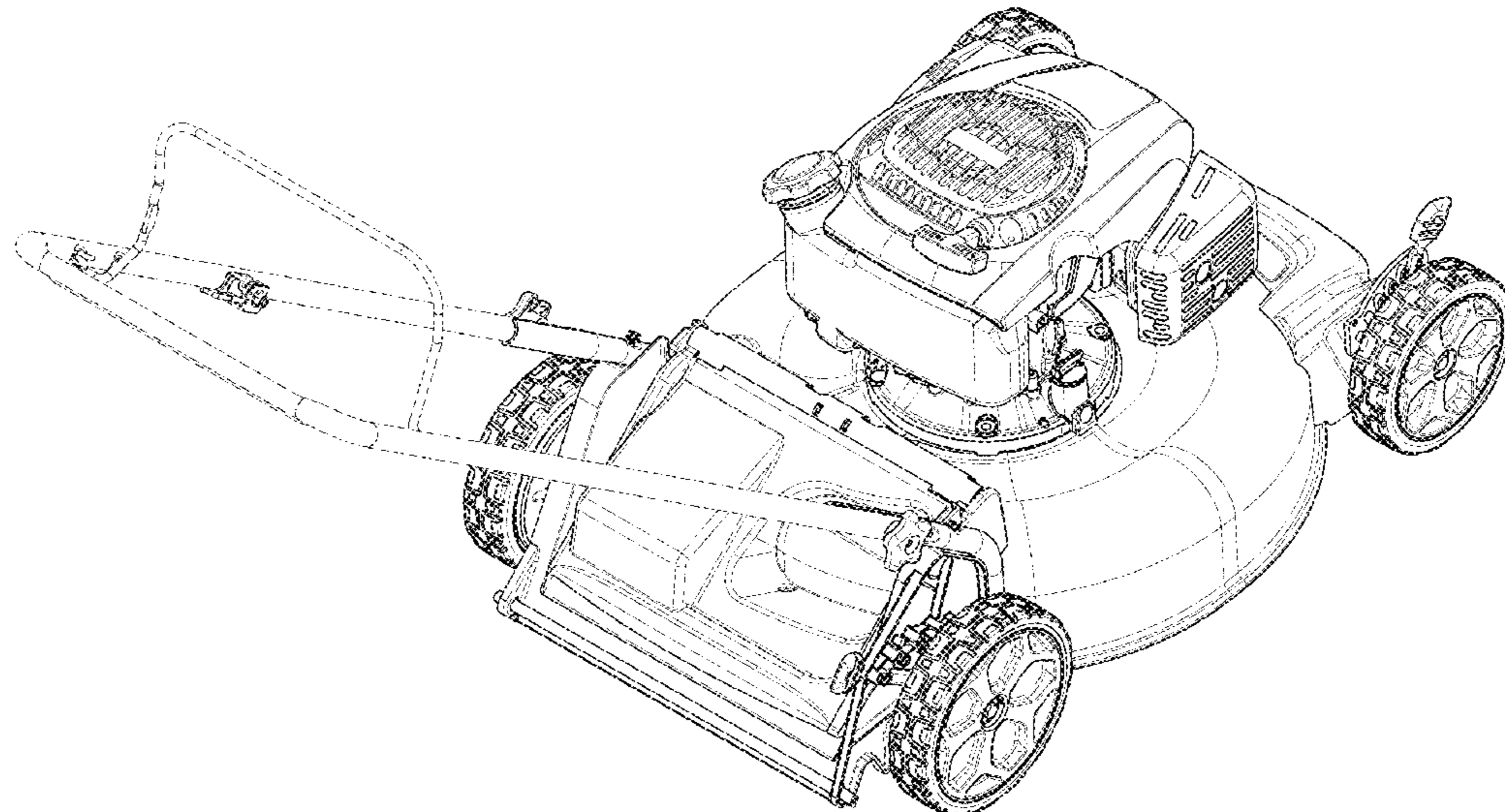
The ornamental design for a lawn mower power head, as shown and described.

**DESCRIPTION**

FIG. 1 is a right rear perspective view of a lawn mower power head incorporating the new design; FIG. 2 is a left front perspective view thereof; FIG. 3 is a right side elevational view thereof; FIG. 4 is a left side elevational view thereof; FIG. 5 is a front elevational view thereof; FIG. 6 is a rear elevational view thereof; and, FIG. 7 is a top plan view thereof.

The features shown in broken lines in the figures, including the mower handle, handle controls, and handle-mounted brackets, are for illustrative purposes only and form no part of the claimed design.

**1 Claim, 7 Drawing Sheets**



(56)

**References Cited**

U.S. PATENT DOCUMENTS

D610,167 S 2/2010 Martin et al.  
D620,029 S 7/2010 Baetica  
D620,030 S 7/2010 Baetica  
D622,291 S 8/2010 Martin et al.  
D624,562 S 9/2010 Neeley et al.

D627,371 S 11/2010 Baetica  
D627,372 S 11/2010 Baetica  
D628,598 S 12/2010 Neeley et al.  
D648,354 S 11/2011 Hattori et al.  
D648,754 S 11/2011 Yuzuriha  
D673,181 S 12/2012 Martin et al.  
2003/0182919 A1 10/2003 Baumann et al.  
2006/0053762 A1 3/2006 Stover et al.

\* cited by examiner

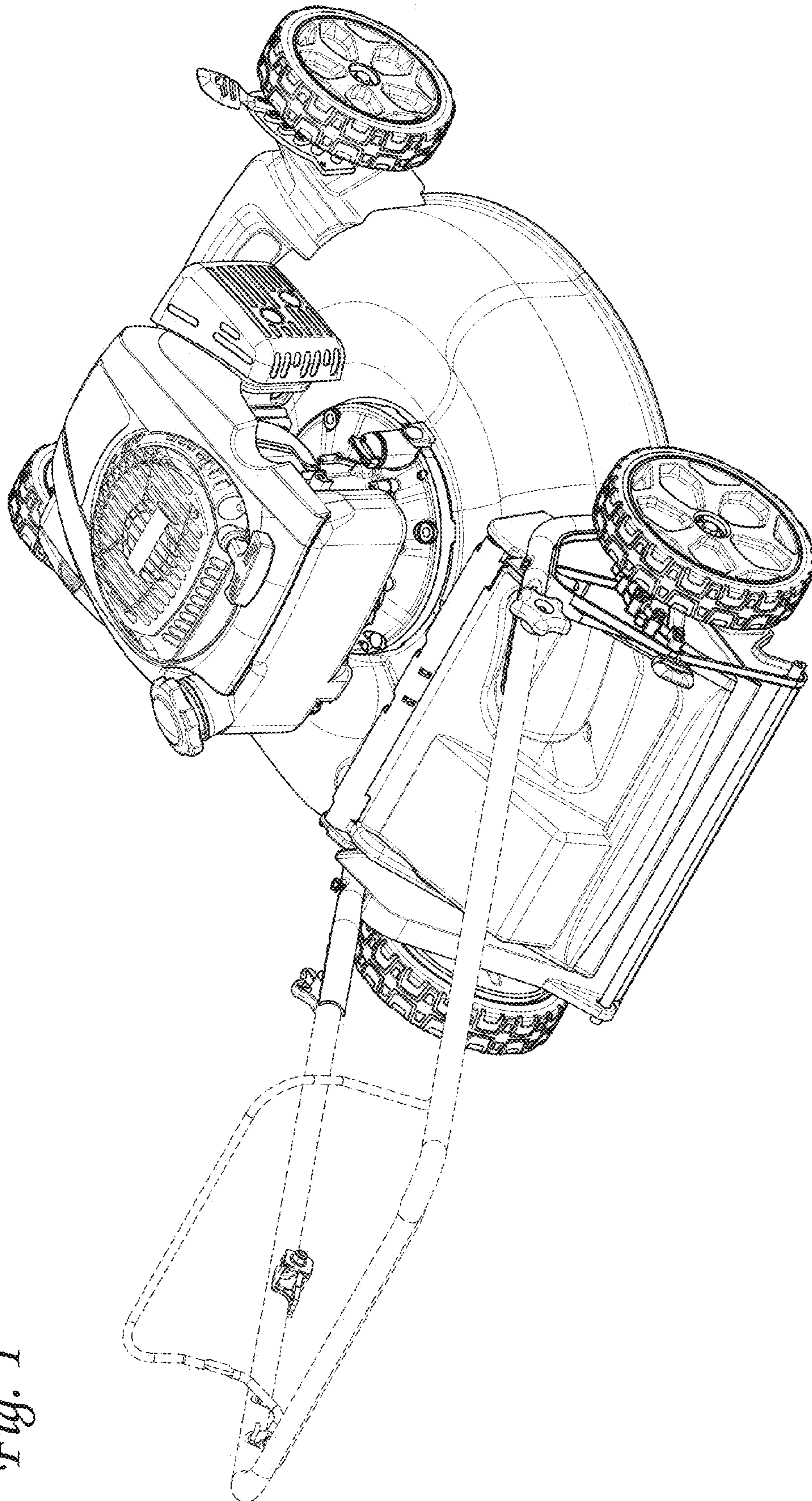


Fig. 1

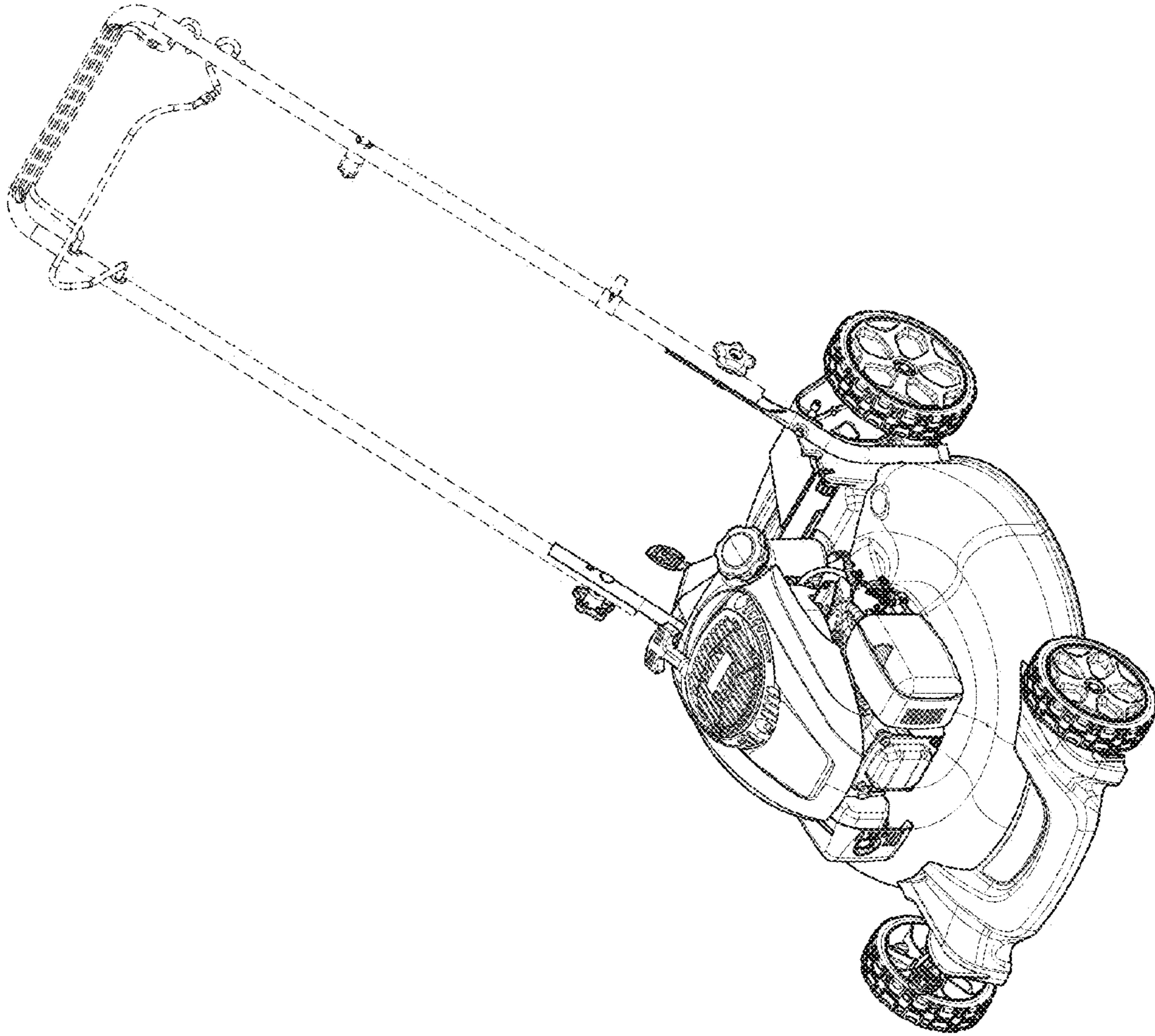


Fig. 2

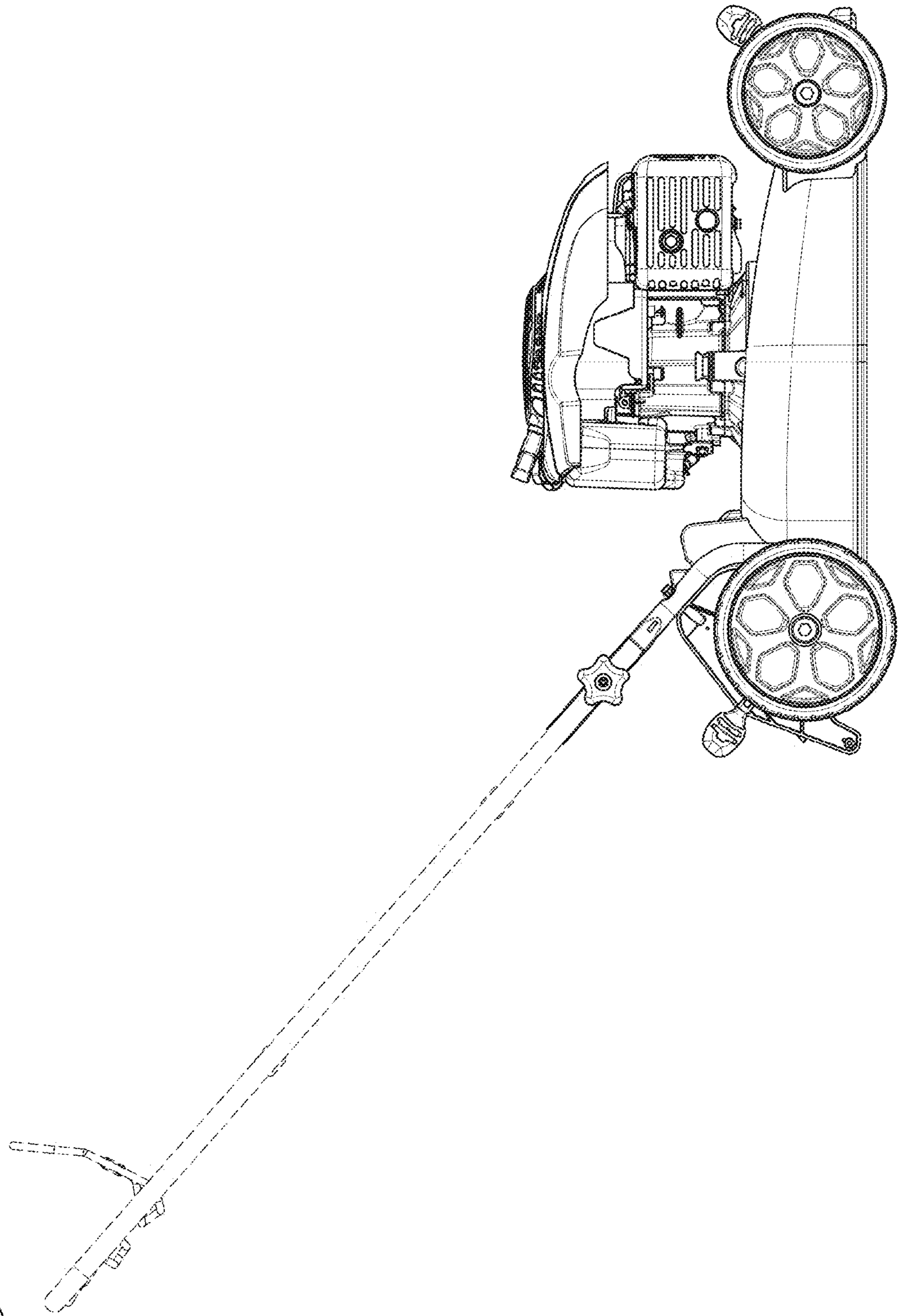


Fig. 3

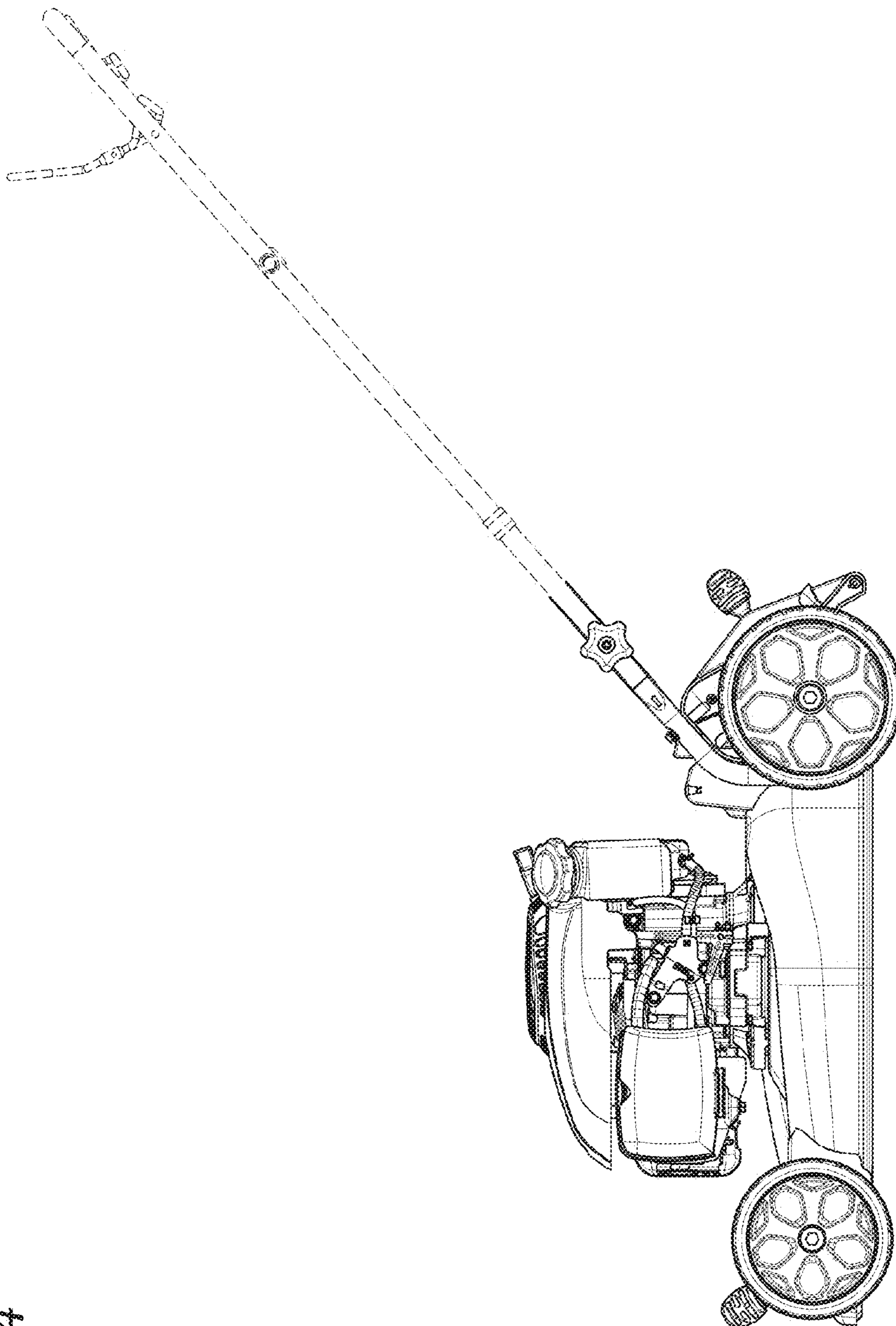
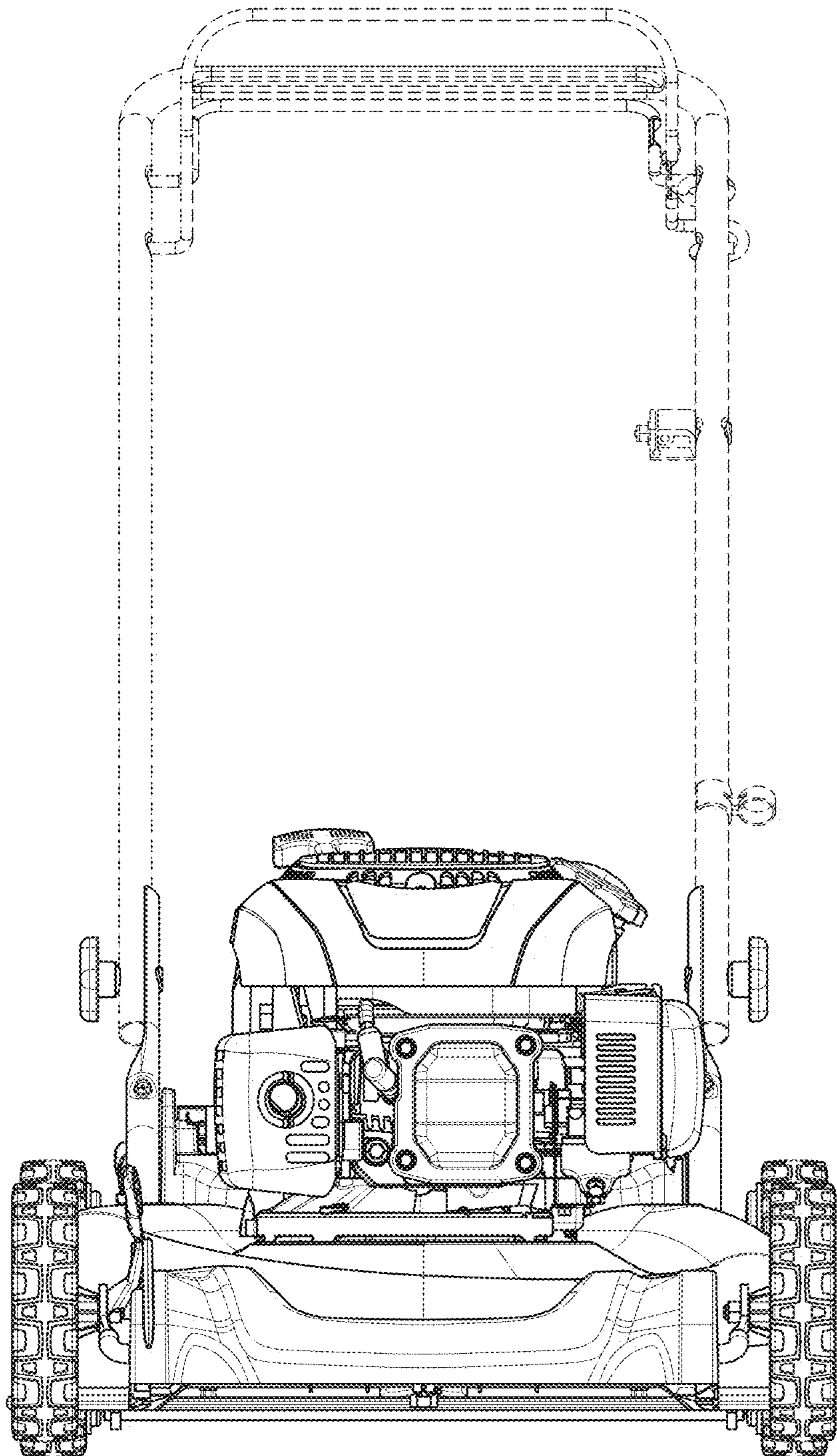
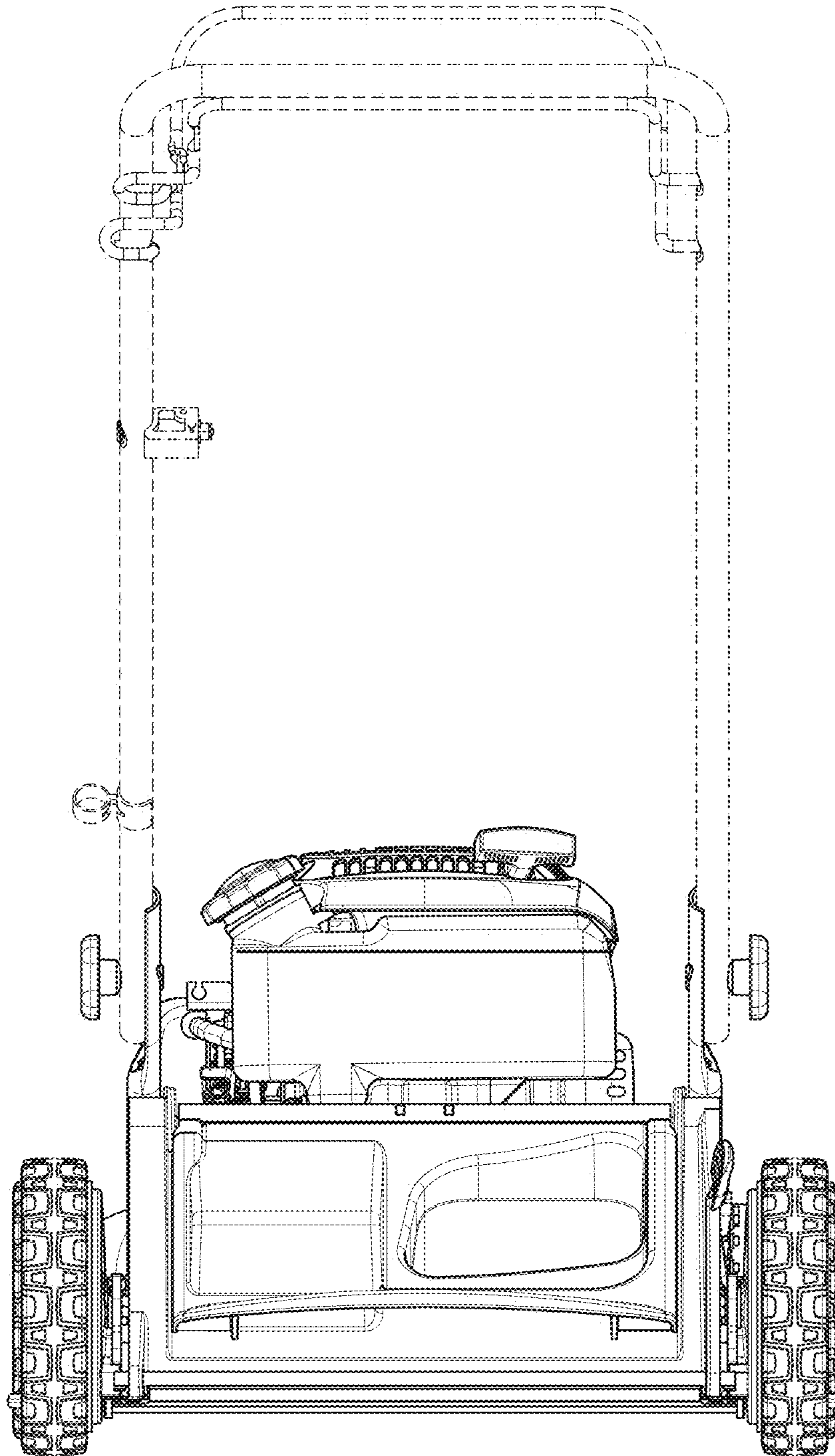


Fig. 4

*Fig. 5*



*Fig. 6*





*Fig. 7*

