



US00D714349S

(12) **United States Design Patent**
Swanson et al.

(10) **Patent No.:** **US D714,349 S**

(45) **Date of Patent:** **** Sep. 30, 2014**

(54) **ADAPTER FOR A MODULAR VISCOUS FAN CLUTCH SYSTEM**

(56) **References Cited**

U.S. PATENT DOCUMENTS

(71) Applicant: **Kit Masters**, Perham, MN (US)

D372,419 S * 8/1996 Ikegami D8/382

6,056,098 A * 5/2000 Brown et al. 192/58.61

(72) Inventors: **Craig Swanson**, Perham, MN (US);
Dale Scherman, Perham, MN (US)

7,273,412 B1 * 9/2007 Sun et al. 451/508

D653,523 S * 2/2012 Wackwitz et al. D8/354

* cited by examiner

(73) Assignee: **Kit Masters**, Perham, MN (US)

Primary Examiner — T. Chase Nelson

Assistant Examiner — Ania Aman

(**) Term: **14 Years**

(74) *Attorney, Agent, or Firm* — Oblon, Spivak,
McClelland, Maier & Neustadt, L.L.P.

(21) Appl. No.: **29/475,488**

(57) **CLAIM**

(22) Filed: **Dec. 3, 2013**

The ornamental design for an adapter for a modular viscous fan clutch system, as shown and described.

Related U.S. Application Data

DESCRIPTION

(63) Continuation of application No. 13/843,703, filed on Mar. 15, 2013.

(51) **LOC (10) Cl.** **15-01**

(52) **U.S. Cl.**
USPC **D15/5**

(58) **Field of Classification Search**

USPC D15/1-6, 148; D8/330, 331, 382, 387,
D8/396; 123/41.12; 192/82 T, 84 C, 58.61,
192/58.8; 476/11; 29/592.1, 889.1, 889.3,
29/402.09, 804.08, 402.12, 402.14, 469,
29/428; 74/325

FIG. 1 is a perspective view of an adapter for a modular viscous fan clutch system;

FIG. 2 is a front elevational view thereof;

FIG. 3 is a rear elevational view thereof;

FIG. 4 is a left side elevational view thereof, the right side elevational view thereof being a mirror image of the left side elevational view;

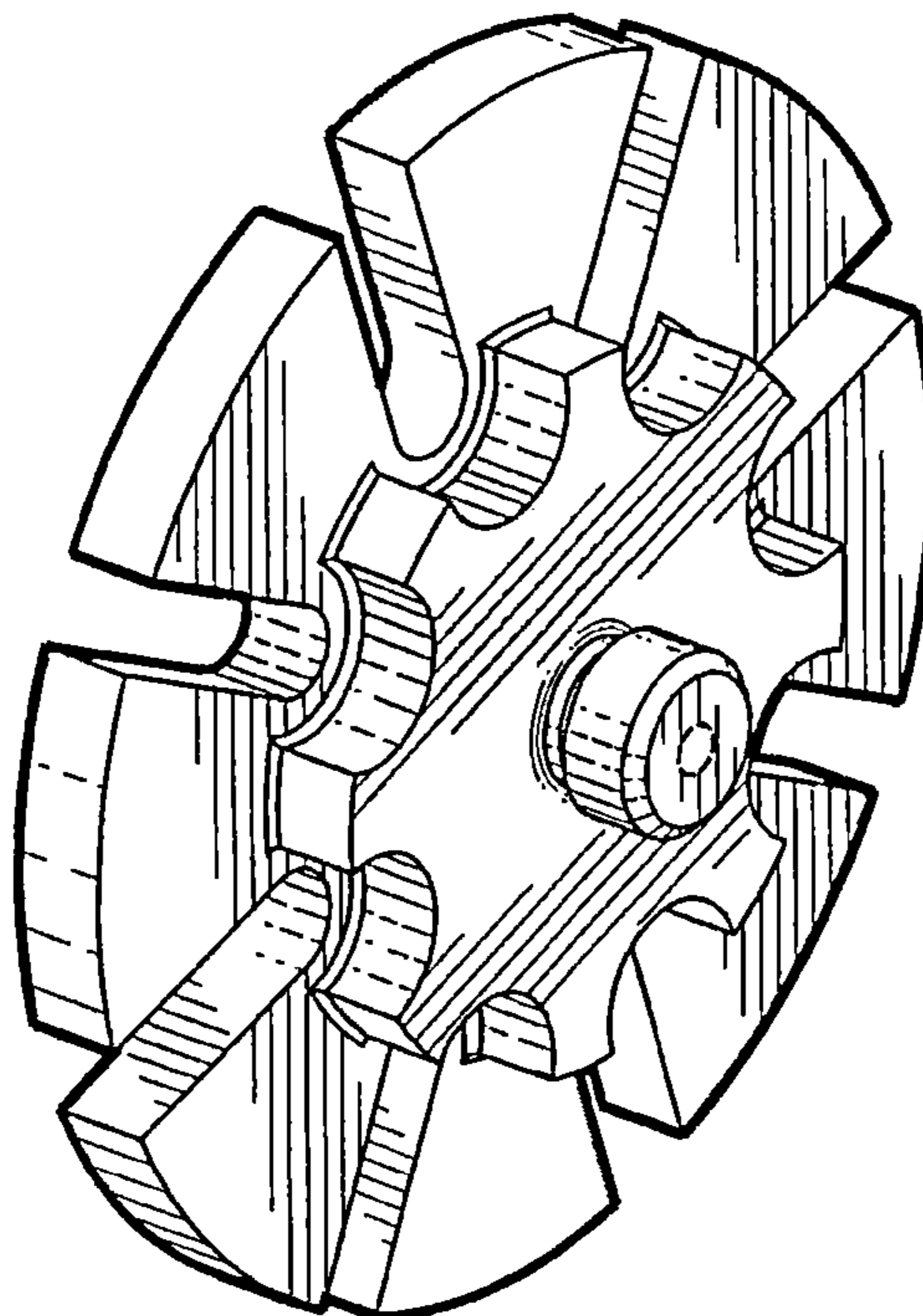
FIG. 5 is a top plan view thereof, the bottom plan view thereof being a mirror image of the top plan view; and,

FIG. 6 is a cross-sectional view thereof along the line 6-6 in FIG. 2.

The broken lines in the drawings depict environmental subject matter only and form no part of the claimed design.

See application file for complete search history.

1 Claim, 6 Drawing Sheets



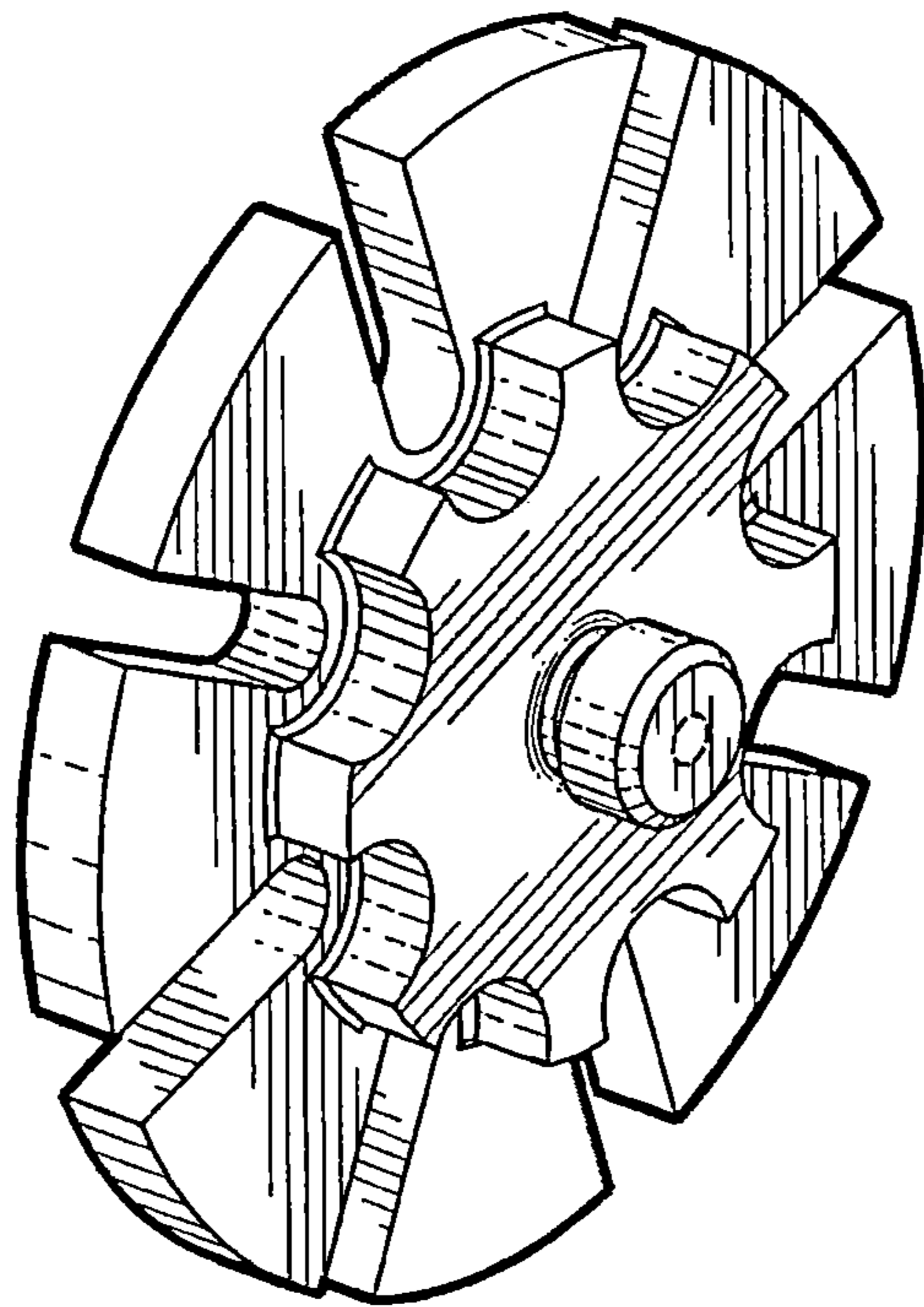


Fig. 1

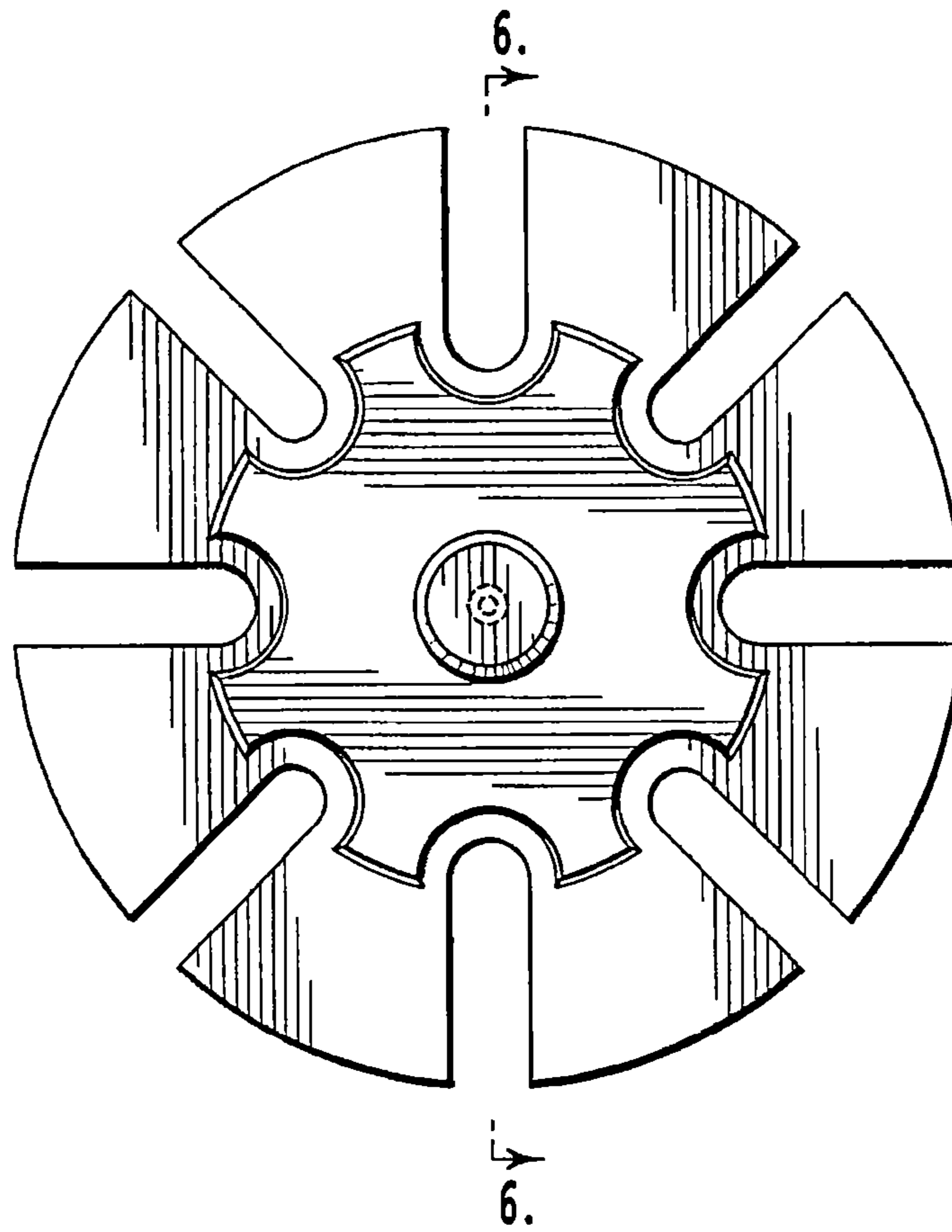


Fig. 2

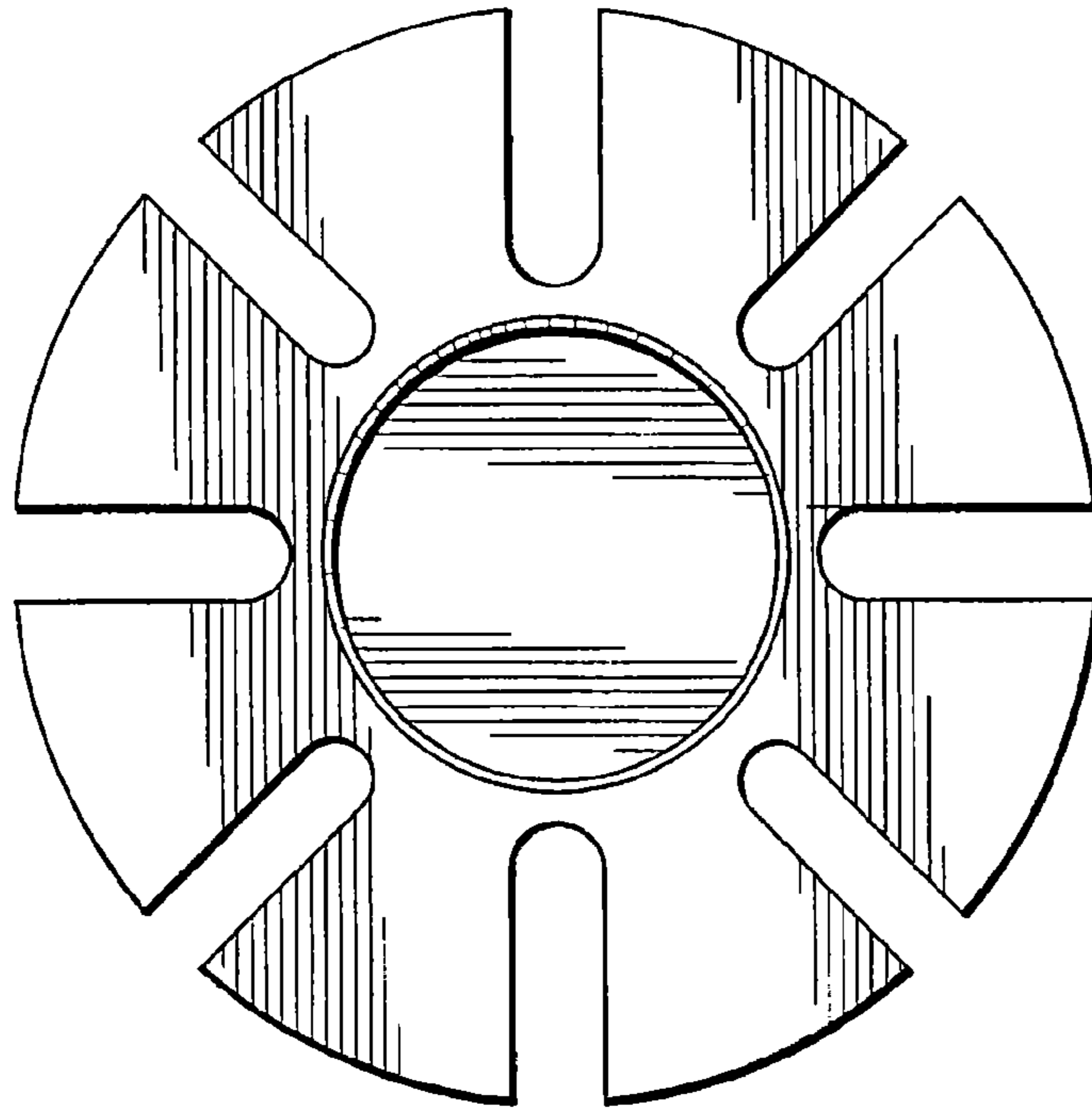


Fig. 3

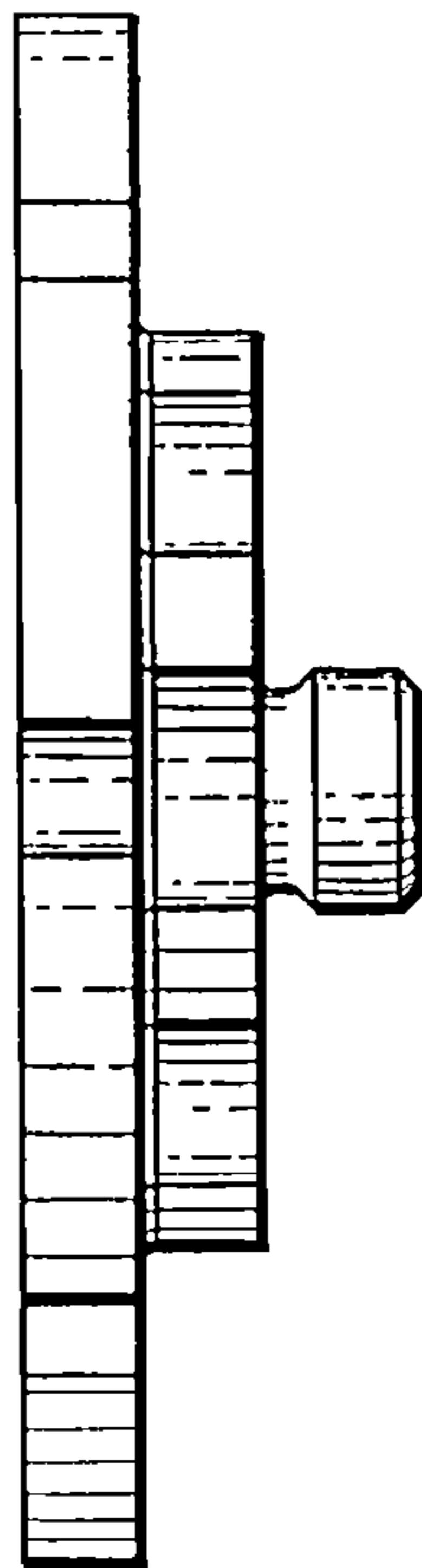


Fig. 4

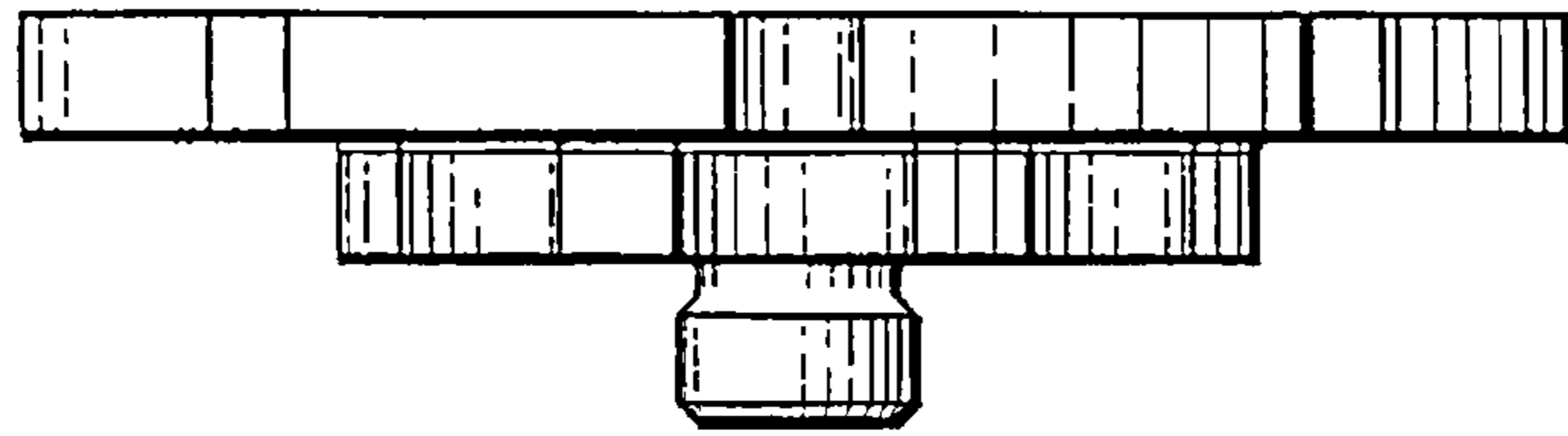


Fig. 5

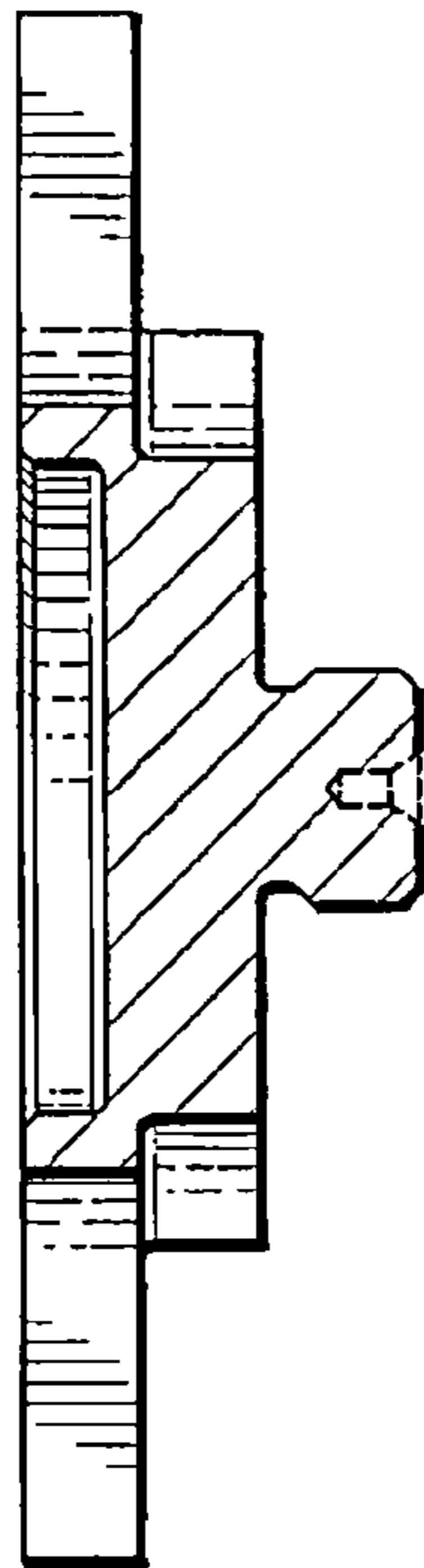


Fig. 6

UNITED STATES PATENT AND TRADEMARK OFFICE
CERTIFICATE OF CORRECTION

PATENT NO. : D714,349 S
APPLICATION NO. : 29/475488
DATED : September 30, 2014
INVENTOR(S) : Craig Swanson et al.

Page 1 of 1

It is certified that error appears in the above-identified patent and that said Letters Patent is hereby corrected as shown below:

On the title page, Item (63), The Related U.S. Application Data Information is incorrect. Item (63) should read:

-- Related U.S. Application Data

(63) Continuation of application No. 13/843,703,
filed on Mar. 15, 2013, now Pat. No. 8,745,867,
which claims benefit of 61/752,067, filed on Jan. 14, 2013
and claims benefit of 61/754,728, filed on Jan. 21, 2013 --

Signed and Sealed this
Thirty-first Day of March, 2015



Michelle K. Lee
Director of the United States Patent and Trademark Office