



US00D714347S

(12) **United States Design Patent**  
**Swanson et al.**

(10) **Patent No.:** **US D714,347 S**  
(45) **Date of Patent:** **\*\* Sep. 30, 2014**

(54) **ADAPTER FOR A MODULAR VISCOUS FAN CLUTCH SYSTEM**

(71) Applicant: **Kit Masters**, Perham, MN (US)

(72) Inventors: **Craig Swanson**, Perham, MN (US);  
**Dale Scherman**, Perham, MN (US)

(73) Assignee: **Kit Masters**, Perham, MN (US)

(\*\*) Term: **14 Years**

(21) Appl. No.: **29/467,163**

(22) Filed: **Sep. 16, 2013**

**Related U.S. Application Data**

(63) Continuation of application No. 13/843,703, filed on Mar. 15, 2013.

(51) **LOC (10) Cl.** ..... **15-01**

(52) **U.S. Cl.**  
USPC ..... **D15/5**

(58) **Field of Classification Search**

USPC ..... D15/1-6, 148; D8/330, 331, 382, 387, D8/396; 123/41.12; 192/82 T, 84 C, 58.61, 192/58.8; 476/11; 29/592.1, 889.1, 889.3, 29/402.09, 804.08, 402.12, 402.14, 469, 29/428; 74/325

See application file for complete search history.

(56) **References Cited**

**U.S. PATENT DOCUMENTS**

D372,419 S \* 8/1996 Ikegami ..... D8/382  
6,056,098 A \* 5/2000 Brown et al. .... 192/58.61  
7,273,412 B1 \* 9/2007 Sun et al. .... 451/508  
D653,523 S \* 2/2012 Wackwitz et al. .... D8/354

**OTHER PUBLICATIONS**

U.S. Appl. No. 29/467,160, filed Sep. 16, 2013, Swanson, et al.  
U.S. Appl. No. 29/467,162, filed Sep. 16, 2013, Swanson, et al.  
U.S. Appl. No. 29/467,165, filed Sep. 16, 2013, Swanson, et al.  
U.S. Appl. No. 29/467,164, filed Sep. 16, 2013, Swanson, et al.  
U.S. Appl. No. 29/467,167, filed Sep. 16, 2013, Swanson, et al.  
U.S. Appl. No. 29/467,156, filed Sep. 16, 2013, Swanson, et al.  
U.S. Appl. No. 29/467,151, filed Sep. 16, 2013, Swanson, et al.  
U.S. Appl. No. 29/467,154, filed Sep. 16, 2013, Swanson, et al.  
U.S. Appl. No. 29/467,161, filed Sep. 16, 2013, Swanson, et al.

\* cited by examiner

*Primary Examiner* — T. Chase Nelson

*Assistant Examiner* — Ania Aman

(74) *Attorney, Agent, or Firm* — Oblon, Spivak, McClelland, Maier & Neustadt, L.L.P.

(57) **CLAIM**

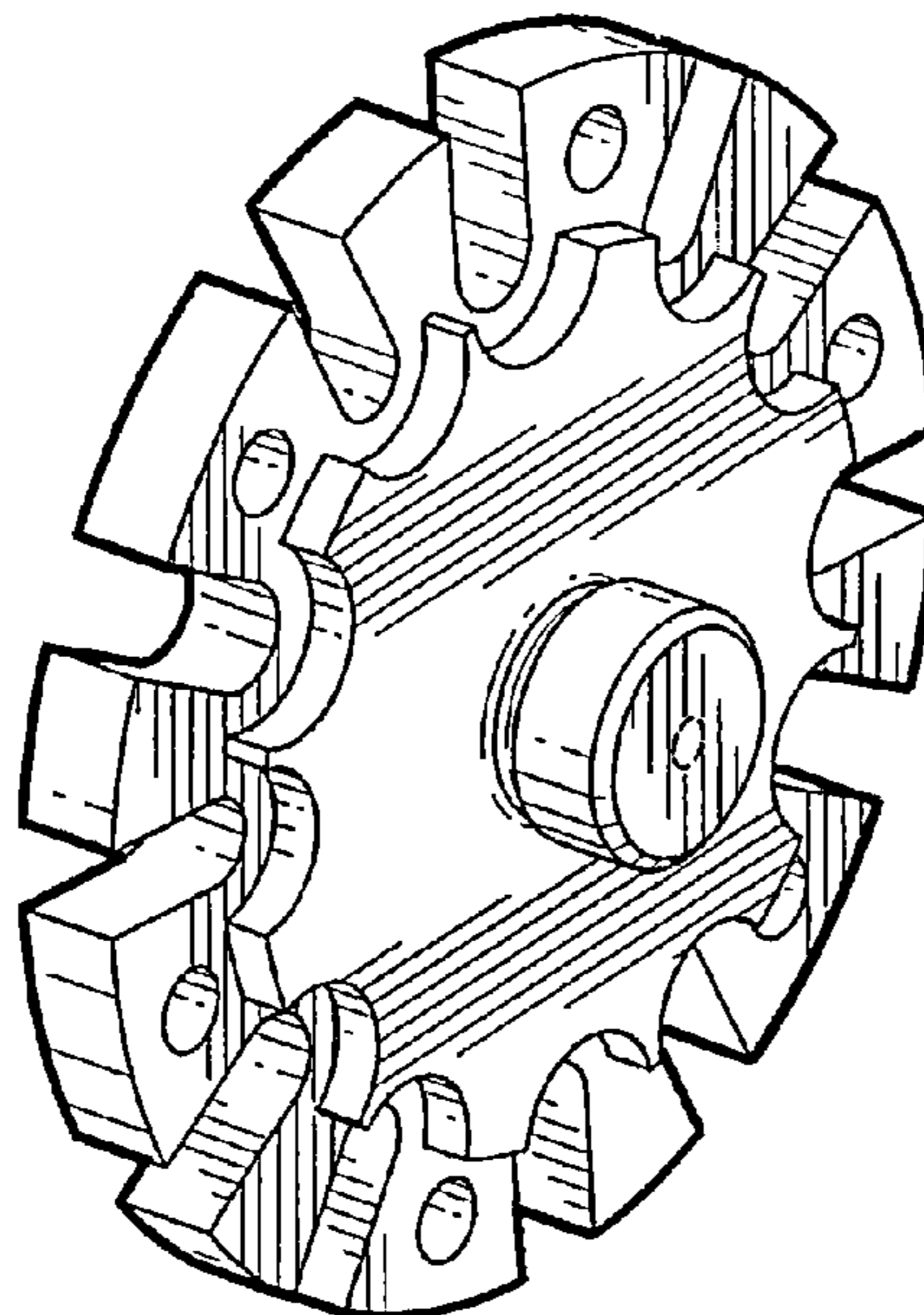
The ornamental design for an adapter for a modular viscous fan clutch system, as shown and described.

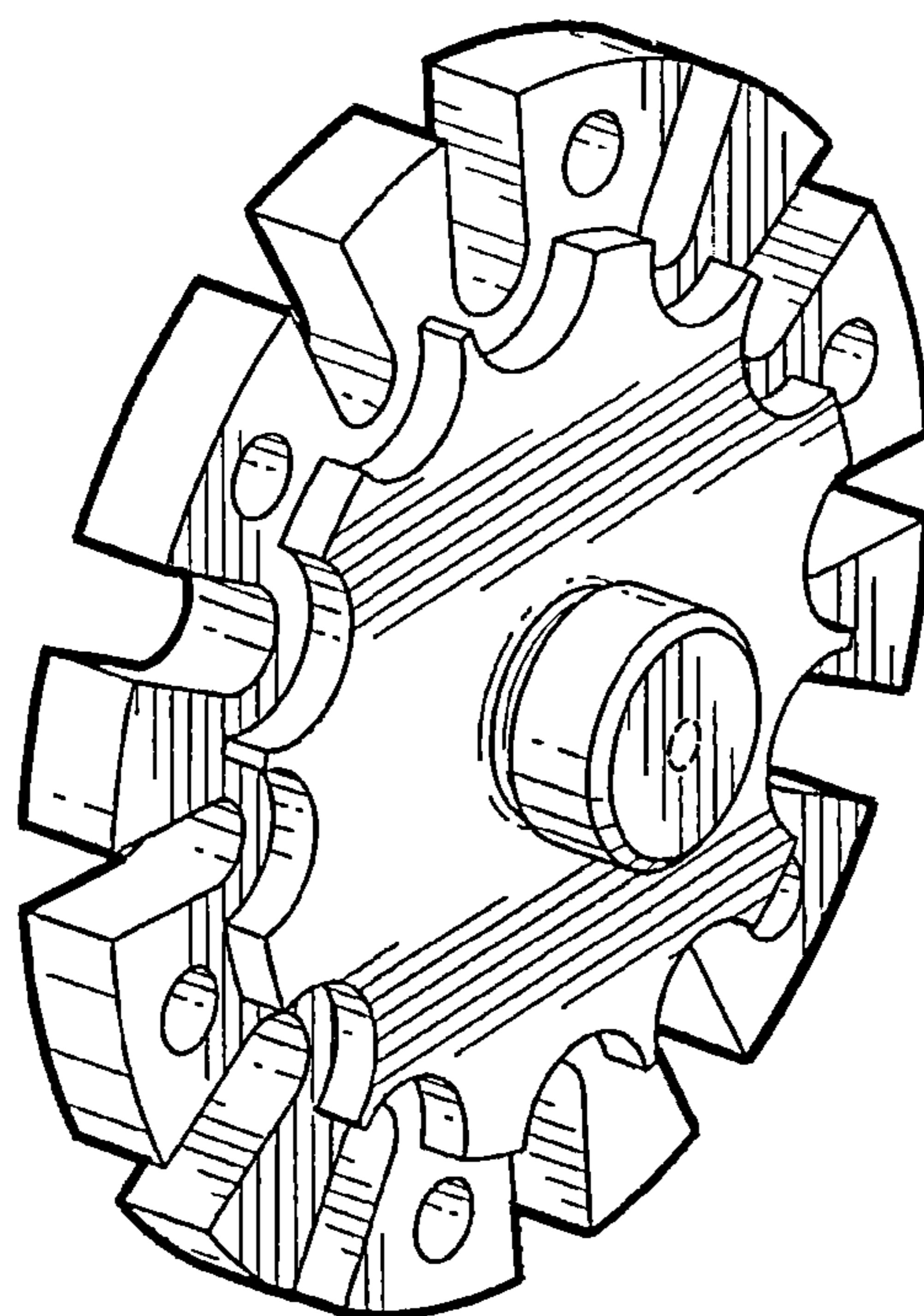
**DESCRIPTION**

FIG. 1 is a perspective view of an adapter for a modular viscous fan clutch system;  
FIG. 2 is a front elevational view thereof;  
FIG. 3 is a rear elevational view thereof;  
FIG. 4 is a left side elevational view thereof;  
FIG. 5 is a right side elevational view thereof;  
FIG. 6 is a top plan view thereof;  
FIG. 7 is a bottom plan view thereof; and,  
FIG. 8 is a cross-sectional view thereof along the line 8-8 in FIG. 2.

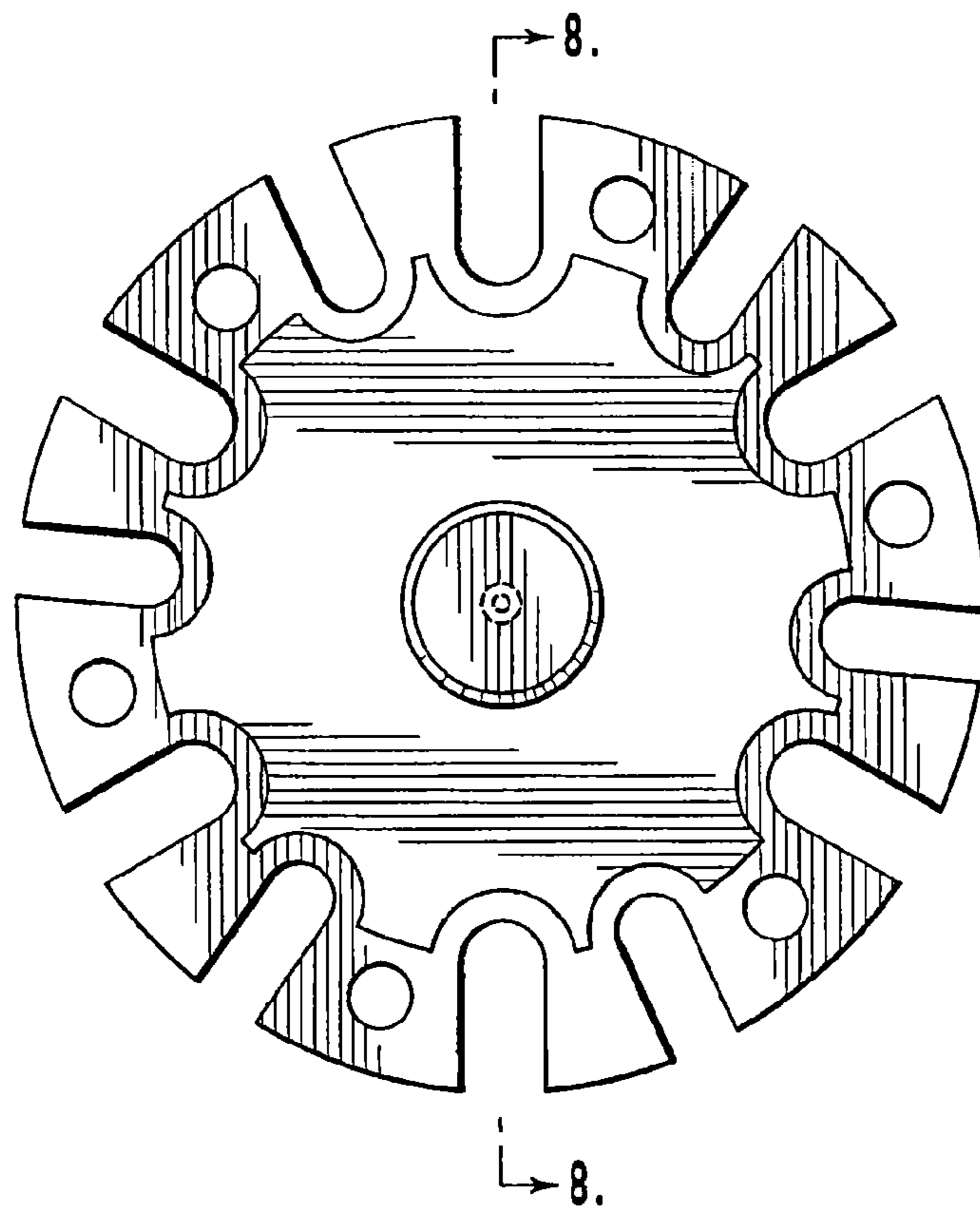
The broken lines in the drawings depict environmental subject matter only and form no part of the claimed design.

**1 Claim, 8 Drawing Sheets**

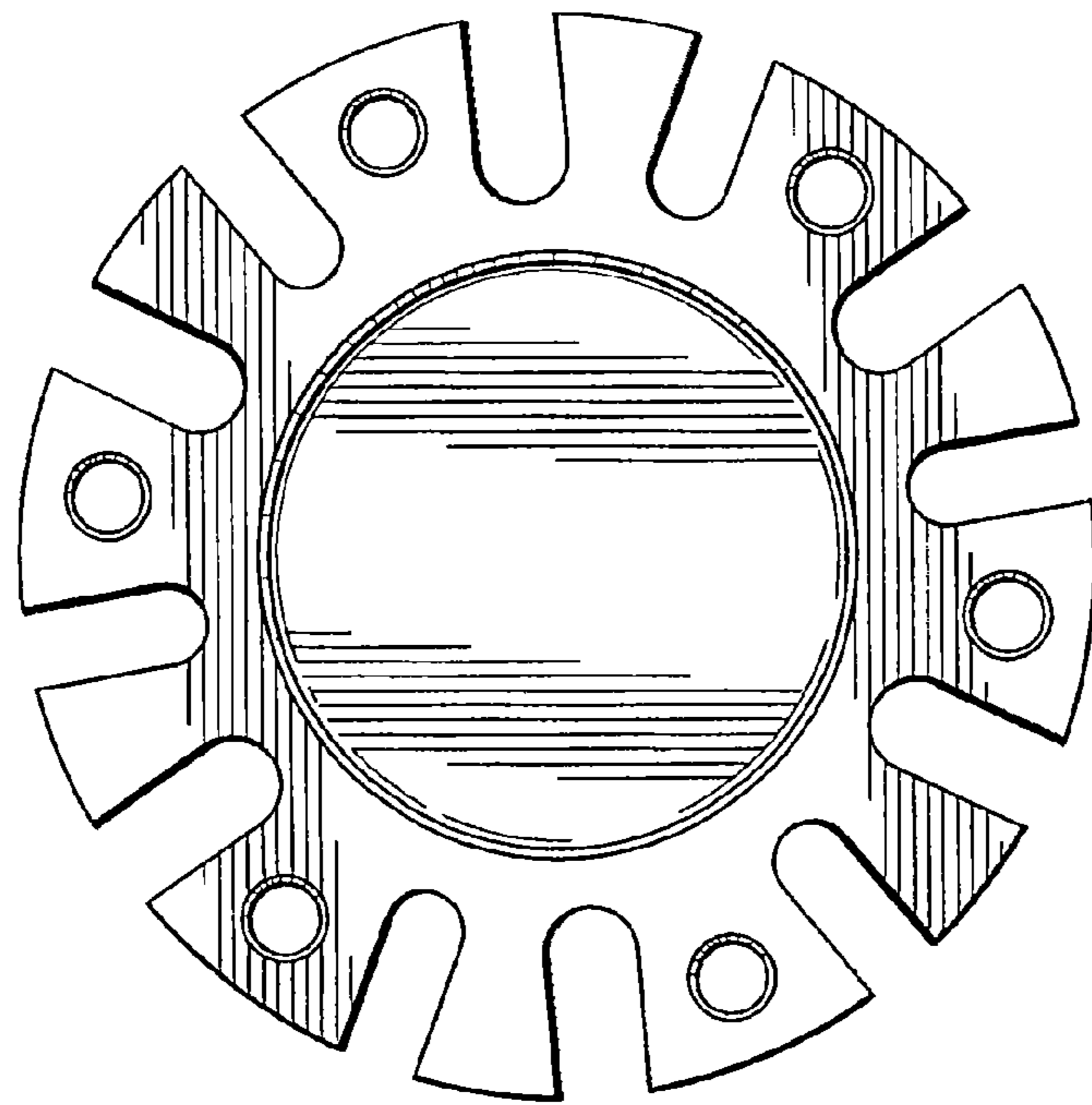




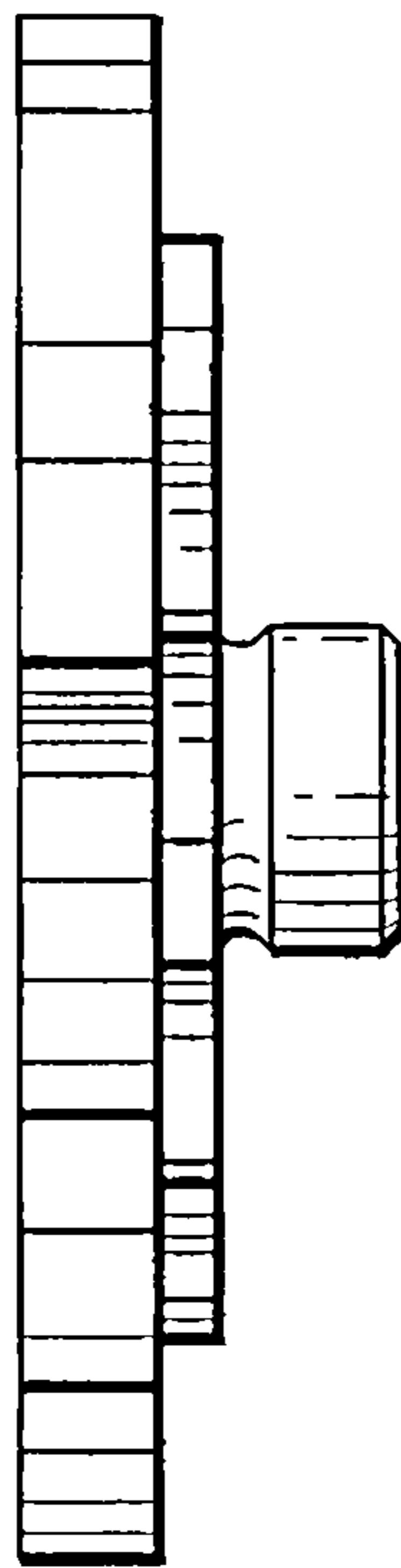
*Fig. 1*



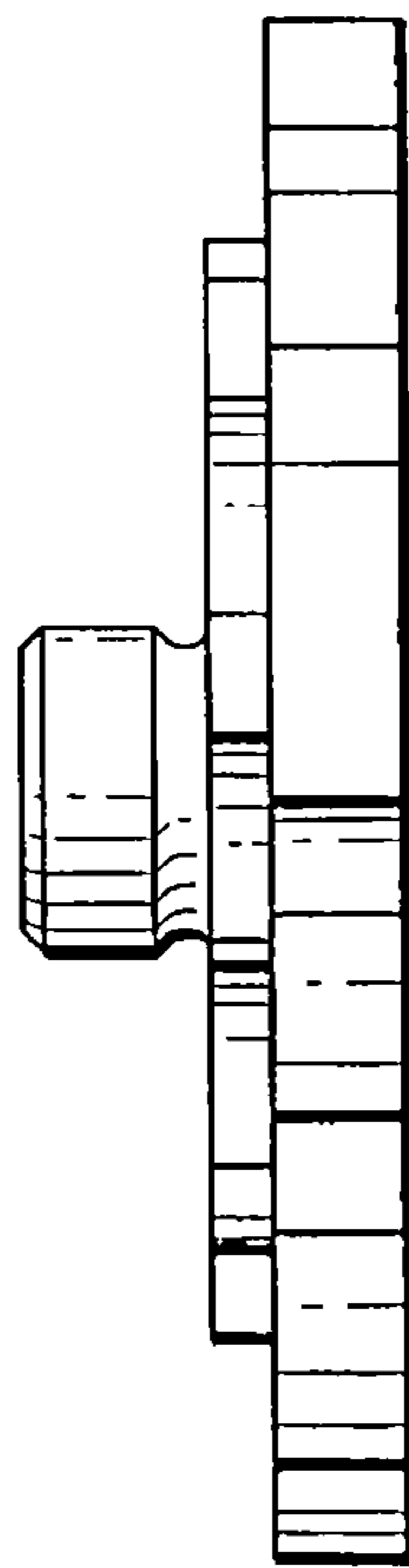
***Fig. 2***



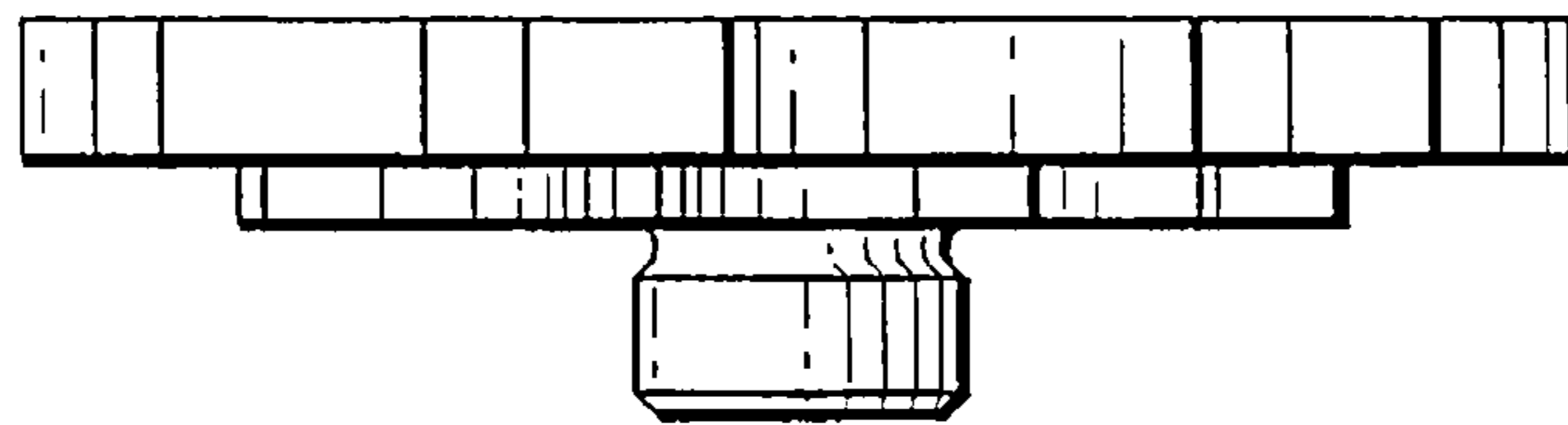
*Fig. 3*



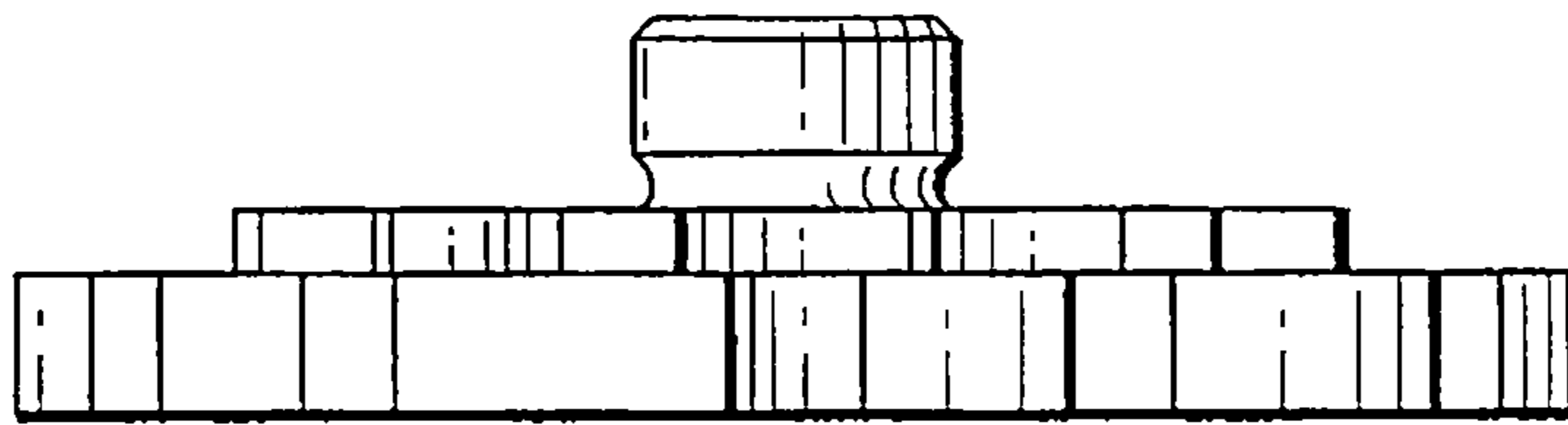
*Fig. 4*



*Fig. 5*

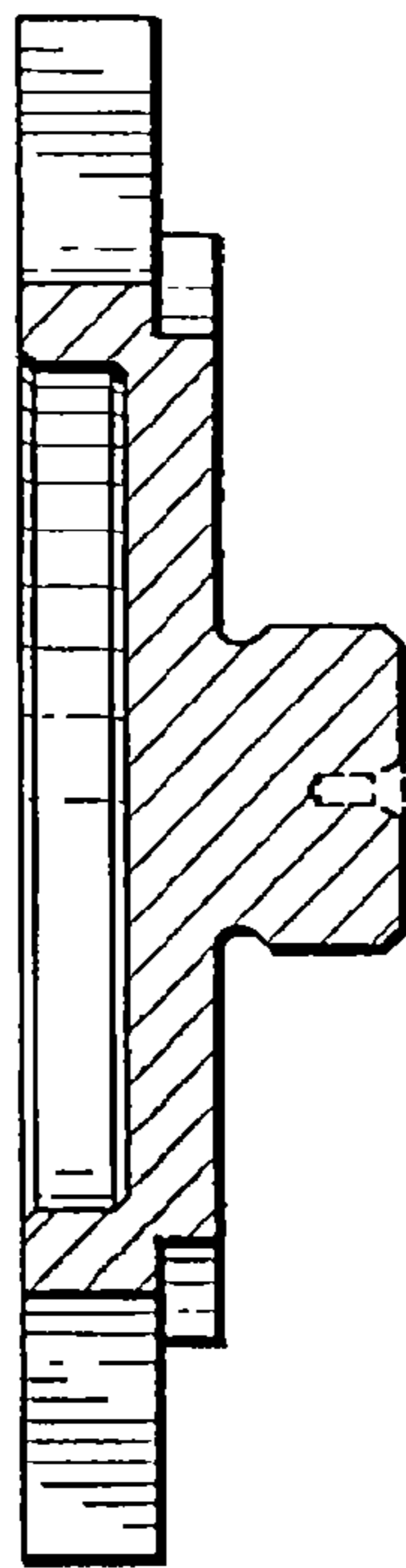


*Fig. 6*



*Fig. 7*





*Fig. 8*

UNITED STATES PATENT AND TRADEMARK OFFICE  
**CERTIFICATE OF CORRECTION**

PATENT NO. : D714,347 S  
APPLICATION NO. : 29/467163  
DATED : September 30, 2014  
INVENTOR(S) : Craig Swanson et al.

Page 1 of 1

It is certified that error appears in the above-identified patent and that said Letters Patent is hereby corrected as shown below:

On the title page, Item (63), the Related U.S. Application Data Information is incorrect. Item (63) should read:

**--Related U.S. Application Data**

- (63) Continuation of application No. 13/843,703,  
filed on Mar. 15, 2013, now Pat. No. 8,745,867,  
which claims benefit of 61/752,067, filed on Jan. 14, 2013  
and claims benefit of 61/754,728, filed on Jan. 21, 2013--

Signed and Sealed this  
Tenth Day of February, 2015



Michelle K. Lee  
*Deputy Director of the United States Patent and Trademark Office*