



US00D714317S

(12) **United States Design Patent**  
**Pereira**

(10) **Patent No.:** **US D714,317 S**  
(45) **Date of Patent:** **\*\* Sep. 30, 2014**

(54) **DISPLAY SCREEN WITH GRAPHICAL USER INTERFACE**

(71) Applicant: **Microsoft Corporation**, Redmond, WA (US)

(72) Inventor: **Charla Pereira**, Seattle, WA (US)

(73) Assignee: **Microsoft Corporation**, Redmond, WA (US)

(\*\*) Term: **14 Years**

(21) Appl. No.: **29/453,576**

(22) Filed: **Apr. 30, 2013**

(51) **LOC (10) Cl.** ..... **14-04**

(52) **U.S. Cl.**  
USPC ..... **D14/485**

(58) **Field of Classification Search**  
USPC ..... D14/485-495; 715/835, 856, 769, 837,  
715/775, 840, 810, 834; 345/594, 589, 601,  
345/604

See application file for complete search history.

(56) **References Cited**

U.S. PATENT DOCUMENTS

D270,271 S *	8/1983	Steele	.....	D18/27
D295,877 S *	5/1988	Wells-Papanek et al.	...	D14/492
D296,339 S *	6/1988	Wells-Papanek et al.	...	D14/487
5,420,607 A *	5/1995	Miller et al.	.....	345/156
5,689,286 A *	11/1997	Wugofski	.....	715/835
5,701,424 A *	12/1997	Atkinson	.....	715/808
D396,455 S *	7/1998	Bier	.....	D14/489
5,903,255 A *	5/1999	Busch et al.	.....	345/594
5,943,039 A *	8/1999	Anderson et al.	.....	715/810
6,081,253 A *	6/2000	Luke et al.	.....	345/604
D461,822 S *	8/2002	Okuley	.....	D14/489
D474,197 S *	5/2003	Nguyen	.....	D14/486
D477,608 S *	7/2003	Schmitt	.....	D14/489
6,597,376 B1 *	7/2003	Windrem	.....	715/726

D479,846 S *	9/2003	Kreikemeier et al.	.....	D14/486
D486,489 S *	2/2004	Roberts	.....	D14/399
D493,177 S *	7/2004	Retuta et al.	.....	D14/486
6,775,659 B2 *	8/2004	Clifton-Bligh	.....	1/1
D505,135 S *	5/2005	Sapp et al.	.....	D14/489
D507,002 S *	7/2005	Retuta et al.	.....	D14/486
D511,524 S *	11/2005	Retuta et al.	.....	D14/486
D523,441 S *	6/2006	Sapp et al.	.....	D14/486
D531,635 S *	11/2006	Hoefnagels et al.	.....	D14/485
D534,541 S *	1/2007	Retuta et al.	.....	D14/486
D534,915 S *	1/2007	Retuta et al.	.....	D14/486
D534,919 S *	1/2007	Gusmorino et al.	.....	D14/492
7,180,524 B1 *	2/2007	Axelrod	.....	345/593
D545,324 S *	6/2007	Decombe	.....	D14/485
D549,235 S *	8/2007	Curato et al.	.....	D14/492
D554,659 S *	11/2007	Hoover et al.	.....	D14/487
D554,660 S *	11/2007	Hoover et al.	.....	D14/487

(Continued)

OTHER PUBLICATIONS

William Baxter and Naga Govindaraju, Simple Data-Driven Modeling of Brushes, published Feb. 2010, by Association for Computing Machinery, Inc., USA [online]. [retrieved Jul. 16, 2013]. Retrieved from Internet, URL: <<http://research.microsoft.com/apps/pubs/default.aspx?id=120512>>.

(Continued)

*Primary Examiner* — Kevin Rudzinski

(74) *Attorney, Agent, or Firm* — Banner & Witcoff, Ltd.

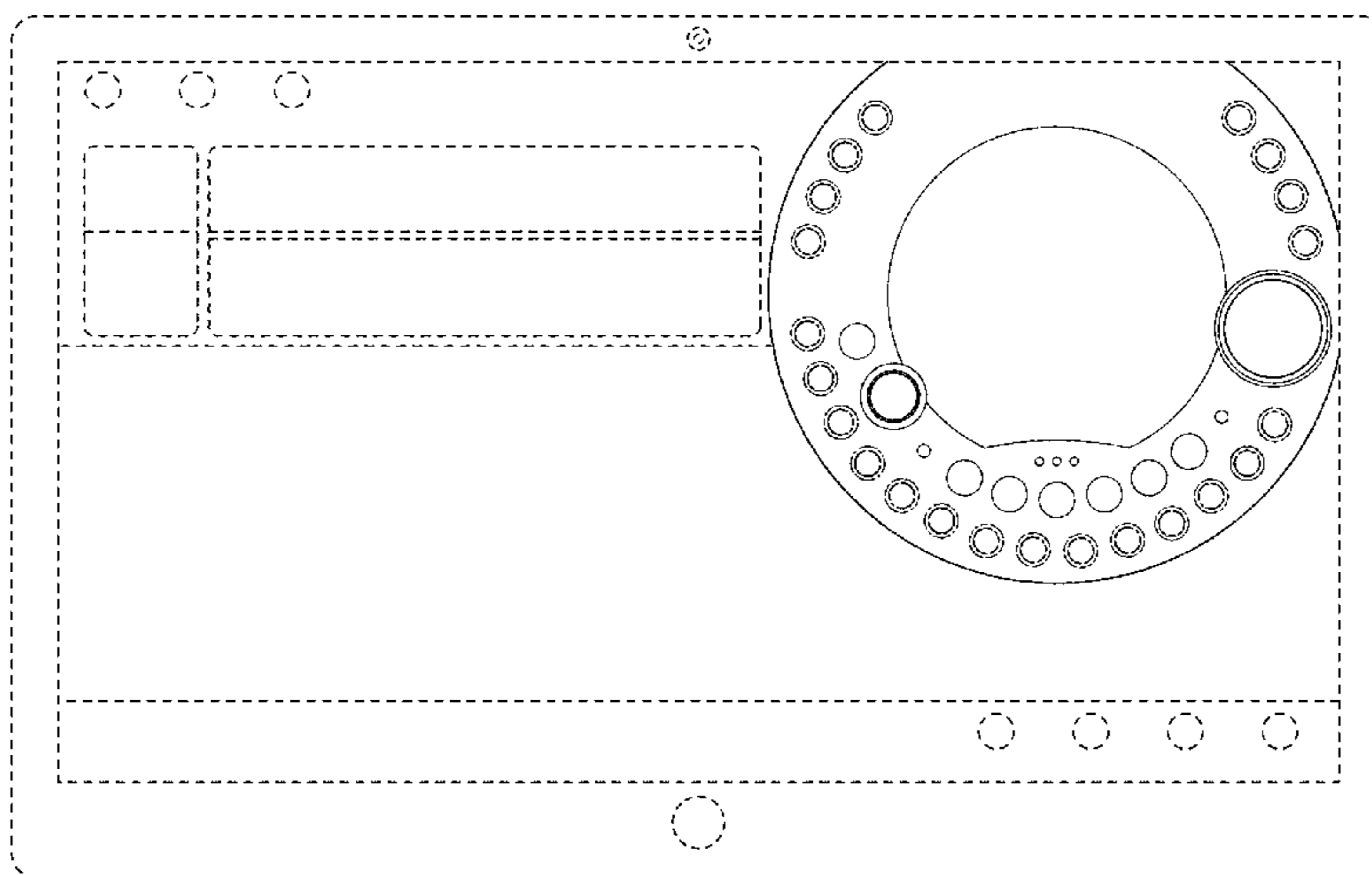
(57) **CLAIM**

The ornamental design for a display screen with graphical user interface, as shown and described.

**DESCRIPTION**

The FIGURE is a front view of a display screen with graphical user interface showing my new design. The broken line showing of the remainder of the user interface and display screen is for environmental purposes only and forms no part of the claimed design.

**1 Claim, 1 Drawing Sheet**



(56)

References Cited

U.S. PATENT DOCUMENTS

D554,661 S \* 11/2007 Hoover et al. .... D14/487  
 D554,662 S \* 11/2007 Hoover et al. .... D14/487  
 D563,972 S \* 3/2008 Sherry ..... D14/487  
 D574,389 S \* 8/2008 Armendariz et al. .... D14/486  
 D574,395 S \* 8/2008 Loretan et al. .... D14/487  
 D588,154 S \* 3/2009 Bouchard et al. .... D14/489  
 D590,415 S \* 4/2009 Ball et al. .... D14/486  
 D590,838 S \* 4/2009 Bisig et al. .... D14/492  
 D591,305 S \* 4/2009 Shimoda ..... D14/485  
 D593,126 S \* 5/2009 Danton ..... D14/489  
 D593,575 S \* 6/2009 Ball et al. .... D14/486  
 D593,576 S \* 6/2009 Ball et al. .... D14/486  
 D602,945 S \* 10/2009 Watanabe et al. .... D14/489  
 D607,007 S \* 12/2009 Kocmick ..... D14/489  
 D607,895 S \* 1/2010 Marashi ..... D14/486  
 D609,714 S \* 2/2010 Oda et al. .... D14/485  
 D615,986 S \* 5/2010 Jasinski ..... D14/485  
 D619,593 S \* 7/2010 Fujioka et al. .... D14/485  
 D619,614 S \* 7/2010 O'Mullan et al. .... D14/489  
 D624,926 S \* 10/2010 Allen et al. .... D14/485  
 D625,328 S \* 10/2010 Fitzmaurice et al. .... D14/489  
 D626,131 S \* 10/2010 Kruzeniski et al. .... D14/485  
 D626,144 S \* 10/2010 Vandeberghe et al. .... D14/492  
 D629,416 S \* 12/2010 Weir et al. .... D14/486  
 D630,647 S \* 1/2011 Wilson ..... D14/487  
 D635,987 S \* 4/2011 Mays et al. .... D14/487  
 D636,780 S \* 4/2011 Musleh ..... D14/486  
 7,941,765 B2 \* 5/2011 Fleck et al. .... 715/834  
 D644,243 S \* 8/2011 Matas ..... D14/489  
 8,006,198 B2 \* 8/2011 Okuma et al. .... 715/810  
 D644,656 S \* 9/2011 Maitlen et al. .... D14/489  
 D645,470 S \* 9/2011 Matas ..... D14/489  
 D645,874 S \* 9/2011 Cavanaugh et al. .... D14/488  
 8,013,869 B2 \* 9/2011 Voliter et al. .... 345/591  
 D649,975 S \* 12/2011 Schneider ..... D14/489  
 D650,392 S \* 12/2011 Glezer et al. .... D14/486  
 D654,925 S \* 2/2012 Nishizawa et al. .... D14/488  
 D667,021 S \* 9/2012 MacKenzie et al. .... D14/486  
 D667,424 S \* 9/2012 Lee et al. .... D14/488  
 D668,673 S \* 10/2012 Molino et al. .... D14/489  
 D680,130 S \* 4/2013 Khan et al. .... D14/486  
 D681,669 S \* 5/2013 Phelan ..... D14/489

D682,304 S \* 5/2013 Mierau et al. .... D14/488  
 D682,305 S \* 5/2013 Mierau et al. .... D14/488  
 D684,585 S \* 6/2013 Plesnicher et al. .... D14/486  
 D684,586 S \* 6/2013 Plesnicher et al. .... D14/486  
 D690,728 S \* 10/2013 Brinda ..... D14/488  
 D691,171 S \* 10/2013 Brinda et al. .... D14/488  
 D693,363 S \* 11/2013 Bates et al. .... D14/488  
 D694,773 S \* 12/2013 Sakaguchi et al. .... D14/486  
 D696,266 S \* 12/2013 d'Amore et al. .... D14/485  
 D697,071 S \* 1/2014 Brinda ..... D14/485  
 D698,817 S \* 2/2014 Laverack et al. .... D14/489  
 D699,747 S \* 2/2014 Pearson et al. .... D14/488  
 D700,207 S \* 2/2014 Pearson et al. .... D14/488  
 D701,231 S \* 3/2014 Lee ..... D14/486  
 D702,707 S \* 4/2014 Kotler et al. .... D14/487  
 D703,233 S \* 4/2014 Robertson ..... D14/492  
 D703,693 S \* 4/2014 Brinda et al. .... D14/488  
 D704,204 S \* 5/2014 Rydenhag ..... D14/486  
 D704,213 S \* 5/2014 Agnew ..... D14/487  
 D704,734 S \* 5/2014 Wafapoor ..... D14/489  
 D705,794 S \* 5/2014 Ranz et al. .... D14/486  
 2002/0145623 A1 \* 10/2002 Decombe ..... 345/734  
 2005/0251760 A1 \* 11/2005 Sato et al. .... 715/856  
 2007/0094597 A1 \* 4/2007 Rostom ..... 715/700  
 2010/0251181 A1 \* 9/2010 Lal ..... 715/834  
 2013/0019182 A1 \* 1/2013 Gil et al. .... 715/738  
 2013/0019208 A1 \* 1/2013 Kotler et al. .... 715/835

OTHER PUBLICATIONS

Nelson Chu et al., Detail Preserving Paint Modeling for 3D Brushes, published Jun. 7, 2010, by Association for Computing Machinery, Inc., USA [online]. [retrieved Jul. 16, 2013]. Retrieved from Internet, URL: <<http://research.microsoft.com/apps/pubs/default.aspx?id=121930>>.  
 Project Gustav: Immersive Digital Painting, published Mar. 2, 2010, by Microsoft Corporation, Redmond, WA, USA [online]. [retrieved Jul. 16, 2013]. Retrieved from Internet, URL: <<http://research.microsoft.com/en-us/projects/gustav/default.aspx>>.  
 Screenshots of Microsoft Paint program, published by Microsoft Corporation, Redmond, WA, USA. Print date Jul. 16, 2013. Date released unknown, but prior to the filing of the present application.

\* cited by examiner

