



US00D714303S

(12) **United States Design Patent**  
**Fujioka**

(10) **Patent No.:** **US D714,303 S**  
(45) **Date of Patent:** **\*\* Sep. 30, 2014**

(54) **PAPER STAND**

(71) Applicant: **Robb Fujioka**, Manhattan Beach, CA  
(US)

(72) Inventor: **Robb Fujioka**, Manhattan Beach, CA  
(US)

(\*\*) Term: **14 Years**

(21) Appl. No.: **29/482,087**

(22) Filed: **Feb. 13, 2014**

(51) **LOC (10) Cl.** ..... **08-03**

(52) **U.S. Cl.**  
USPC ..... **D14/447**

(58) **Field of Classification Search**

CPC ..... G09F 2003/0266; G09F 2001/085;  
G09F 5/00; G09F 1/10; G09F 1/08; A47B  
2097/005; A47B 2097/006; A47B 21/04;  
A47B 2021/00; A47B 23/00; A47B 23/043;  
A47B 2021/0314; A47B 2021/0307; A47B  
2023/005; A47B 2023/049; F16M 13/00;  
F16M 2200/00; H04B 1/3888; H04M 1/04;  
H04M 1/185; A45C 13/002

USPC ..... D14/447, 432, 433, 434, 439, 440, 451,  
D14/452, 457, 459, 460, 461, 251, 253, 448,  
D14/449, 450; D9/433, 455, 457; D20/10,  
D20/25; D6/672, 674, 674.1, 678, 682,  
D6/682.3; 40/124.05, 124.06, 124.07,  
40/124.08, 124.09, 124.14, 124.16, 539;  
248/917-924, 445, 447.1, 451, 456,  
248/459, 460, 150, 152, 174, 188.6, 176.1;  
361/679.02, 679.09, 679.21, 679.26,  
361/679.3, 679.27, 679.55, 679.56

See application file for complete search history.

(56) **References Cited**

**U.S. PATENT DOCUMENTS**

1,656,620 A \* 1/1928 Cossenias ..... 40/539  
D118,010 S \* 12/1939 Broderick ..... D9/415

2,187,721 A \* 1/1940 Wolfson ..... 40/539  
D264,817 S \* 6/1982 Austin ..... D9/433  
D266,989 S \* 11/1982 Herwood ..... D9/457  
5,010,669 A \* 4/1991 Moran ..... 40/539  
5,317,823 A \* 6/1994 Brunt, II ..... 40/124.08  
5,564,208 A \* 10/1996 Bergman ..... 40/539  
5,592,768 A \* 1/1997 Testa ..... 40/786  
5,888,595 A \* 3/1999 Krattiger ..... 428/12  
5,983,538 A \* 11/1999 Crowell ..... 40/124.14  
D426,725 S \* 6/2000 Baharouzi ..... D6/450  
D428,736 S \* 8/2000 Aloisi ..... D6/453  
6,382,581 B1 \* 5/2002 Duff ..... 248/459  
D536,615 S \* 2/2007 Dziaba et al. .... D9/455  
7,182,305 B2 \* 2/2007 Dempsey ..... 248/459  
D537,827 S \* 3/2007 Florindo ..... D14/450  
7,418,794 B2 \* 9/2008 Kittrell, III ..... 40/124.16  
D639,814 S \* 6/2011 Farris-Gilbert et al. .... D14/447  
D643,635 S \* 8/2011 Harding ..... D6/310  
D651,213 S \* 12/2011 Magness et al. .... D14/447  
D661,310 S \* 6/2012 Belongia et al. .... D14/447

(Continued)

*Primary Examiner* — Angela J Lee

(74) *Attorney, Agent, or Firm* — Steptoe & Johnson LLP

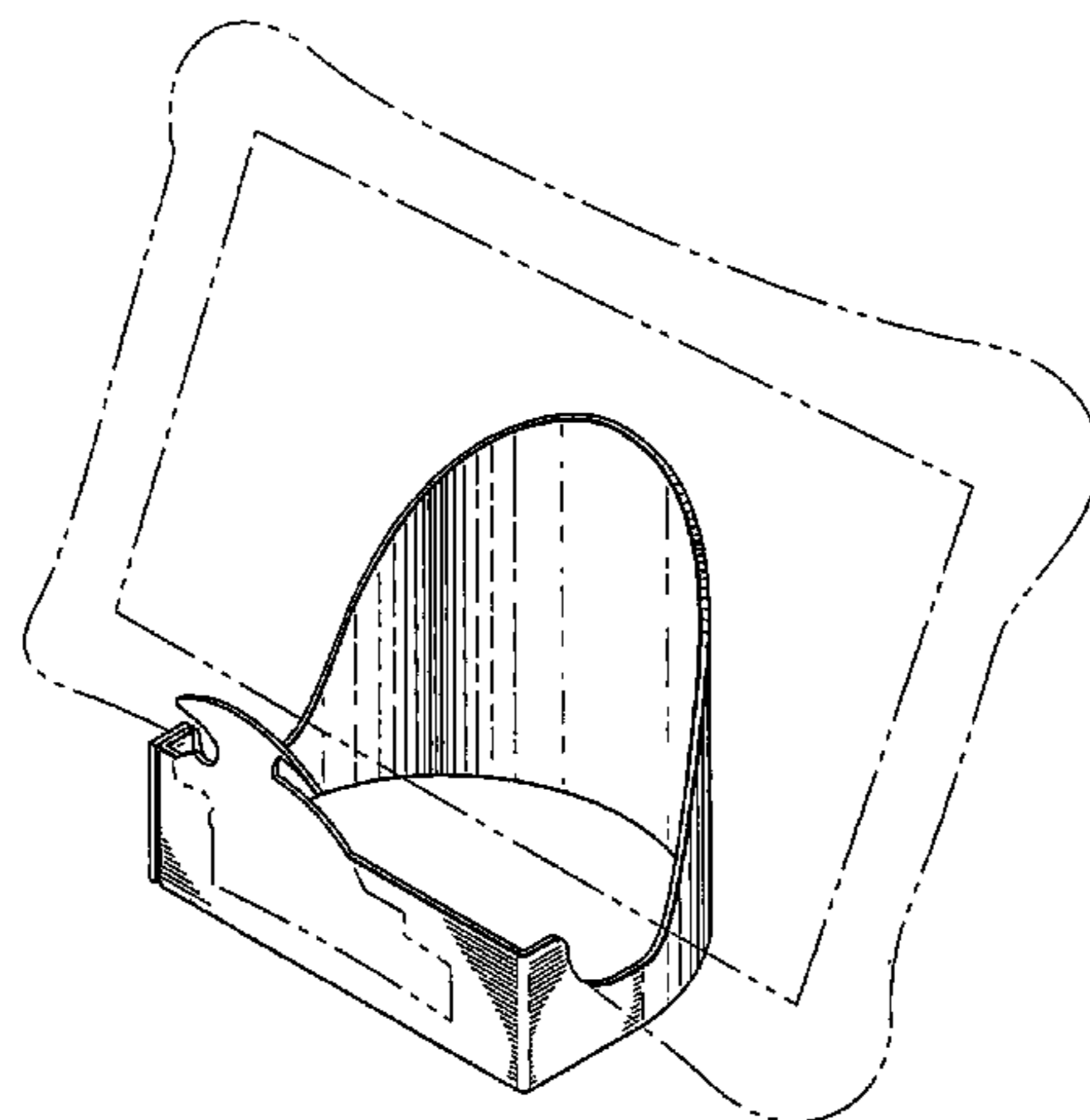
(57) **CLAIM**

The ornamental design for a paper stand, as shown and described.

**DESCRIPTION**

FIG. 1 is a top, front, ride side, perspective view of the present invention;  
FIG. 2 is front elevation view;  
FIG. 3 is a rear elevation view;  
FIG. 4 is a left side elevation view;  
FIG. 5 is a right side elevation view;  
FIG. 6 is a top plan view;  
FIG. 7 is a bottom plan view; and,  
FIG. 8 is a view of the paper stand in a flat, unfolded position. The broken lines shown in the drawings represent portions of the paper stand and a tablet that form no part of the claimed design.

**1 Claim, 3 Drawing Sheets**



# US D714,303 S

Page 2

---

(56)

## References Cited

### U.S. PATENT DOCUMENTS

D674,396 S *	1/2013	Yang et al. ....	D14/447
8,424,831 B2 *	4/2013	Lin .....	248/460
2013/0026329 A1 *	1/2013	Lane et al. ....	248/459
D667,004 S *	9/2012	Goodrich .....	D14/253

\* cited by examiner

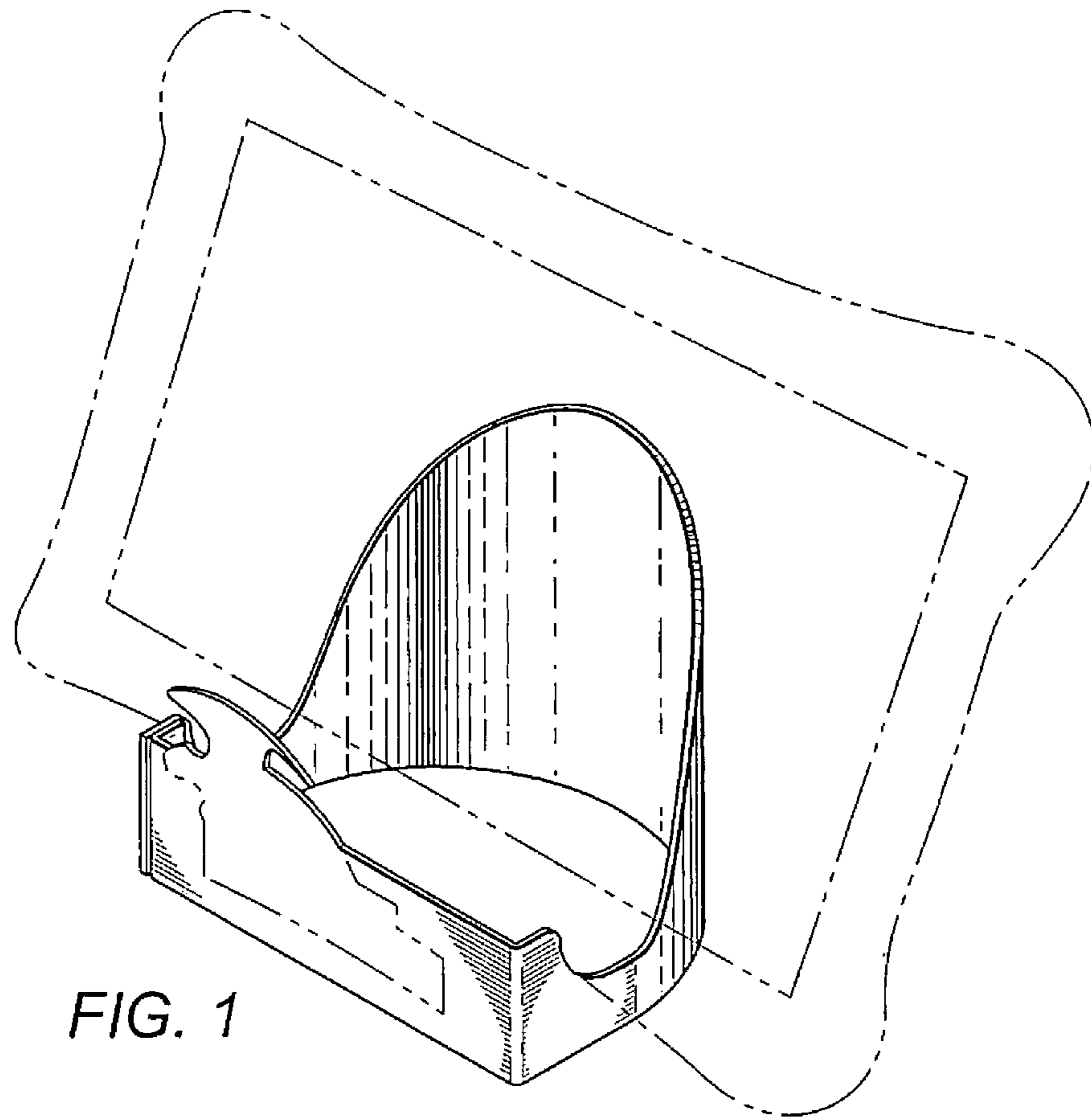


FIG. 1

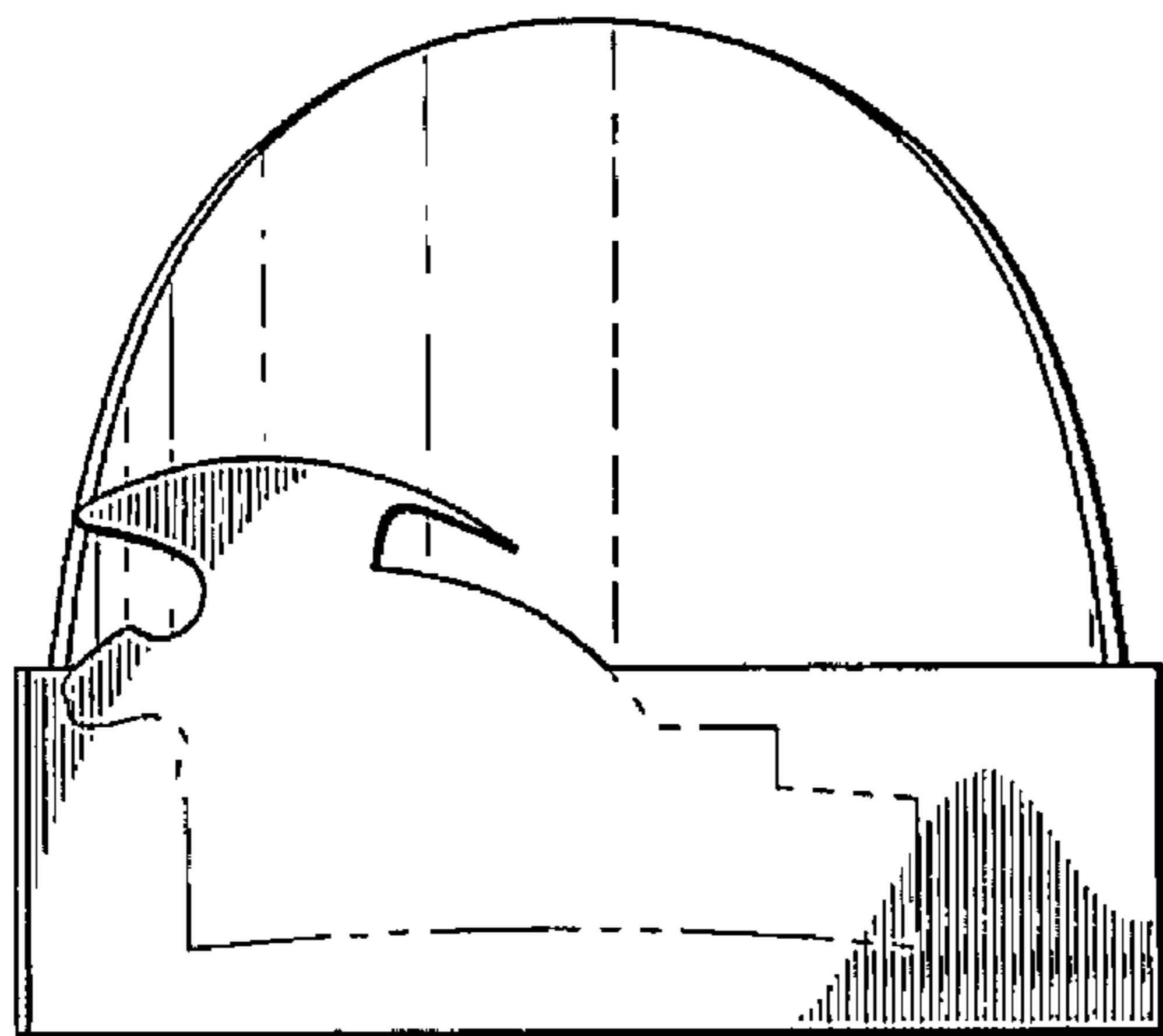


FIG. 2

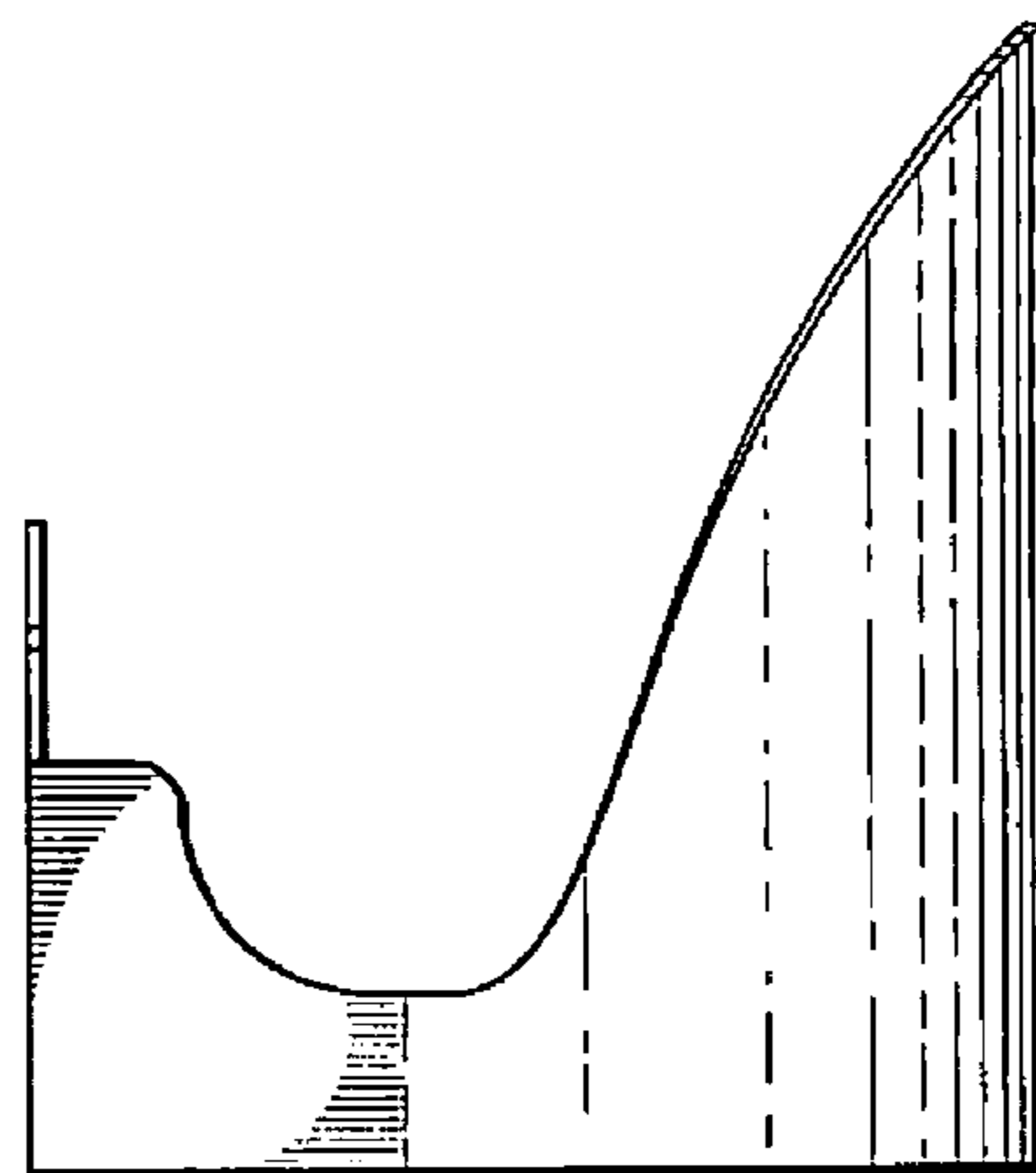


FIG. 5

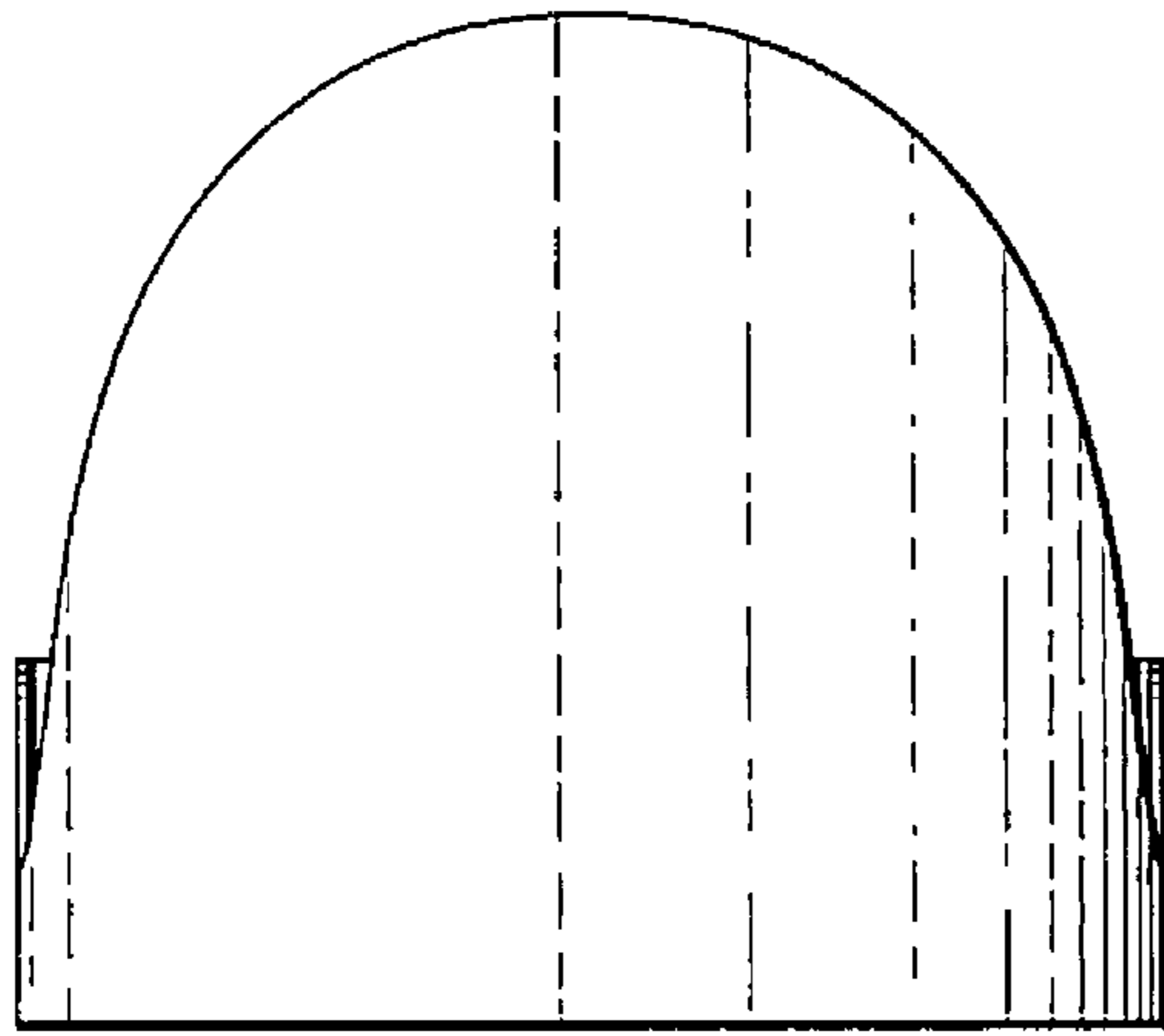


FIG. 3

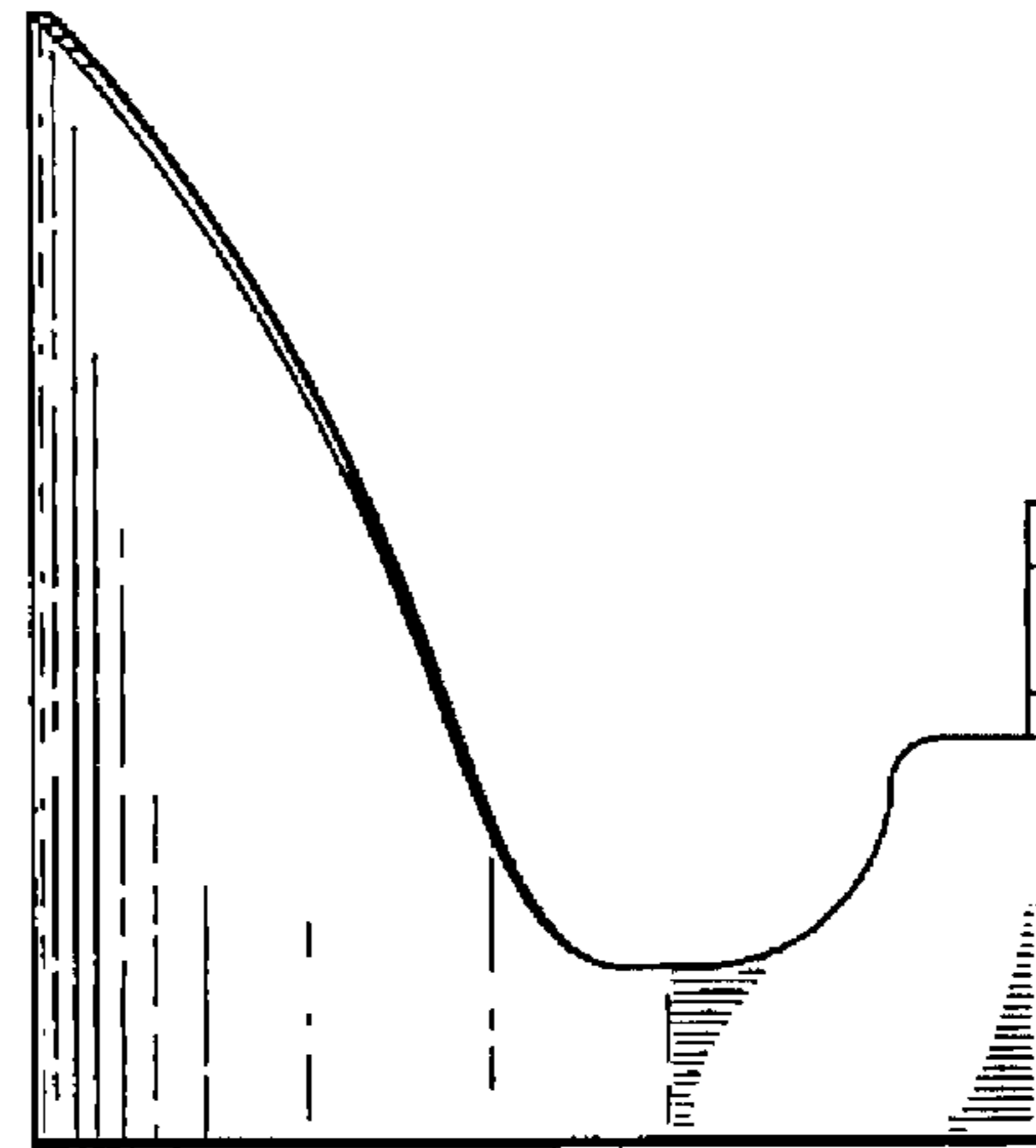


FIG. 4

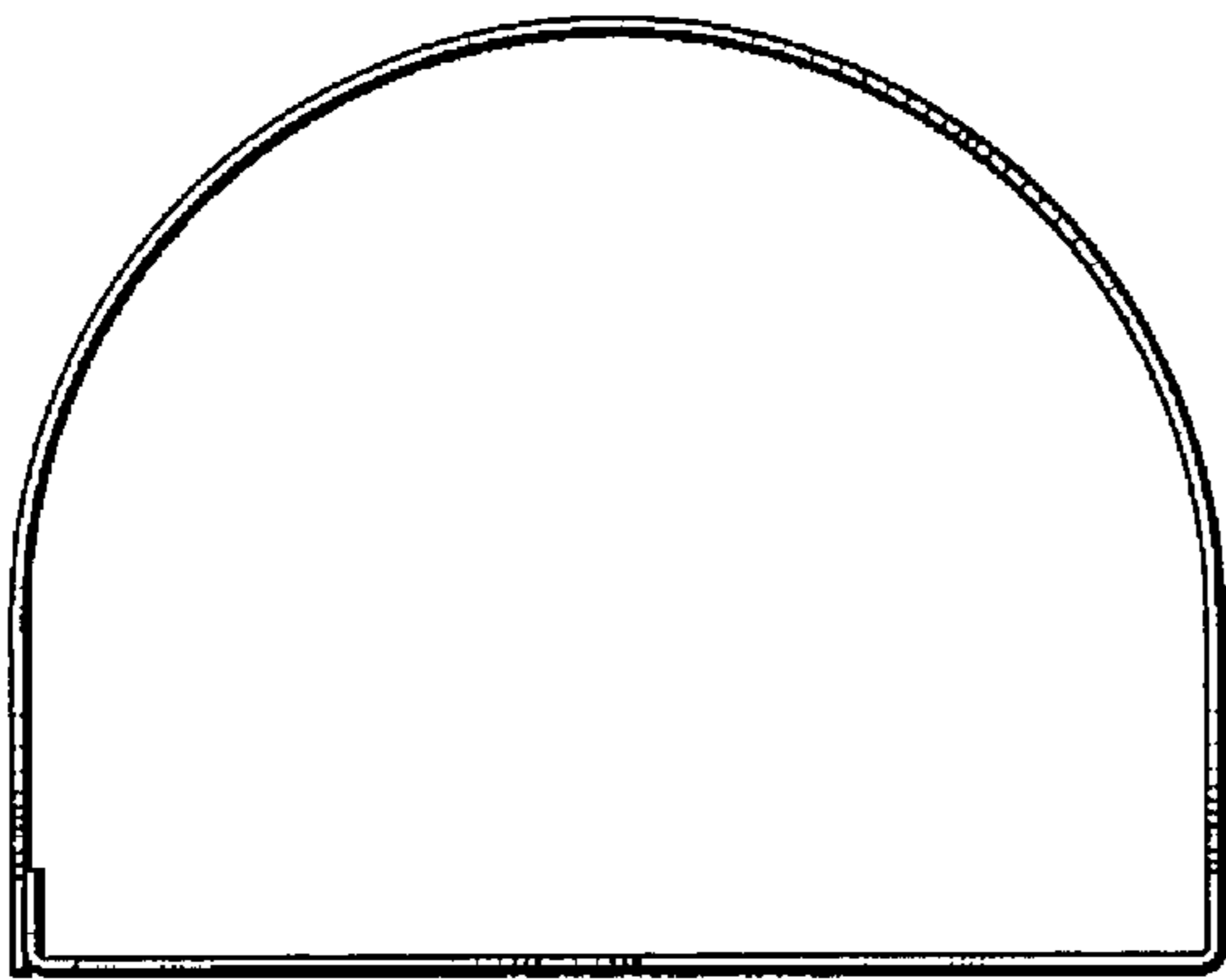


FIG. 6

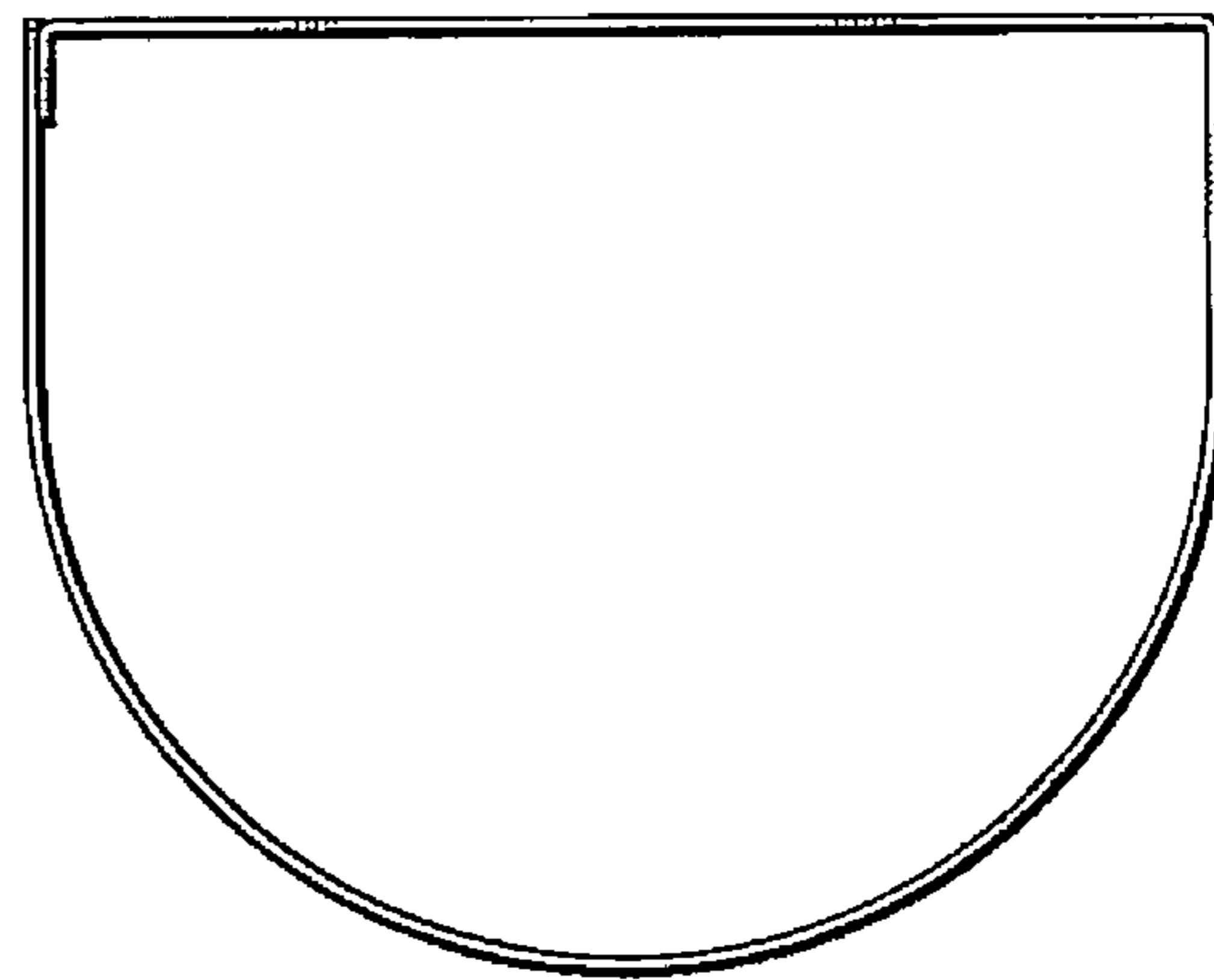


FIG. 7

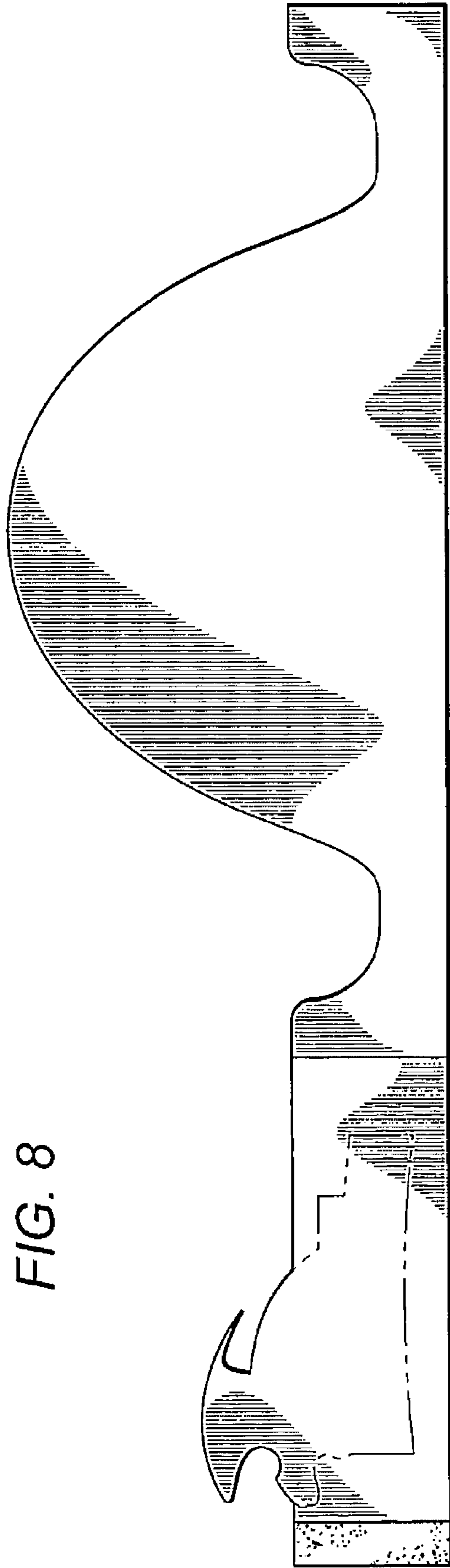


FIG. 8