



US00D714296S

(12) **United States Design Patent**  
**Fujioka**

(10) **Patent No.:** **US D714,296 S**

(45) **Date of Patent:** **\*\* Sep. 30, 2014**

(54) **SILICONE SMART COVER**

(71) Applicant: **Robb Fujioka**, Manhattan Beach, CA  
(US)

(72) Inventor: **Robb Fujioka**, Manhattan Beach, CA  
(US)

(\*\*) Term: **14 Years**

(21) Appl. No.: **29/488,476**

(22) Filed: **Apr. 18, 2014**

(51) **LOC (10) Cl.** ..... **14-02**

(52) **U.S. Cl.**  
USPC ..... **D14/440**

(58) **Field of Classification Search**

CPC ... G06F 1/1601; G06F 1/1626; G06F 1/1633;  
G06F 1/1675; G06F 1/1679; G02F 1/1306;  
G02F 1/133; G02F 1/133308; G02F 1/153;  
G02F 1/1533; G02F 2001/133317; H04B  
1/3888; H04M 1/185; H04M 1/0252  
USPC ..... D14/250, 251, 253, 240, 217, 496, 440,  
D14/203.3, 203.4, 203.5, 203.8, 341, 318;  
D3/218, 215, 201, 294, 289, 900;  
220/4.02; 248/309.1; 361/679.56;  
379/426, 433.11, 455; 455/575.1,  
455/575.8; 190/100; 206/305, 320;  
D21/469; D9/501, 414

See application file for complete search history.

(56) **References Cited**

**U.S. PATENT DOCUMENTS**

2,593,143 A \* 4/1952 Hendrick ..... 206/773  
4,318,527 A \* 3/1982 Smith ..... 248/459

D434,653 S \* 12/2000 Maguire ..... D9/430  
D561,578 S \* 2/2008 Smith ..... D9/414  
D581,865 S \* 12/2008 Koza ..... D13/102  
D653,943 S \* 2/2012 Bhattacharya ..... D9/430  
8,235,208 B2 \* 8/2012 Sirichai et al. .... 206/320  
8,245,843 B1 \* 8/2012 Wu ..... 206/320  
D679,279 S \* 4/2013 Yang et al. .... D14/440  
D694,245 S \* 11/2013 Sanz ..... D14/440

\* cited by examiner

*Primary Examiner* — Cynthia Underwood

(74) *Attorney, Agent, or Firm* — Steptoe & Johnson LLP

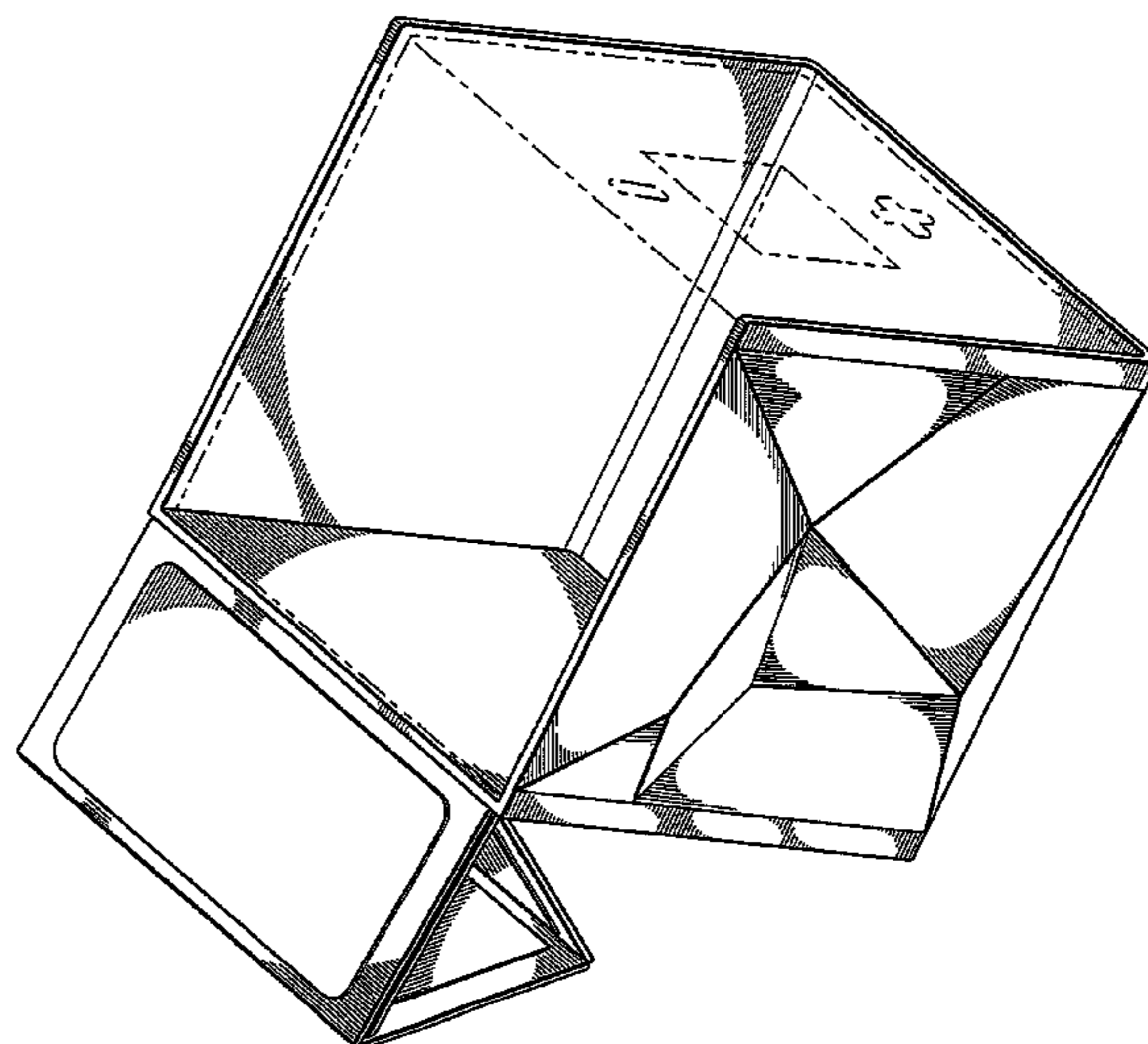
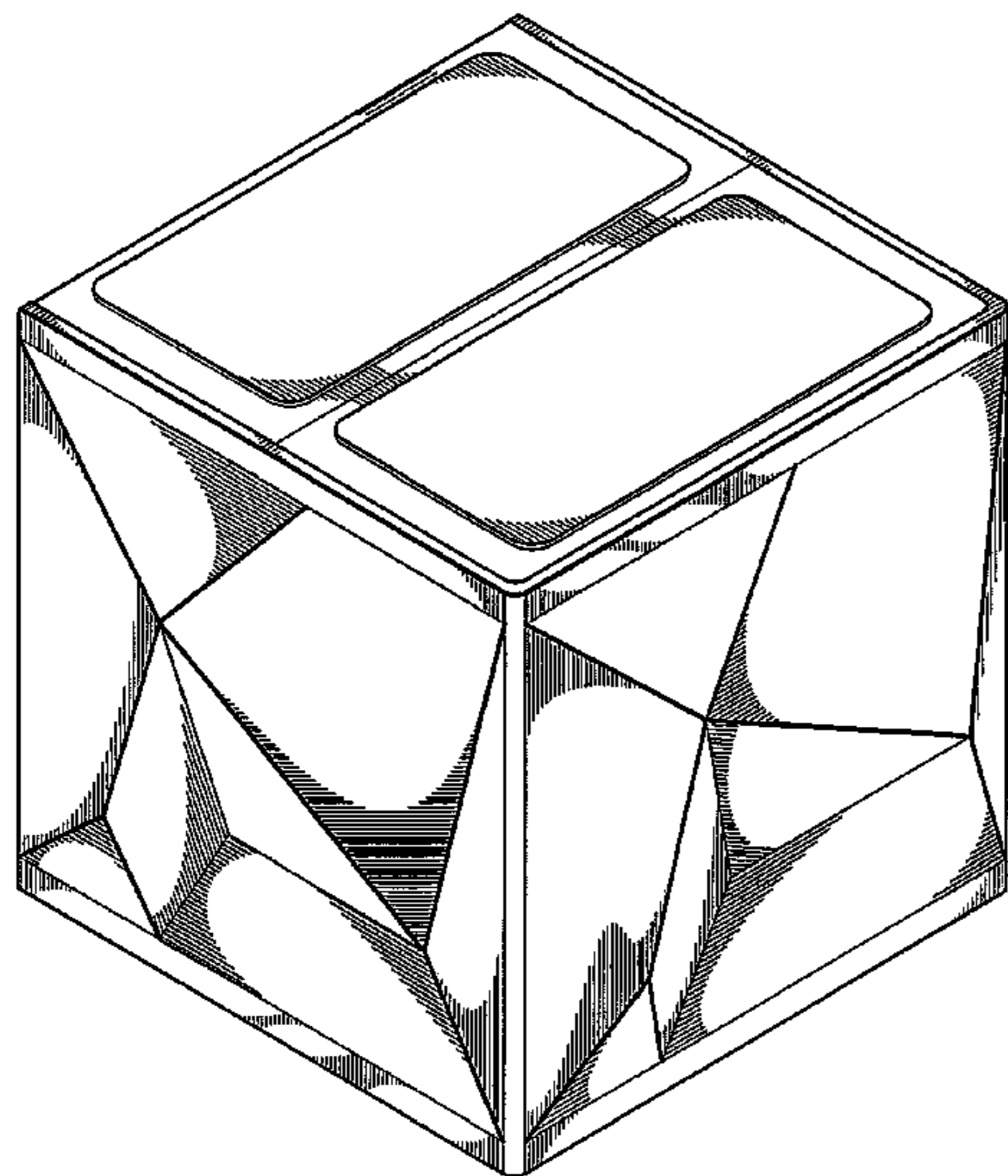
(57) **CLAIM**

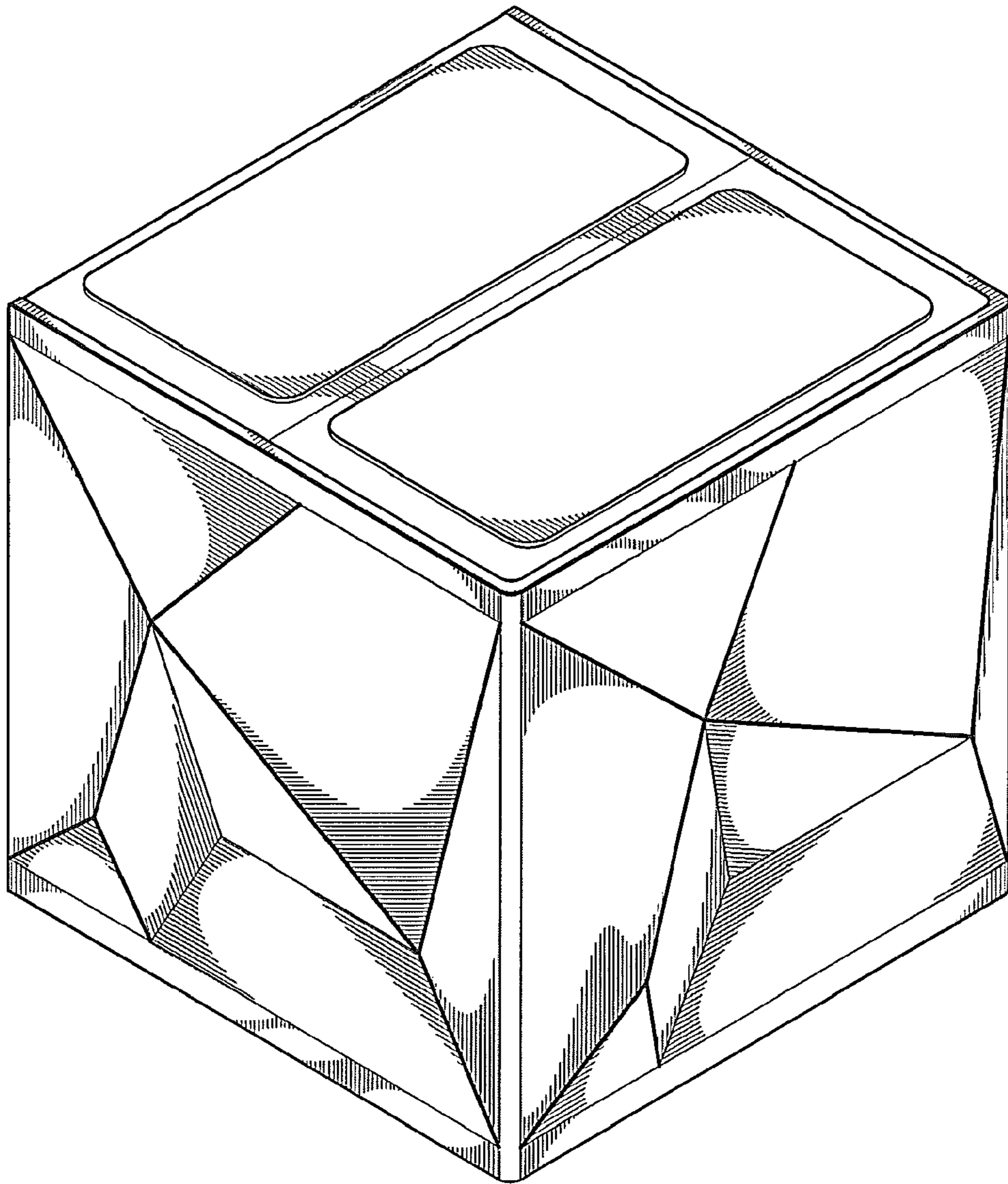
The ornamental design for an silicone smart cover, as shown and described.

**DESCRIPTION**

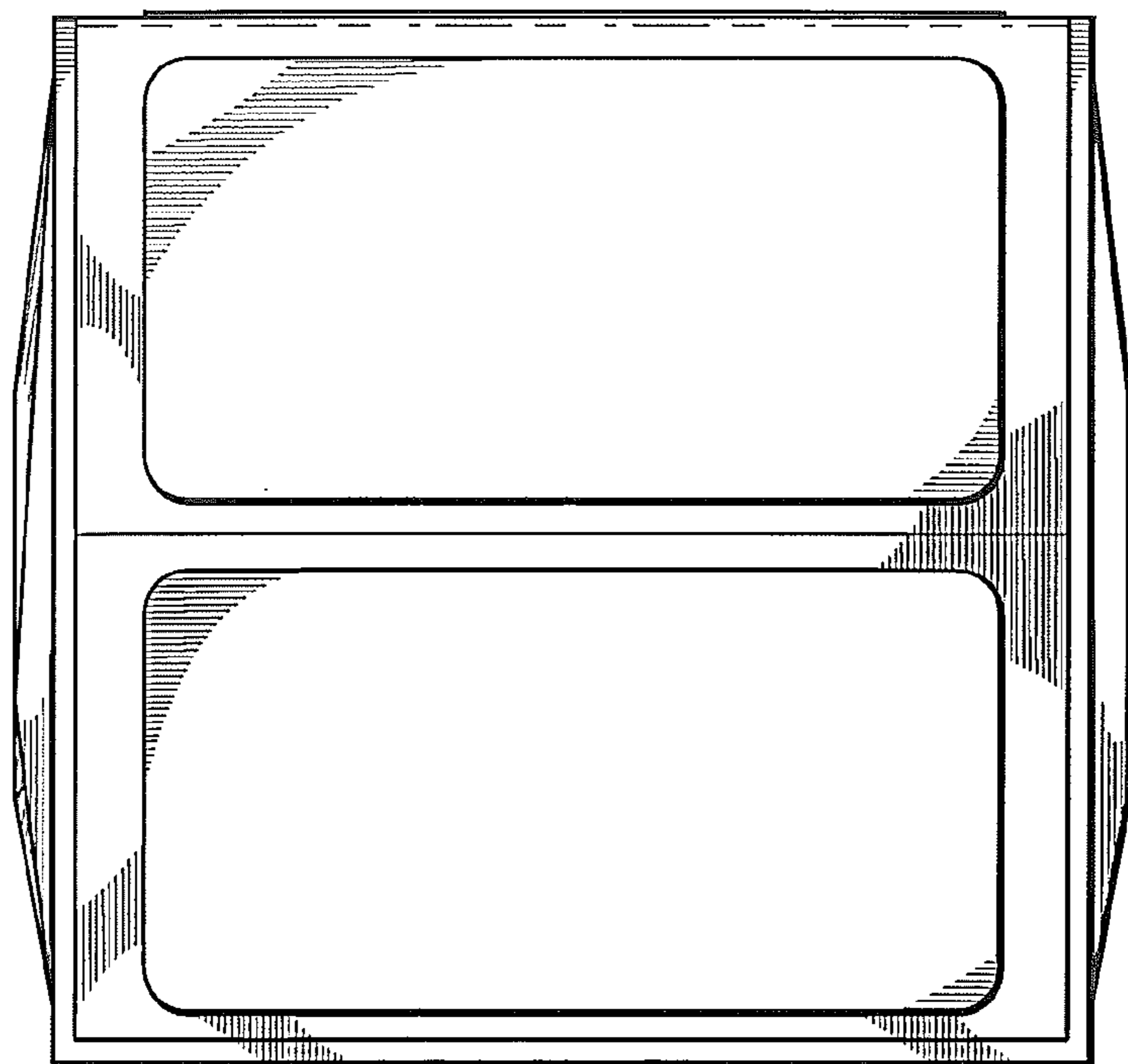
FIG. 1 is a top, rear, right side, perspective view of my new design;  
FIG. 2 is a front elevation view;  
FIG. 3 is a left side elevation view;  
FIG. 4 is a right side elevation view;  
FIG. 5 is a rear elevation view;  
FIG. 6 is a top plan view;  
FIG. 7 is a bottom plan view;  
FIG. 8 is a top, rear, right side perspective view, shown in an alternate configuration of use;  
FIG. 9 is a top, front, right side perspective view, shown in an alternate configuration of use;  
FIG. 10 is a top, rear, right side perspective view, shown in a second alternate configuration of use; and,  
FIG. 11 is a top, rear, right side perspective view, shown in a second alternate configuration of use.  
The broken lines are included for illustrative purposes only and form no part of the claim.

**1 Claim, 8 Drawing Sheets**



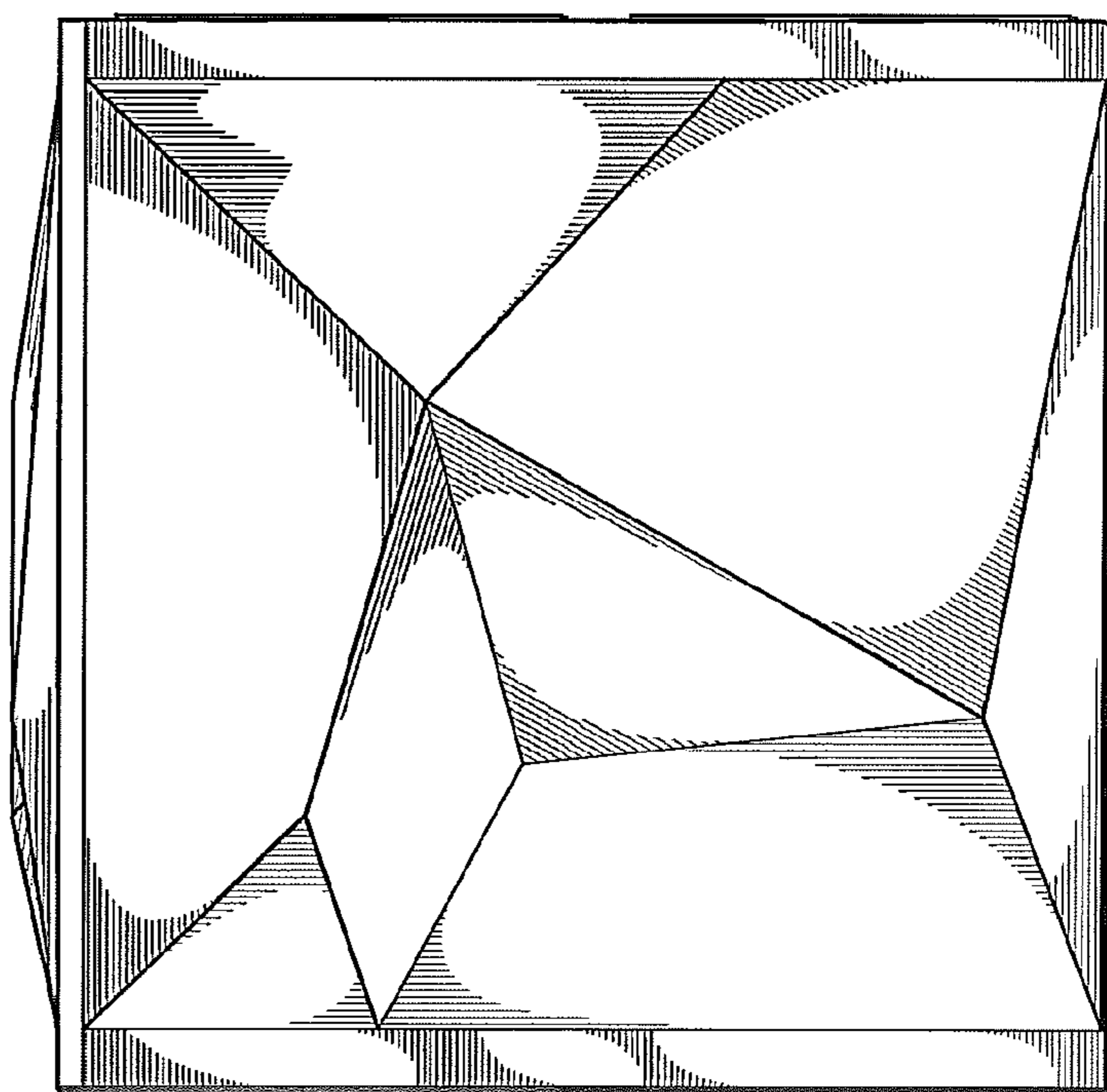


*FIG. 1*

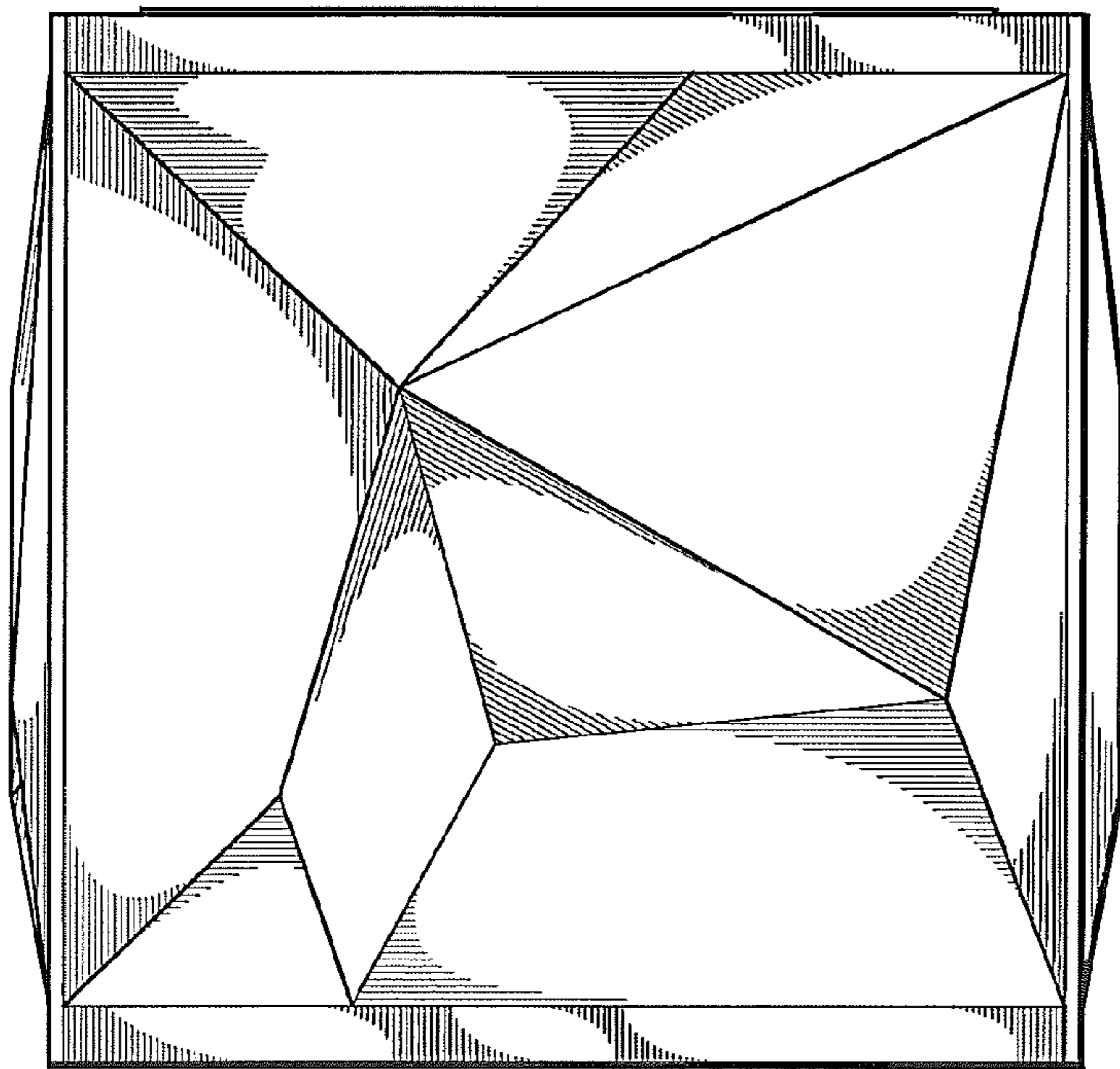
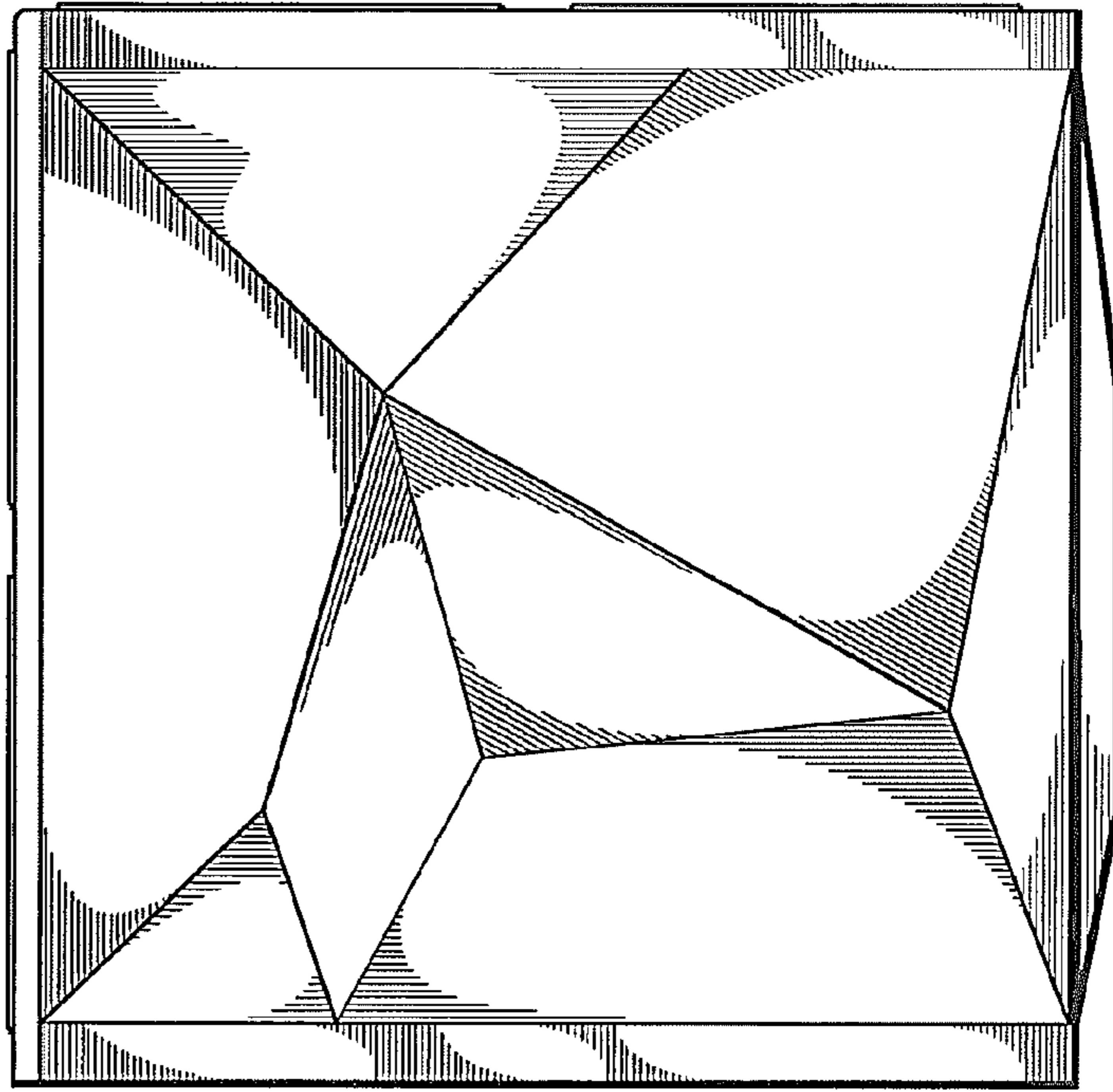


*FIG. 2*

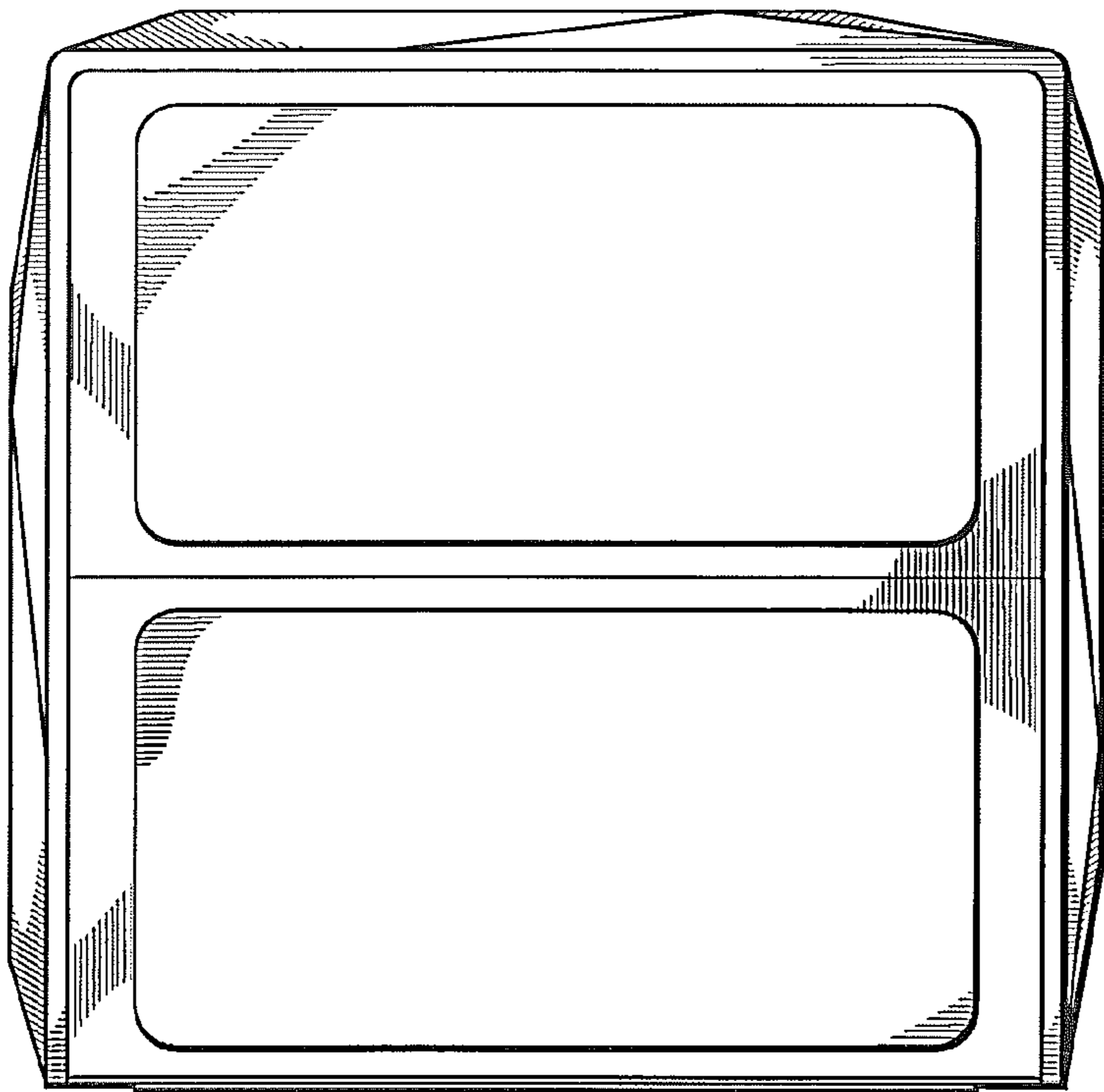
*FIG. 3*



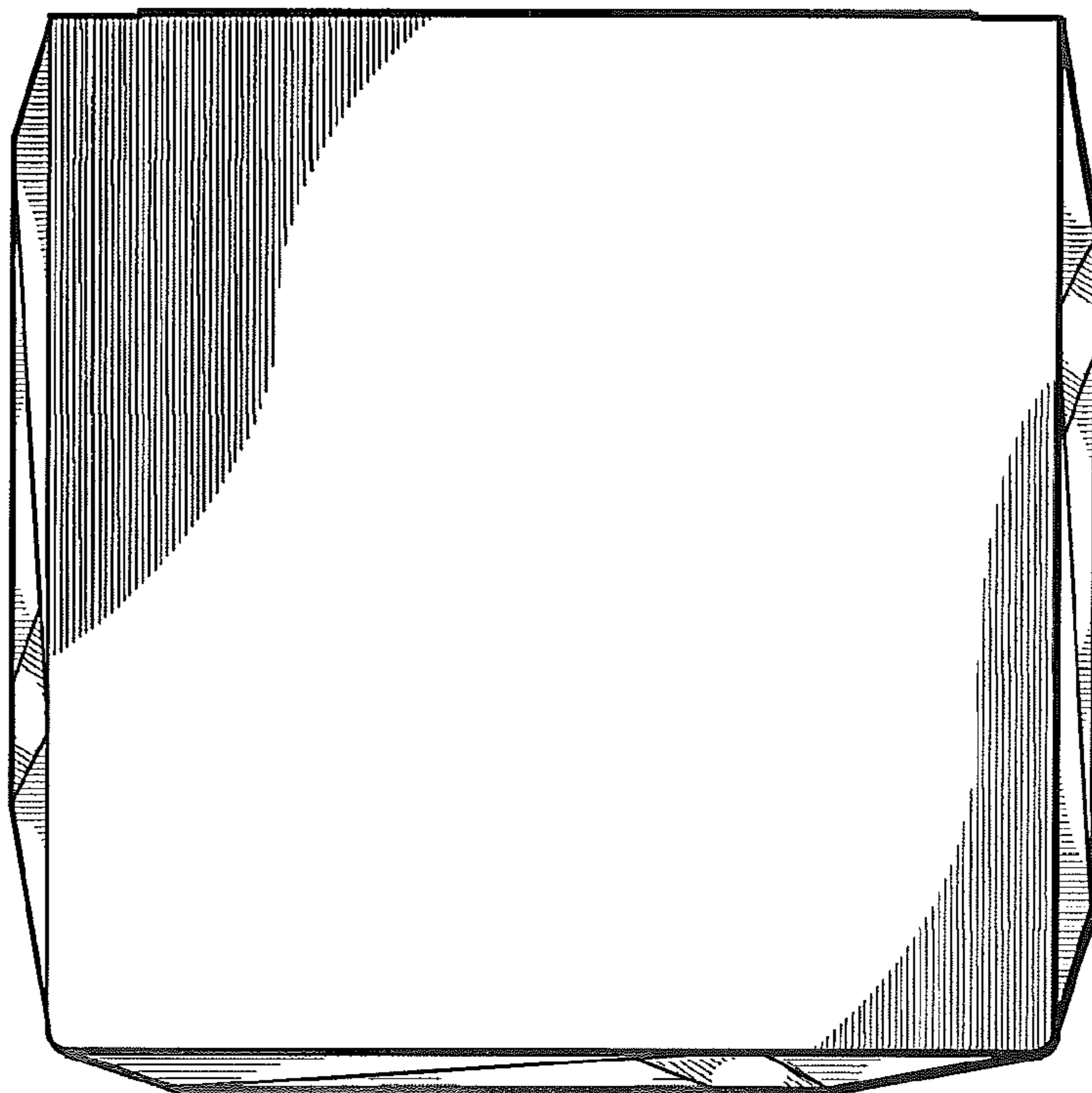
*FIG. 4*



*FIG. 5*



*FIG. 6*



*FIG. 7*

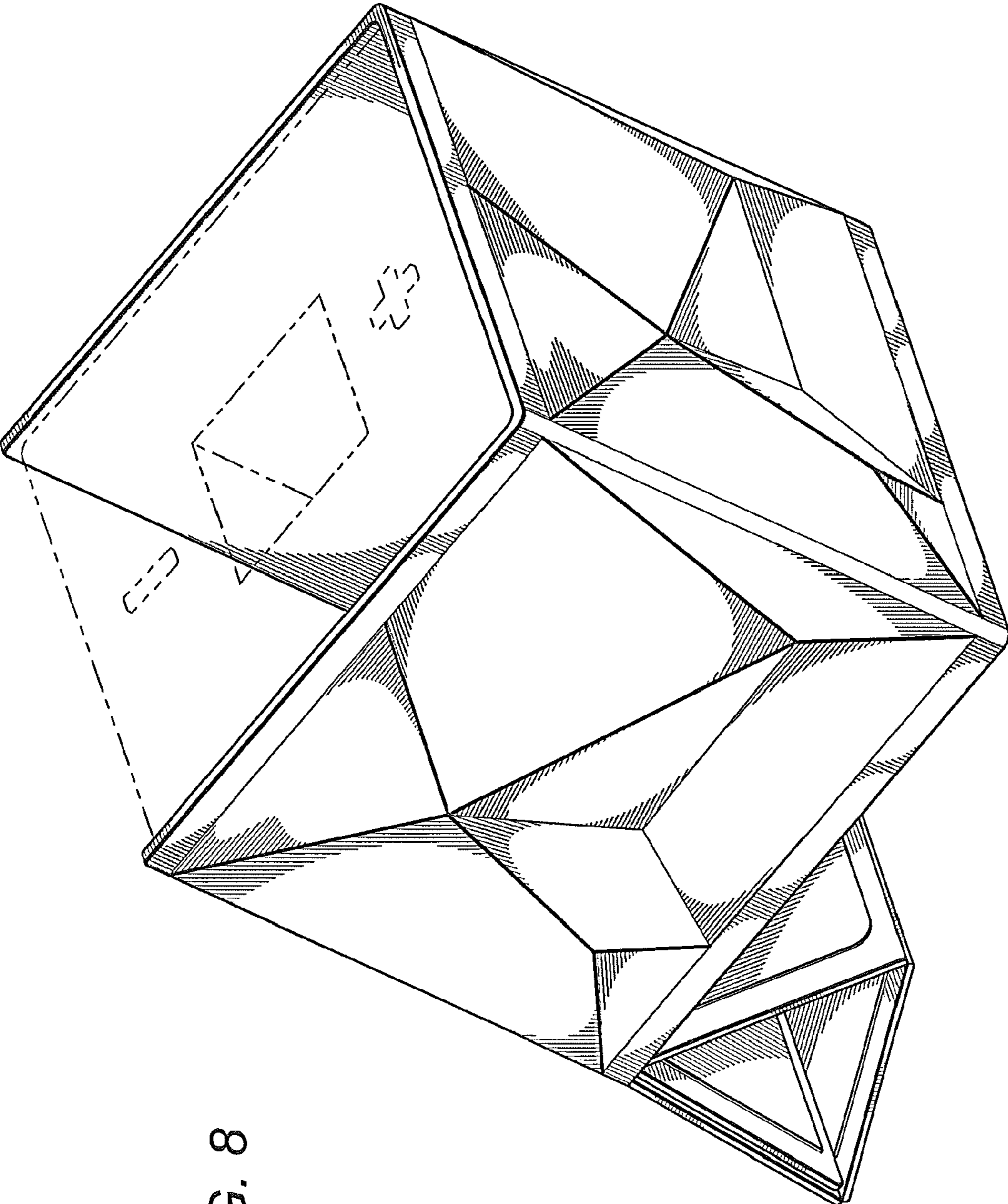


FIG. 8

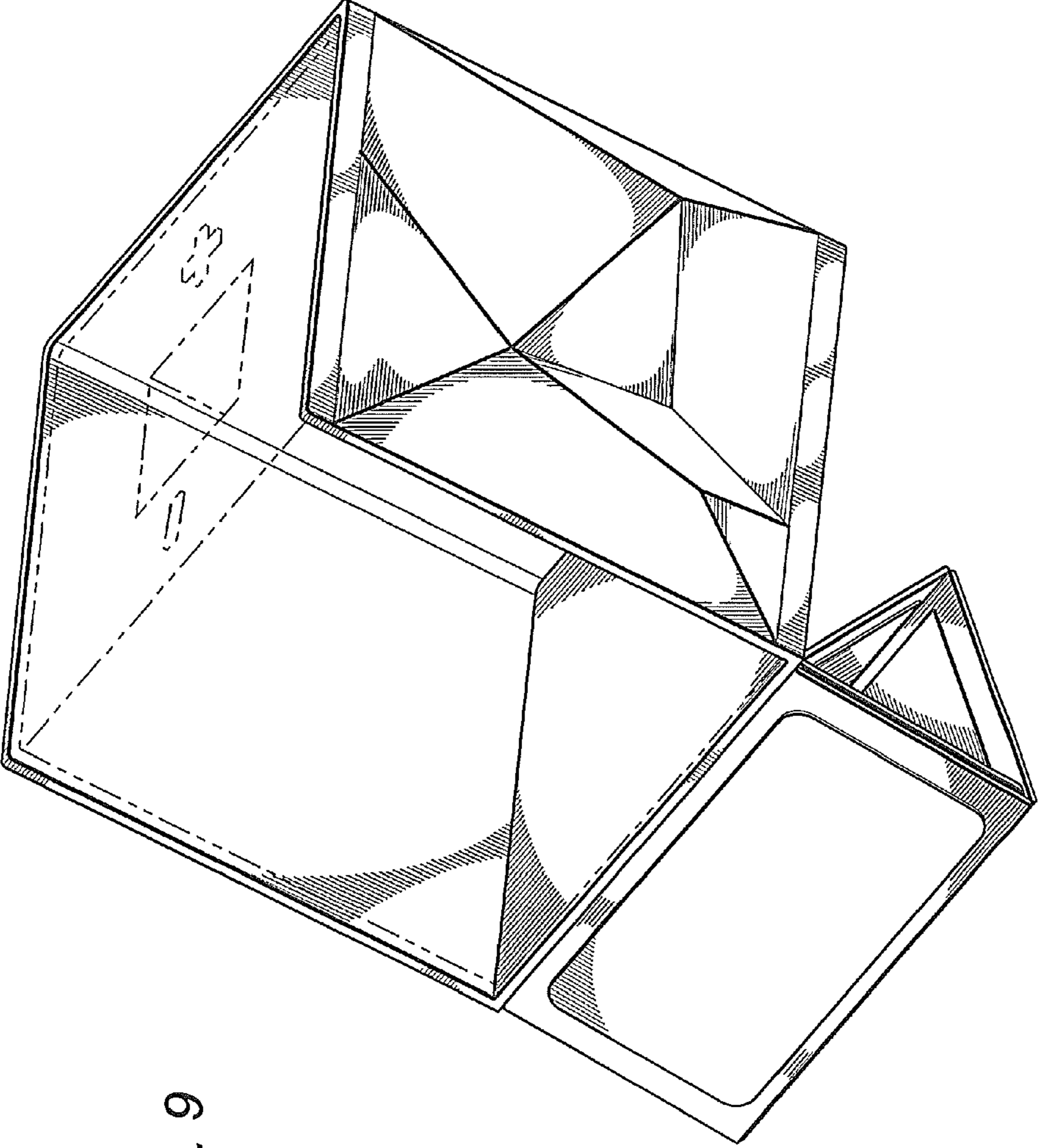


FIG. 9

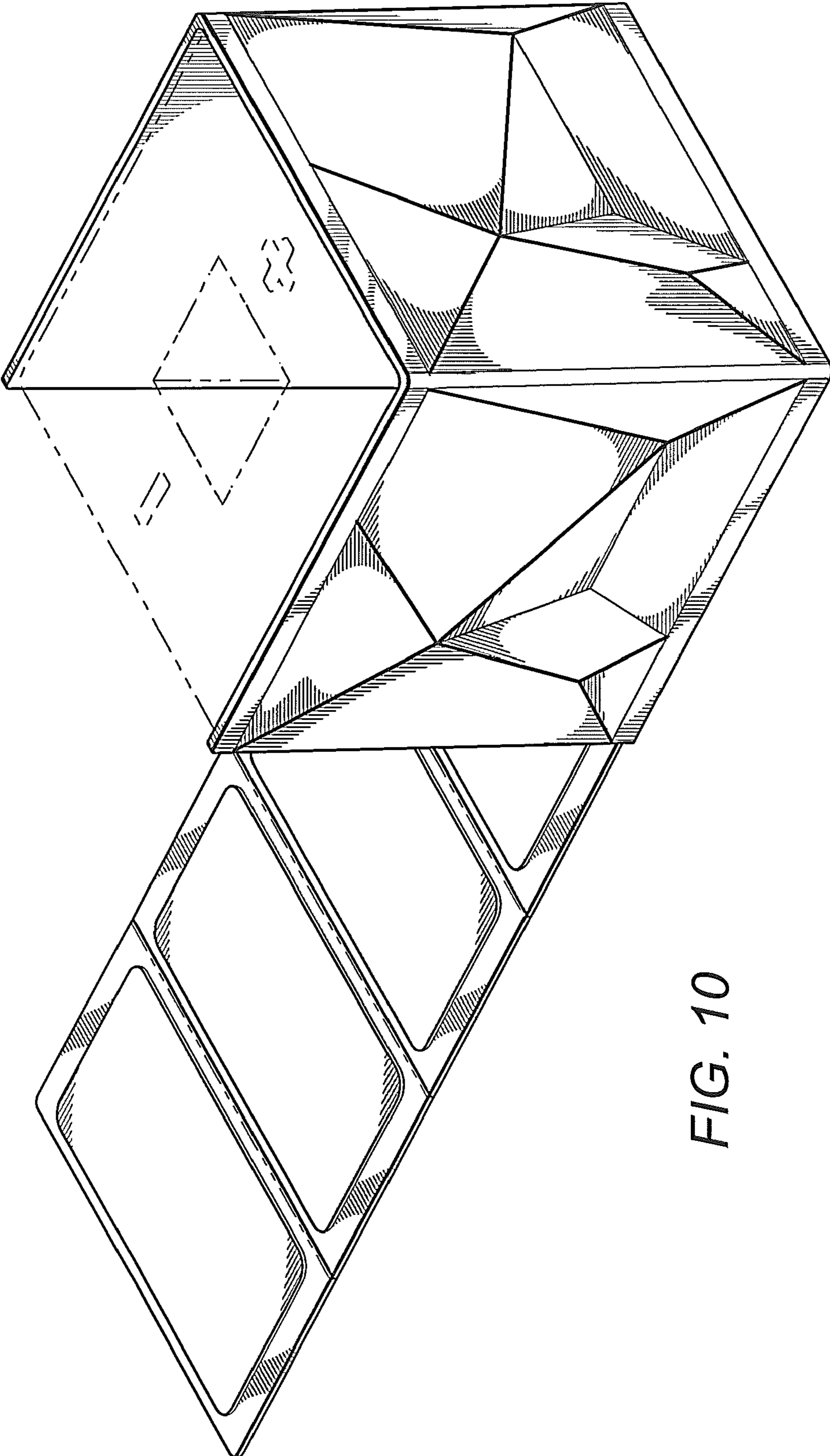


FIG. 10



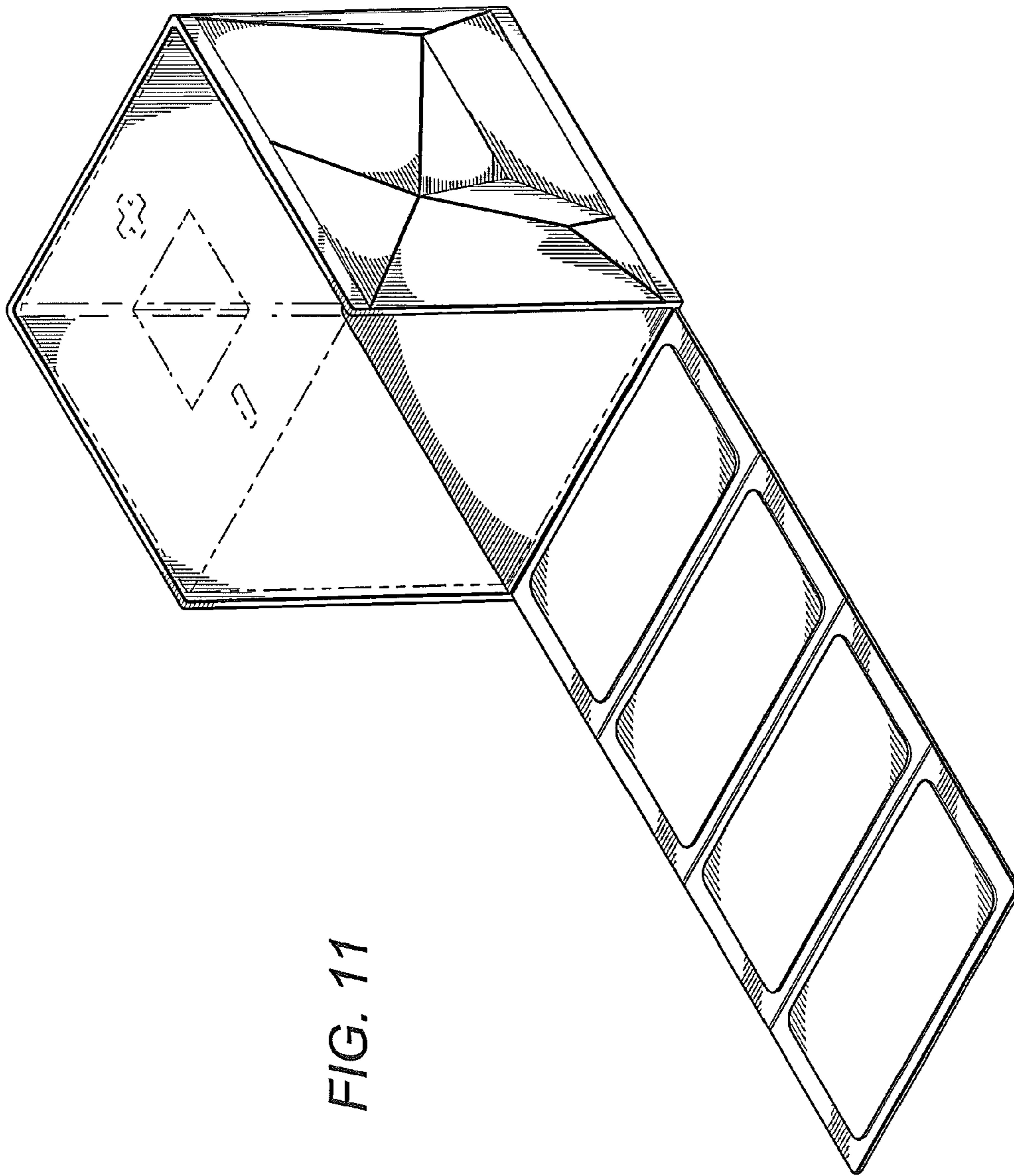


FIG. 11