



US00D714293S

(12) **United States Design Patent**
Kelly et al.

(10) **Patent No.:** **US D714,293 S**

(45) **Date of Patent:** **** Sep. 30, 2014**

(54) **USB PASS THROUGH ADAPTER**

(71) Applicants: **Andrew Kelly**, Loughborough (GB);
David Mylnksi, Cheltenham (GB);
Joshua T. Druker, Palo Alto, CA (US);
Stephen J. Senatore, Palo Alto, CA
(US); **Kevin D. Simmons**, Palo Alto, CA
(US); **Alexander Brown**, Palo Alto, CA
(US)

(72) Inventors: **Andrew Kelly**, Loughborough (GB);
David Mylnksi, Cheltenham (GB);
Joshua T. Druker, Palo Alto, CA (US);
Stephen J. Senatore, Palo Alto, CA
(US); **Kevin D. Simmons**, Palo Alto, CA
(US); **Alexander Brown**, Palo Alto, CA
(US)

(**) Term: **14 Years**

(21) Appl. No.: **29/469,662**

(22) Filed: **Oct. 11, 2013**

(51) **LOC (10) Cl.** **14-02**

(52) **U.S. Cl.**
USPC **D14/433**

(58) **Field of Classification Search**
USPC D14/356, 432-434, 453, 454, 511,
D14/203.8, 209.1, 238.1, 240, 125, 435.1;
439/638, 928, 105, 502; 710/303, 304,
710/305; 361/679.41, 679.55, 679.56;
D13/110, 133, 146, 108; 320/111
See application file for complete search history.

(56) **References Cited**

U.S. PATENT DOCUMENTS

5,494,449 A * 2/1996 Chioo 439/76.1
D384,035 S * 9/1997 Kuprewicz et al. D13/133

D627,784	S	*	11/2010	Yamamoto	D14/433
D629,805	S	*	12/2010	Nysen et al.	D14/433
D643,841	S	*	8/2011	Lyford et al.	D14/433
D649,970	S	*	12/2011	Lyford et al.	D14/433
D678,286	S	*	3/2013	Cheng	D14/433
D684,976	S	*	6/2013	Akana et al.	D14/433
D702,182	S	*	4/2014	Druker et al.	D13/110
D704,629	S	*	5/2014	Liu	D13/108
2003/0225954	A1	*	12/2003	Wu	710/305
2007/0229025	A1	*	10/2007	Tsai et al.	320/111

* cited by examiner

Primary Examiner — Austin Murphy

(74) *Attorney, Agent, or Firm* — BakerHostetler LLP

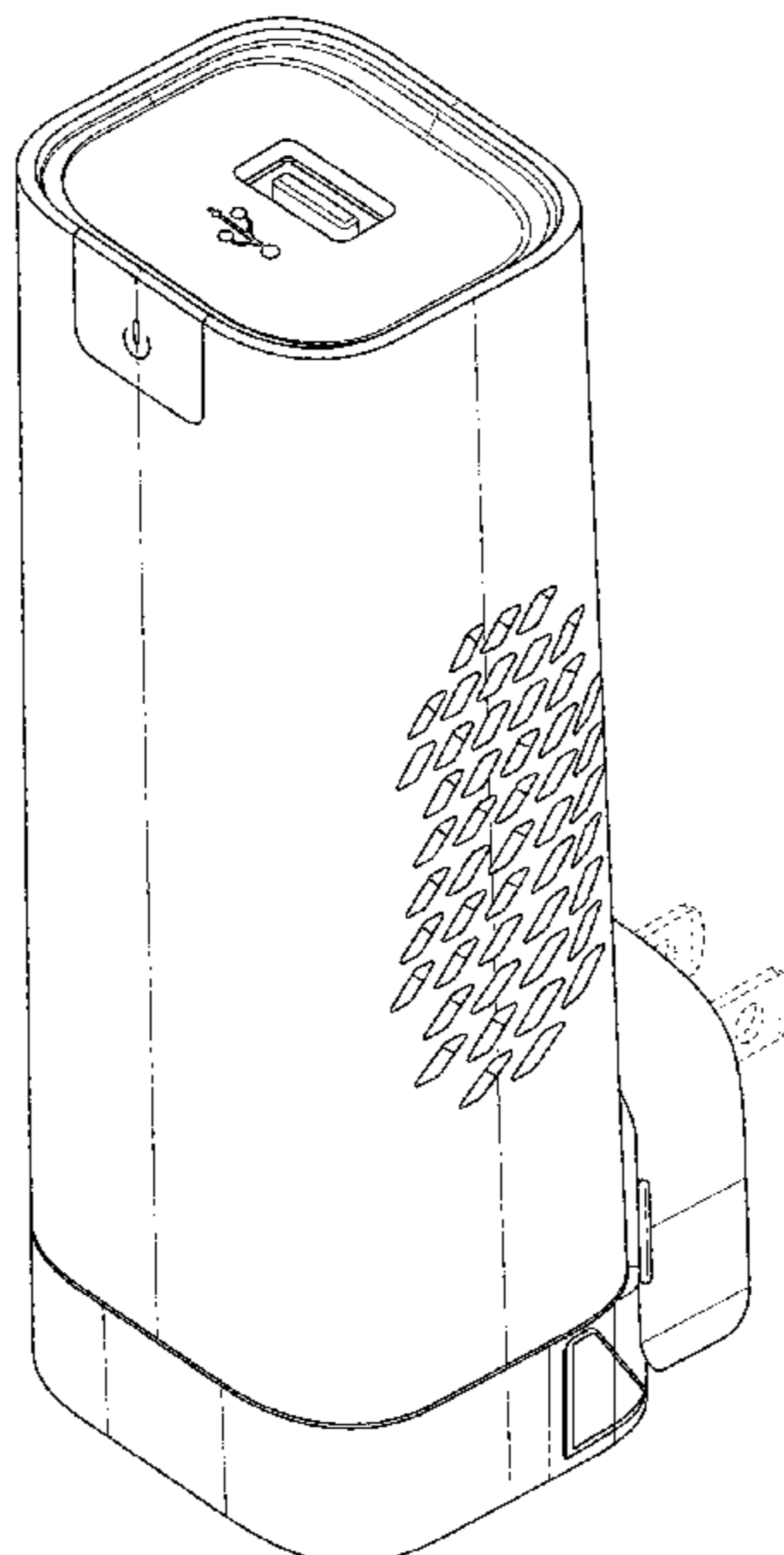
(57) **CLAIM**

The ornamental design for a USB pass through adapter, as shown and described.

DESCRIPTION

FIG. 1 is a front to back perspective view of a USB pass through adapter showing my new design;
FIG. 2 is a back to front perspective view of a USB pass through adapter showing my new design;
FIG. 3 is a top view of a of a USB pass through adapter showing my new design;
FIG. 4 is a bottom view of a of a USB pass through adapter showing my new design;
FIG. 5 is a right side view of a of a USB pass through adapter showing my new design;
FIG. 6 is a front view of a USB pass through adapter showing my new design;
FIG. 7 is a left side view of a of a USB pass through adapter showing my new design; and,
FIG. 8 is a back view of a of a USB pass through adapter showing my new design.
Dashed lines form no part of the claimed design and are disclaimed.

1 Claim, 7 Drawing Sheets



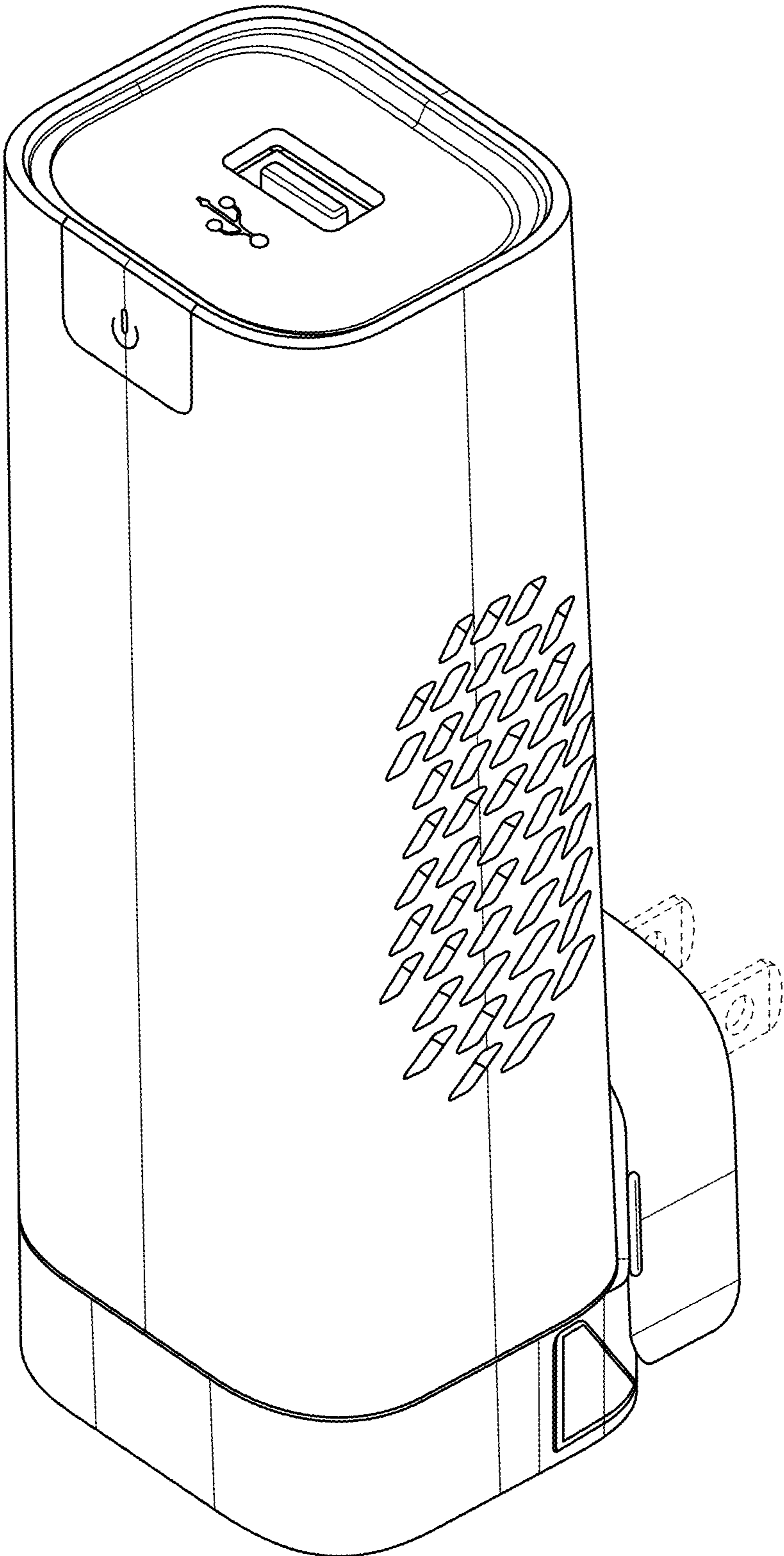


FIG. 1

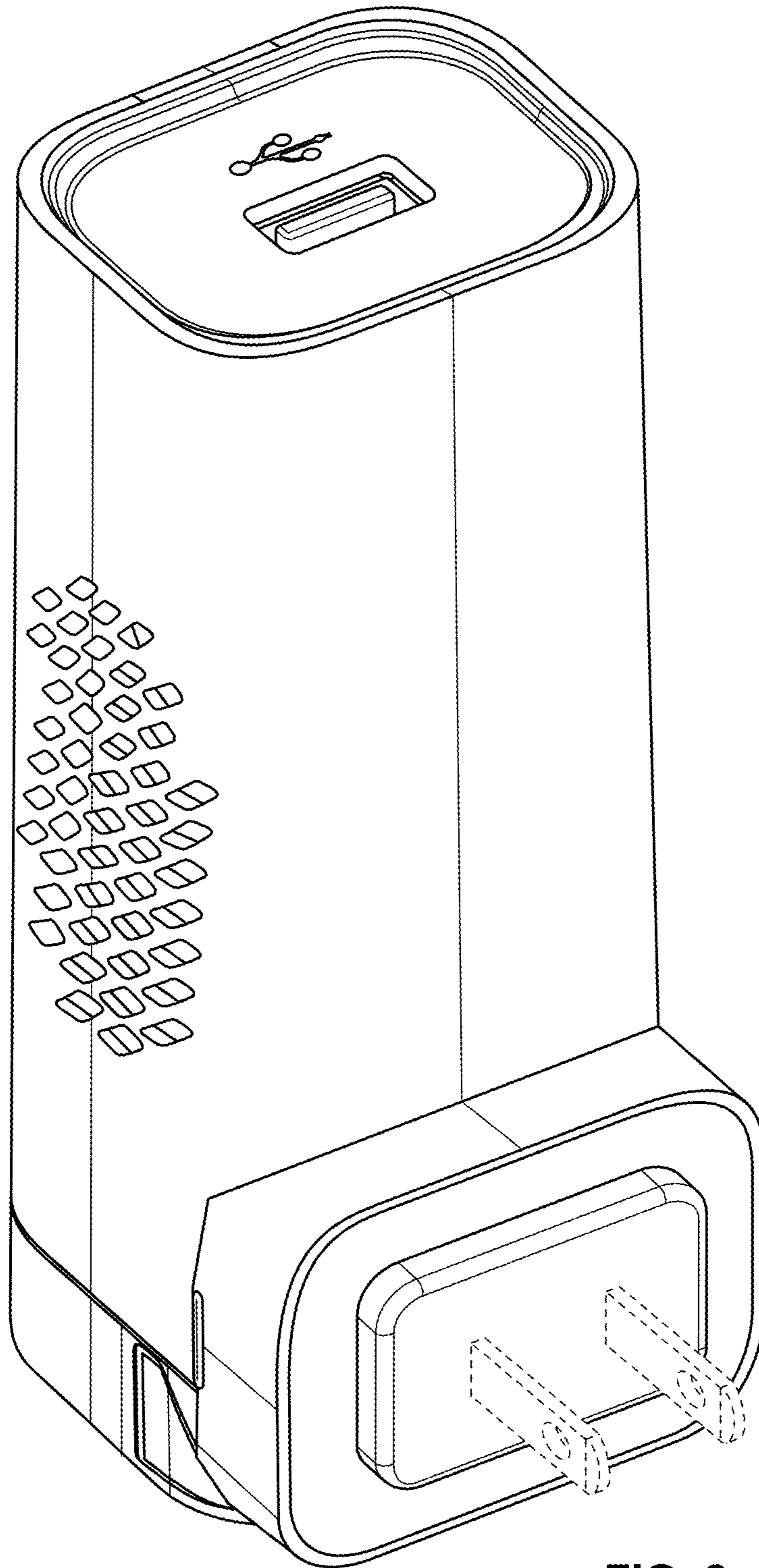


FIG. 2

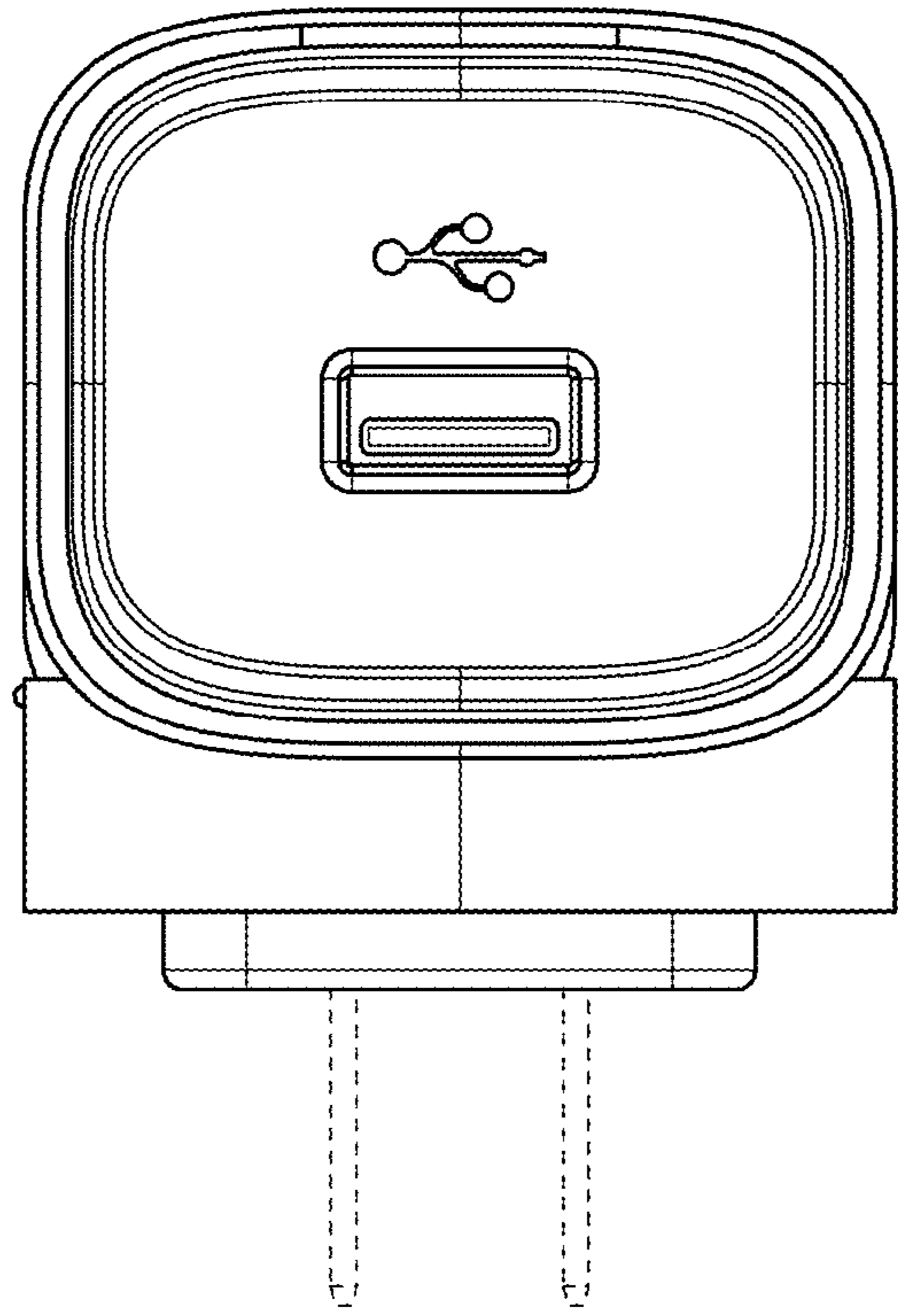


FIG. 3

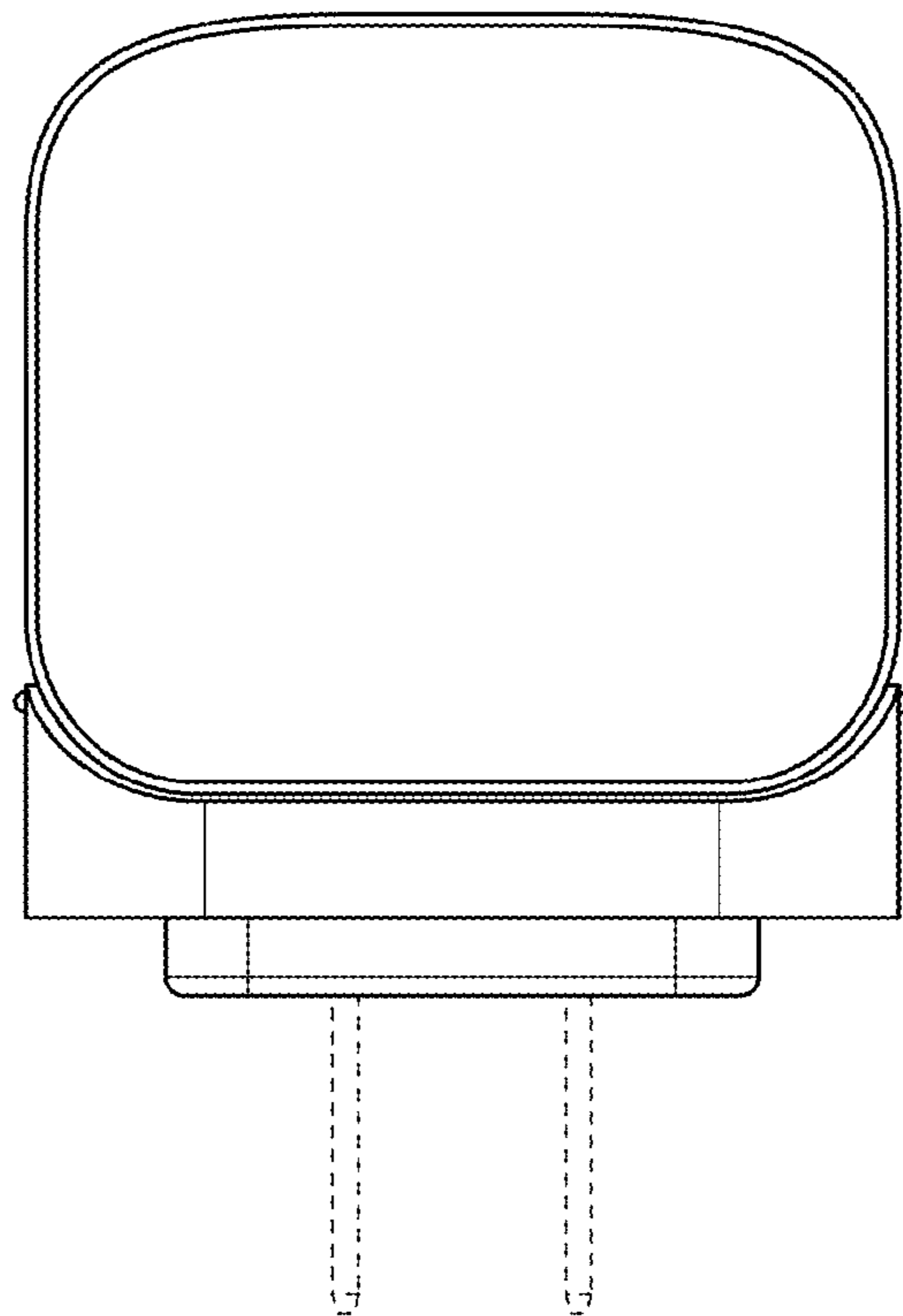


FIG. 4

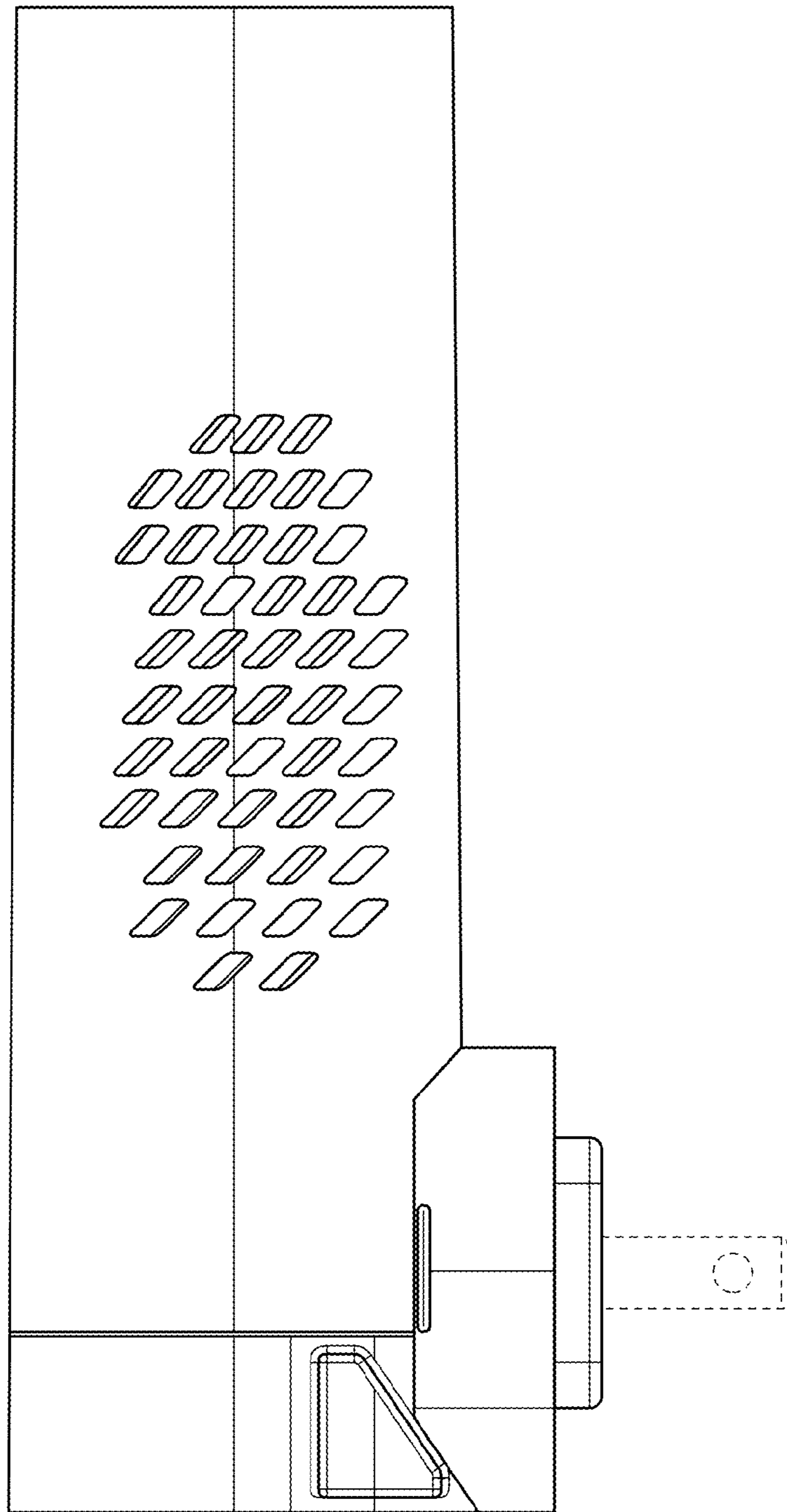


FIG. 5

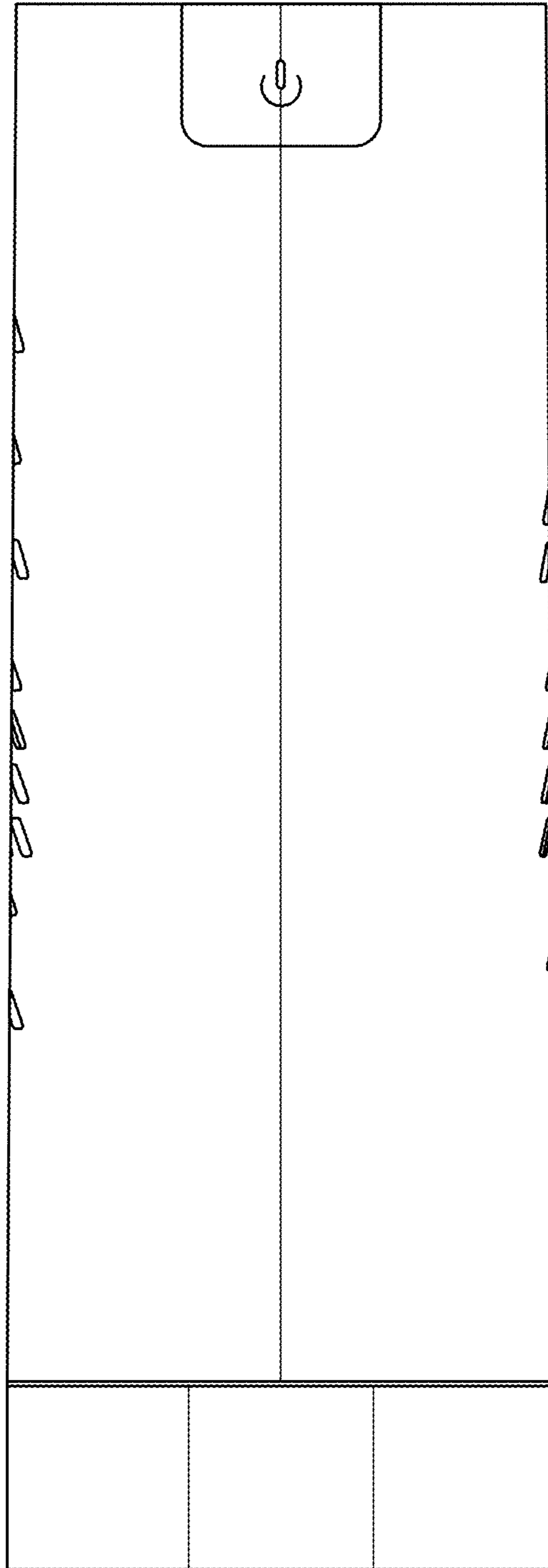


FIG. 6

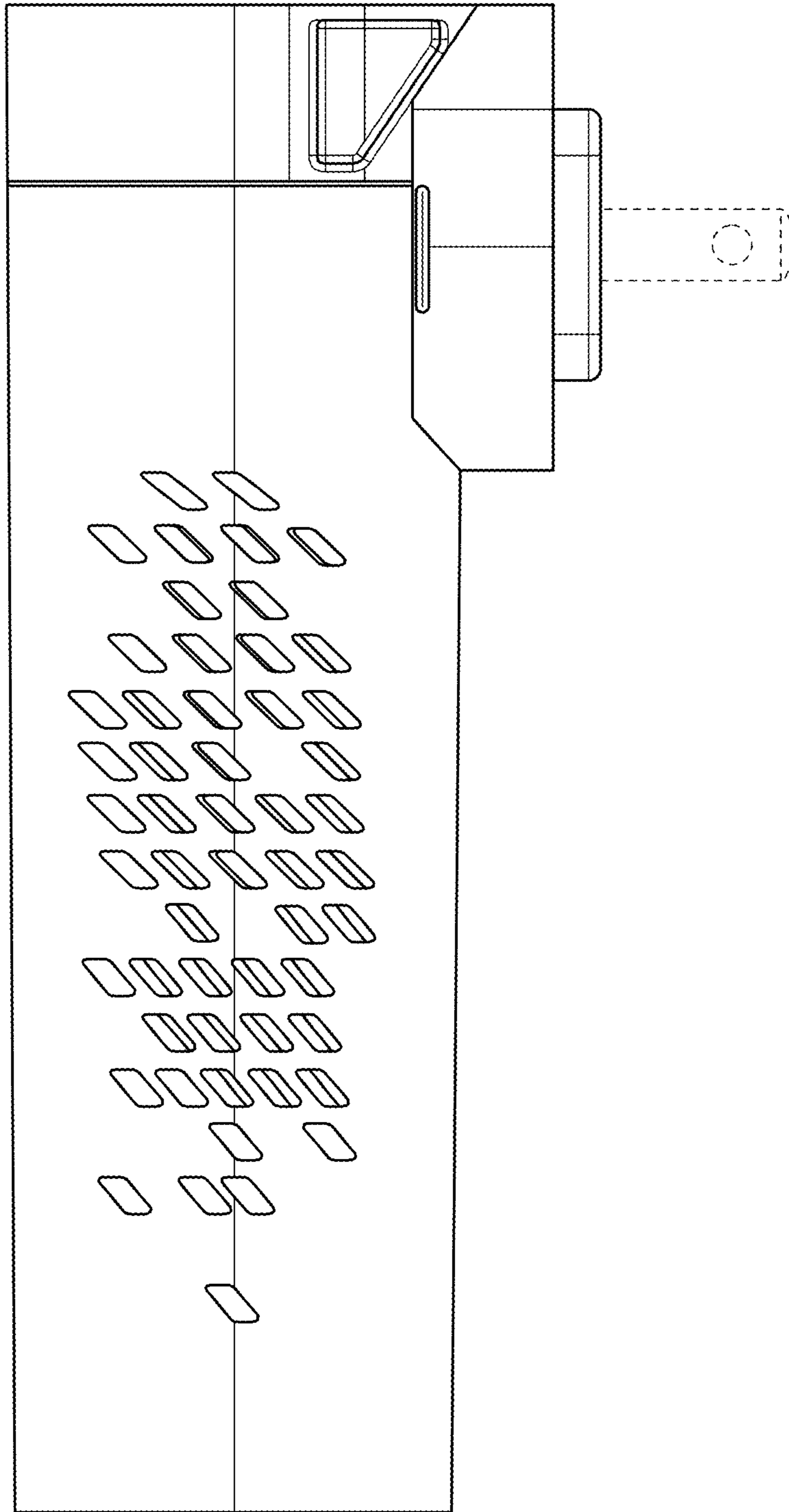


FIG. 7

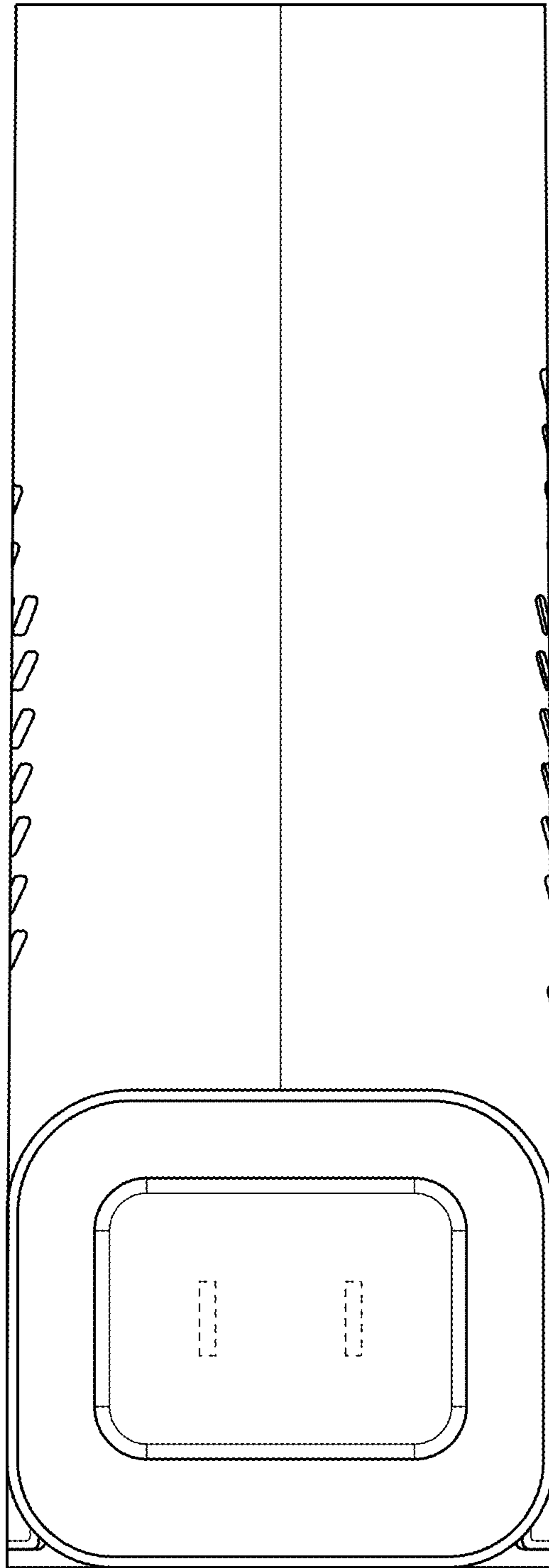


FIG. 8