



US00D714290S

(12) **United States Design Patent**
Tanaka et al.

(10) **Patent No.:** **US D714,290 S**

(45) **Date of Patent:** **** Sep. 30, 2014**

(54) **SCANNER**

(71) Applicants: **Hiromitsu Tanaka**, Nagoya (JP); **Ai Kishimoto**, Nagoya (JP)

(72) Inventors: **Hiromitsu Tanaka**, Nagoya (JP); **Ai Kishimoto**, Nagoya (JP)

(73) Assignee: **Brother Industries, Ltd.**, Nagoya (JP)

(**) Term: **14 Years**

(21) Appl. No.: **29/457,541**

(22) Filed: **Jun. 11, 2013**

(30) **Foreign Application Priority Data**

Dec. 21, 2012 (JP) 2012-31299

(51) **LOC (10) Cl.** **14-02**

(52) **U.S. Cl.**
USPC **D14/422**

(58) **Field of Classification Search**

USPC D14/420-425, 462-470, 389, 125, 399;
D18/50, 54, 55, 53, 36-39, 14, 18-21,
D18/49, 52, 51, 54.4; 358/400, 401, 448,
358/474, 486-488, 496; 382/312, 317, 321,
382/315; 400/613, 613.1-613.4,
400/690.1-690.4, 691-694, 88, 175;
399/107, 379, 380, 211, 212;
235/462.11, 462.41, 472.01, 470,
235/462.43; 361/680, 681

See application file for complete search history.

(56) **References Cited**

U.S. PATENT DOCUMENTS

D231,539 S * 4/1974 MacConkey et al. D14/462
D249,797 S * 10/1978 Van Acker et al. D18/36
D286,640 S * 11/1986 Miyazaki D18/54
D290,959 S * 7/1987 Ooie D14/462
D295,416 S * 4/1988 Glaberson D14/422

D301,141 S * 5/1989 Sugimoto D18/54
D302,812 S * 8/1989 Hiroki D14/422
D304,598 S * 11/1989 Jokl D18/55
4,941,310 A * 7/1990 Kristen 53/512
D314,212 S * 1/1991 Komada et al. D18/40
D315,172 S * 3/1991 Lampe D18/54
5,106,220 A * 4/1992 Ricca et al. 400/693
D329,862 S * 9/1992 Watanabe et al. D16/208
D330,721 S * 11/1992 Yoshihara D18/50
D331,753 S * 12/1992 Itou et al. D14/462
5,182,697 A * 1/1993 I-Shou 361/679.02
5,236,265 A * 8/1993 Saito et al. 400/88
D339,372 S * 9/1993 Kando D18/50
D339,576 S * 9/1993 Sawada et al. D14/462
D340,232 S * 10/1993 Yoshida D14/422
D342,271 S * 12/1993 Keng D15/146
D343,381 S * 1/1994 Inukai et al. D13/107
D343,409 S * 1/1994 Kobayashi D18/50
D345,353 S * 3/1994 Dietrich D14/462
D345,986 S * 4/1994 Lim D15/146
D350,343 S * 9/1994 Saito et al. D14/422
D354,967 S * 1/1995 Lim D15/145
D358,826 S * 5/1995 Kuhns D15/146
D361,084 S * 8/1995 Yamanaka et al. D18/50
D361,554 S * 8/1995 Mochizuki et al. D14/422
D362,267 S * 9/1995 Yamanaka et al. D18/50

(Continued)

Primary Examiner — Susan Moon Lee

(74) *Attorney, Agent, or Firm* — Oliff PLC

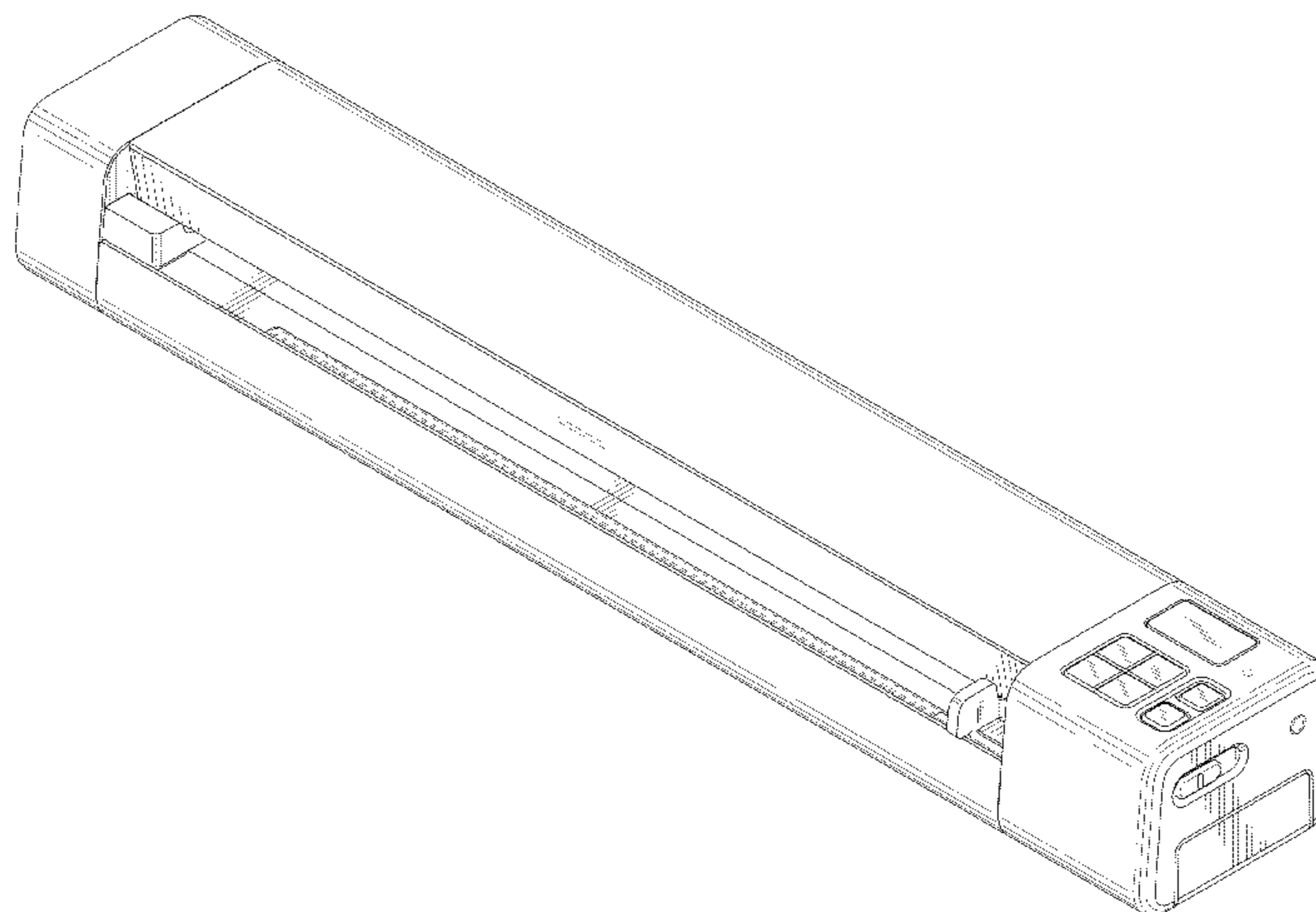
(57) **CLAIM**

The ornamental design for a scanner, as shown and described.

DESCRIPTION

FIG. 1 is a perspective view of a scanner;
FIG. 2 is a front view thereof;
FIG. 3 is a top view thereof;
FIG. 4 is a right-side view thereof;
FIG. 5 is a left-side view thereof;
FIG. 6 is a rear view thereof; and,
FIG. 7 is a bottom view thereof.
Broken lines and unshaded portions contained within broken line are not claimed.

1 Claim, 4 Drawing Sheets



(56)

References Cited

U.S. PATENT DOCUMENTS

D366,436	S *	1/1996	Blottko et al.	D10/97	D563,413	S *	3/2008	Kuroda et al.	D14/422
D366,650	S *	1/1996	McKinnon et al.	D14/422	D579,938	S *	11/2008	Romanoff et al.	D14/422
D370,008	S *	5/1996	Cheng	D14/422	7,540,127	B2 *	6/2009	Sung et al.	53/512
D370,458	S *	6/1996	Fladung et al.	D13/139.8	D609,237	S *	2/2010	Romanoff et al.	D14/422
D372,467	S *	8/1996	Lee	D14/422	D620,492	S *	7/2010	Tang et al.	D14/422
5,570,962	A *	11/1996	Suzuki et al.	400/120.16	D624,545	S *	9/2010	Kuroda et al.	D14/422
5,645,434	A *	7/1997	Leung	439/74	D624,547	S *	9/2010	Kuroda et al.	D14/422
5,825,505	A *	10/1998	Toyoda et al.	358/400	D631,479	S *	1/2011	Komuro et al.	D14/422
D400,515	S *	11/1998	Shima	D14/433	D635,978	S *	4/2011	Chen	D14/434
D401,614	S *	11/1998	Moriyama	D18/36	D636,775	S *	4/2011	Kuroda et al.	D14/422
D407,712	S *	4/1999	Hasegawa	D14/422	D636,776	S *	4/2011	Kuroda et al.	D14/422
D413,574	S *	9/1999	Goto	D13/146	D637,191	S *	5/2011	Kuroda et al.	D14/422
D415,128	S *	10/1999	Kitera	D14/422	D638,018	S *	5/2011	Kuroda et al.	D14/422
D424,608	S *	5/2000	Yorifuji et al.	D18/40	D644,265	S *	8/2011	Inada et al.	D18/50
D430,882	S *	9/2000	Tsai	D14/434	D678,889	S *	3/2013	Chiu	D14/453
D435,849	S *	1/2001	Tasi	D14/422	D682,834	S *	5/2013	Ishikawa et al.	D14/422
D443,860	S *	6/2001	Ogasawara	D13/146	D686,212	S *	7/2013	Yamano et al.	D14/422
6,674,637	B2 *	1/2004	Shin et al.	361/679.41	D693,349	S *	11/2013	Morgan et al.	D14/434
6,707,584	B1 *	3/2004	Morita	358/498	D699,726	S *	2/2014	Seki et al.	D14/422
6,741,462	B2 *	5/2004	Kamphuis et al.	361/679.02	2004/0012922	A1 *	1/2004	Kamphuis et al.	361/686
D554,582	S *	11/2007	Iseki	D13/108	2006/0250767	A1 *	11/2006	Brophy et al.	361/686
					2007/0072485	A1 *	3/2007	Lin et al.	439/527
					2010/0211709	A1 *	8/2010	Chen et al.	710/73

* cited by examiner

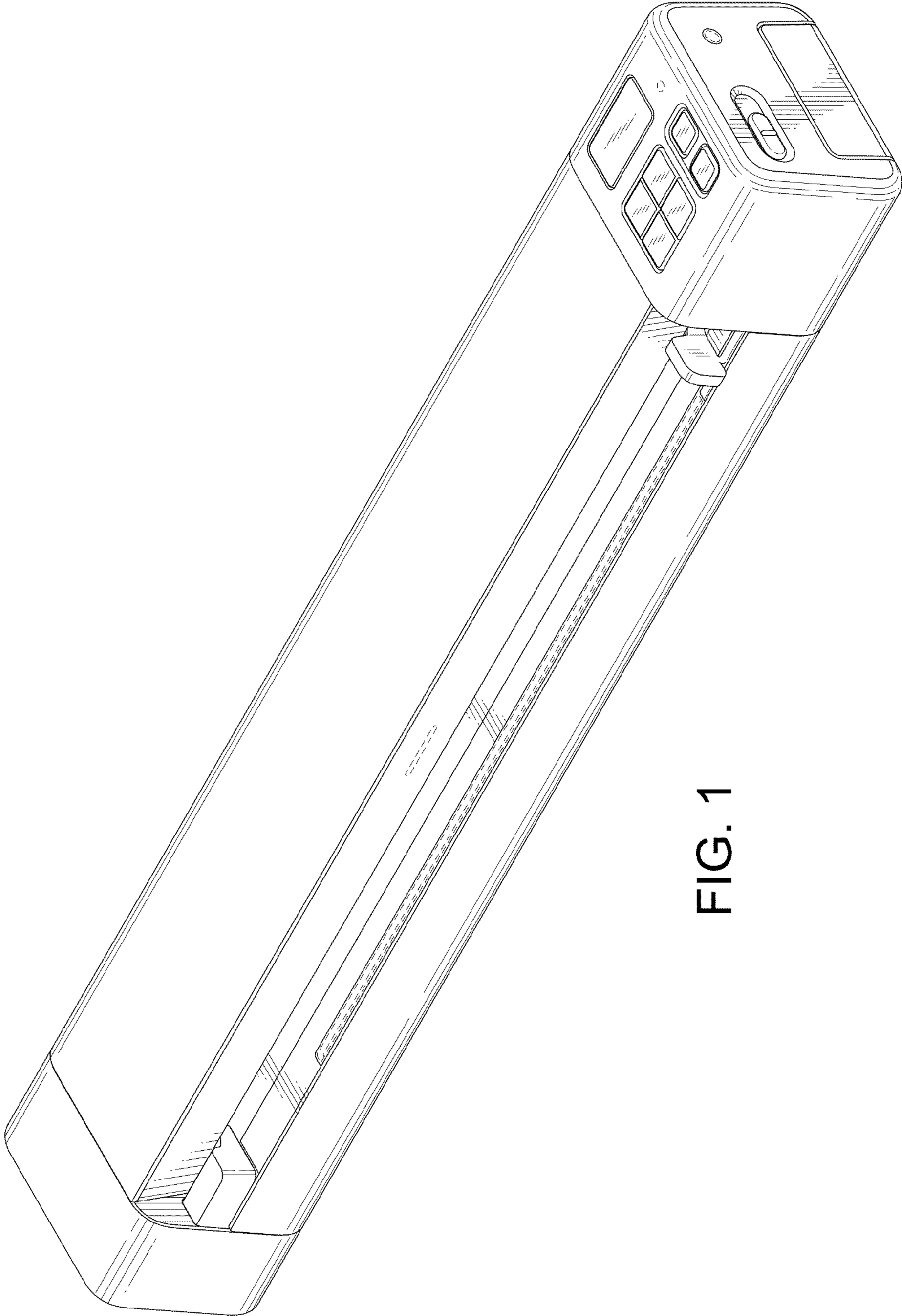


FIG. 1

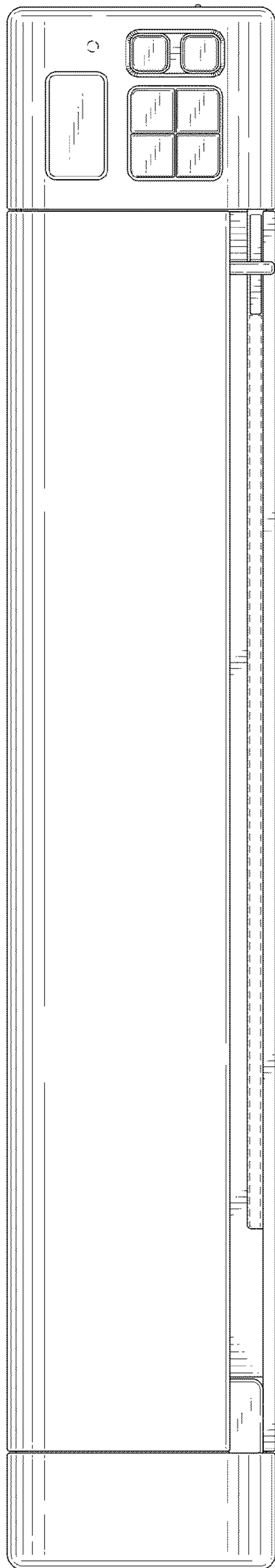


FIG. 3

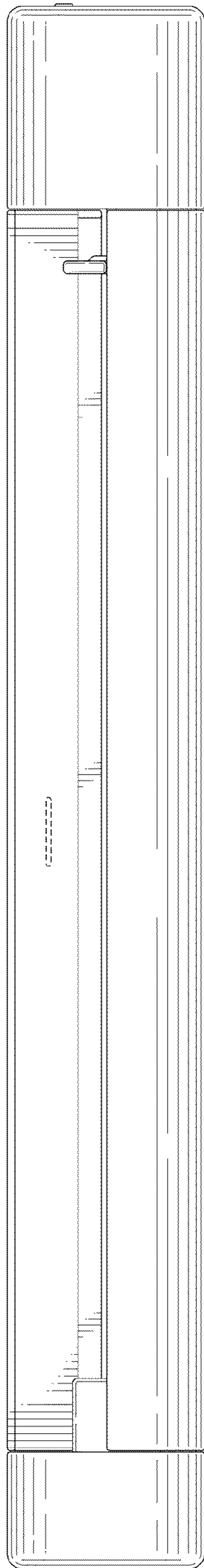


FIG. 2

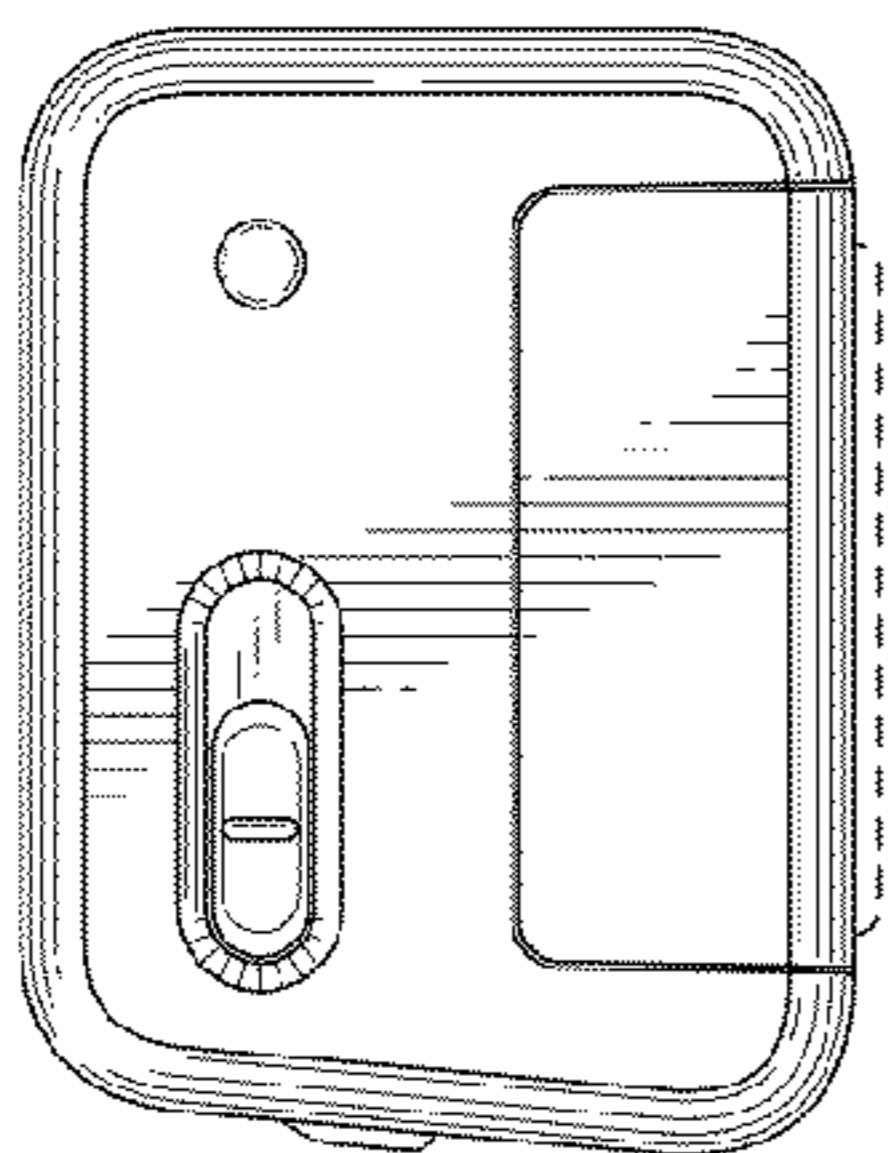


FIG. 4

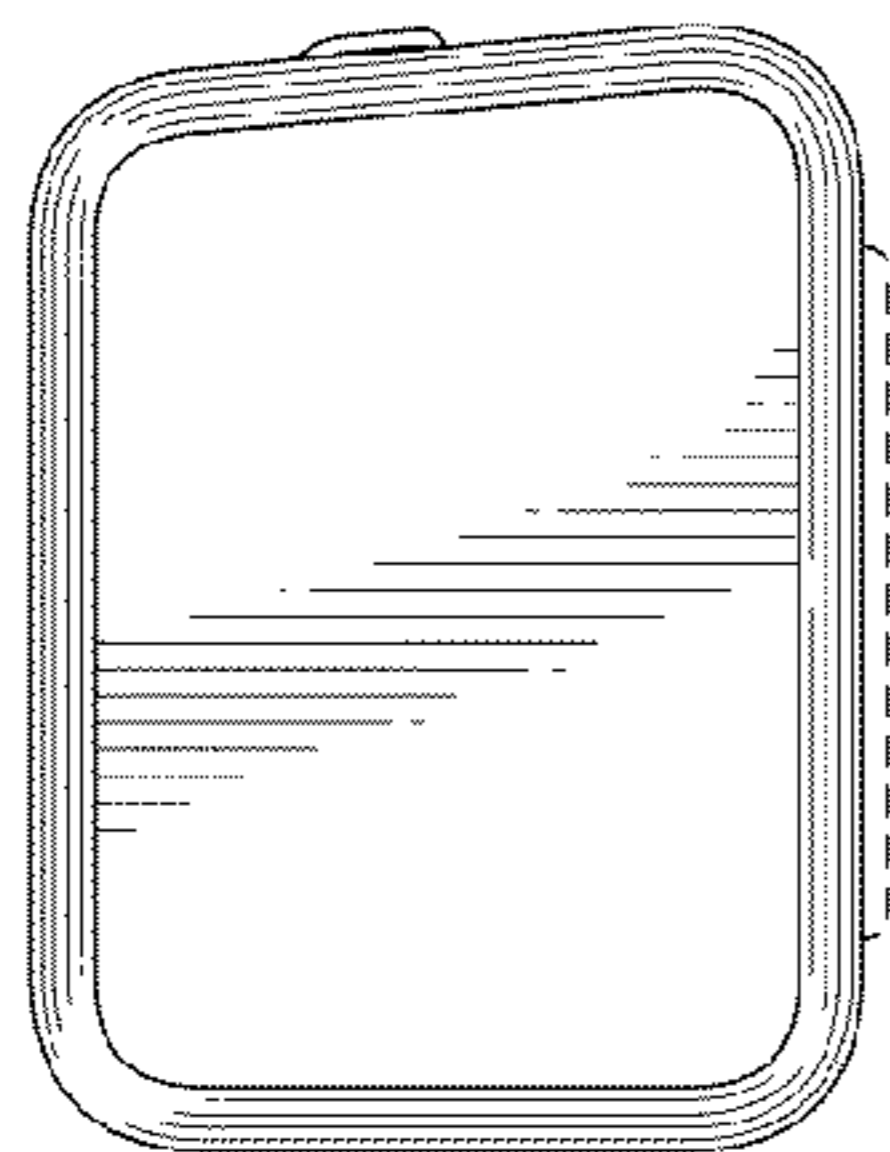


FIG. 5

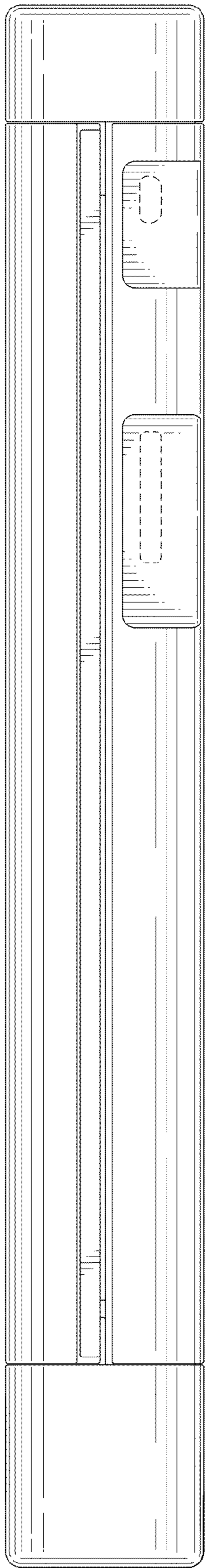


FIG. 6

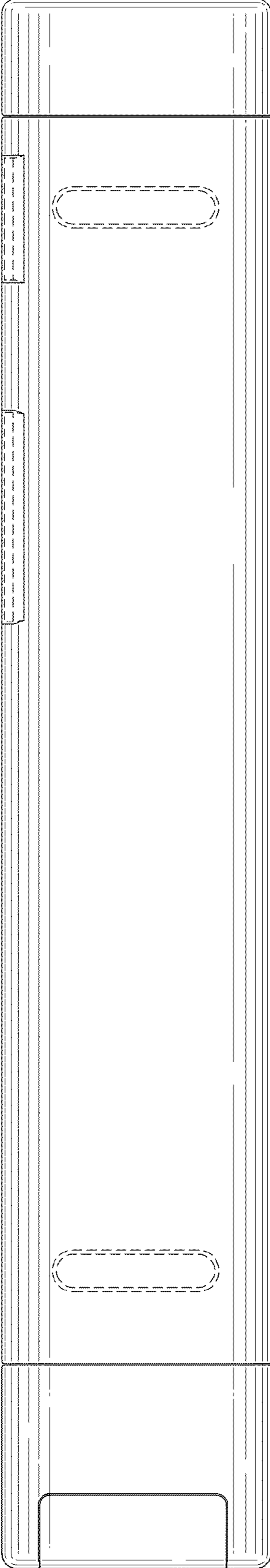


FIG. 7